



US00D454317S

(12) **United States Design Patent**  
**Enneguess, III**

(10) **Patent No.:** **US D454,317 S**

(45) **Date of Patent:** **\*\* Mar. 12, 2002**

(54) **SHADOW BOX BELT BUCKLE**

(76) Inventor: **Daniel Enneguess, III**, P.O. Box 916,  
Monument Beach, MA (US)  
02553-0916

(\*\*) Term: **14 Years**

(21) Appl. No.: **29/100,194**

(22) Filed: **Feb. 4, 1999**

(51) **LOC (7) Cl.** ..... **02-07**

(52) **U.S. Cl.** ..... **D11/232**

(58) **Field of Search** ..... D11/200, 238,  
D11/44, 231, 232, 233, 224, 241; D2/629,  
631, 632; 24/163 R, 163 K, 163; 63/20

(56) **References Cited**

**U.S. PATENT DOCUMENTS**

|             |   |         |                   |       |          |
|-------------|---|---------|-------------------|-------|----------|
| D73,130 S   | * | 7/1927  | Hobe              | ..... | D11/224  |
| 2,426,571 A | * | 8/1947  | Wynne, Sr. et al. | ..... | 63/20    |
| D310,052 S  | * | 8/1990  | Kohout et al.     | ..... | D11/241  |
| 4,972,557 A | * | 11/1990 | Williams          | ..... | 24/163 K |

\* cited by examiner

*Primary Examiner*—Ralf Seifert

(74) *Attorney, Agent, or Firm*—Thomas A. Kahrl Esq

(57) **CLAIM**

I claim the ornamental design for shadow box belt buckle,  
as shown and described.

**DESCRIPTION**

FIG. 1 is a perspective view of a shadow box belt buckle  
showing my new design;

FIG. 2 is a top plan view;

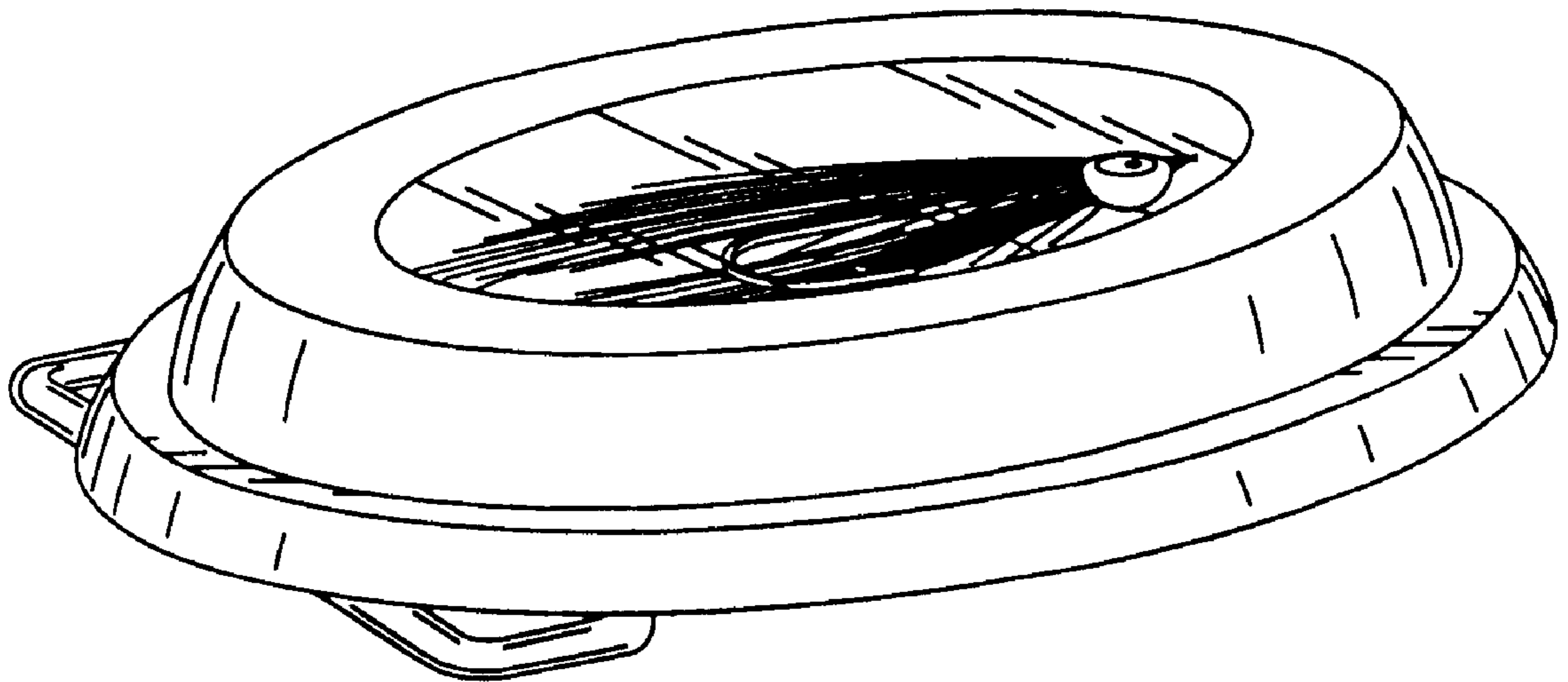
FIG. 3 a side elevational view;

FIG. 4 is a cross sectional view taken along lines 4—4 of  
FIG. 2; and,

FIG. 5 is a bottom elevational view.

The dominant feature of the invention resides in the design  
of a belt buckle featuring a miniature salt water fishing fly,  
“Lefty’s Deceiver” tied by Lefty Kreh, fixed in lucyte  
imbedment in the manner of a shadow box.

**1 Claim, 2 Drawing Sheets**



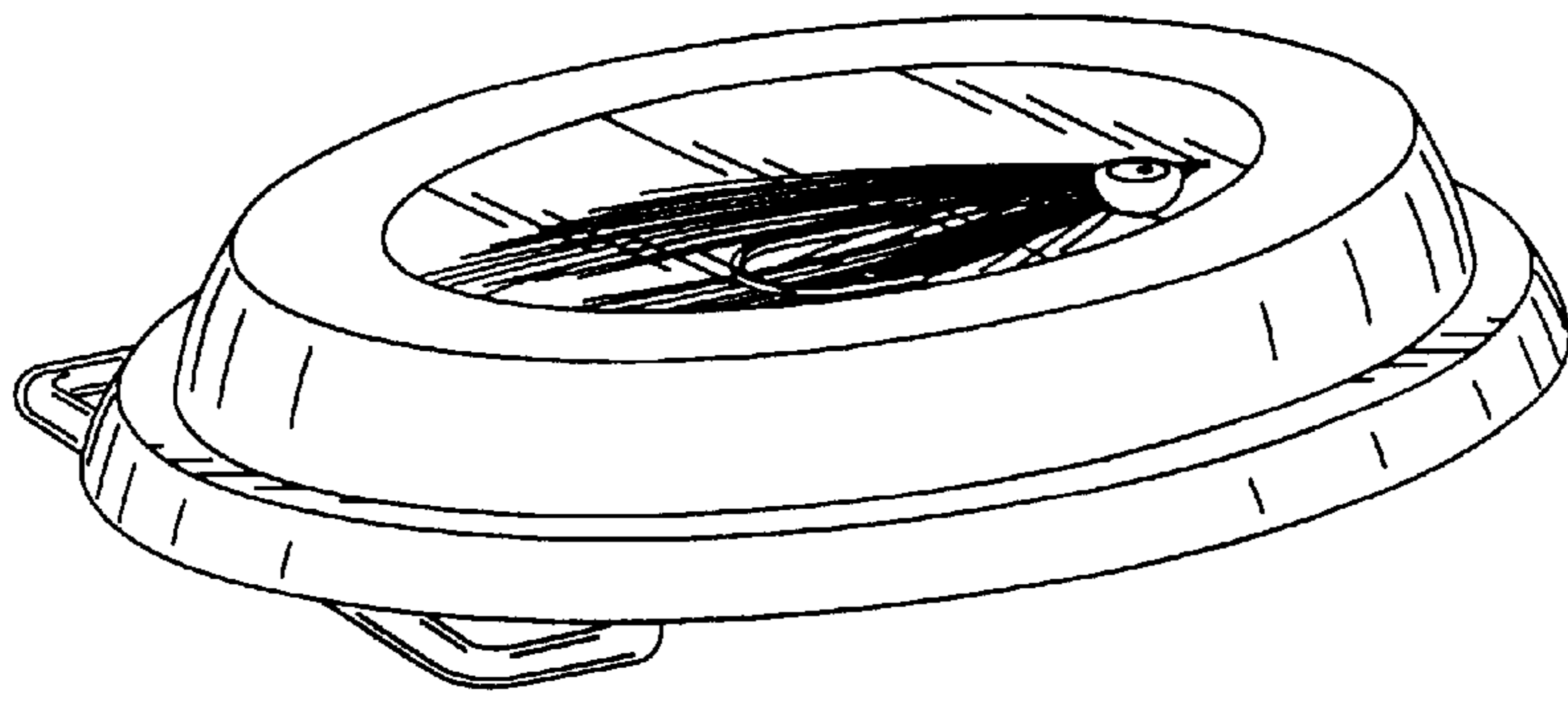


FIG. 1

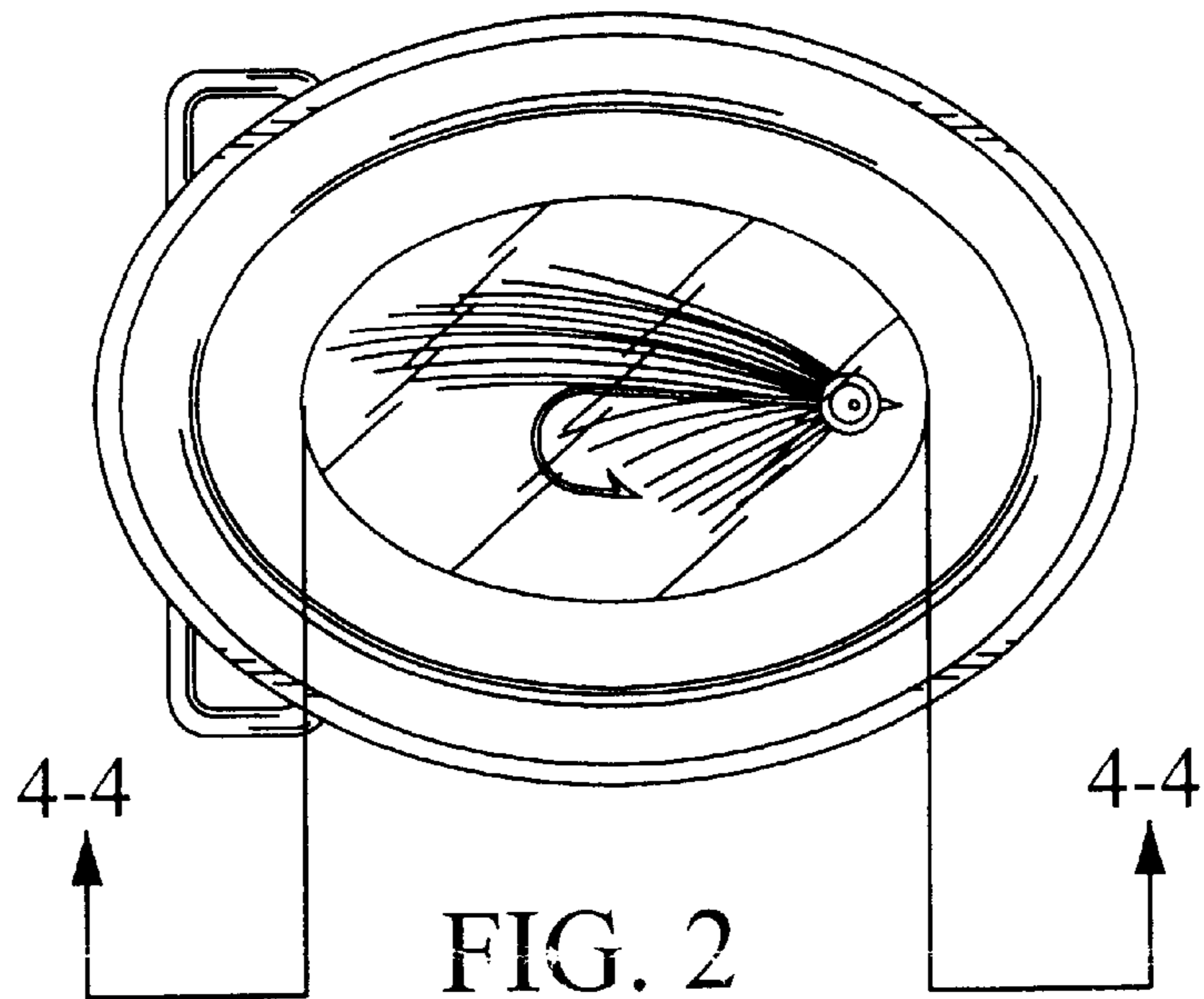


FIG. 2

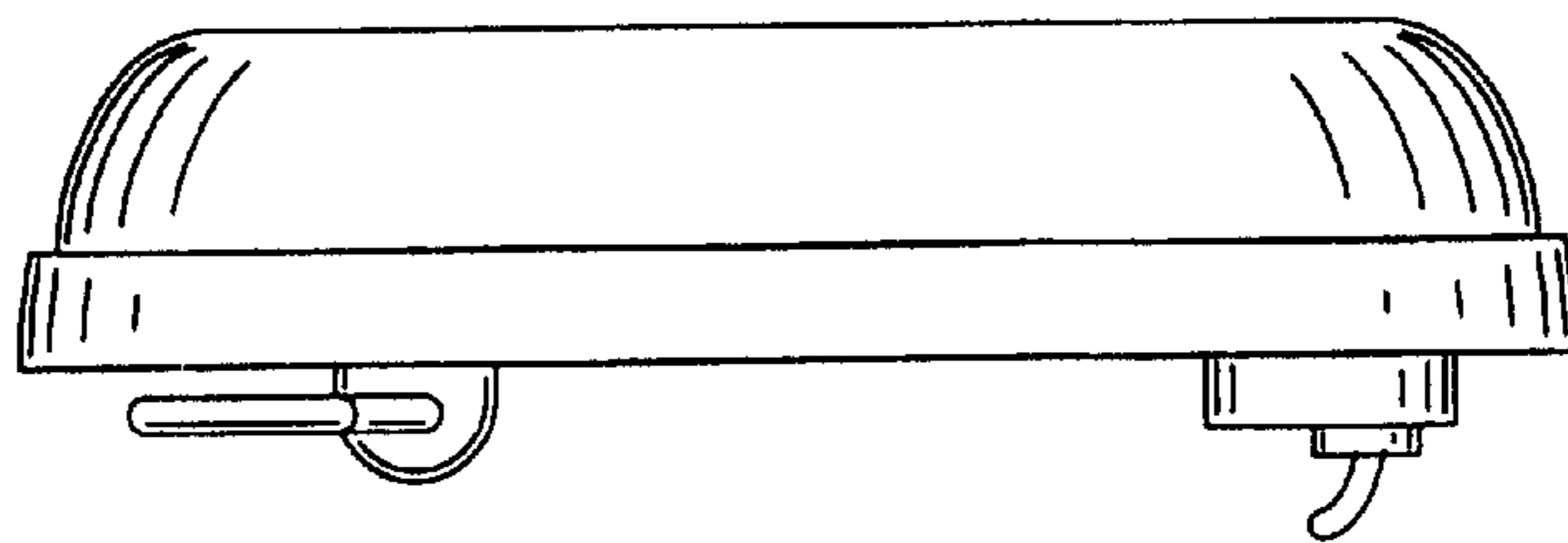


FIG. 3

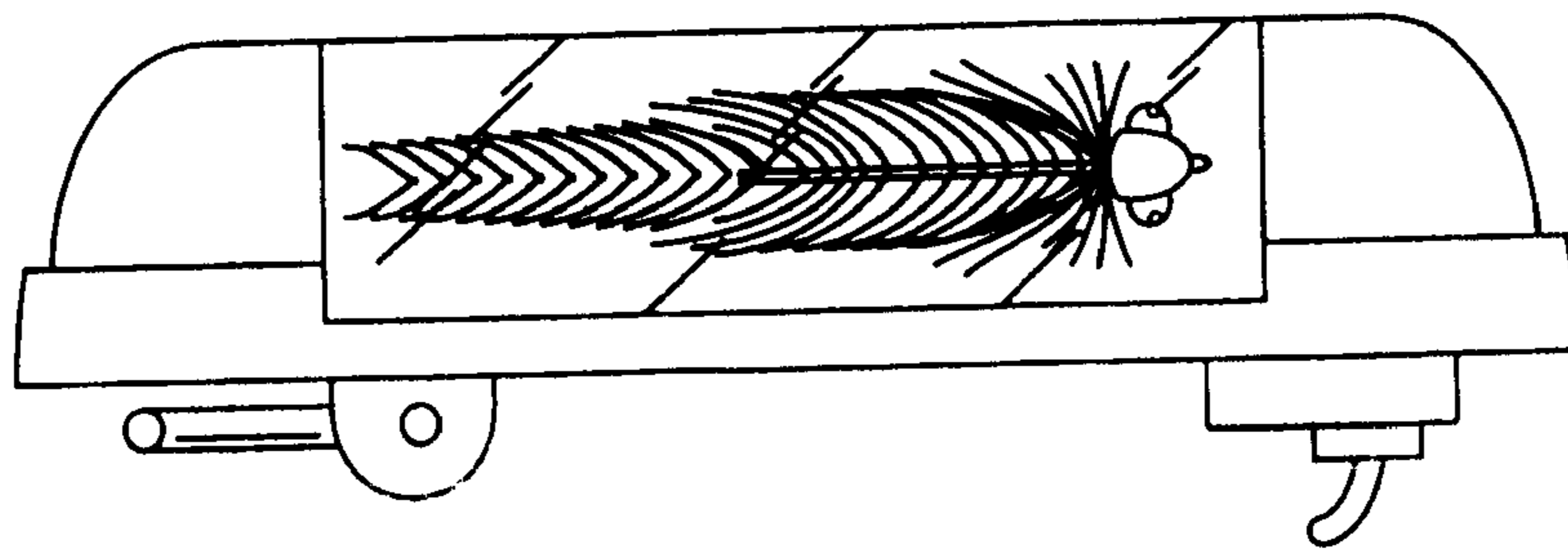


FIG. 4

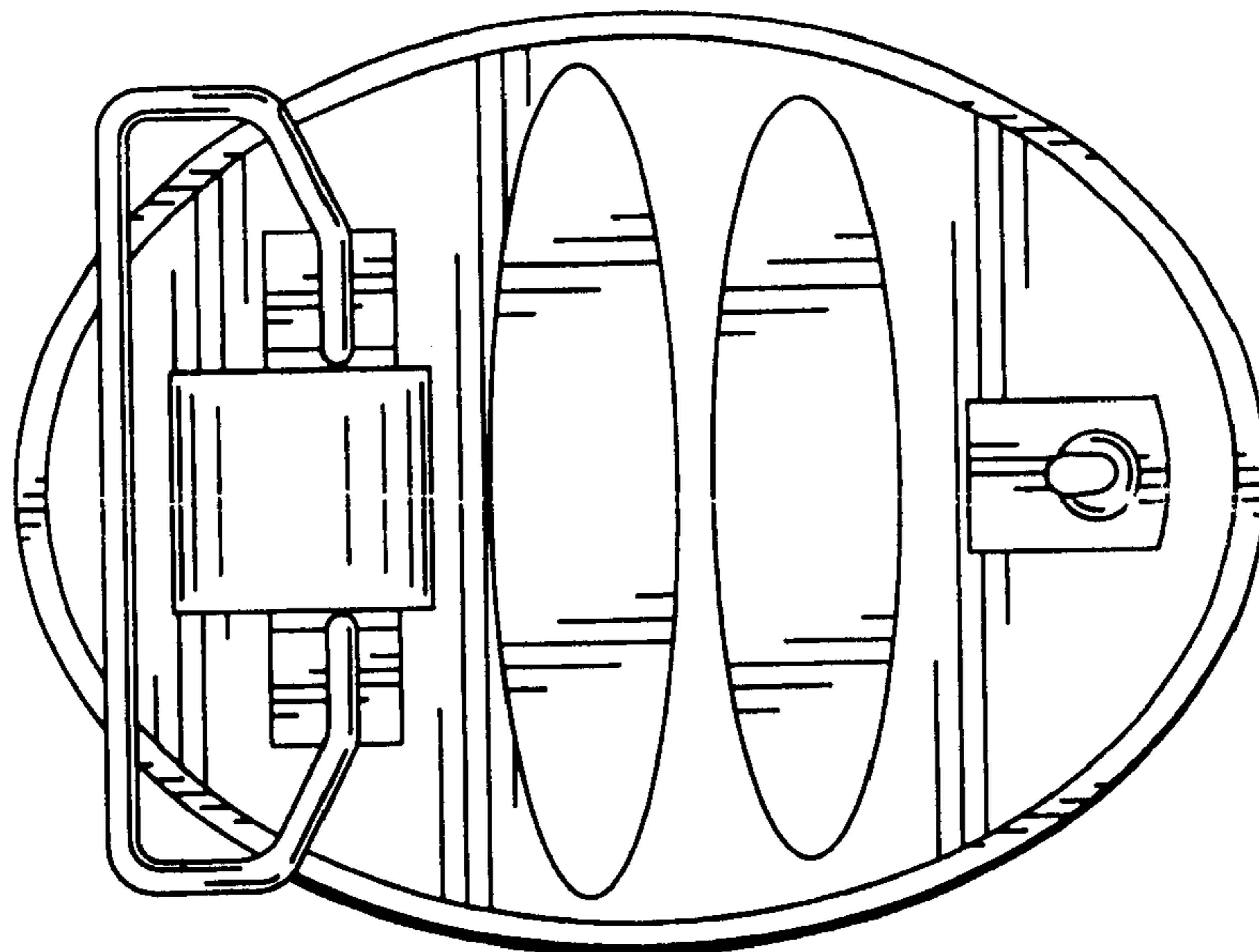


FIG. 5