



US00D454313S

(12) **United States Design Patent**
Okamoto et al.

(10) **Patent No.:** **US D454,313 S**
(45) **Date of Patent:** **** Mar. 12, 2002**

(54) **AUTOMATIC TABLET BOTTLING MACHINE**

D334,896 S * 4/1993 Shimizu et al. D10/97

* cited by examiner

(75) Inventors: **Yasutoshi Okamoto; Akihiro Mochizuki**, both of Moriguchi (JP)

Primary Examiner—Antoine Duval Davis
(74) *Attorney, Agent, or Firm*—Weingarten, Schurgin, Gagnebin & Lebovici LLP

(73) Assignee: **Sanyo Electric Co., Ltd.**, Osaka-fu (JP)

(**) Term: **14 Years**

(57) **CLAIM**

(21) Appl. No.: **29/137,503**

The ornamental design for automatic tablet bottling machine, as shown and described.

(22) Filed: **Feb. 22, 2001**

DESCRIPTION

(30) **Foreign Application Priority Data**

Aug. 23, 2000 (JP) 2000-023212

FIG. 1 is a perspective view of automatic tablet bottling machine at the upper, right-side direction;
FIG. 2 is a front view thereof;
FIG. 3 is a rear view thereof;
FIG. 4 is a top view thereof;
FIG. 5 is a bottom view thereof;
FIG. 6 is a left-side view thereof;
FIG. 7 is a right-side view thereof; and,
FIG. 8 is a perspective view showing the status of use of automatic tablet bottling machine when tablet cases are used.

(51) **LOC (7) Cl.** **10-04**

(52) **U.S. Cl.** **D10/97; D15/145; D24/111**

(58) **Field of Search** **D10/97; D15/145; D24/111; 414/403, 675; 453/30, 33, 58; 222/57, 190; 210/169; 221/13, 272; 422/268**

(56) **References Cited**

U.S. PATENT DOCUMENTS

4,047,620 A * 9/1977 Deininger 414/675

1 Claim, 5 Drawing Sheets

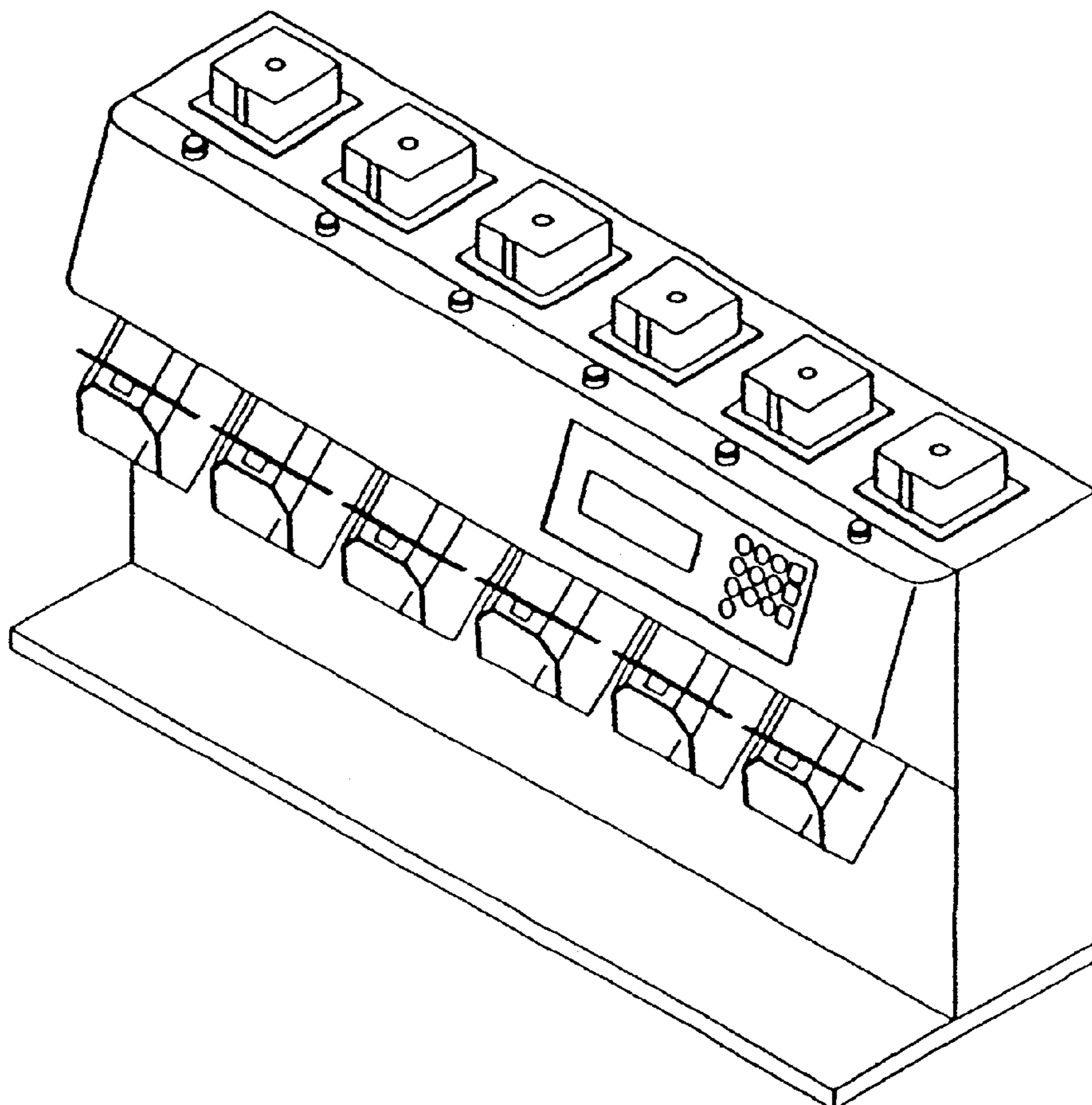


Fig. 1

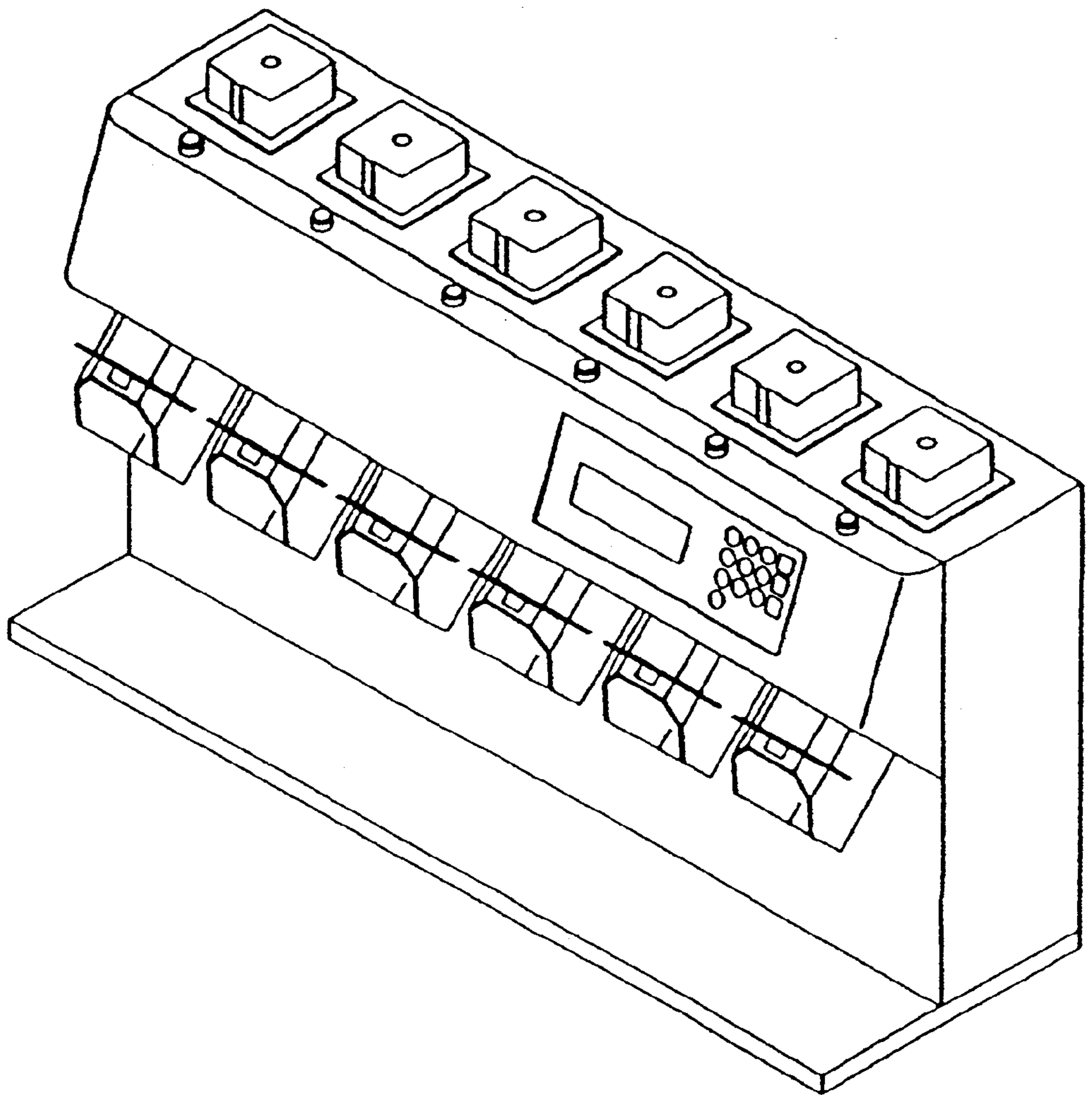


Fig. 2

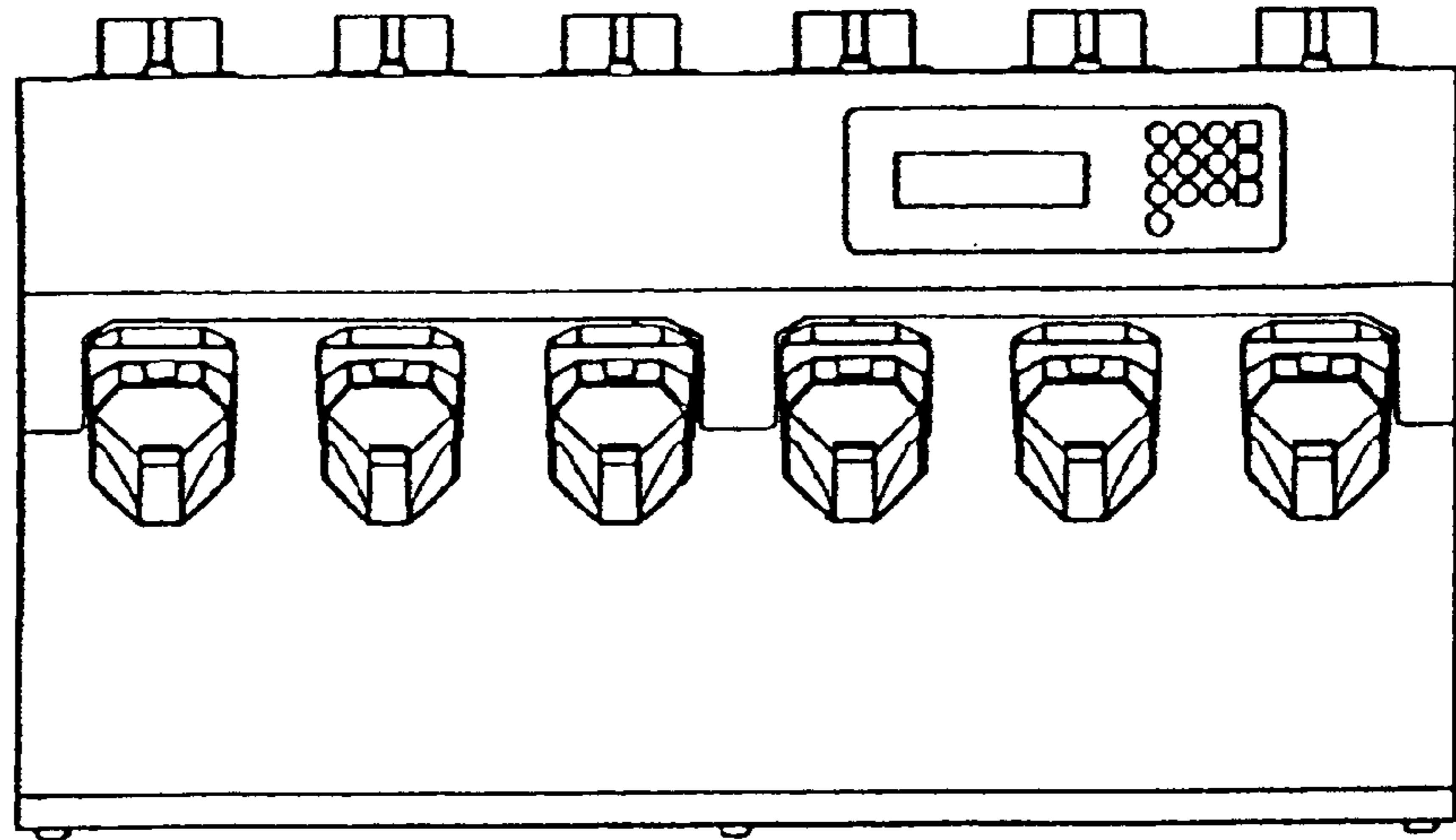


Fig. 3

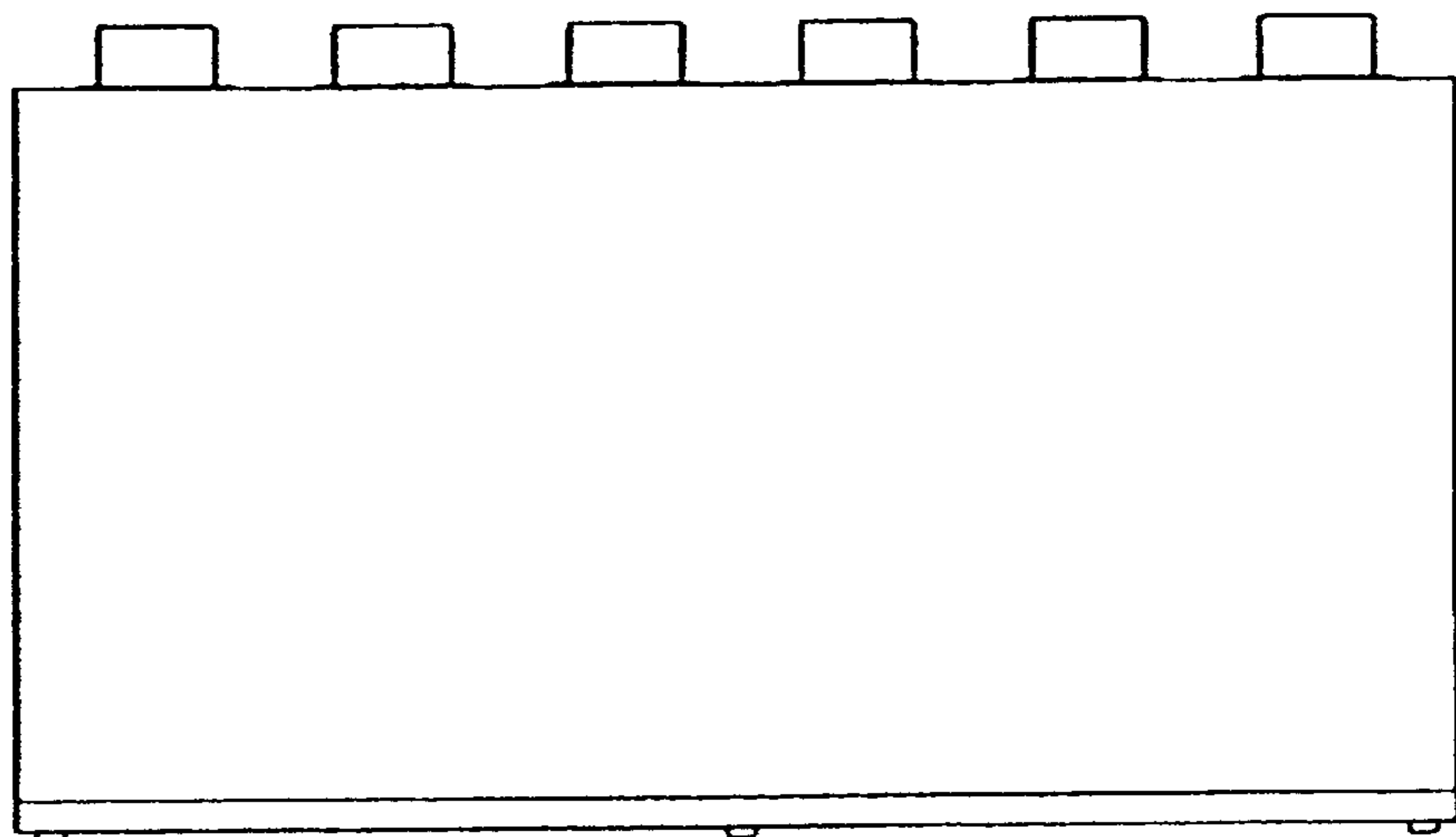


Fig. 4

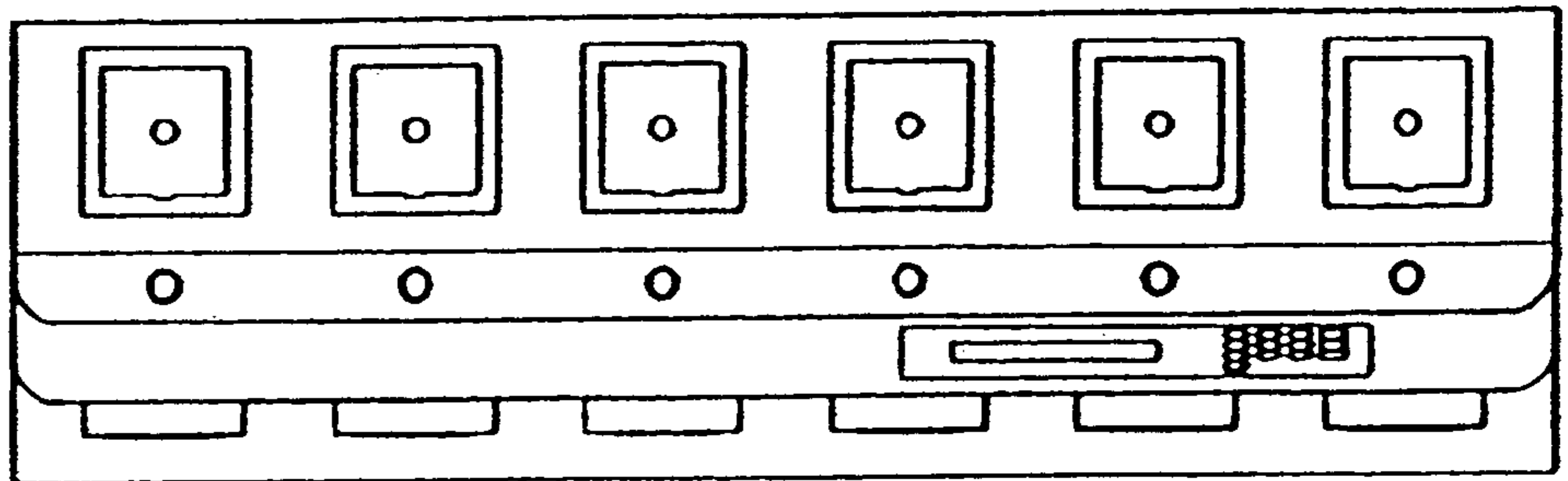


Fig. 5

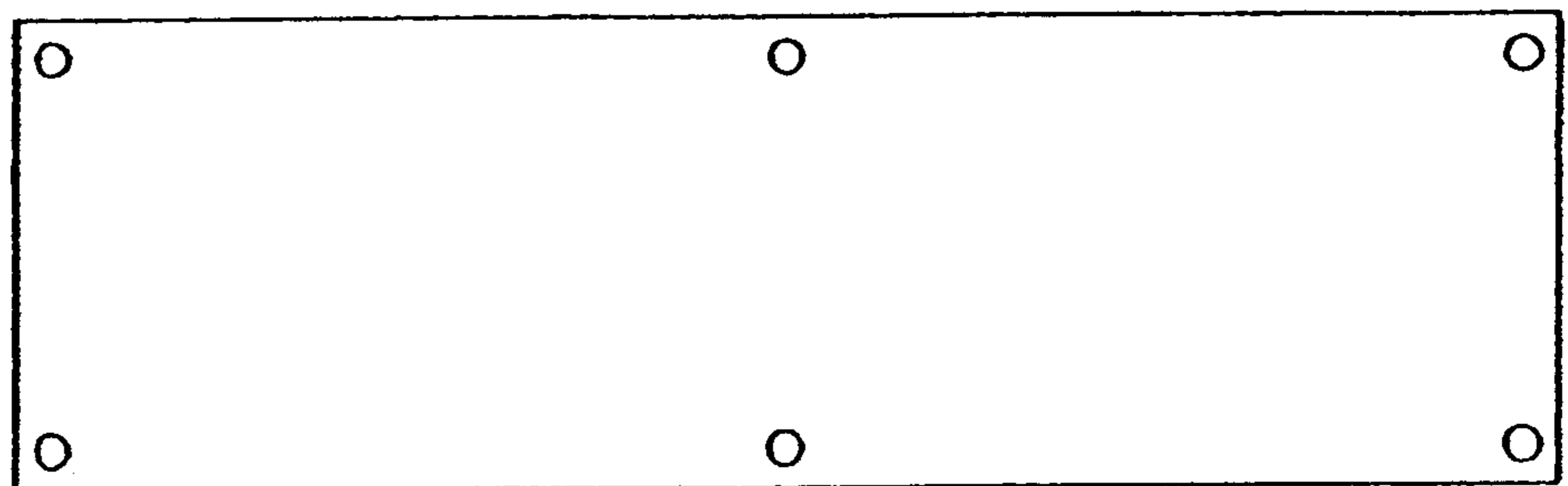


Fig. 6

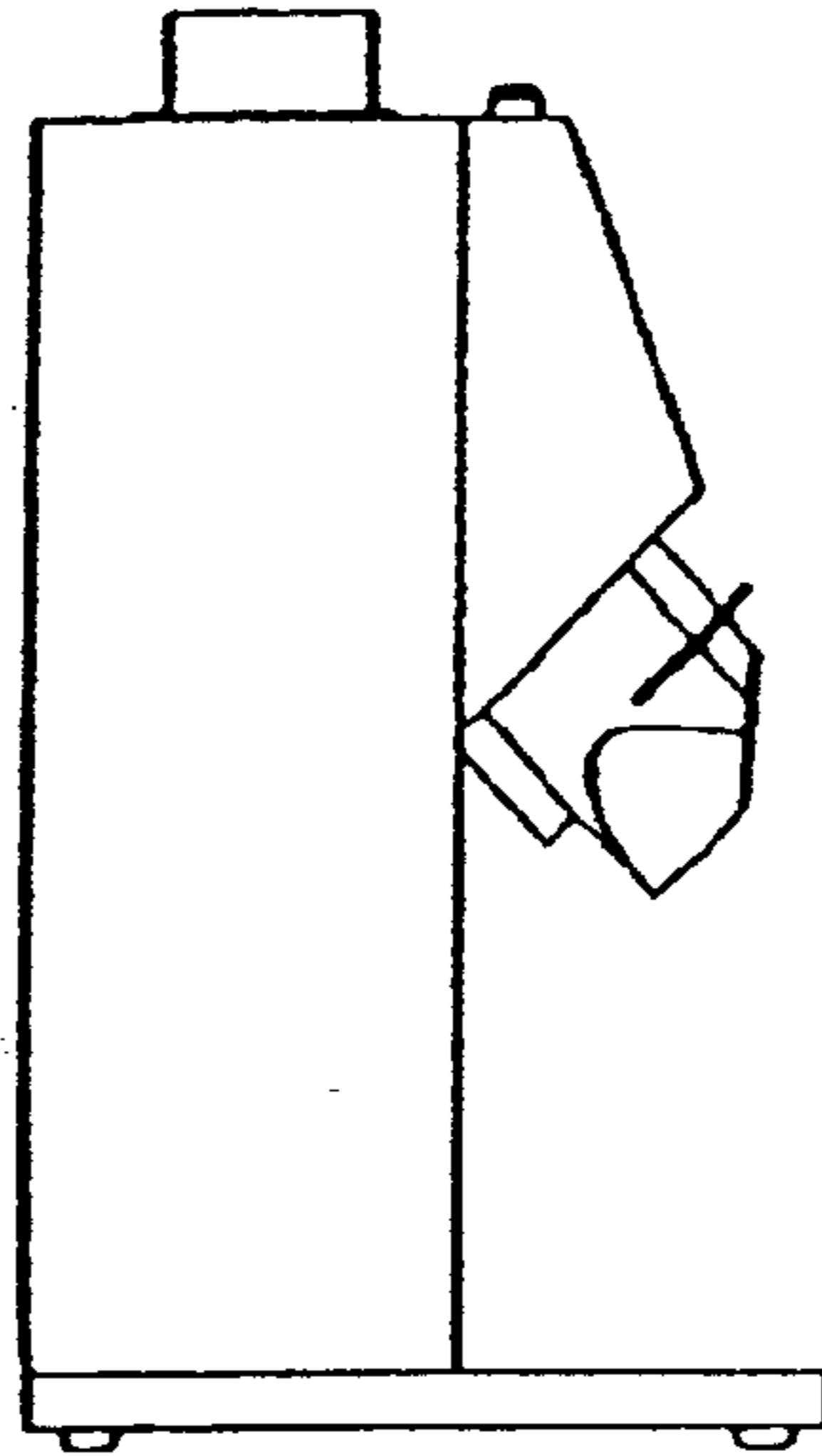


Fig. 7

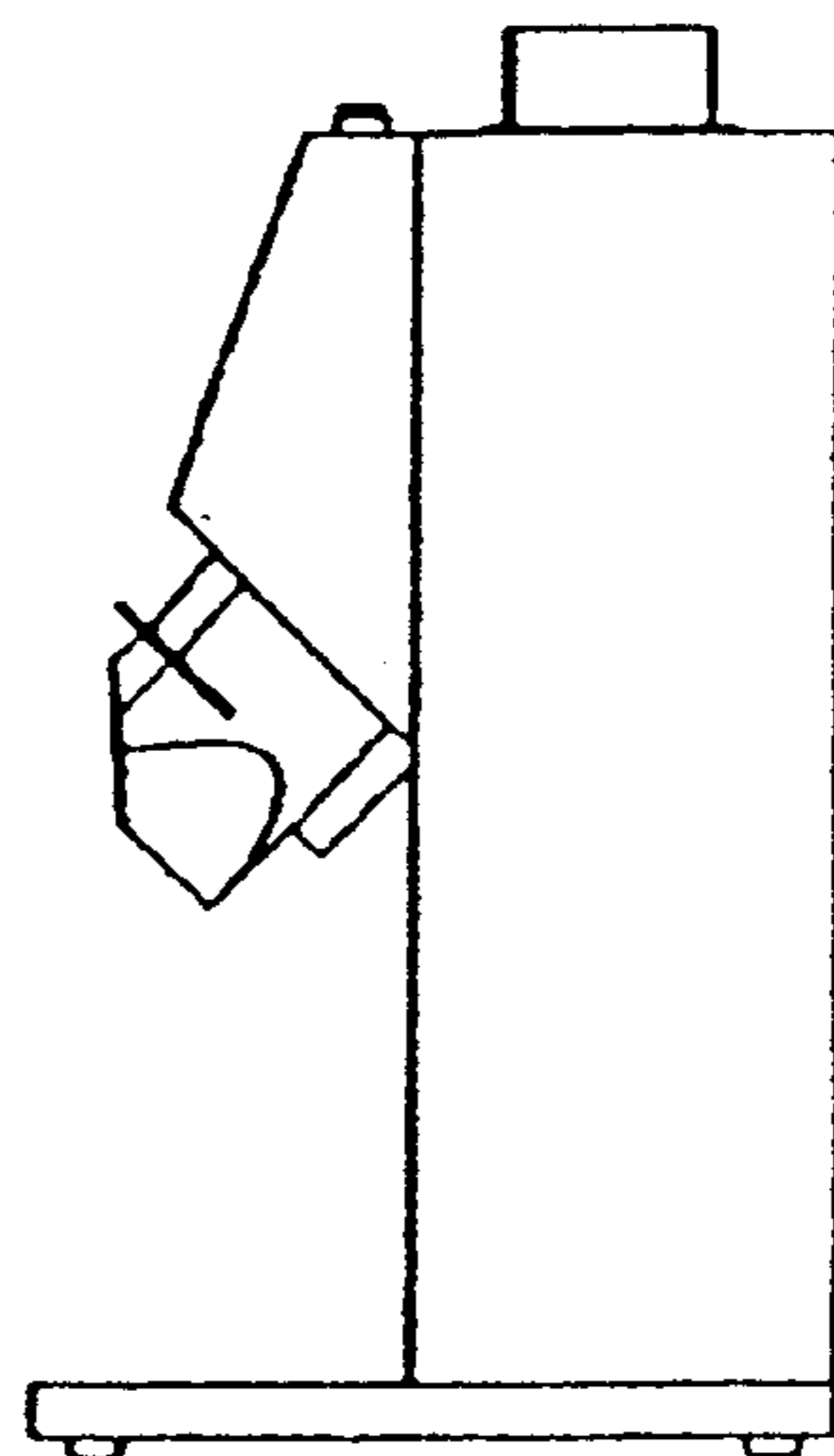
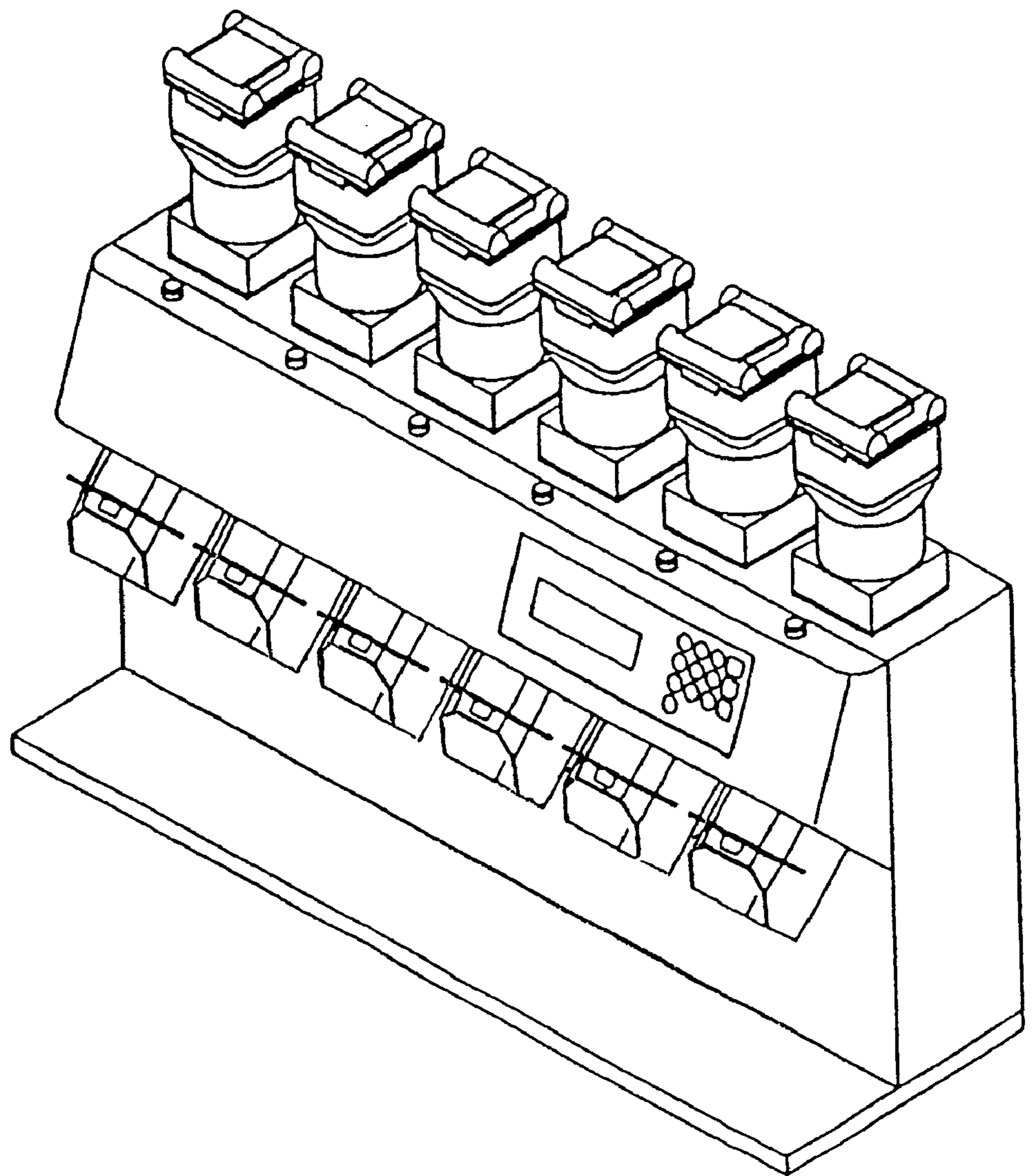


Fig. 8



UNITED STATES PATENT AND TRADEMARK OFFICE
CERTIFICATE OF CORRECTION

PATENT NO. : Des. 454,313 S
DATED : March 12, 2002
INVENTOR(S) : Yasutoshi Okamoto et al.

Page 1 of 1

It is certified that error appears in the above-identified patent and that said Letters Patent is hereby corrected as shown below:

Title page,

Item [75], Inventors, "**Moriguchi**" should read -- **Moriguchi-shi** --.

Signed and Sealed this

Seventeenth Day of December, 2002

A handwritten signature in black ink, appearing to read "James E. Rogan", written over a horizontal line.

JAMES E. ROGAN
Director of the United States Patent and Trademark Office