



US00D454307S

(12) **United States Design Patent**  
**Lindsey**

(10) **Patent No.:** **US D454,307 S**

(45) **Date of Patent:** **\*\* Mar. 12, 2002**

(54) **CAN TOP WITH ROTATABLE TAB OPENING**

D383,978 S \* 9/1997 Loeb ..... D9/445  
D419,448 S \* 1/2000 Kick ..... D9/438

(76) Inventor: **Clarence Russell Lindsey**, P.O. Box  
6564, Big Bear Lake, CA (US) 92315

\* cited by examiner

(\*\*) Term: **14 Years**

*Primary Examiner*—Dominic Simone  
(74) *Attorney, Agent, or Firm*—Goldstein Law Offices

(21) Appl. No.: **29/139,969**

(57) **CLAIM**

(22) Filed: **Apr. 9, 2001**

The ornamental design for a can top with rotatable tab opening, as shown and described.

(51) **LOC (7) Cl.** ..... **09-07**

**DESCRIPTION**

(52) **U.S. Cl.** ..... **D9/438; D9/435; D9/454**

(58) **Field of Search** ..... D9/434, 435, 438,  
D9/454; 220/243, 257, 269–273, 716

FIG. 1 is a perspective view of a can top with rotatable tab opening in full lines with a can shown in broken lines representing environmental association matter being for illustrative purposes only and forming no part of the claimed invention.

(56) **References Cited**

**U.S. PATENT DOCUMENTS**

3,362,572	A	*	1/1968	Pelley	.....	220/270
3,438,533	A	*	4/1969	Hanisch et al.	.....	220/257
D238,150	S	*	12/1975	Cudzik	.....	D9/438
D274,792	S	*	7/1984	Price	.....	D9/438
4,913,304	A	*	4/1990	Corey	.....	220/243
D311,140	S	*	10/1990	Nelson	.....	D9/454
5,108,003	A	*	4/1992	Granofsky	.....	220/269 X
5,647,497	A	*	7/1997	Labbe	.....	222/257

FIG. 2 is a top plan view of the can top with rotatable tab opening.

FIG. 3 is a bottom plan view thereof; and,

FIG. 4 is a front elevational view thereof, the rear, right side, and left side elevational views being mirror images of the front view.

**1 Claim, 2 Drawing Sheets**

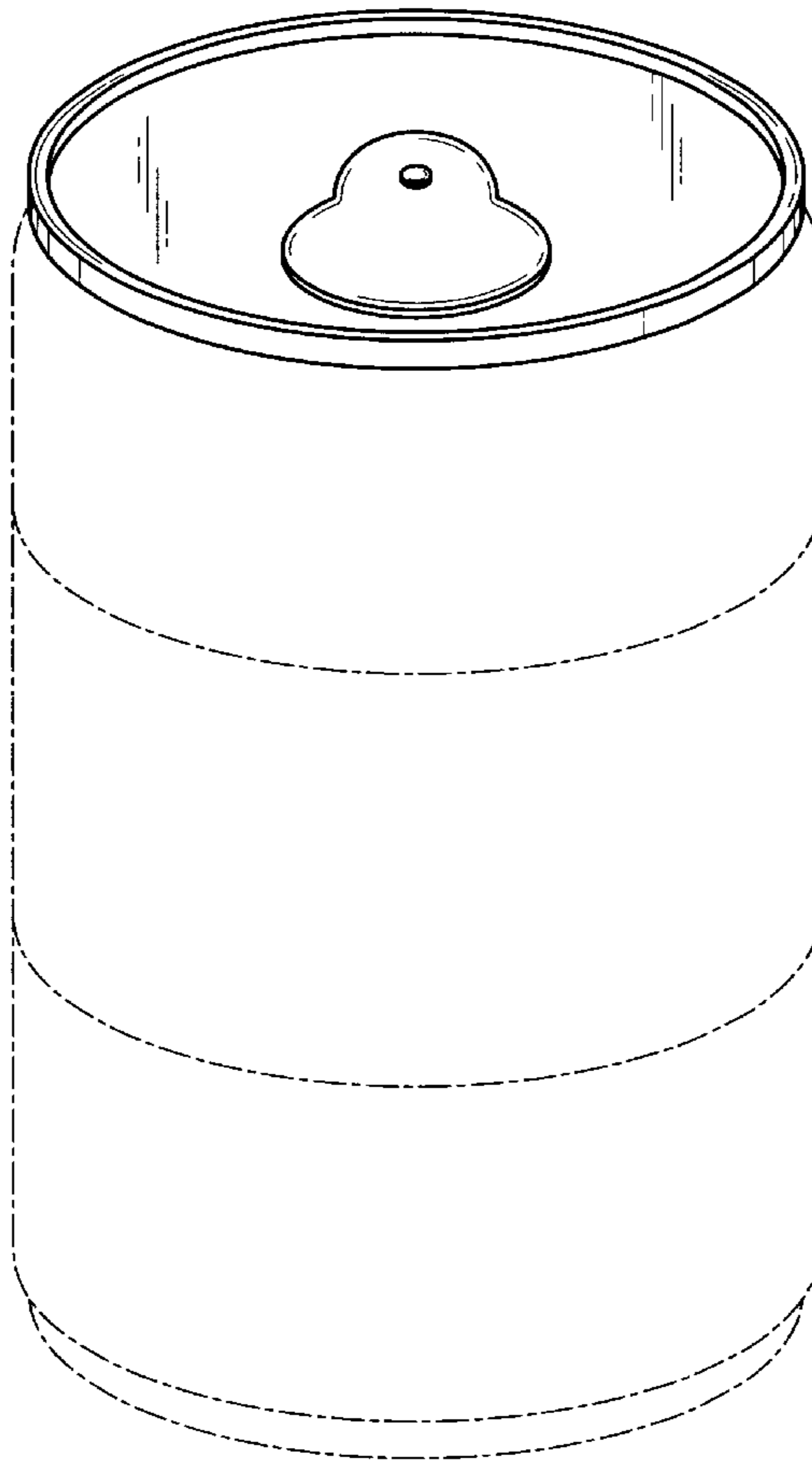


Fig. 1

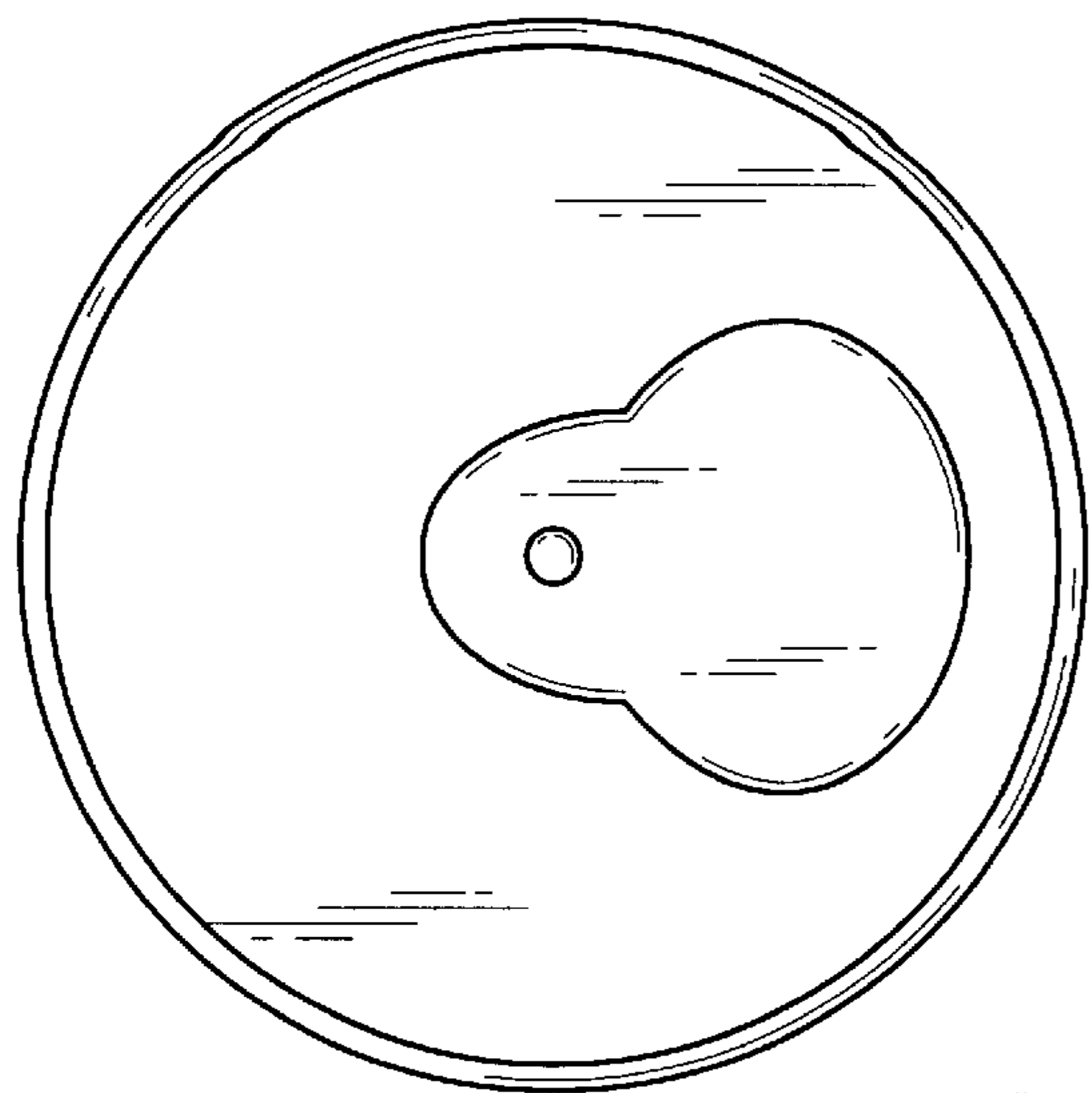
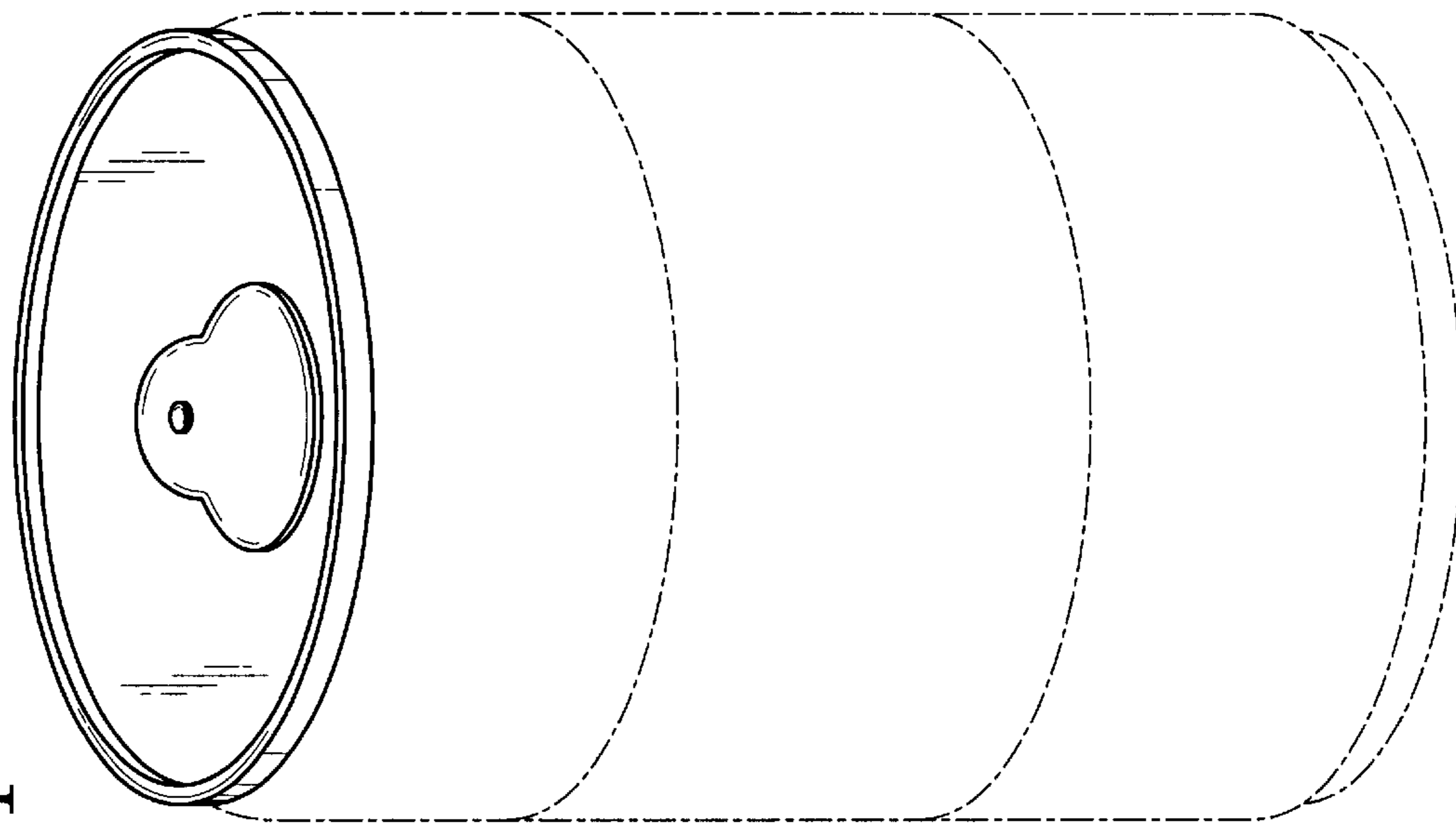


Fig. 2

Fig. 3

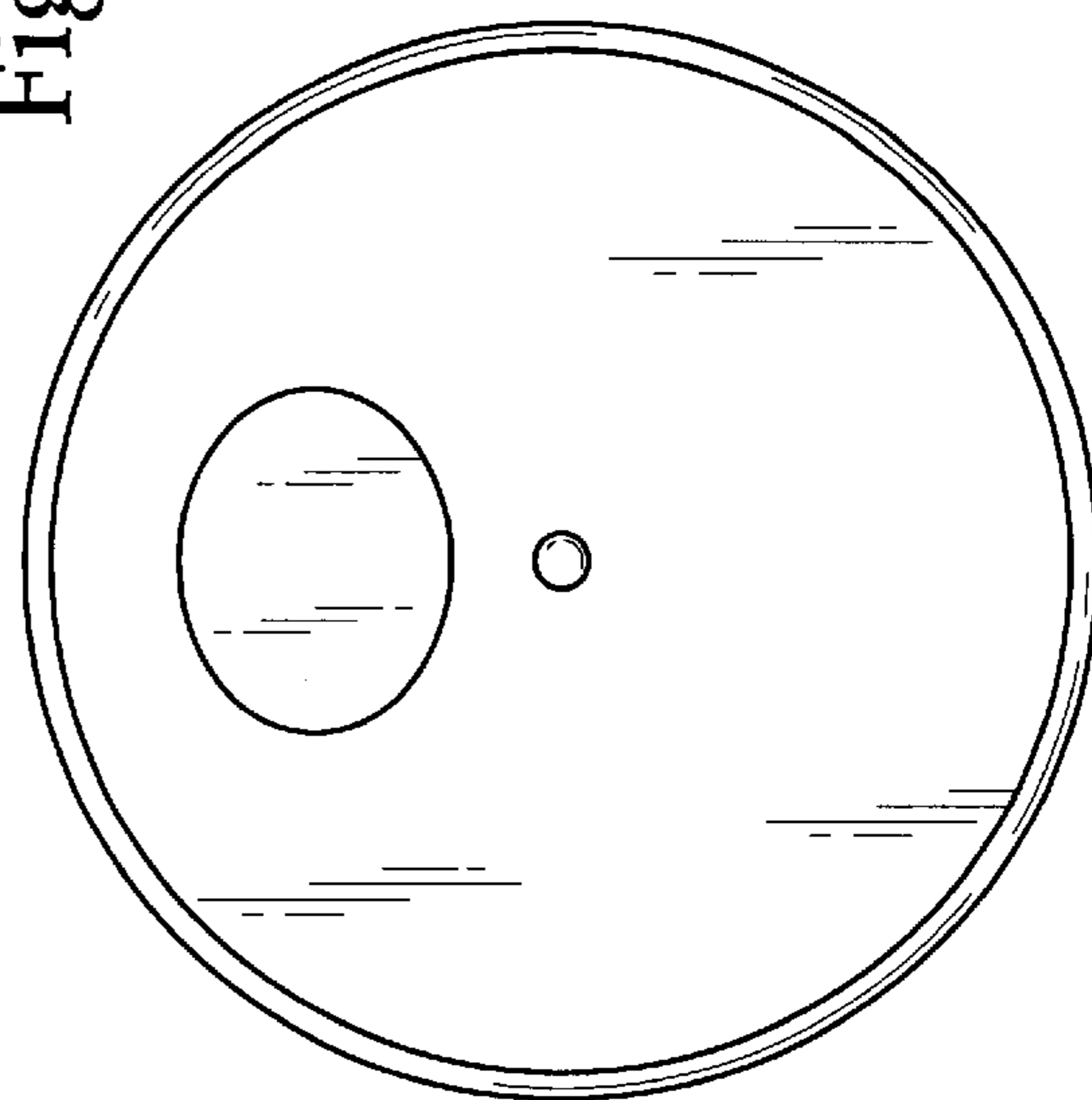




Fig. 4