



US00D454304S

(12) **United States Design Patent**  
**Kim et al.**

(10) **Patent No.:** **US D454,304 S**

(45) **Date of Patent:** **\*\* Mar. 12, 2002**

(54) **BOWL FOR INSTANT NOODLES**  
(75) Inventors: **Kil-Taeg Kim**, Seoul; **Kwang-Bo Ahn**,  
Kyungki-do, both of (KR)

D239,999 S \* 5/1976 Christian ..... D9/429  
4,446,969 A \* 5/1984 Tyler ..... 229/400  
D288,065 S \* 2/1987 Tyler ..... D9/429  
D414,413 S \* 9/1999 Brown ..... D9/429

(73) Assignee: **Nong Shim Co., Ltd.** (KR)

\* cited by examiner

(\*\*) Term: **14 Years**

*Primary Examiner*—Prabhakar Deshmukh

(74) *Attorney, Agent, or Firm*—Bourque & Associates, PA

(21) Appl. No.: **29/140,335**

(57) **CLAIM**

(22) Filed: **Apr. 17, 2001**

The ornamental design for a bowl for instant noodles, as shown and described.

(51) **LOC (7) Cl.** ..... **09-03**

**DESCRIPTION**

(52) **U.S. Cl.** ..... **D9/429; D9/431**

(58) **Field of Search** ..... D9/428, 429, 425,  
D9/424, 431; D7/608, 601, 641; 229/400-406,  
407, 939, 915; 220/674, 675, 669, 670,  
656, 659; 206/499, 501, 502, 821

FIG. 1 is a perspective view of the bowl for instant noodles according to the present invention;

FIG. 2 is a side view of the bowl for instant noodles according to the present invention, each side having the same view;

FIG. 3 is a top view of the interior of bowl for instant noodles of the present invention; and,

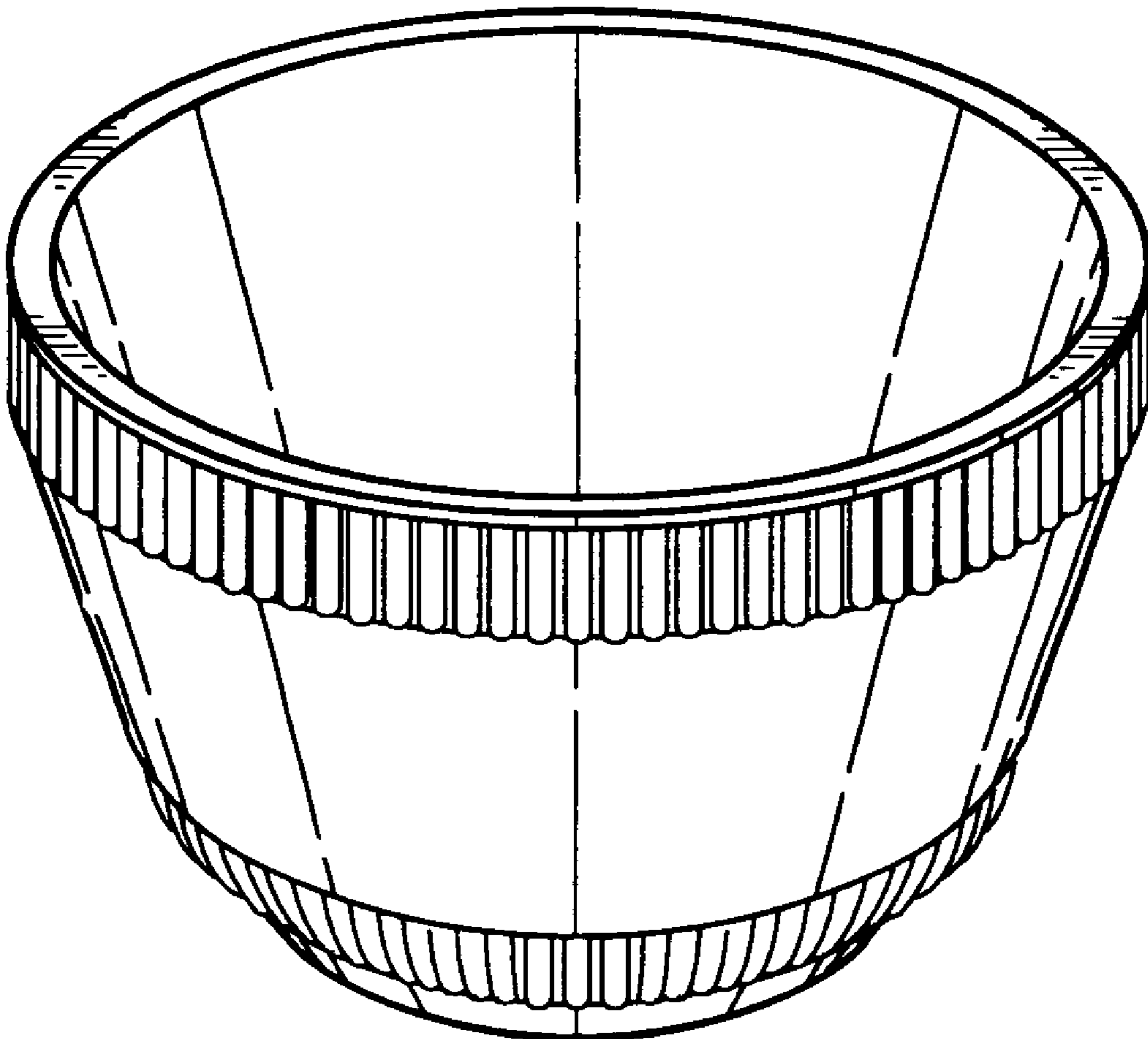
FIG. 4 is a bottom view of the bowl for instant noodles of the present invention.

(56) **References Cited**

**U.S. PATENT DOCUMENTS**

3,094,240 A \* 6/1963 Wanderer ..... 229/400  
D226,351 S \* 2/1973 Arenson ..... D9/429  
3,836,042 A \* 9/1974 Petitto ..... 229/400

**1 Claim, 2 Drawing Sheets**



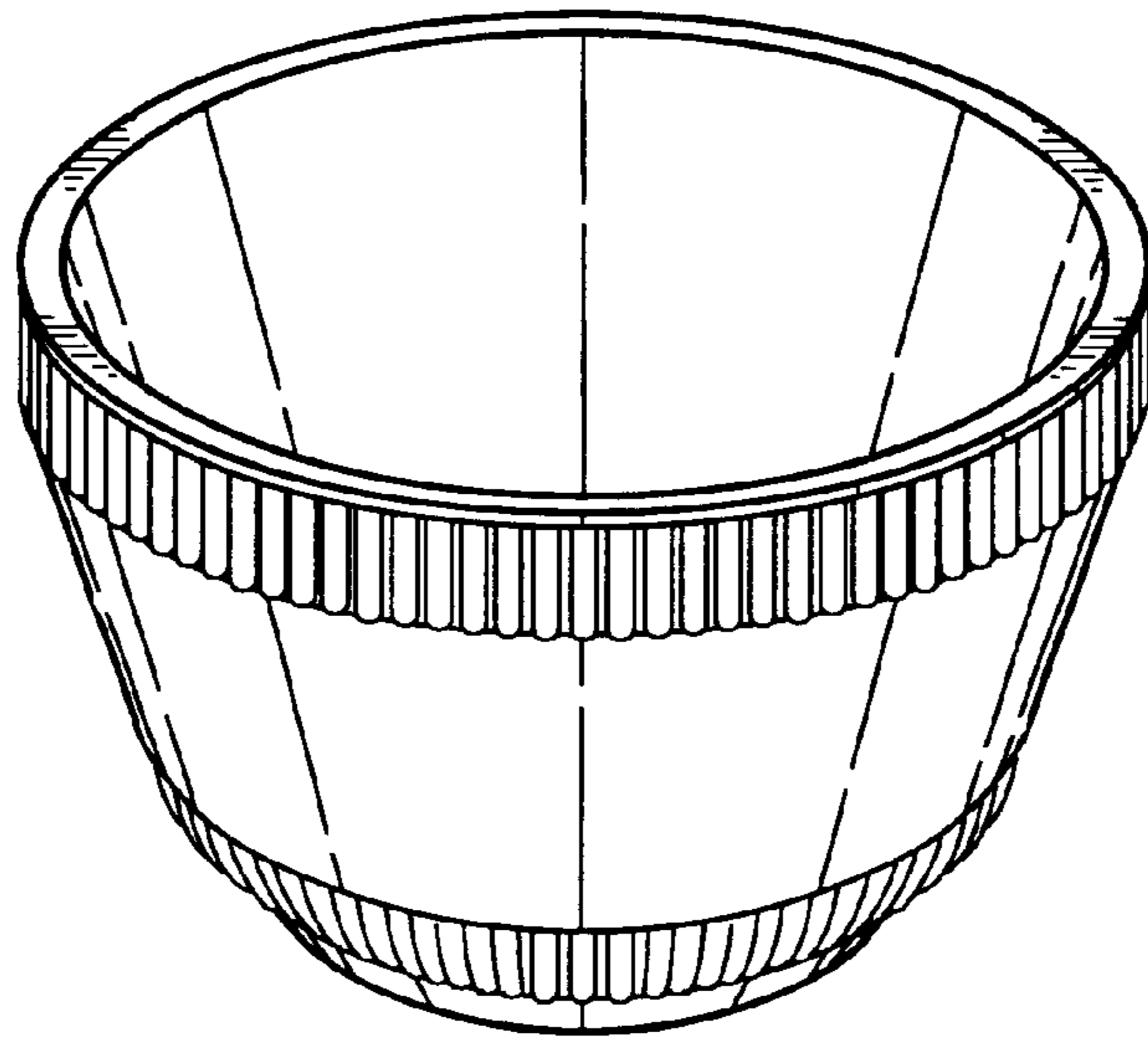


FIG. 1

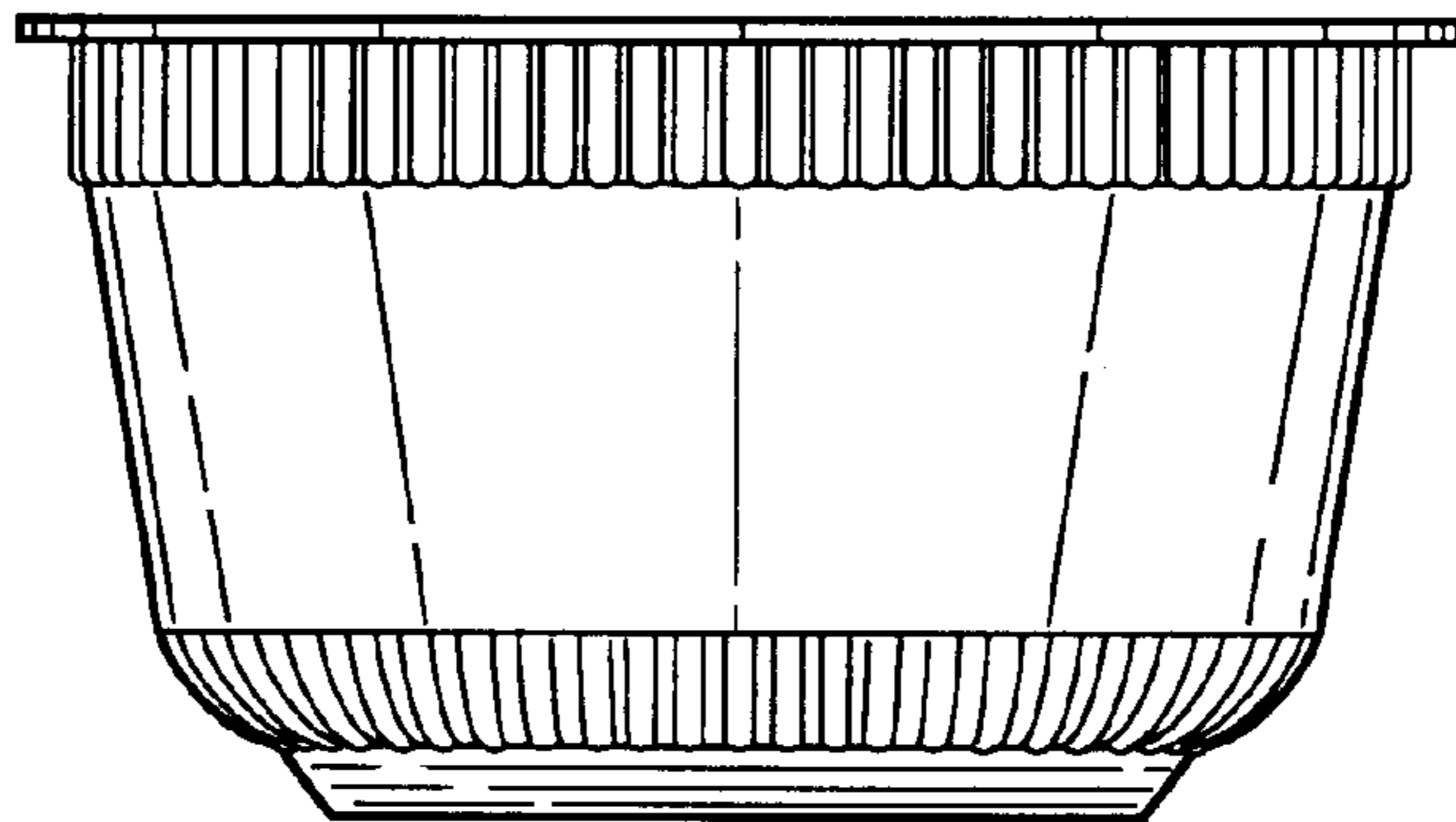


FIG. 2

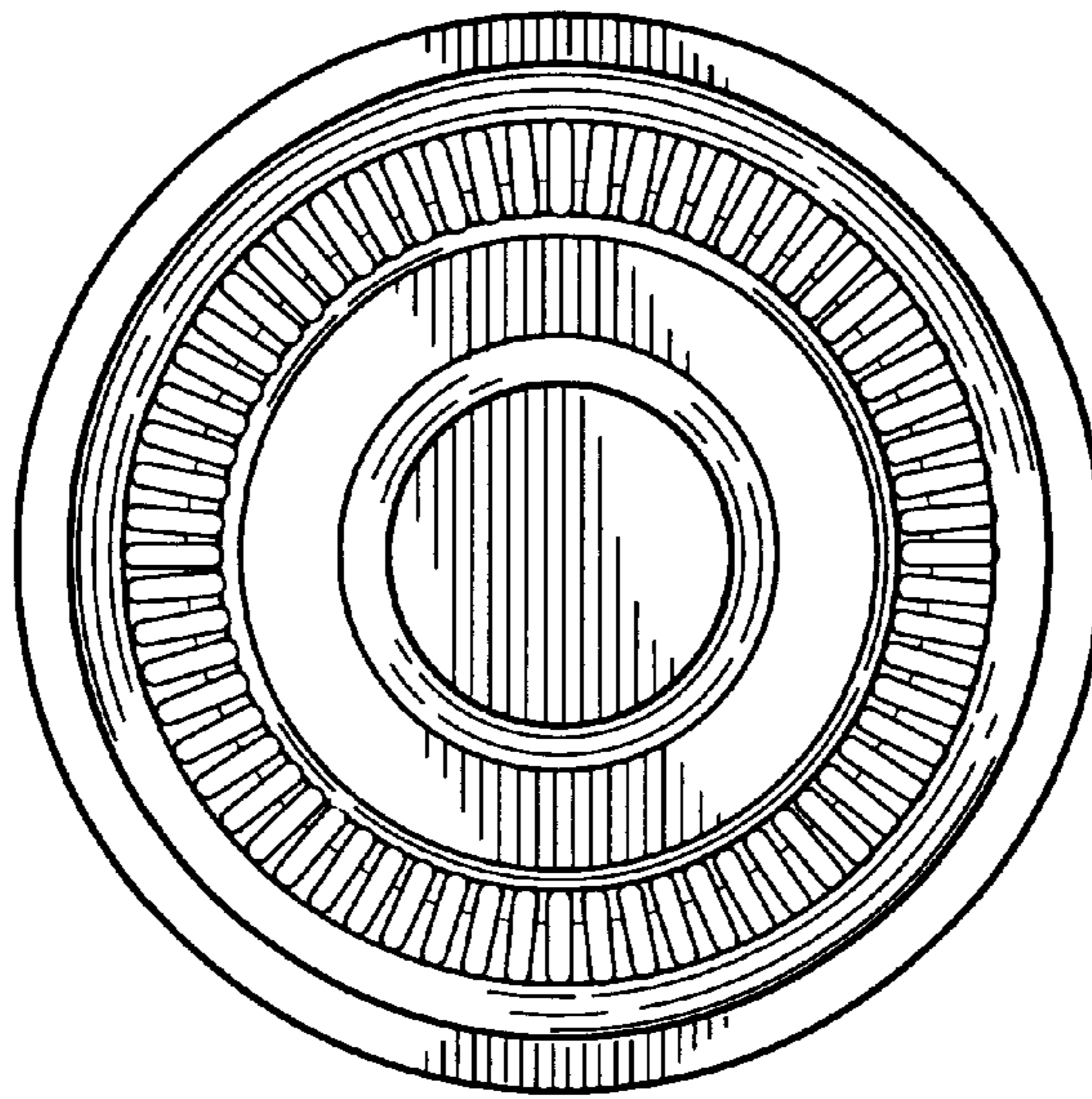


FIG. 3

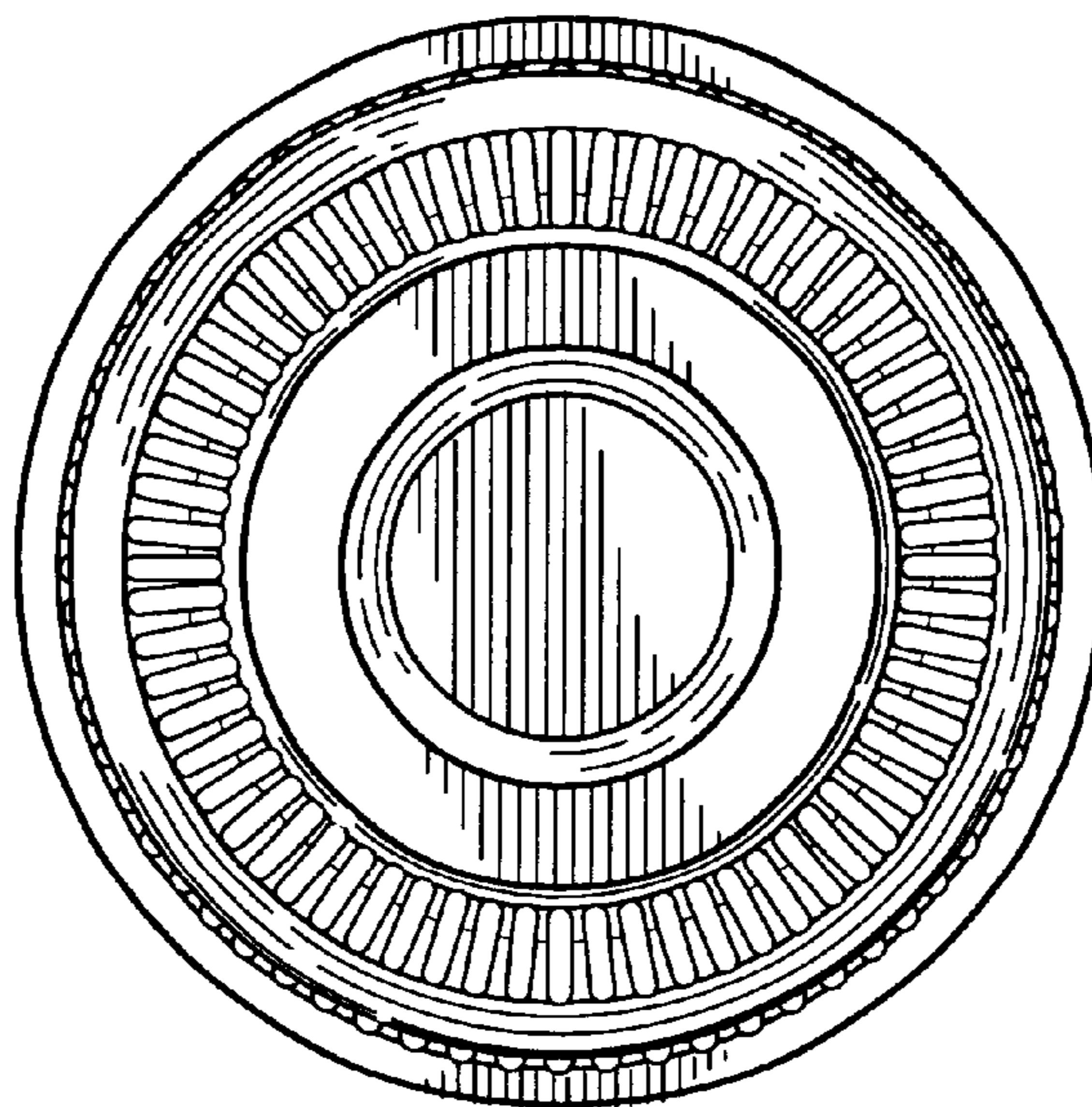


FIG. 4