



US00D454303S

(12) **United States Design Patent**
Sipinen

(10) **Patent No.:** **US D454,303 S**

(45) **Date of Patent:** **** Mar. 12, 2002**

(54) **PACKAGE FOR DISPENSING SHEETS**

(75) **Inventor:** **Alan J. Sipinen, St. Paul, MN (US)**

(73) **Assignee:** **3M Innovative Properties Company, St. Paul, MN (US)**

(**) **Term:** **14 Years**

(21) **Appl. No.:** **29/133,668**

(22) **Filed:** **Dec. 1, 2000**

Related U.S. Application Data

(63) Continuation-in-part of application No. 09/585,649, filed on Jun. 1, 2000.

(51) **LOC (7) Cl.** **09-03**

(52) **U.S. Cl.** **D9/422**

(58) **Field of Search** D9/422, 416, 305, D9/432, 433; 206/494, 233, 254, 256, 260, 255, 273, 554, 812, 804, 449; 229/103.2, 210, 237, 244, 247, 126, 67.1-67.4, 68.1, 309, 310, 87.01; 221/208, 209, 210, 45, 305; D6/518, 519

(56) **References Cited**

U.S. PATENT DOCUMENTS

1,205,892 A	11/1916	Hecht	
1,375,001 A *	4/1921	Hasburg	206/5.1
1,575,420 A *	3/1926	Eisenstark et al.	206/256
D83,042 S *	1/1931	Goldberg	D9/422
2,032,150 A	2/1936	Richardson	
2,269,525 A	1/1942	Fleischer	
2,341,794 A	2/1944	Kliwer	
2,885,112 A	5/1959	Willat	
3,828,923 A *	8/1974	Phillips, Jr.	206/254
3,970,215 A *	7/1976	McLaren et al.	206/233
D272,806 S *	2/1984	Handy et al.	D9/416
4,487,318 A *	12/1984	Roen	206/494
4,574,952 A	3/1986	Masui et al.	206/494

4,726,989 A	2/1988	Mrozinski	428/315.5
4,739,902 A	4/1988	Joslyn et al.	428/315.5
4,979,613 A *	12/1990	McLaughlin et al.	206/233
5,046,640 A	9/1991	Carroll	221/213
5,184,725 A	2/1993	Reinheimer et al.	206/494
D352,895 S *	11/1994	Van Loo	D9/422
6,033,115 A *	3/2000	Zeiler	229/67.4
6,045,002 A *	4/2000	Wierschke	206/494
6,126,009 A *	10/2000	Shiffler et al.	206/494

FOREIGN PATENT DOCUMENTS

JP	58-74894	5/1983
WO	WO 99/29220	6/1999

OTHER PUBLICATIONS

Product brochure entitled, "3M Face Fresh'ner oil remover film," Jun. 8, 1999 (6 pages).

U.S. application No. 09/566,308.

* cited by examiner

Primary Examiner—Prabhakar Deshmukh

(74) *Attorney, Agent, or Firm*—Gary L. Griswold; Robert W. Sprague; William J. Bond

(57) **CLAIM**

The ornamental design for a package for dispensing sheets, as shown and described.

DESCRIPTION

FIG. 1 is a top view of the design for the article that dispenses sheets, shown in a closed position.

FIG. 2 is a rear view thereof.

FIG. 3 is a front view thereof.

FIG. 4 is a right side view thereof, the left side view being a mirror image thereof.

FIG. 5 is a bottom view thereof; and,

FIG. 6 is a top view thereof; shown in an open position.

The broken lines are for illustrative purpose only and form no part of the claimed design.

1 Claim, 2 Drawing Sheets

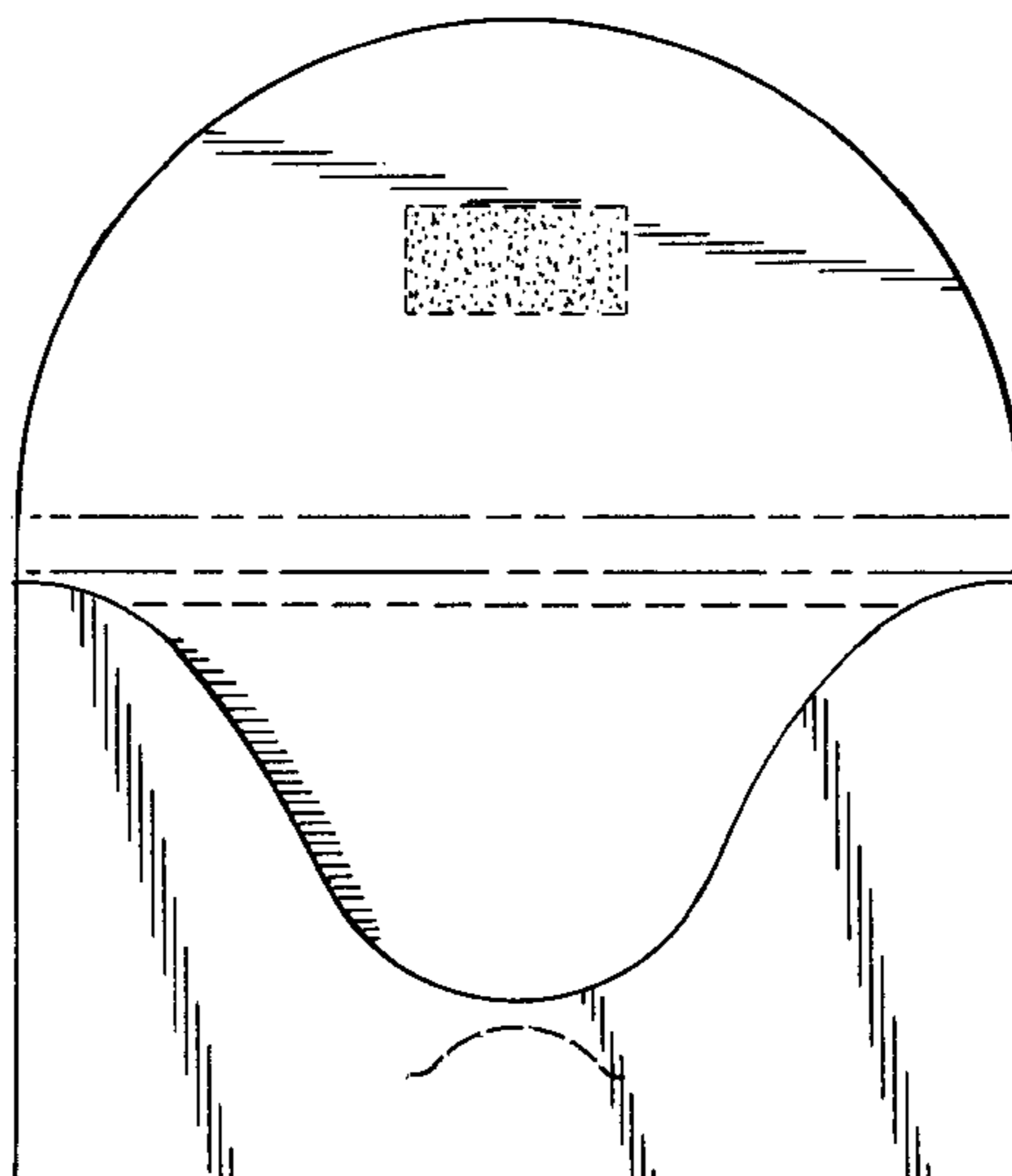




FIG. 2

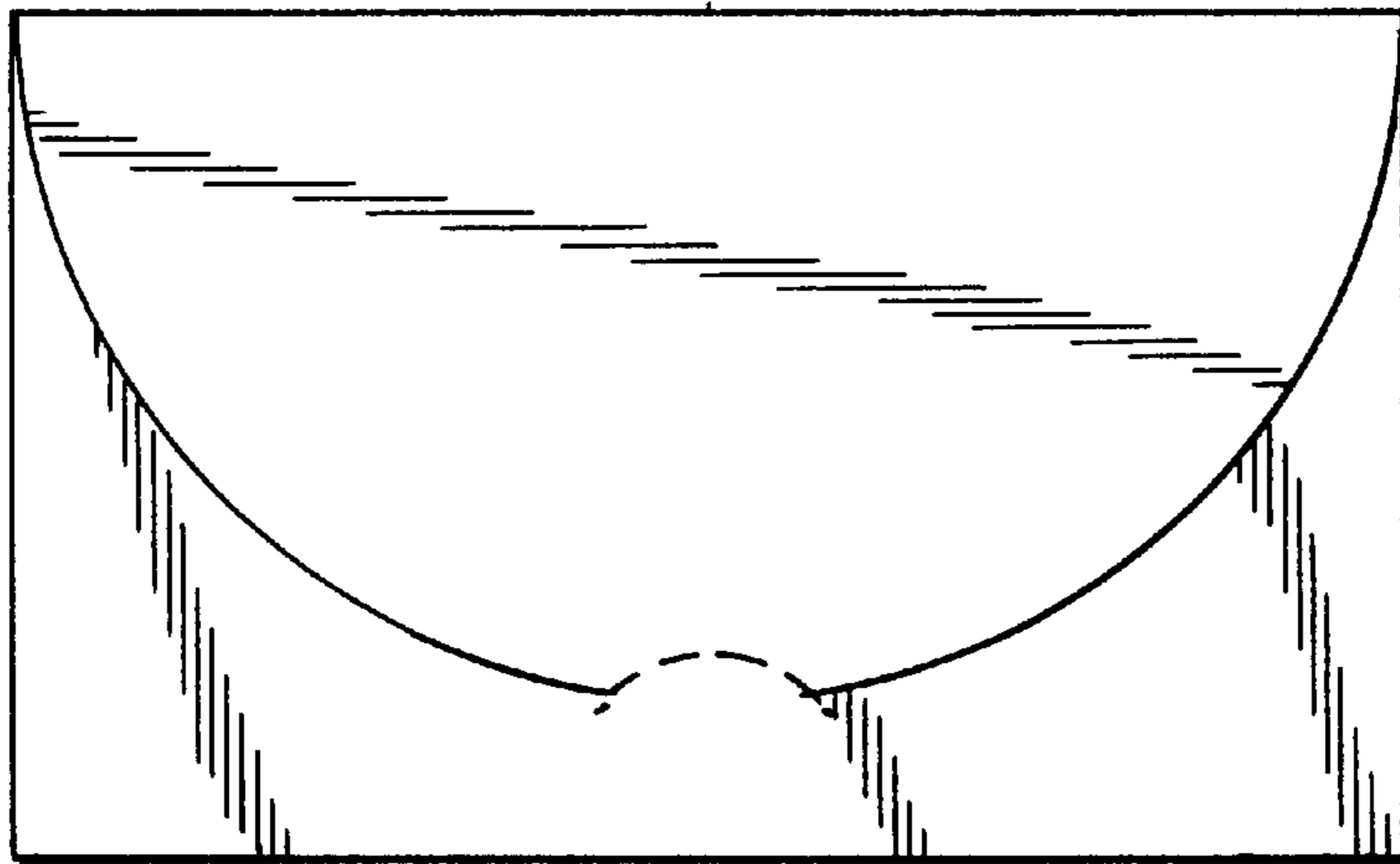


FIG. 1



FIG. 3

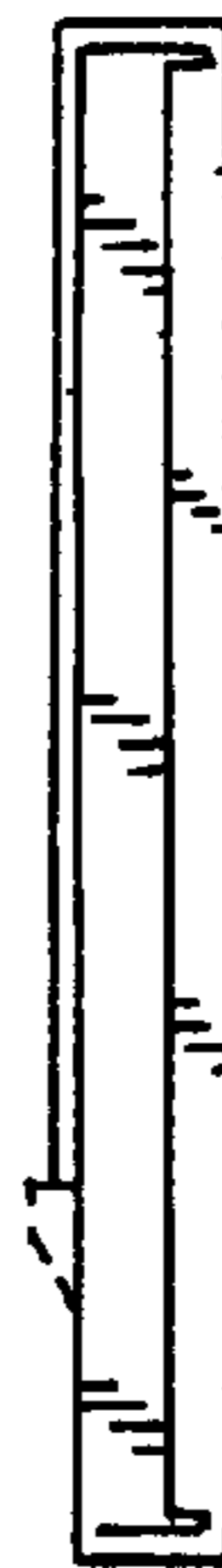


FIG. 4

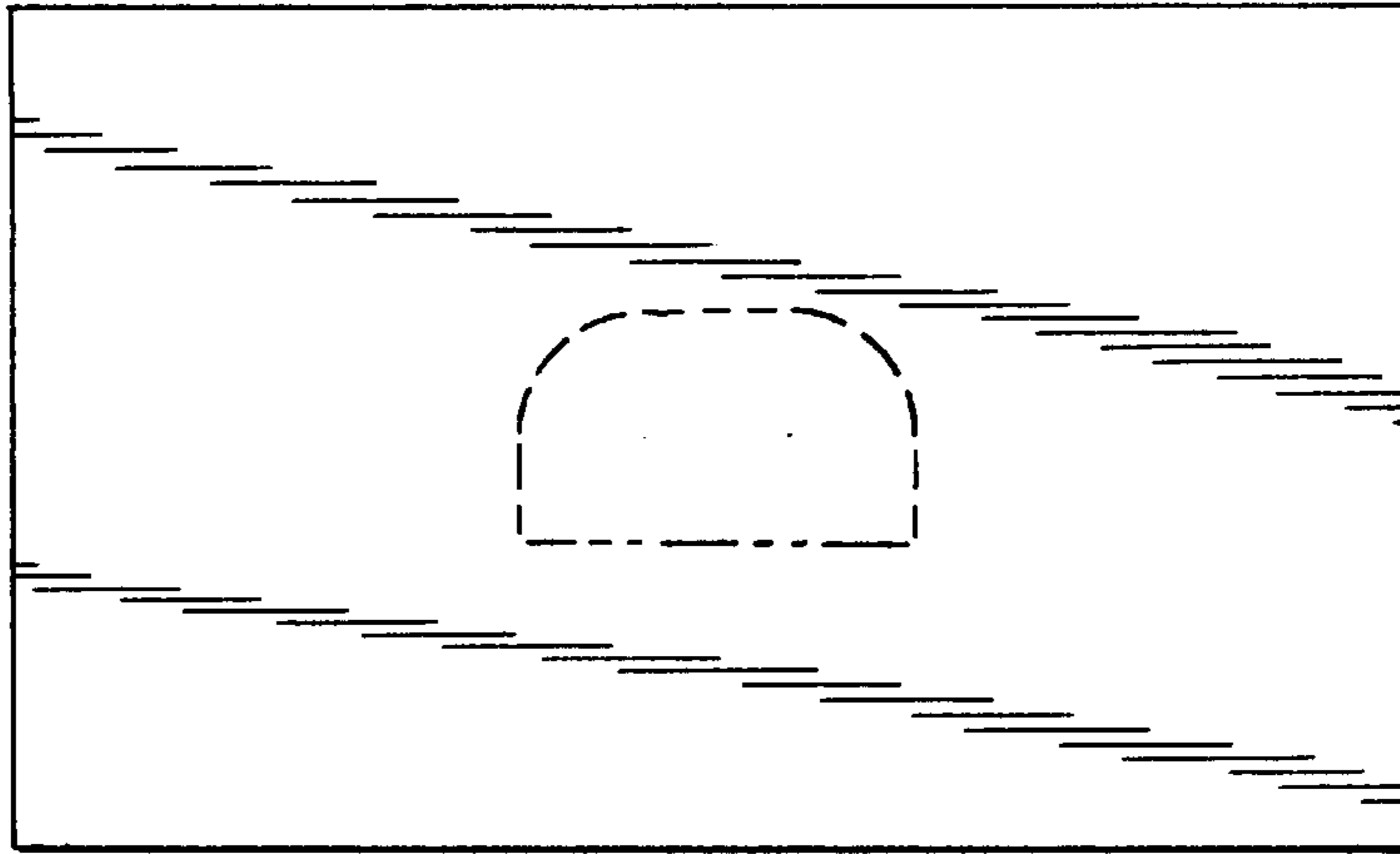


FIG. 5

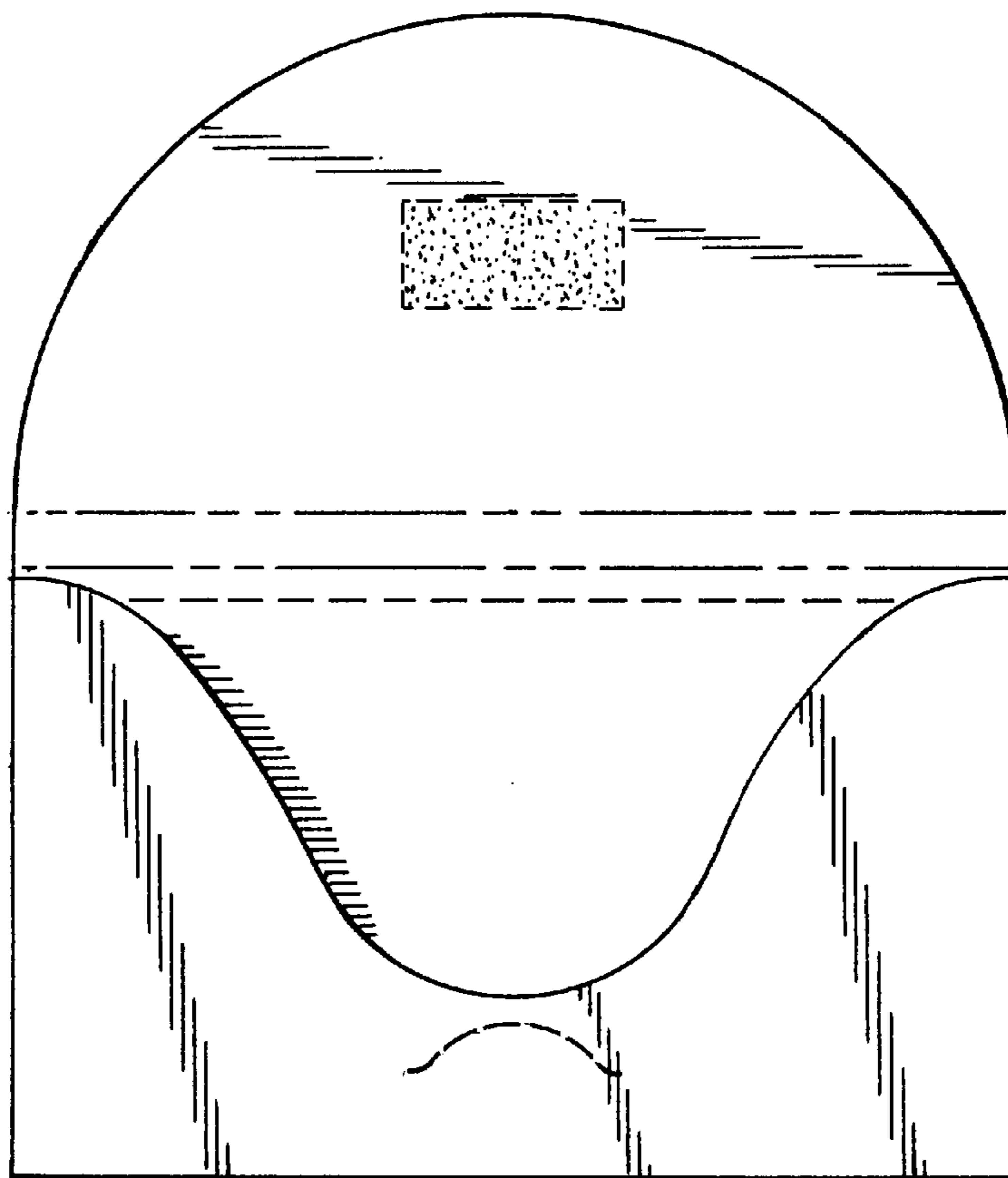


FIG. 6