



US00D454301S

(12) **United States Design Patent**
Moldoveanu

(10) **Patent No.:** **US D454,301 S**

(45) **Date of Patent:** **** Mar. 12, 2002**

(54) **CONTAINER**

(76) Inventor: **Nicolae Moldoveanu**, 23 Cobalcescu Street, Bucharest 1, 707661 (RO)

(**) Term: **14 Years**

(21) Appl. No.: **29/116,741**

(22) Filed: **Jan. 11, 2000**

(51) **LOC (7) Cl.** **09-03**

(52) **U.S. Cl.** **D9/417; D9/430**

(58) **Field of Search** D9/416, 414, 430, D9/431, 337, 417; 229/106, 108, 108.1, 116.1, 229, 125.09, 125.42, 123, 925; 222/541.1, 566, 572, 562, 563; 220/269, 833

(56) **References Cited**

U.S. PATENT DOCUMENTS

- 2,552,154 A * 5/1951 Danielson 222/566
- D190,688 S * 6/1961 Sisco D9/416
- 3,357,627 A * 12/1967 Hill 229/125.09
- 3,883,034 A * 5/1975 Rausing 222/541.1
- 3,977,591 A * 8/1976 Martensson et al. ... 229/125.09

- 4,934,590 A * 6/1990 Robichaud et al. 229/125.14
- D328,710 S * 8/1992 Deflander D9/417
- D436,033 S * 1/2001 Croft et al. D9/416

* cited by examiner

Primary Examiner—Prabhakar Deshmukh
(74) *Attorney, Agent, or Firm*—Baker Botts, L.L.C.

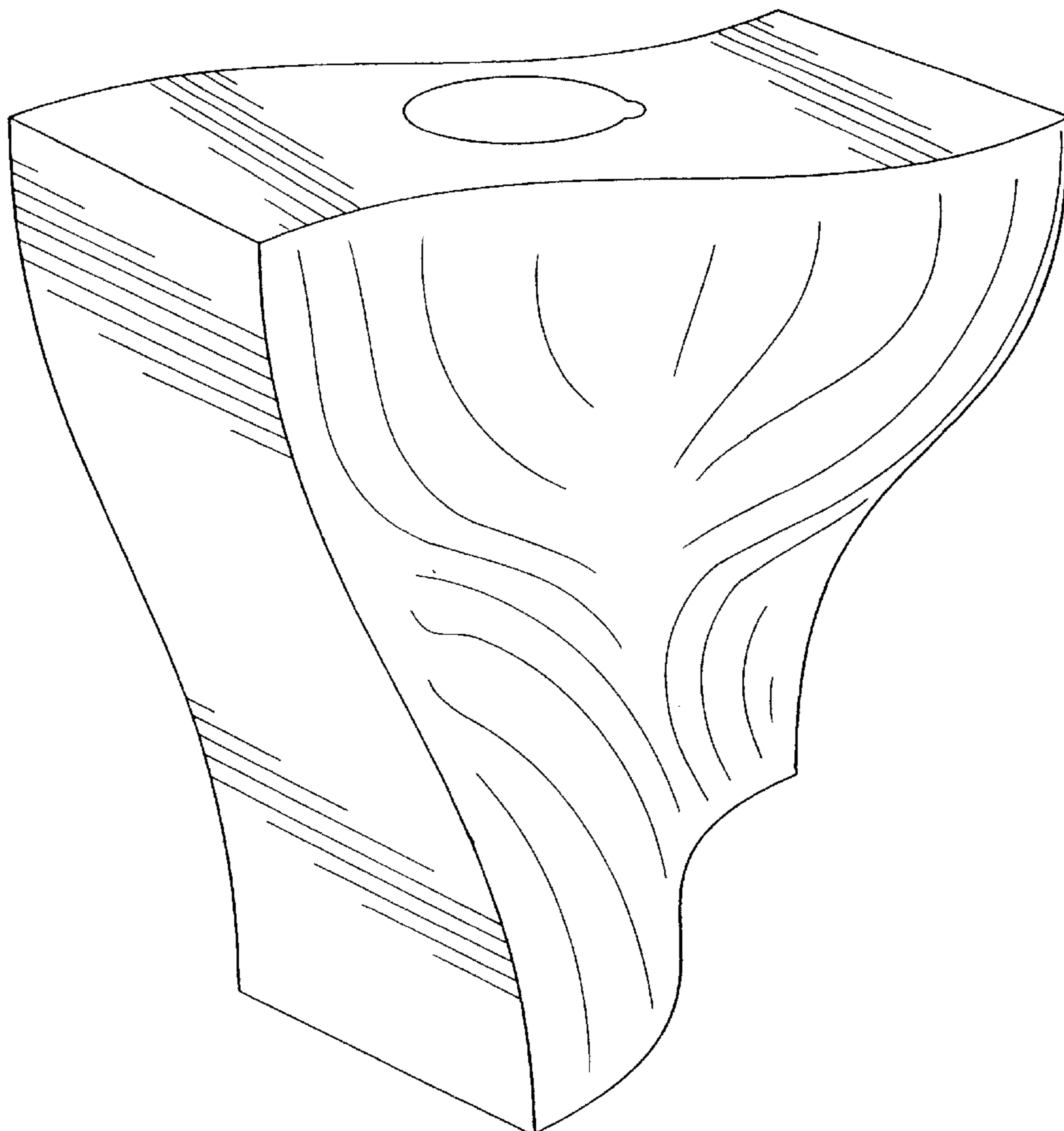
(57) **CLAIM**

The ornamental design for a container, as shown and described.

DESCRIPTION

FIG. 1 is a perspective front view of a container with a closed access, according to my design.
 FIG. 2 is a perspective front view the container of FIG. 1 with an access opened.
 FIG. 3 is a front view of the container of FIG. 1.
 FIG. 4 is a rear view of the container of FIG. 1.
 FIG. 5 is a top view of the container of FIG. 1.
 FIG. 6 is a bottom view of the container of FIG. 1.
 FIG. 7 is a right side view of the container of FIG. 1; and,
 FIG. 8 is a left side view of the container of FIG. 1.

1 Claim, 8 Drawing Sheets



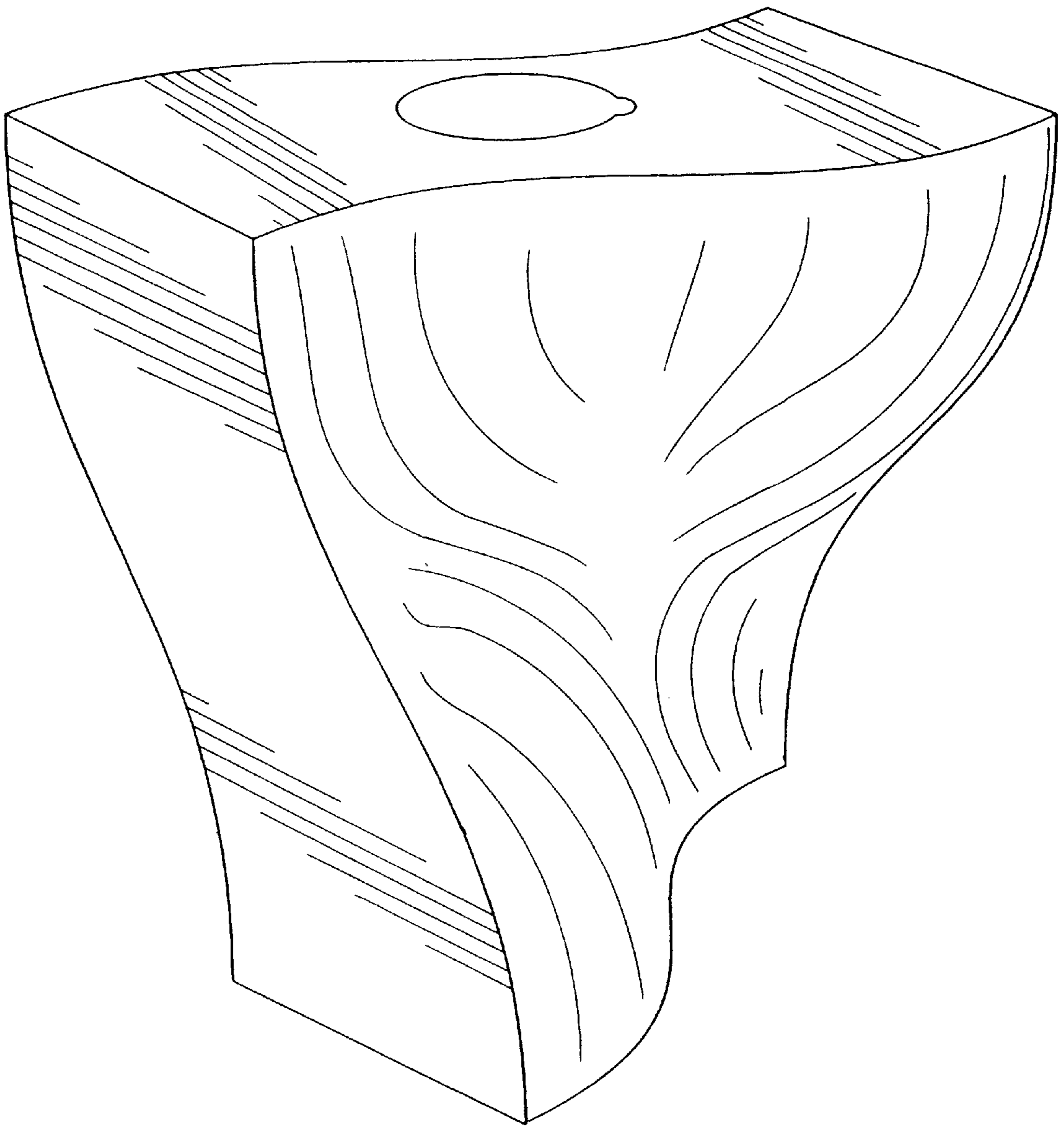


FIG. 1

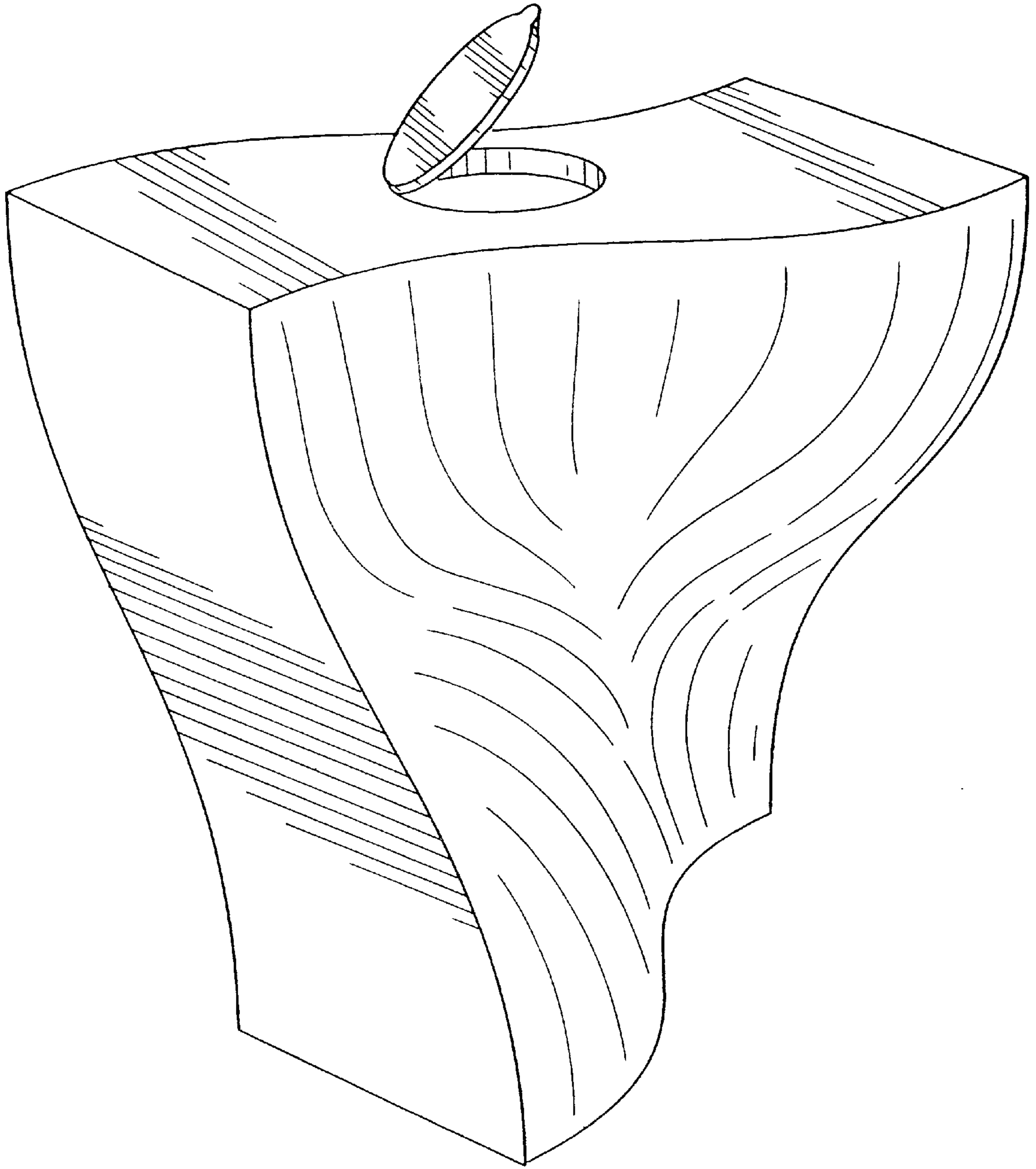


FIG. 2

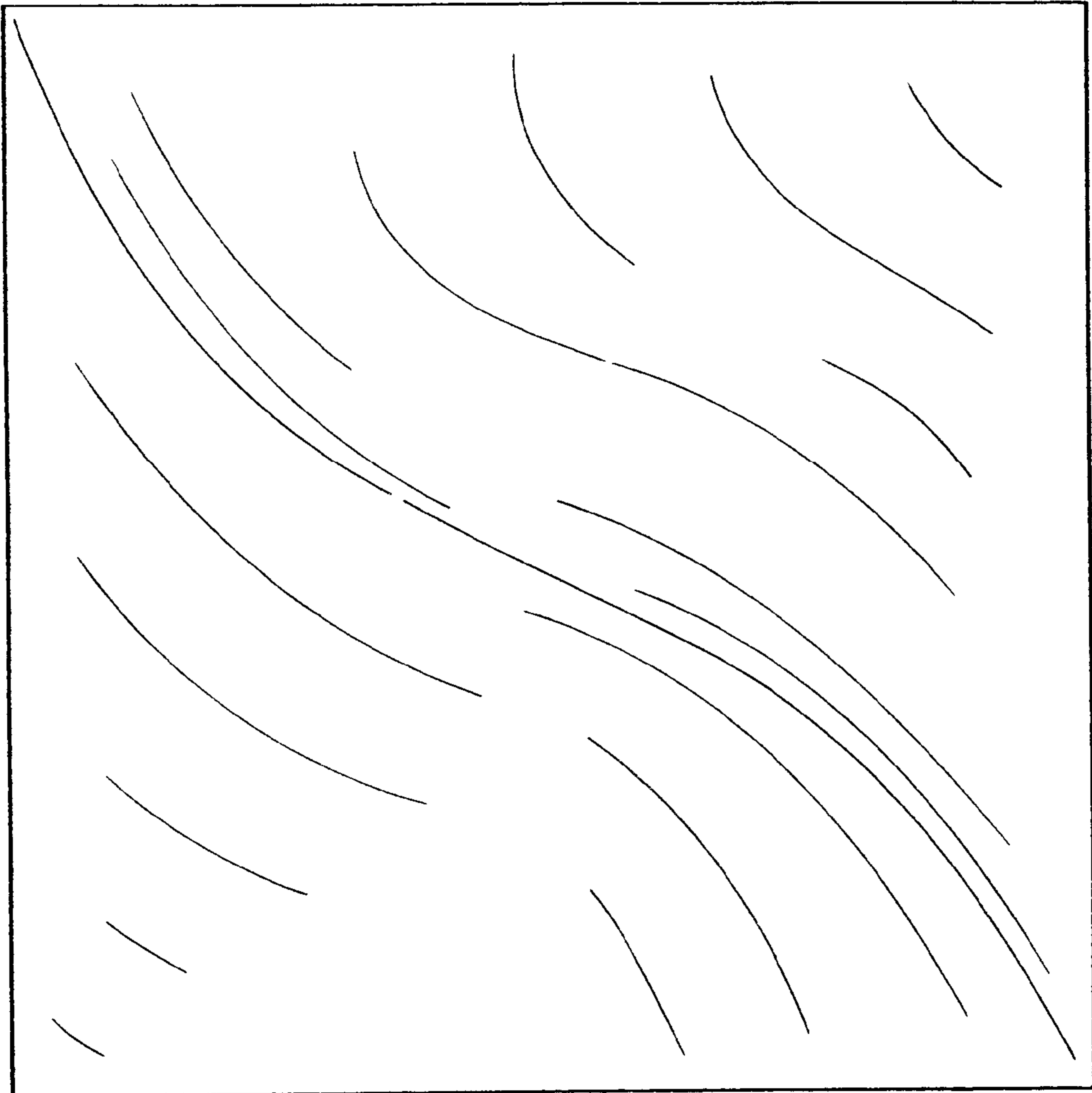


FIG. 3

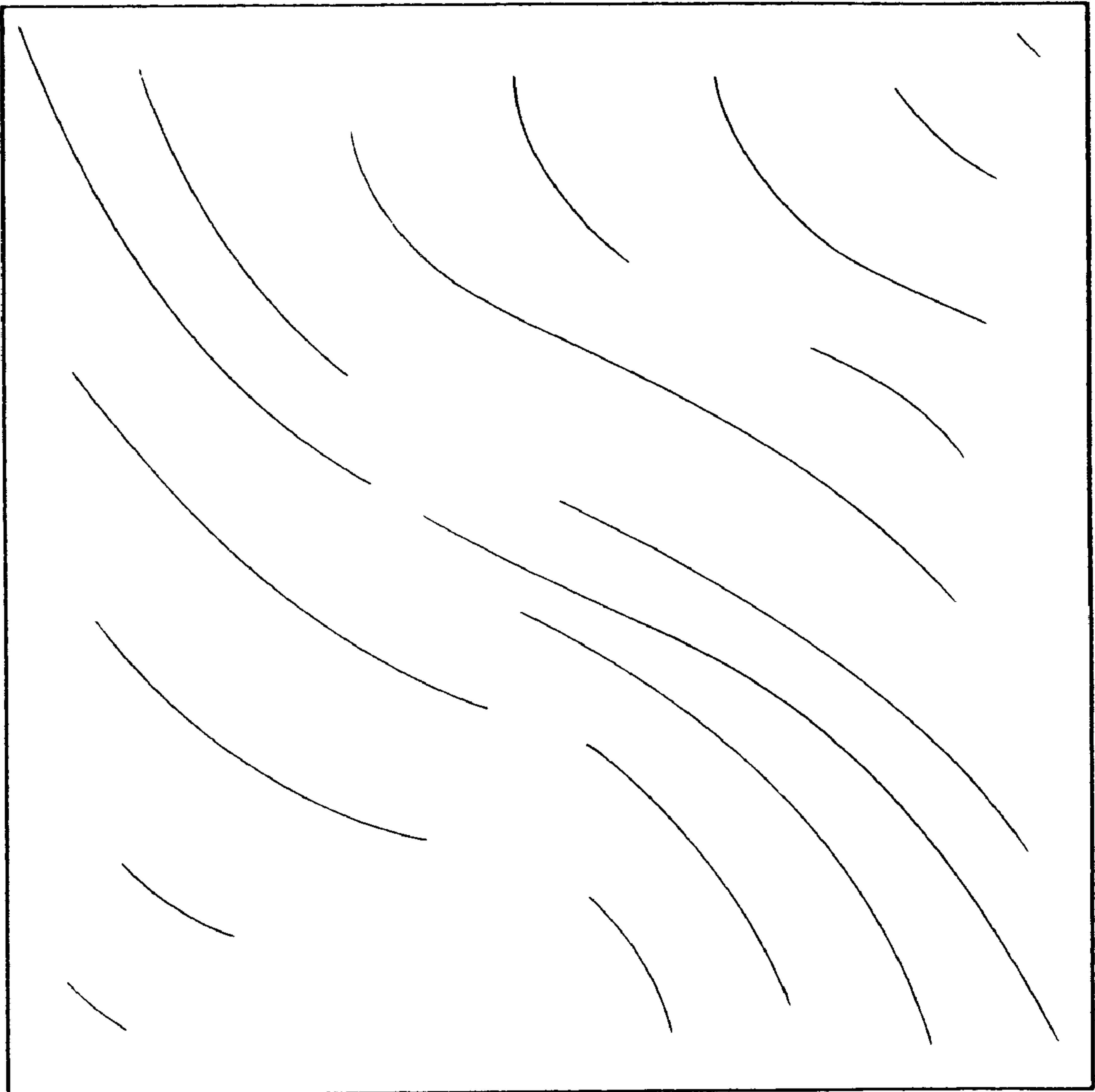


FIG. 4

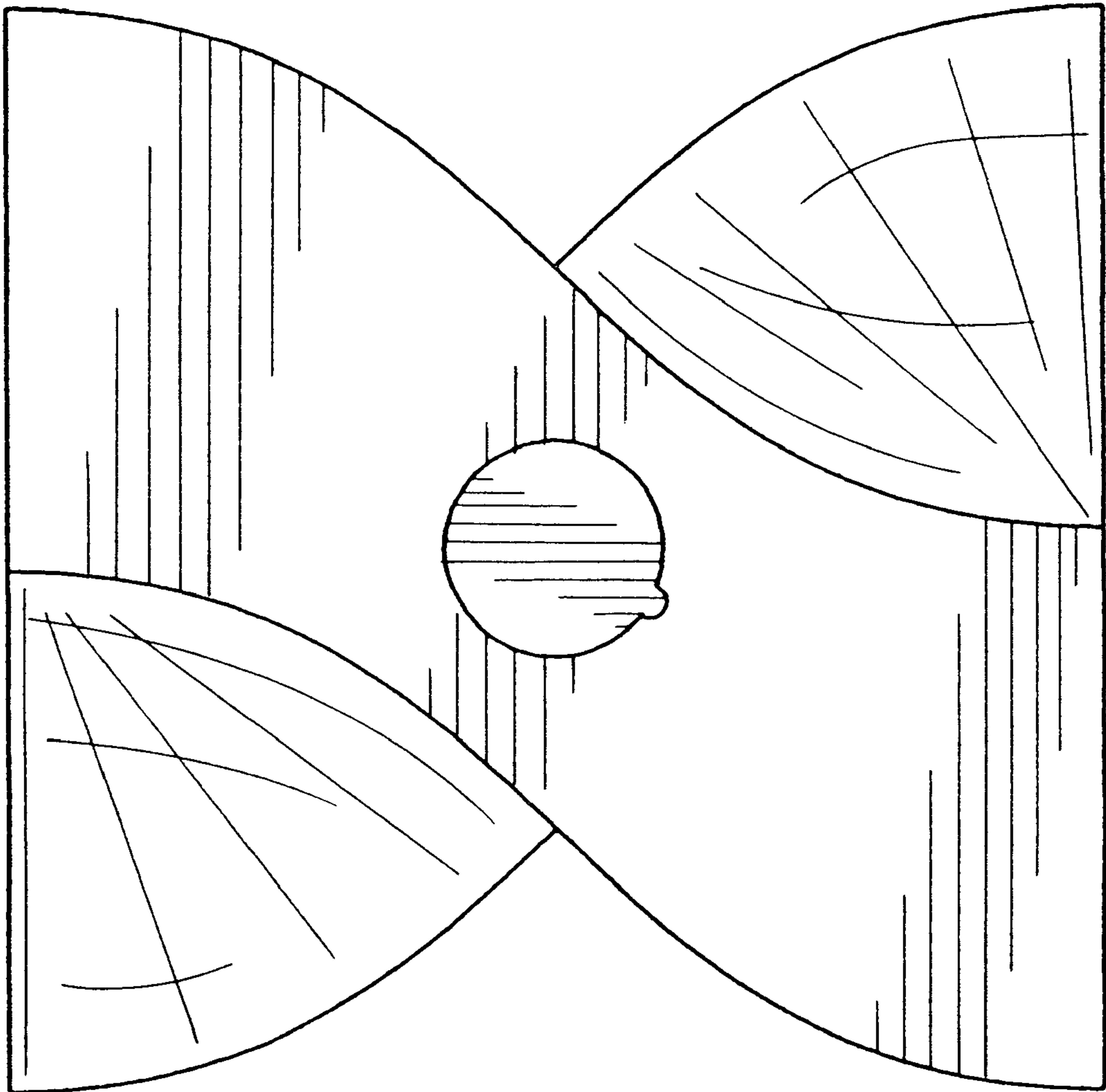


FIG. 5

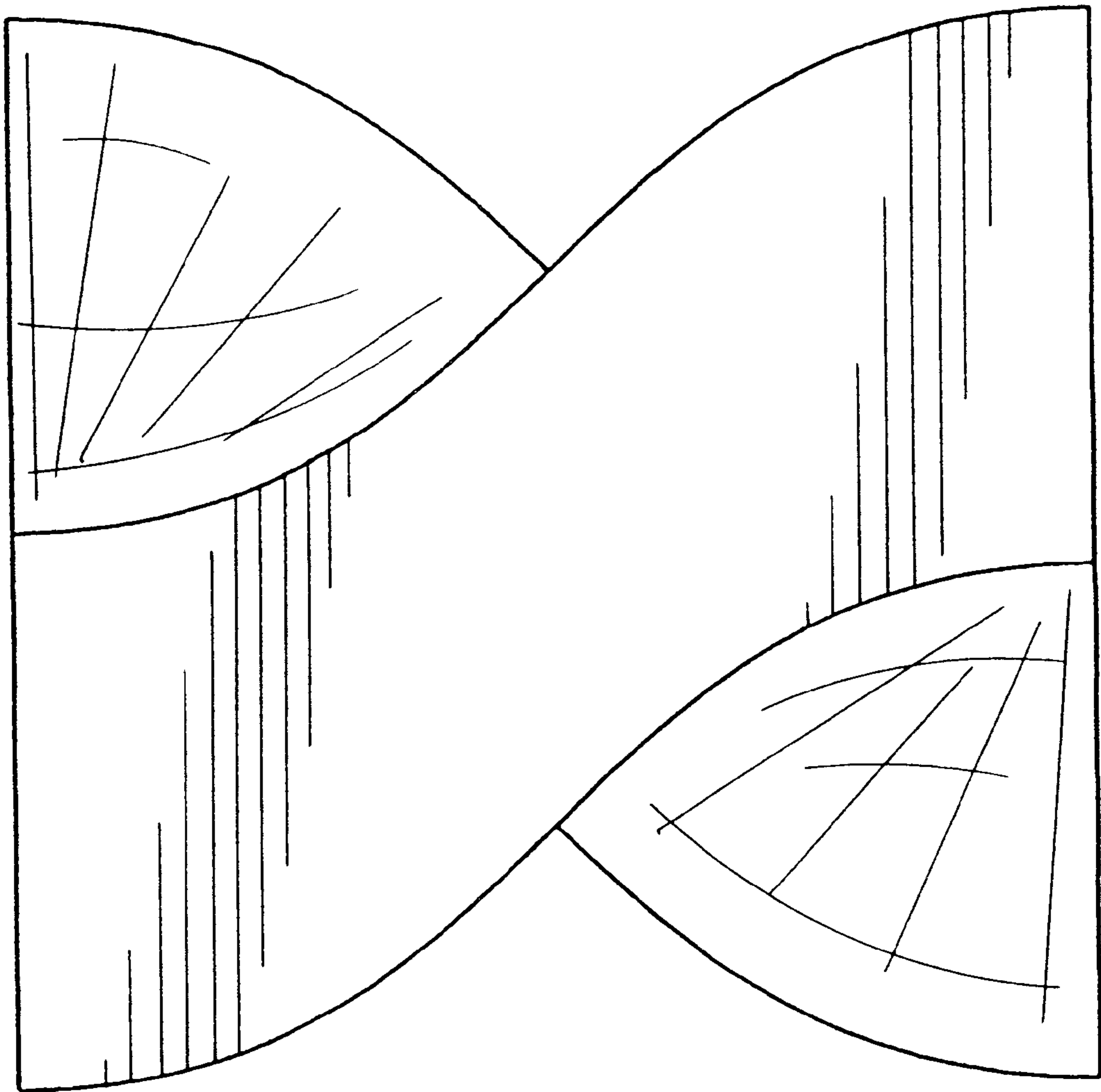


FIG. 6

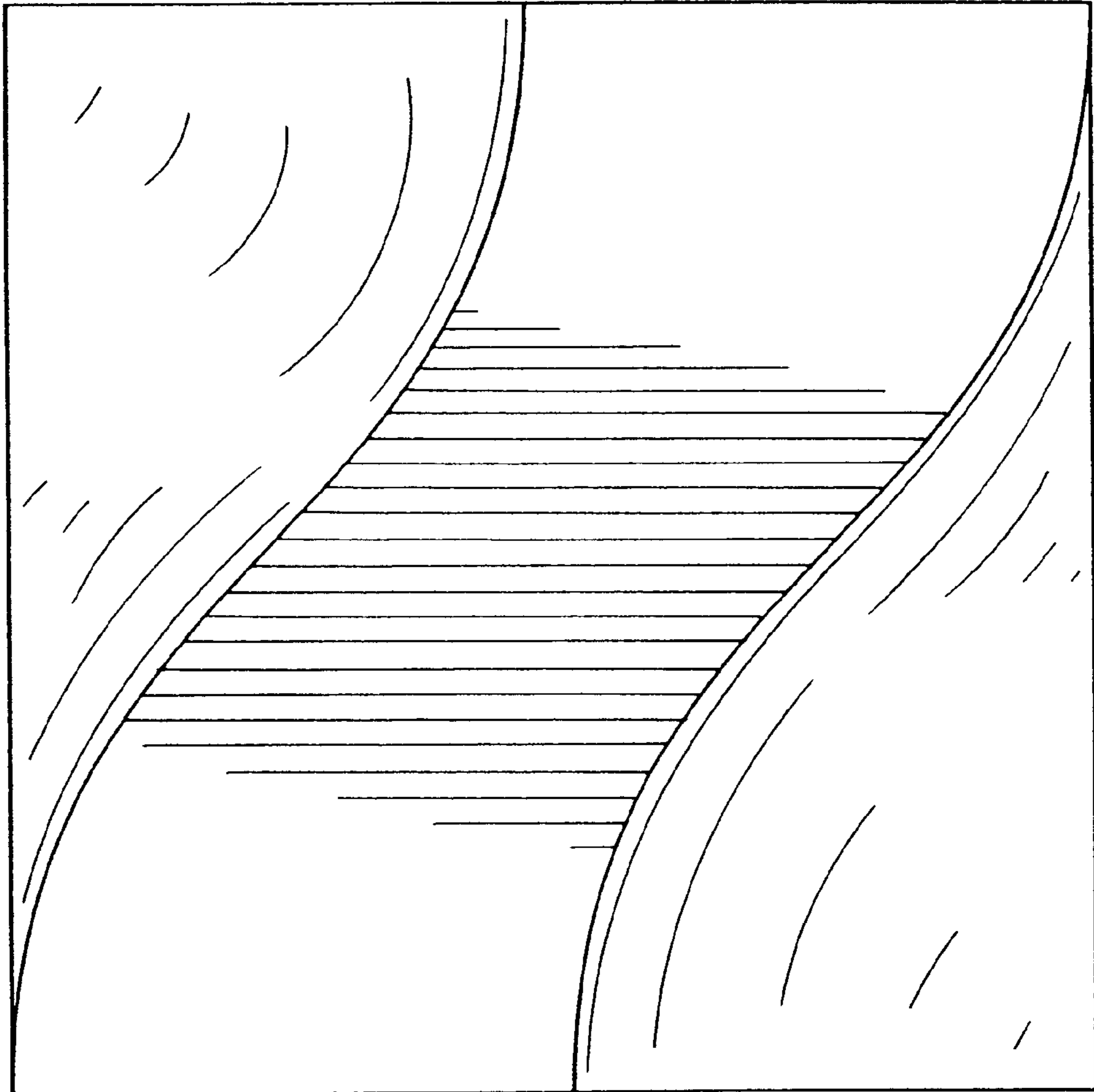


FIG. 7

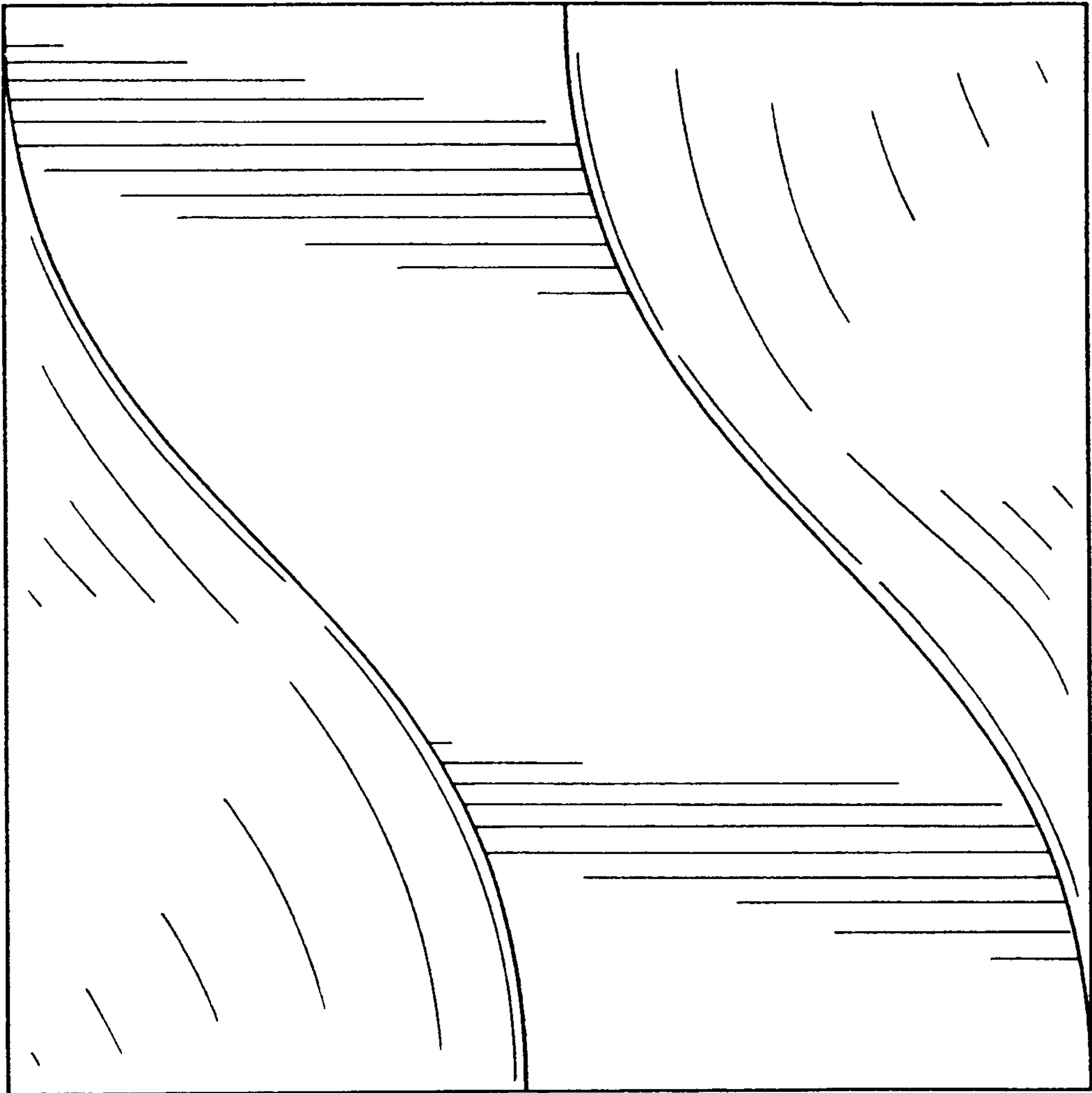


FIG. 8