



US00D454300S

(12) **United States Design Patent**
Pirro et al.

(10) **Patent No.:** **US D454,300 S**

(45) **Date of Patent:** **** Mar. 12, 2002**

(54) **BATTERY PACKAGE**

D443,204 S * 6/2001 Garrant et al. D9/415
6,244,444 B1 * 6/2001 Jacobus et al. 206/703

(75) Inventors: **Jeffrey P. Pirro**, Marcellus; **Andrew C. Schweitzer**, Camillus, both of NY (US)

* cited by examiner

(73) Assignee: **Eveready Battery Company, Inc.**, St. Louis, MO (US)

Primary Examiner—Prabhakar Deshmukh
(74) *Attorney, Agent, or Firm*—Linda Gebauer; Robert W. Welsh

(**) Term: **14 Years**

(57) **CLAIM**

(21) Appl. No.: **29/140,454**

The ornamental design for a battery package, as shown and described.

(22) Filed: **Apr. 18, 2001**

DESCRIPTION

(51) **LOC (7) Cl.** **09-03**

(52) **U.S. Cl.** **D9/415**

(58) **Field of Search** D9/415, 418, 414,
D9/337, 456; 206/461–471, 806, 495, 703,
704, 705

FIG. 1 is a perspective view of a battery package in a closed position, showing our new design; FIG. 2 is a front view thereof; FIG. 3 is a rear view thereof; FIG. 4 is a left side view thereof; FIG. 5 is a right side view thereof; FIG. 6 is a top view thereof; FIG. 7 is a bottom view thereof; FIG. 8 is a perspective view of the battery package in a partially open position; and, FIG. 9 is a perspective view of the battery package in an open position.

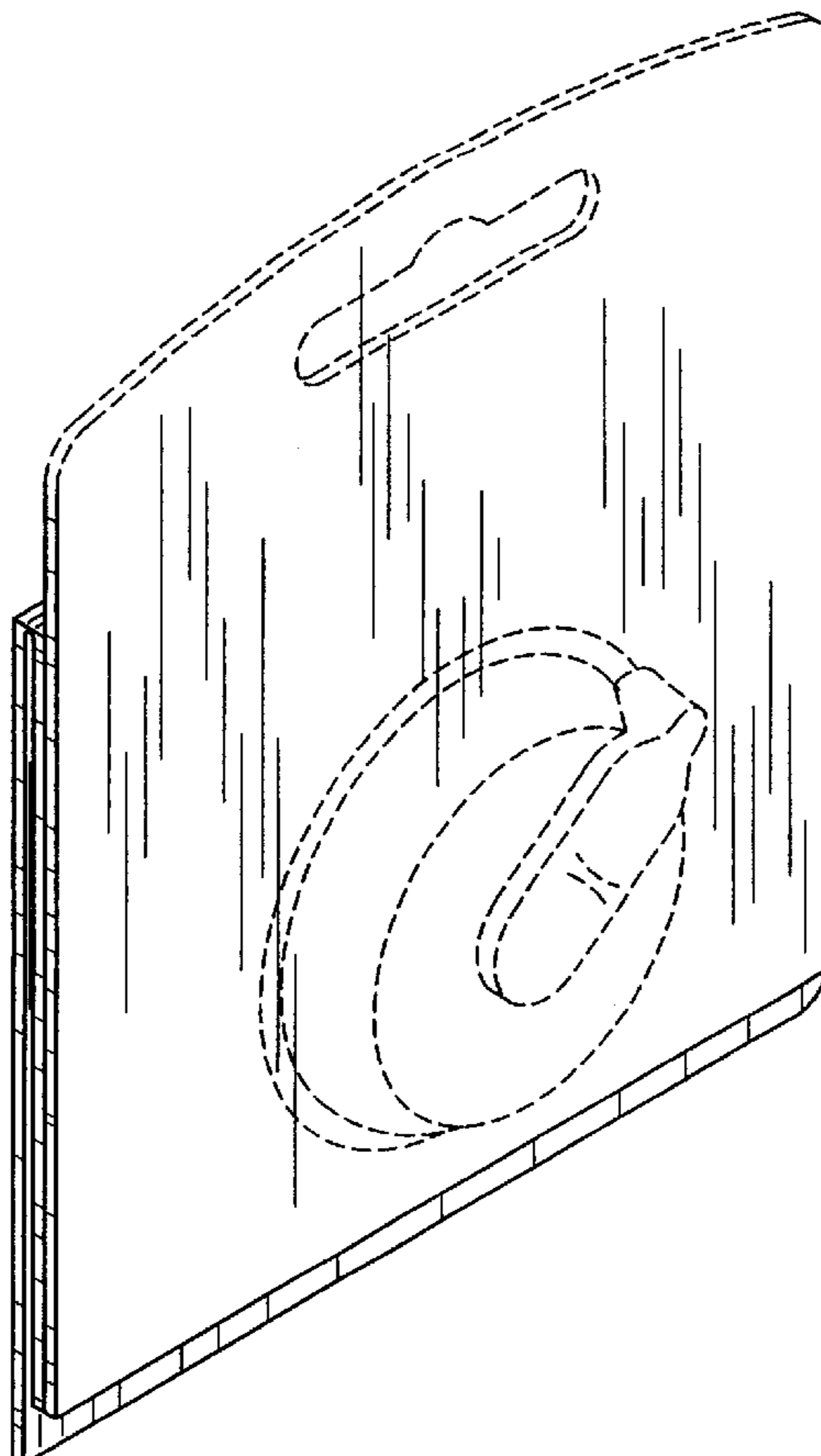
(56) **References Cited**

U.S. PATENT DOCUMENTS

3,990,578	A	*	11/1976	Roeser	206/703
4,958,731	A	*	9/1990	Calcerano	206/705
D394,806	S	*	6/1998	Budert	D9/415
5,947,297	A	*	9/1999	Aoki et al.	206/705
D429,634	S	*	8/2000	Pirro	D9/415
D432,009	S	*	10/2000	Pirro et al.	D9/415
D432,410	S	*	10/2000	Schwartz	D9/415
6,152,303	A	*	11/2000	Ducote et al.	206/703

The broken lines are for illustrative purpose only and forms no part of the claimed design.

1 Claim, 4 Drawing Sheets



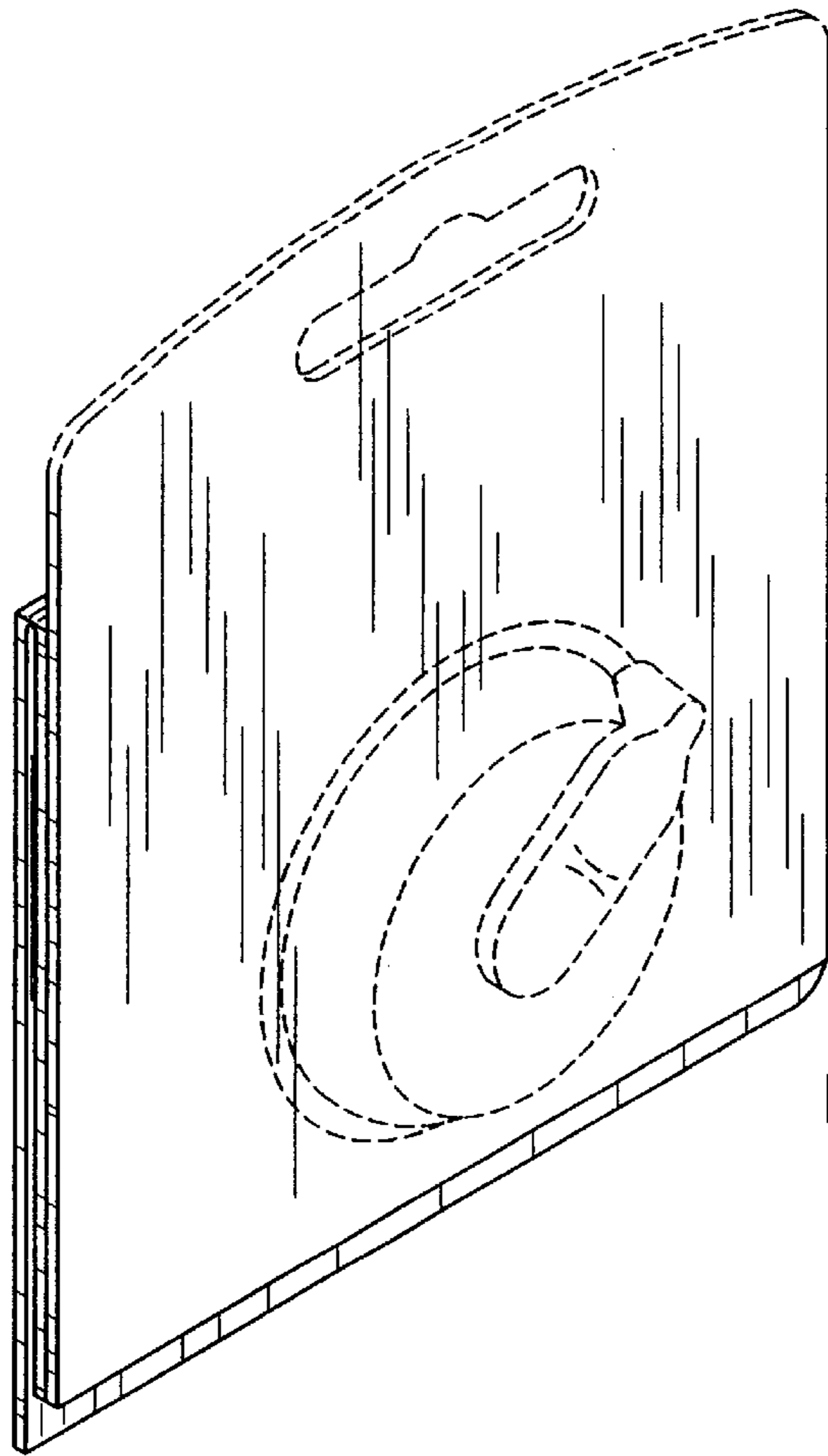


FIG. 1

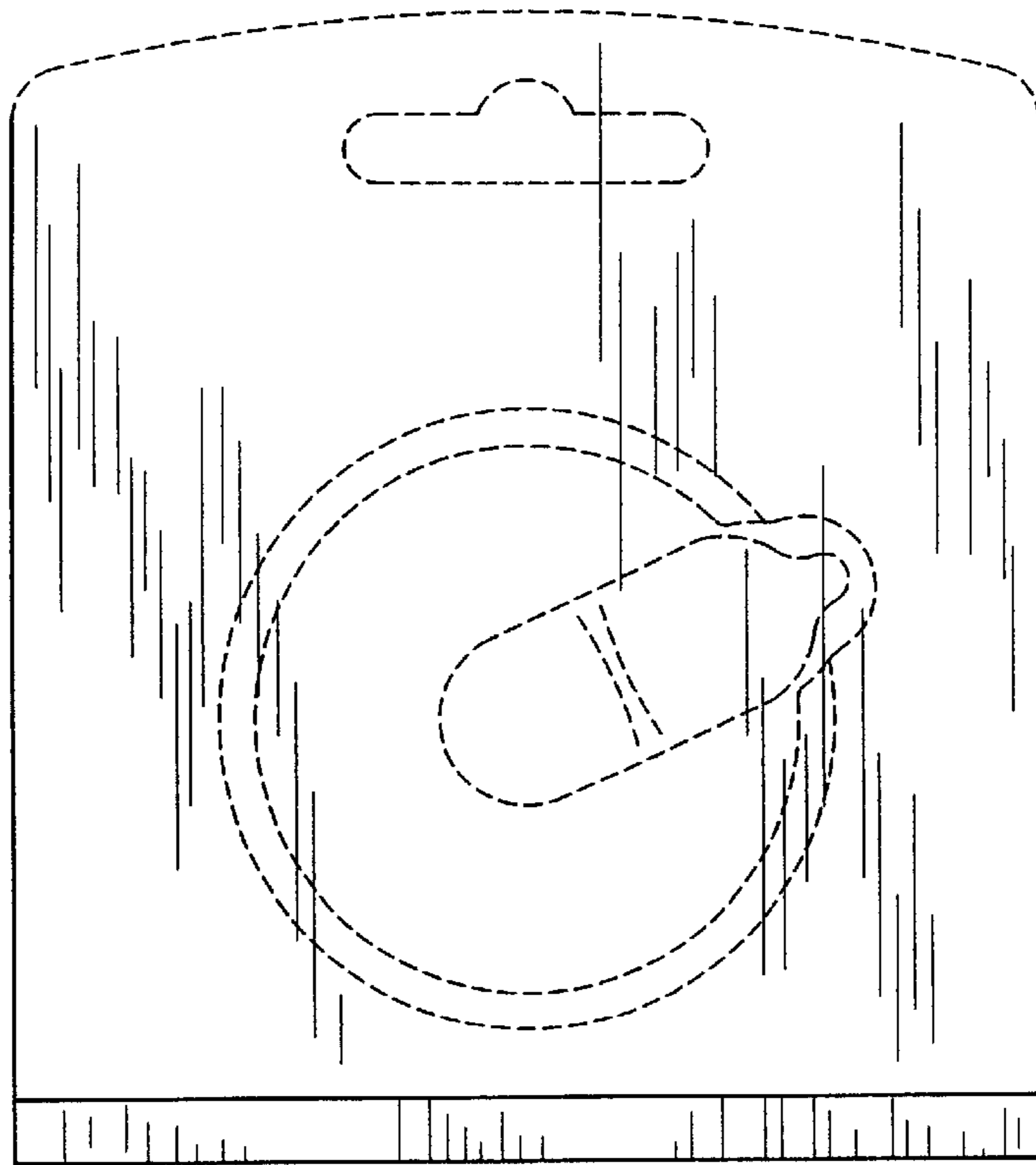


FIG. 2

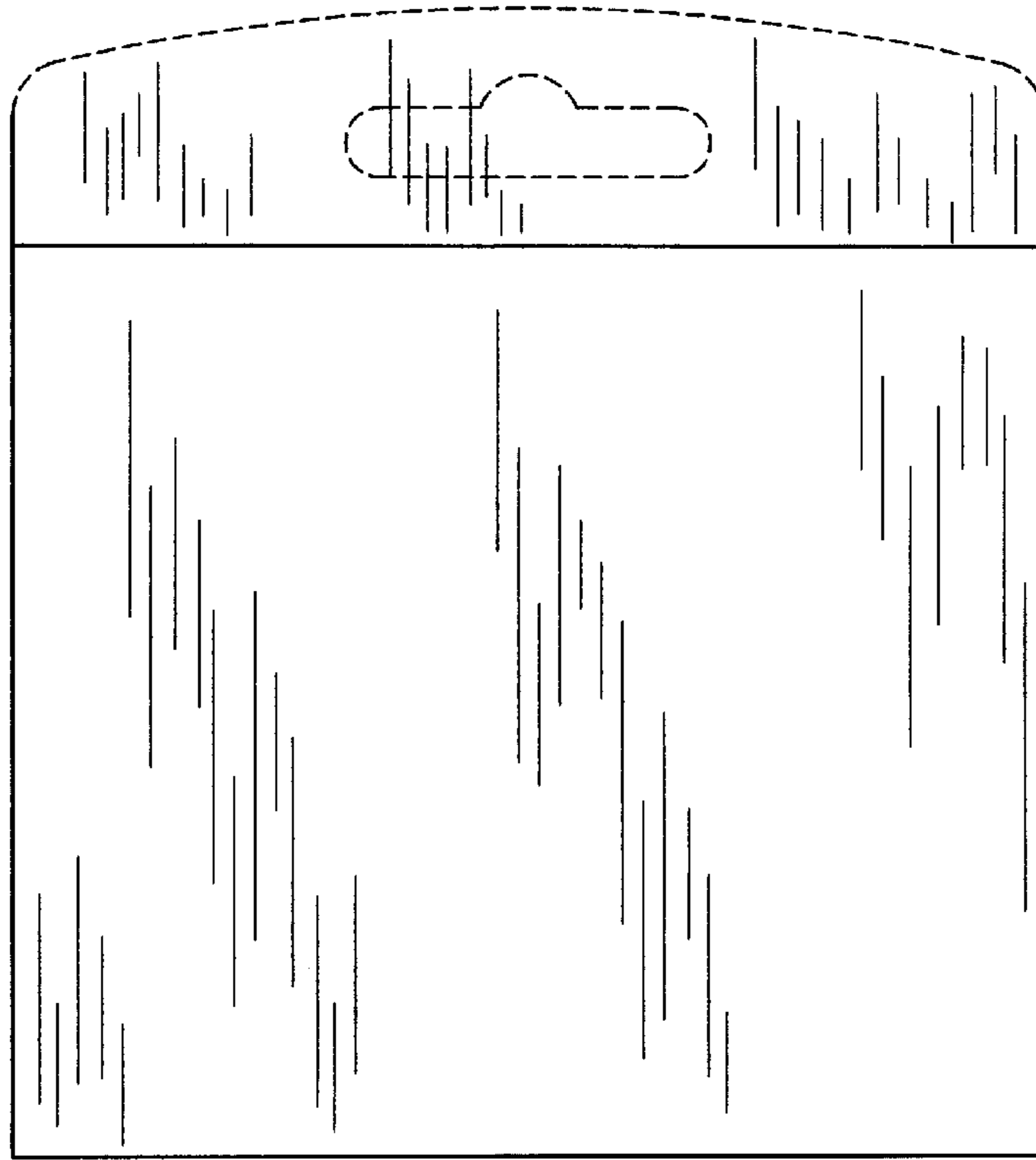


FIG. 3



FIG. 4

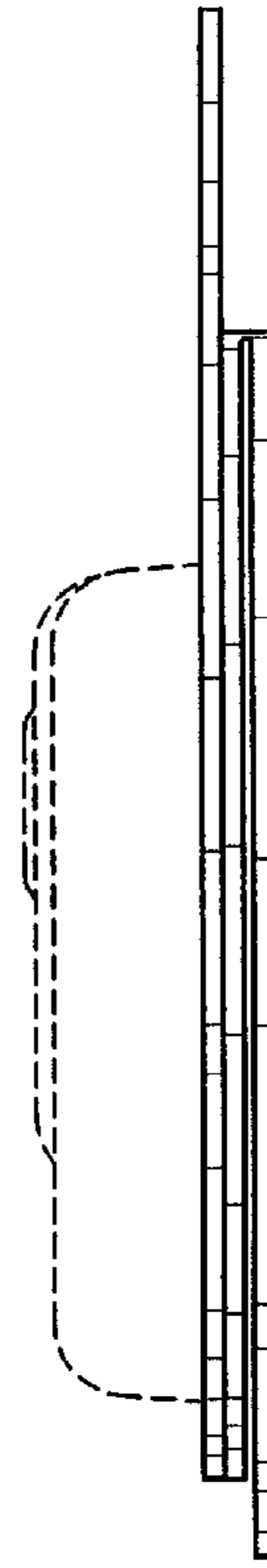


FIG. 5

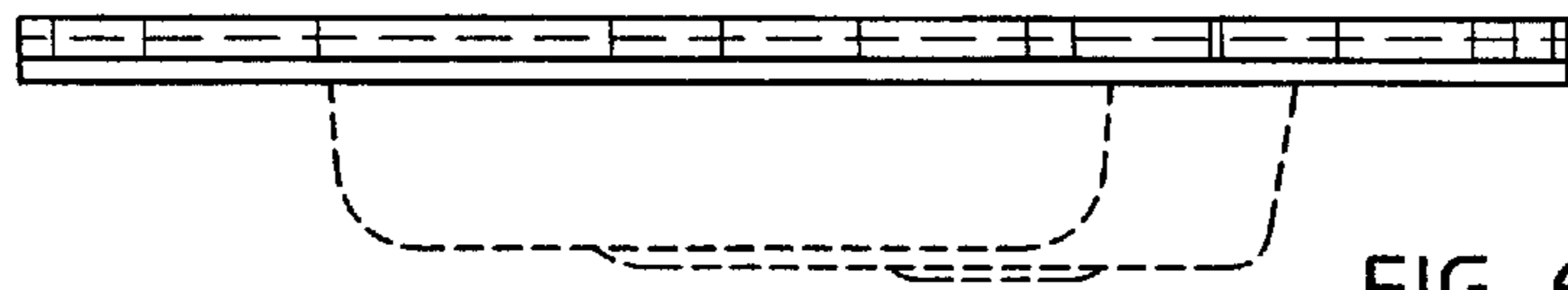


FIG. 6

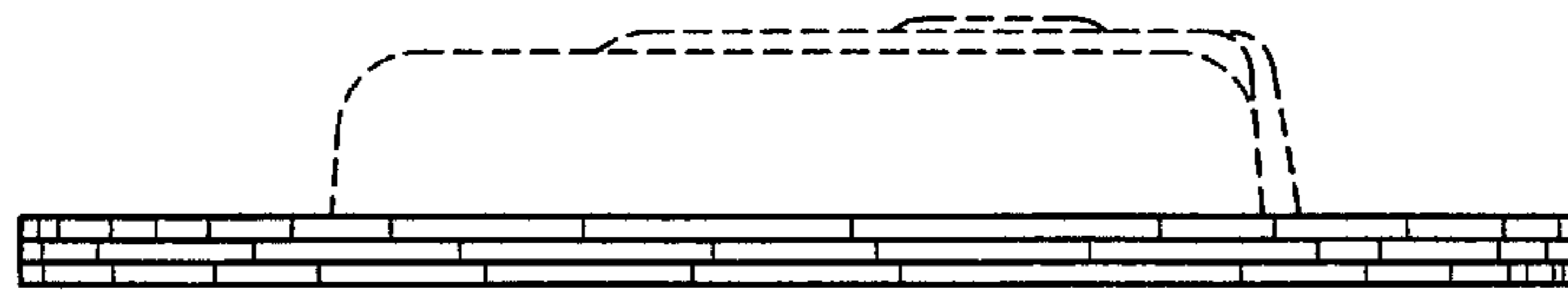


FIG. 7

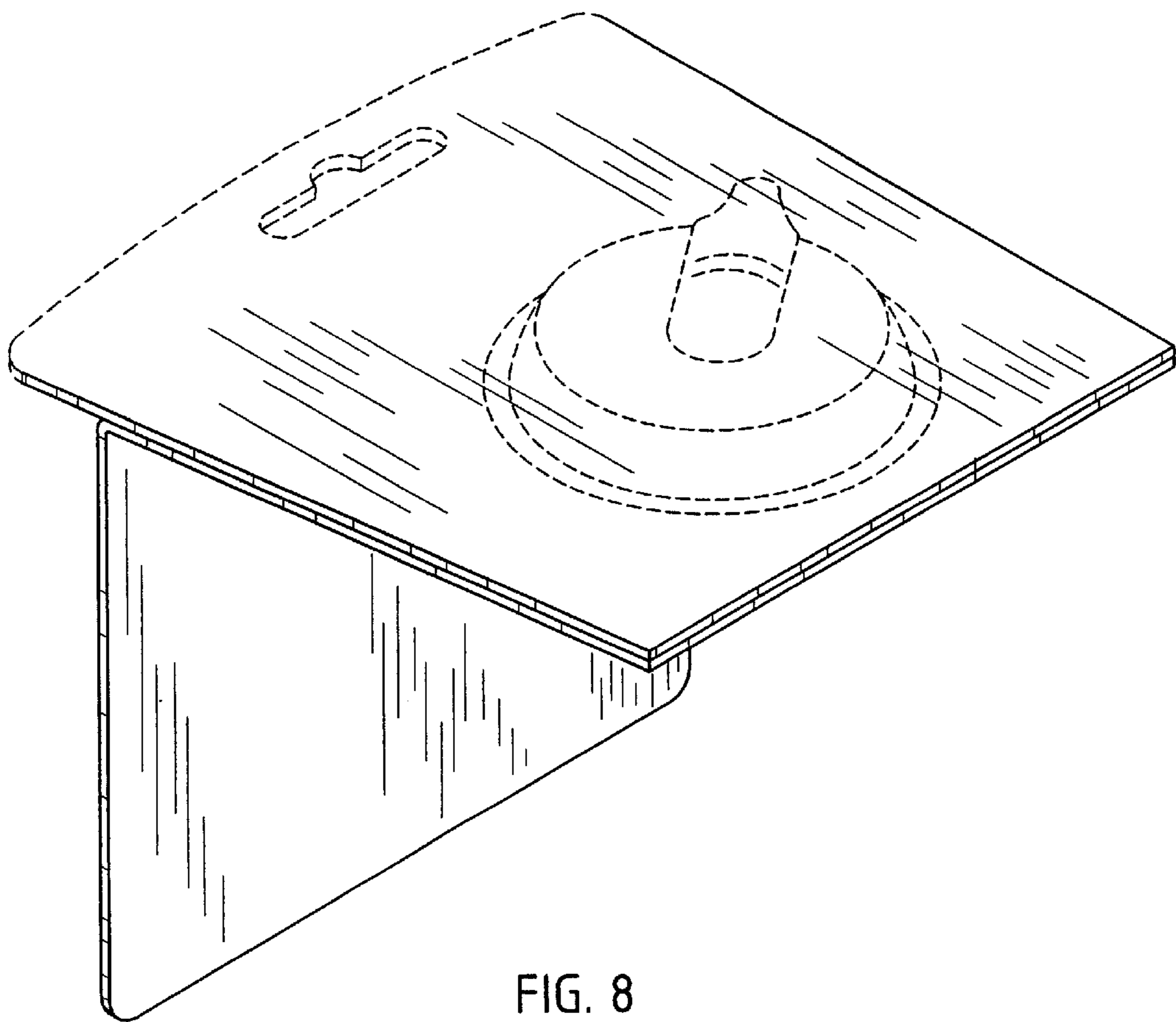


FIG. 8

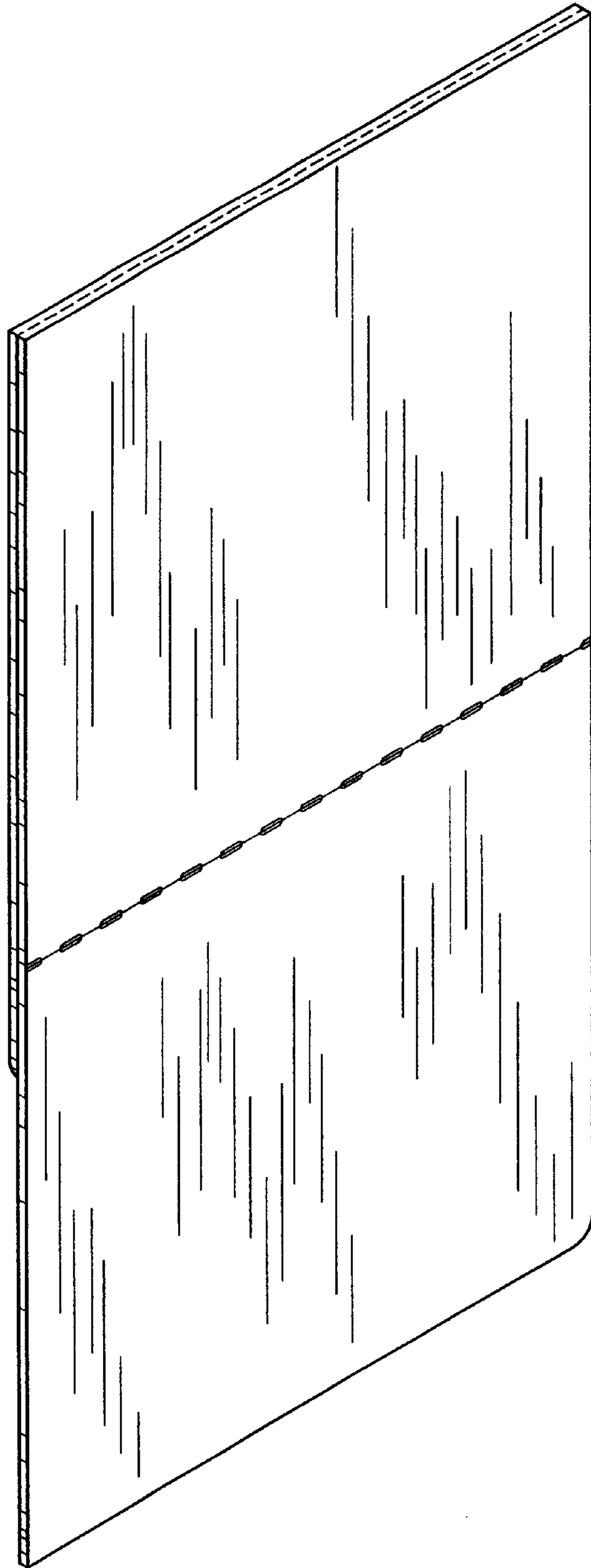


FIG. 9