



US00D454297S

(12) **United States Design Patent**
Davis

(10) **Patent No.:** **US D454,297 S**

(45) **Date of Patent:** **** Mar. 12, 2002**

(54) **COMPRESSED FABRIC ARTICLE PACKAGE
HAVING A TRACTOR-TRAILER SHAPE**

Primary Examiner—Terry A. Wallace
(74) *Attorney, Agent, or Firm*—Brown, Martin, Haller & McClain, LLP

(76) **Inventor:** **Alan Davis**, 5830 Oberlin Dr., Suite 202, San Diego, CA (US) 92121

(**) **Term:** **14 Years**

(57) **CLAIM**

The ornamental design for a compressed fabric article package having a tractor-trailer shape, as shown.

(21) **Appl. No.:** **29/138,975**

(22) **Filed:** **Mar. 22, 2001**

DESCRIPTION

(51) **LOC (7) Cl.** **09-03**

FIG. 1 is a front view of a compressed fabric article package having a tractor-trailer shape, showing my new design;

(52) **U.S. Cl.** **D9/308**

FIG. 2 is a top plan view thereof;

(58) **Field of Search** D9/307, 308; D21/424, D21/434, 552, 558, 560; 206/457; 229/116.1–116.5

FIG. 3 is a rear view thereof;

(56) **References Cited**

U.S. PATENT DOCUMENTS

FIG. 4 is a bottom plan view thereof;

FIG. 5 is a right side elevational view thereof; and,

4,643,349 A * 2/1987 Sheffer 229/116.4

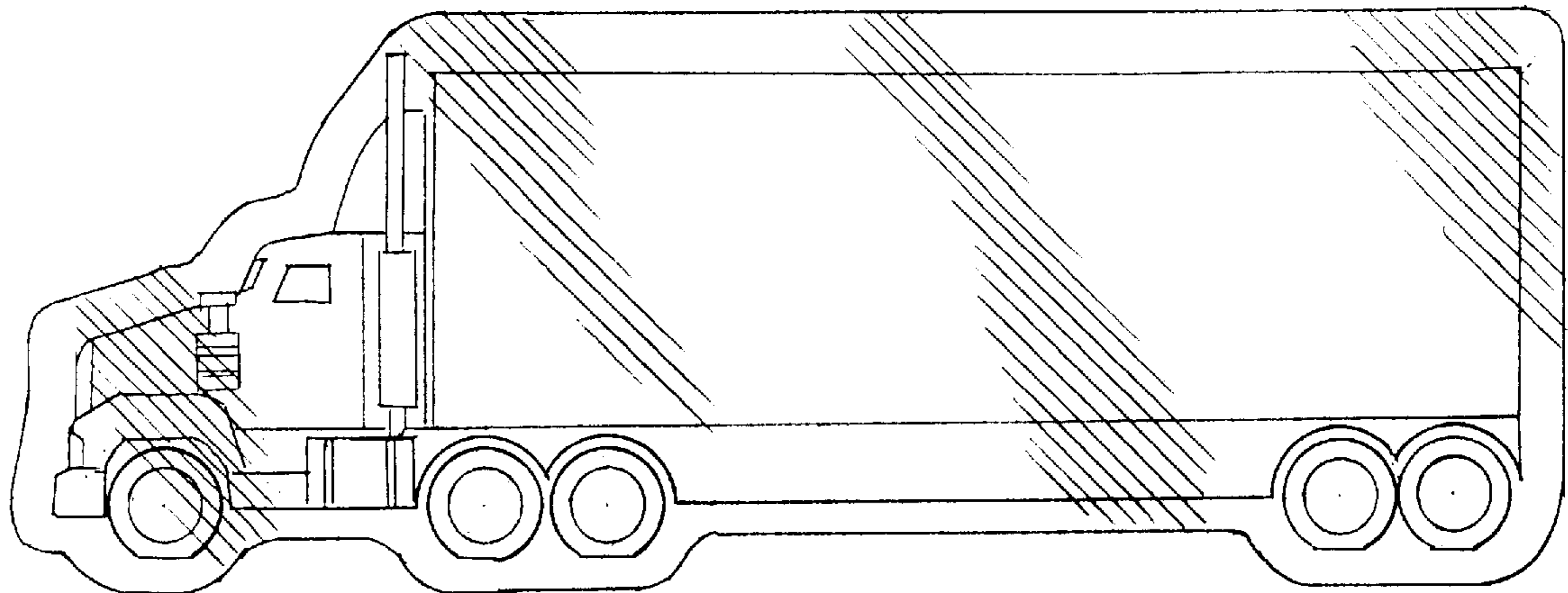
D371,959 S * 7/1996 Cupp D9/308

D386,399 S * 11/1997 Stokley et al. D9/308

FIG. 6 is a left side elevational view thereof.

* cited by examiner

1 Claim, 1 Drawing Sheet



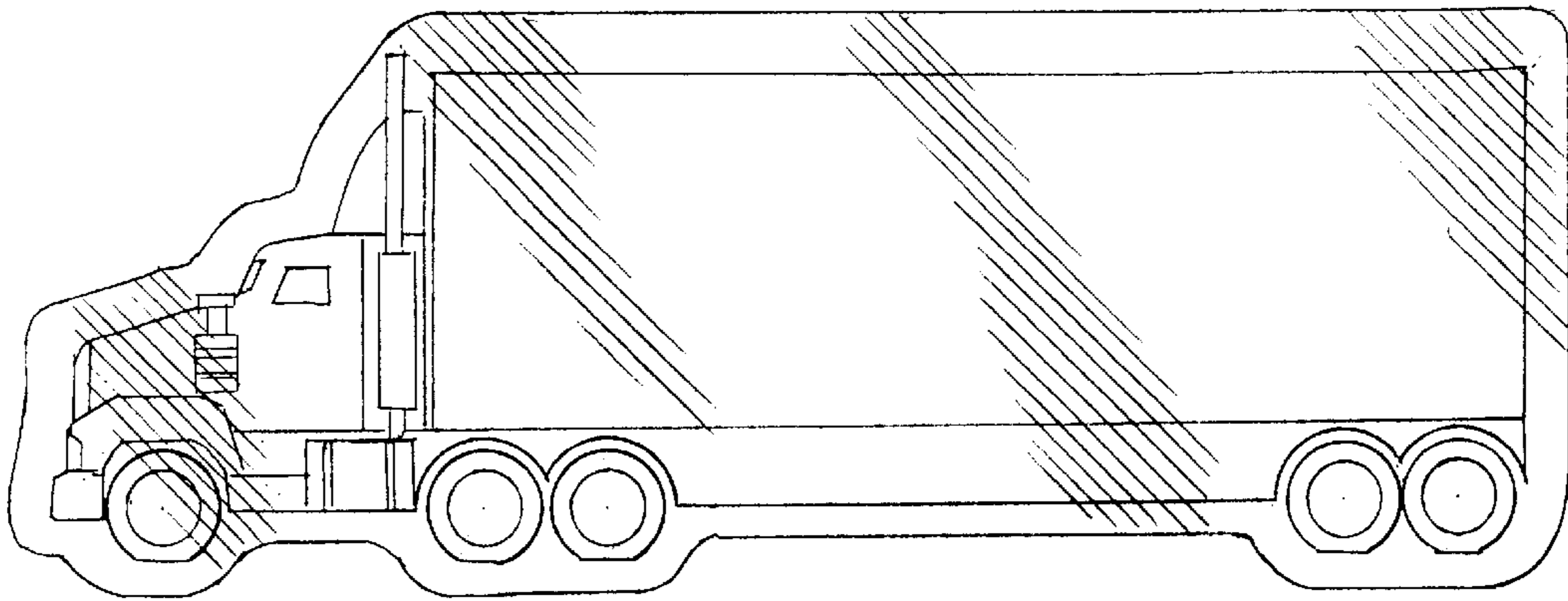


FIG. 1

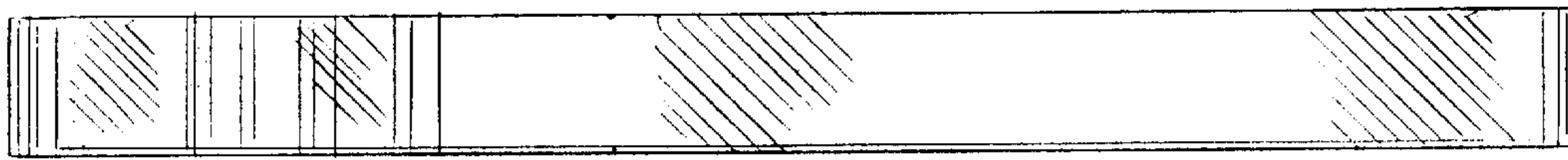


FIG. 2

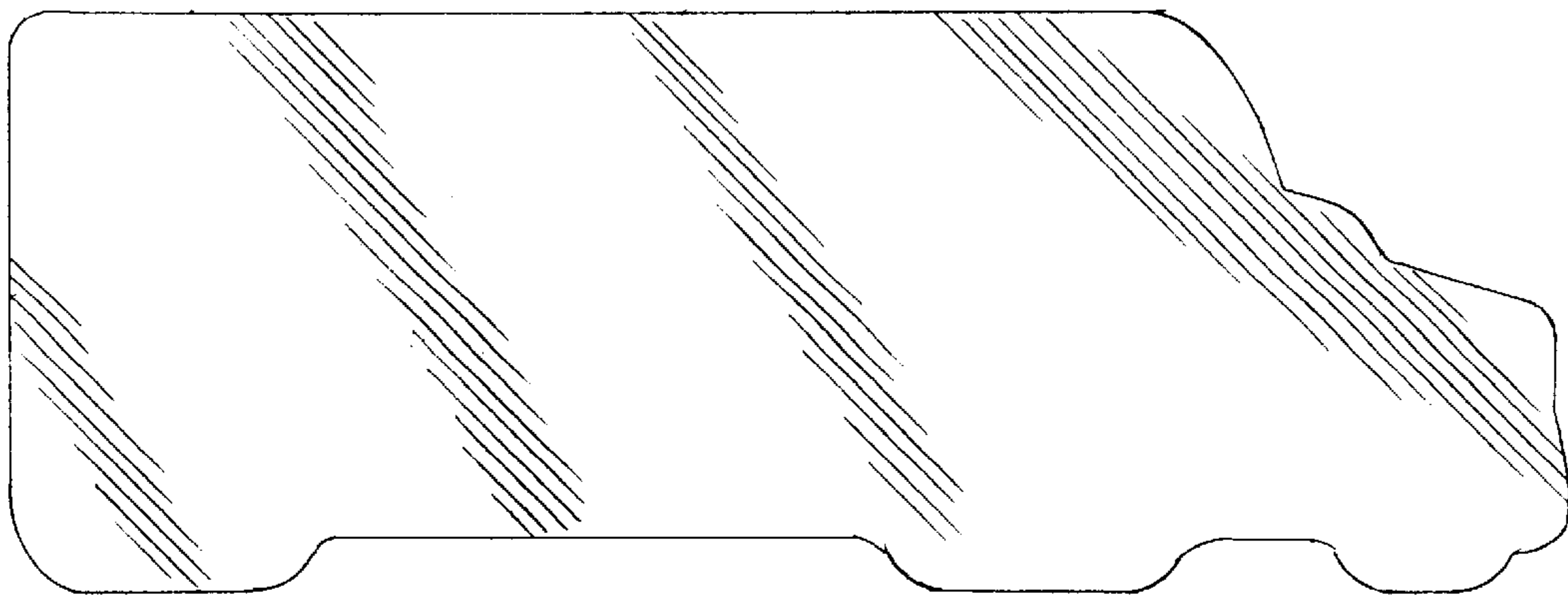


FIG. 3

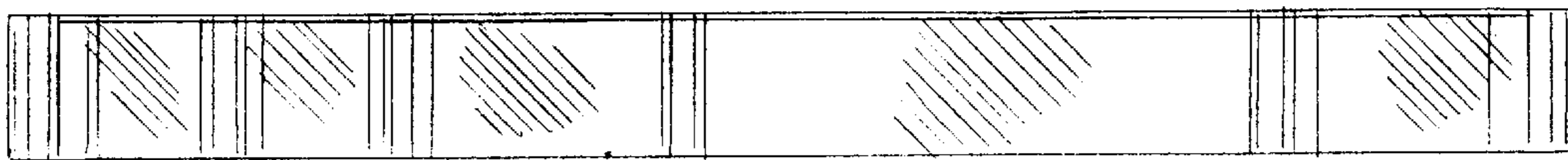


FIG. 4

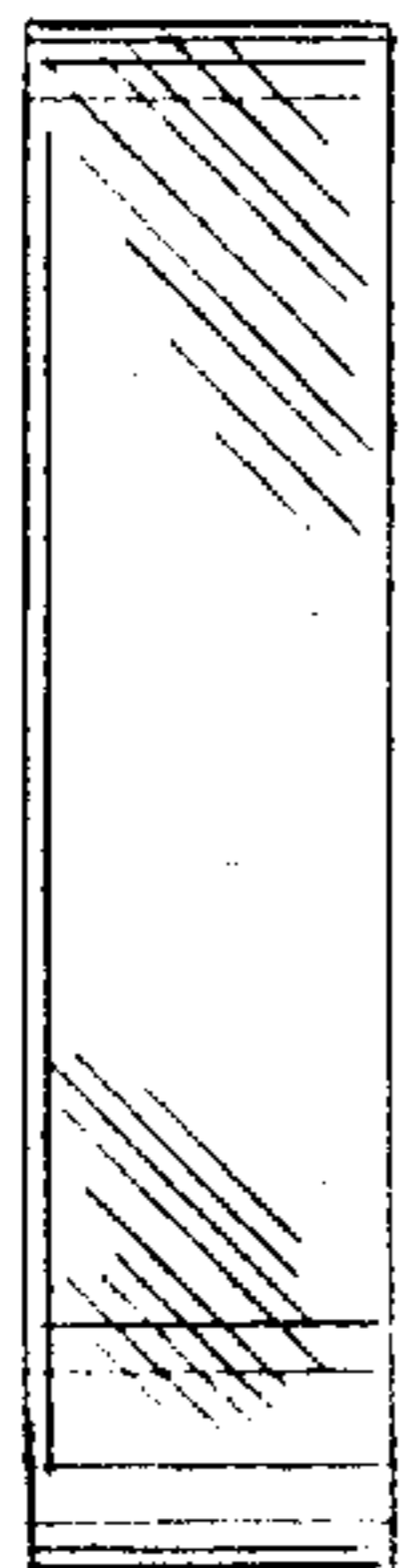


FIG. 5

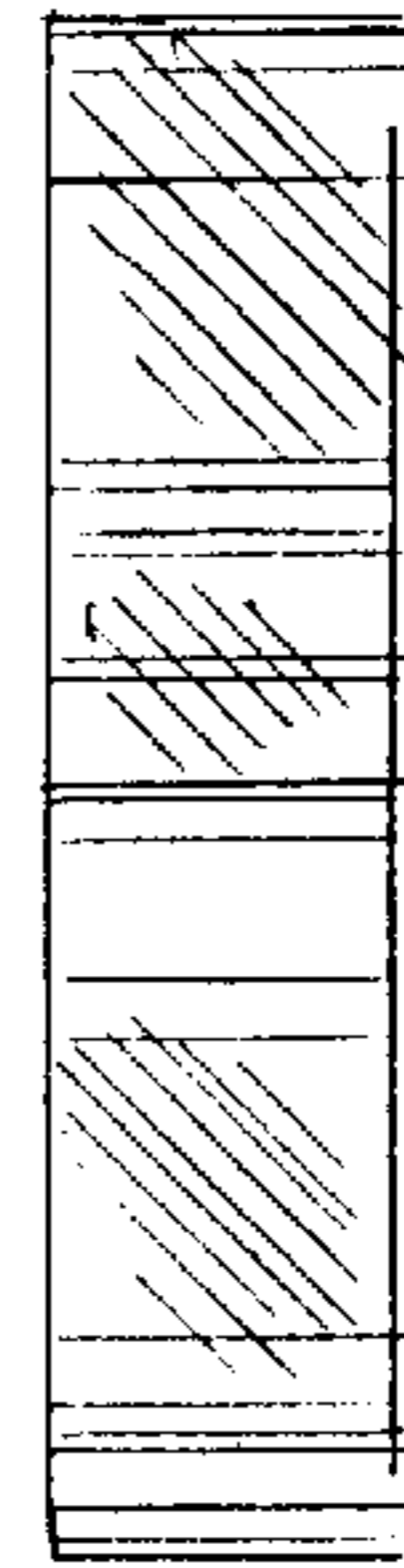


FIG. 6