



US00D454296S

(12) **United States Design Patent**
Masson et al.

(10) **Patent No.:** **US D454,296 S**

(45) **Date of Patent:** **** Mar. 12, 2002**

(54) **CLIP FOR X-RAY CASSETTES**

(75) Inventors: **Marcos V. Masson; Mark Henry**, both of Houston, TX (US)

(73) Assignee: **Global Orthopaedic Solutions, L.L.C.**, Houston, TX (US)

(**) Term: **14 Years**

(21) Appl. No.: **29/145,721**

(22) Filed: **Jul. 30, 2001**

(51) **LOC (7) Cl.** **08-08**

(52) **U.S. Cl.** **D8/395**

(58) **Field of Search** D8/394-6; D32/61, D32/64; D24/161; D14/121; 24/499, 500, 501, 502, 507, 530, 545, 556, 561, 564

(56) **References Cited**

U.S. PATENT DOCUMENTS

- 586,937 A * 7/1897 Sell
- 989,635 A * 4/1911 Peterson
- 1,306,073 A * 6/1919 Mertens
- 1,946,561 A * 2/1934 Widerman
- 3,101,725 A * 8/1963 Reiner
- 3,114,950 A * 12/1963 Sellman

- 3,141,218 A * 7/1964 Eckman
- 3,402,442 A * 9/1968 Kruger et al.
- 5,179,768 A * 1/1993 Jio
- 5,361,463 A * 11/1994 Revis
- D447,048 S * 8/2001 Beloff

* cited by examiner

Primary Examiner—B. J. Bullock

(74) *Attorney, Agent, or Firm*—Harrison & Egbert

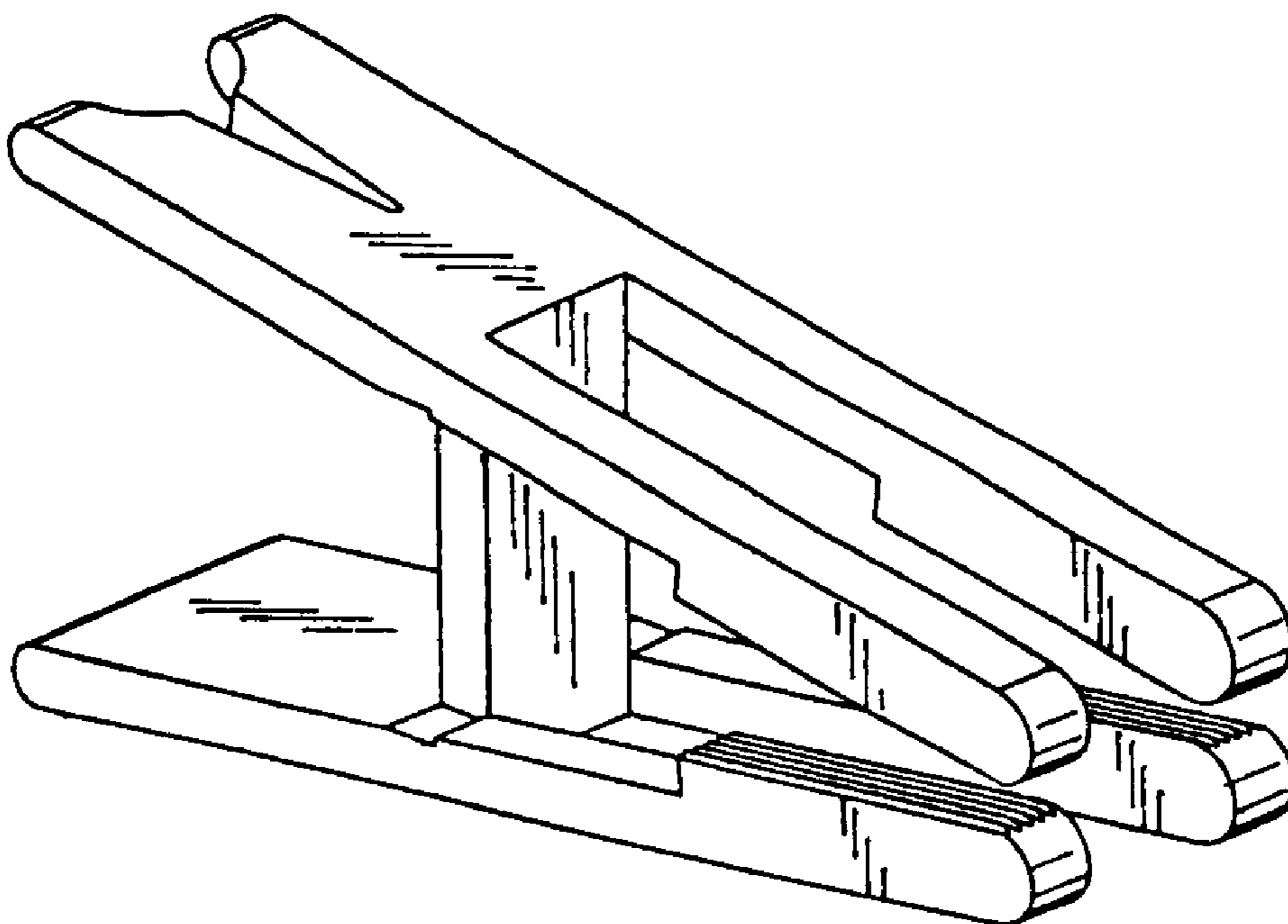
(57) **CLAIM**

The ornamental design for a clip for x-ray cassettes, as shown and described.

DESCRIPTION

FIG. 1 is a side elevational view of the clip for x-ray cassettes showing my new design;
 FIG. 2 is a top plan view thereof;
 FIG. 3 is a perspective view of thereof taken from the front and one side, the opposite side being a mirror image of that shown;
 FIG. 4 is a perspective view of thereof taken from the rear; and,
 FIG. 5 is a perspective view of thereof taken from the bottom.

1 Claim, 1 Drawing Sheet



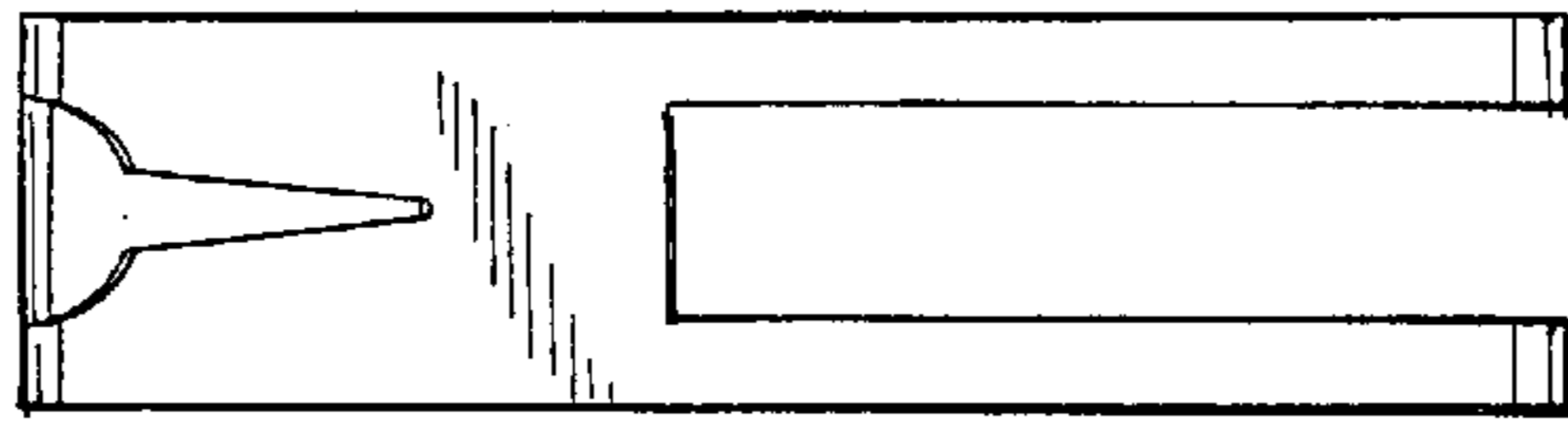


Fig. 2

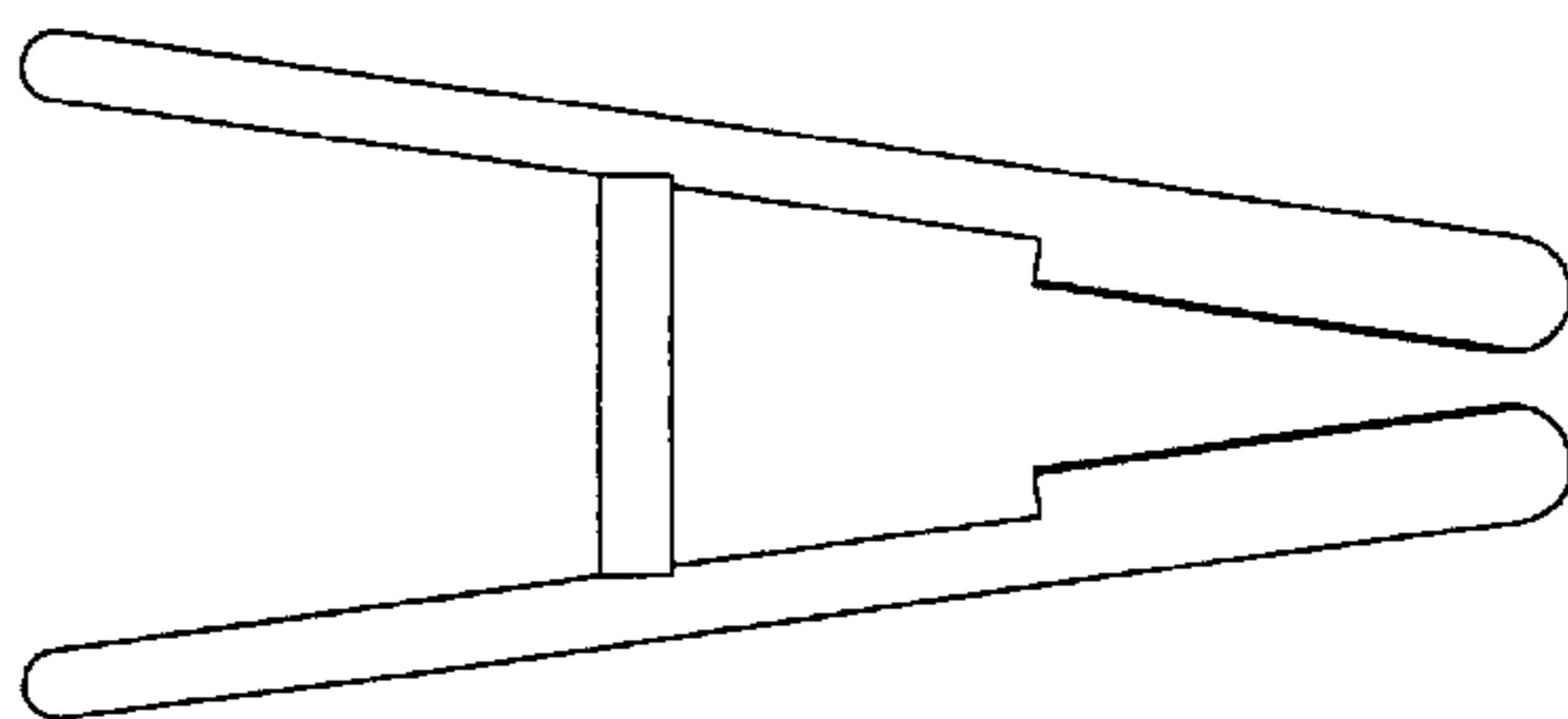


Fig. 1

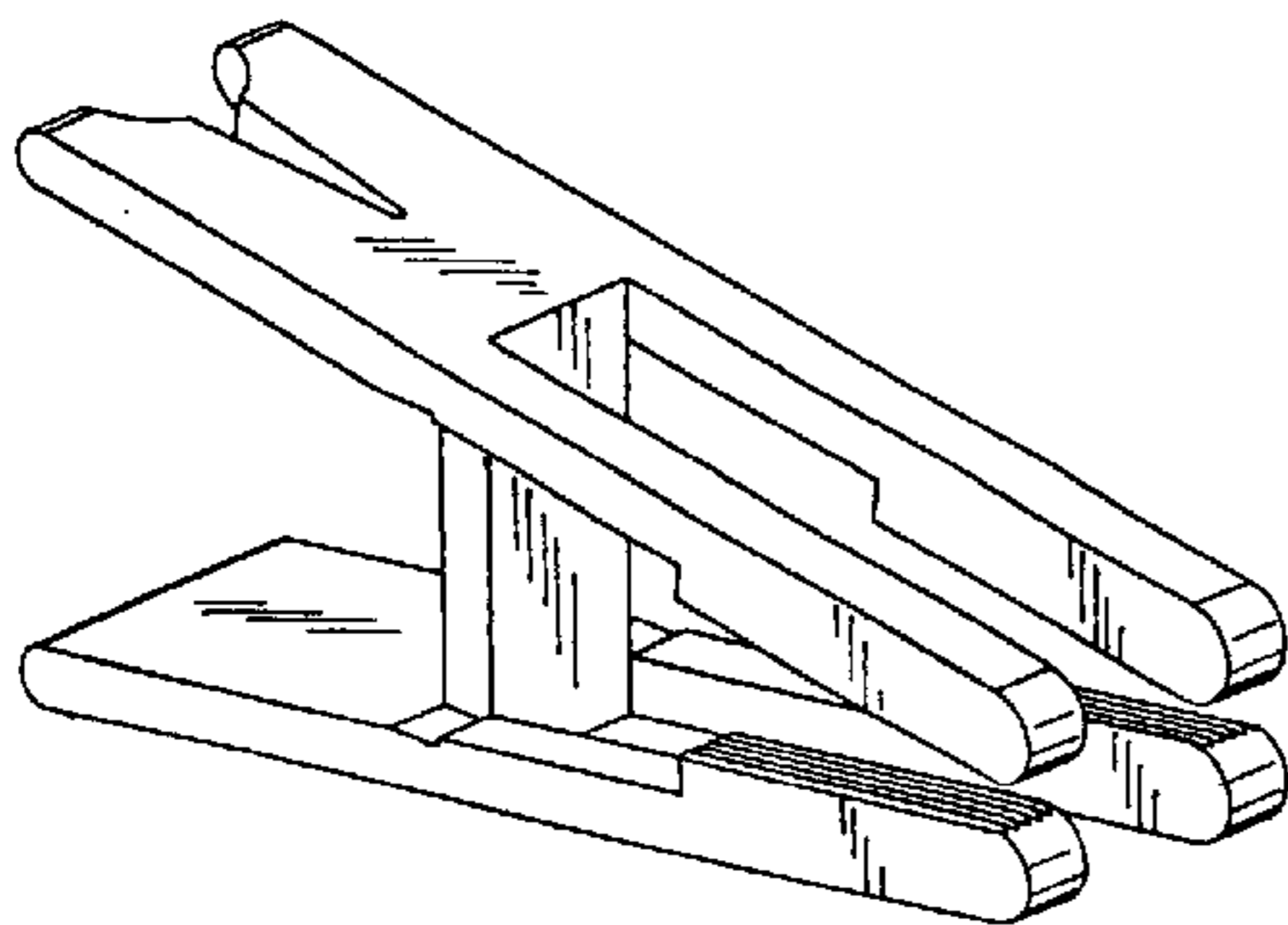


Fig. 3

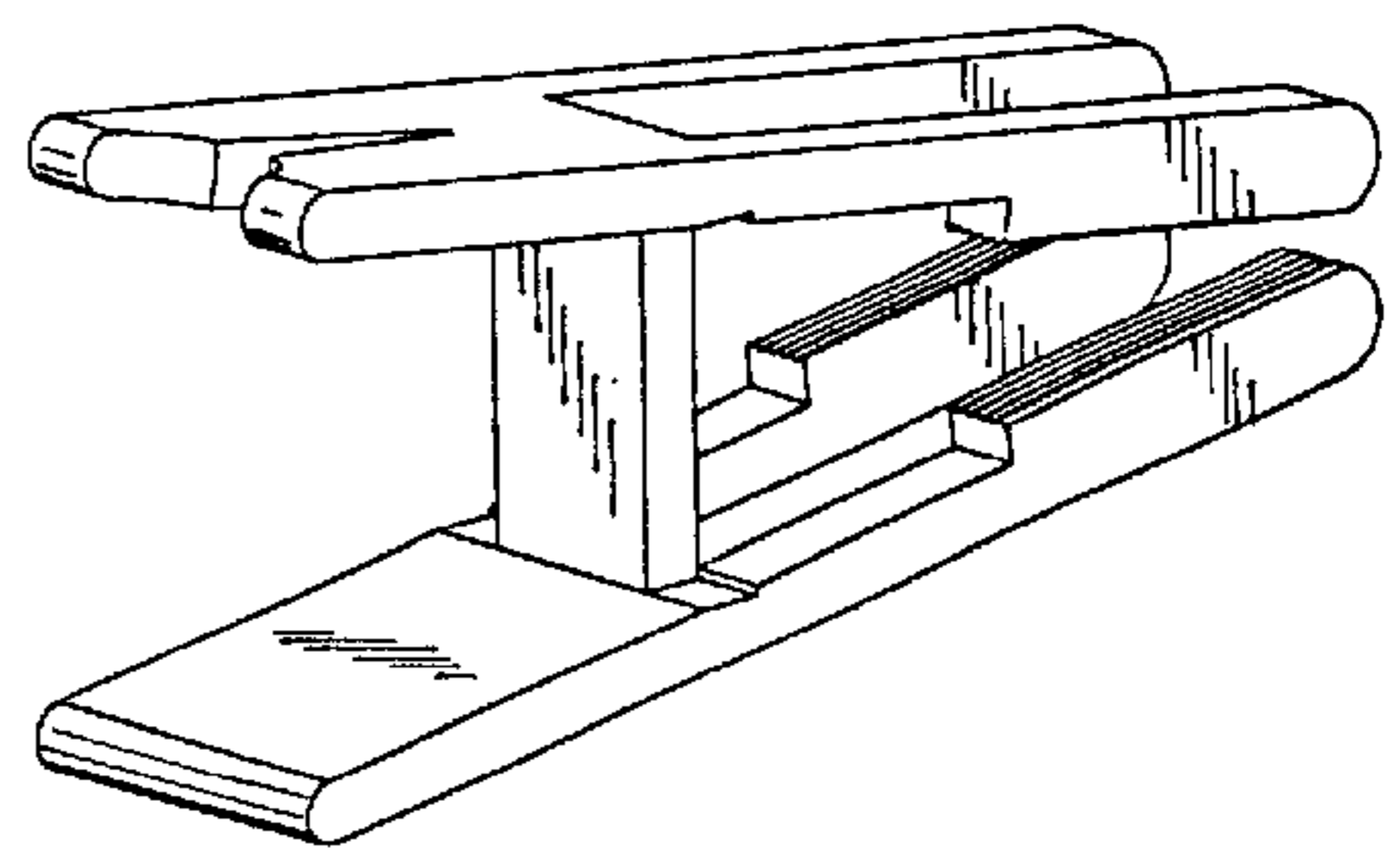


Fig. 4

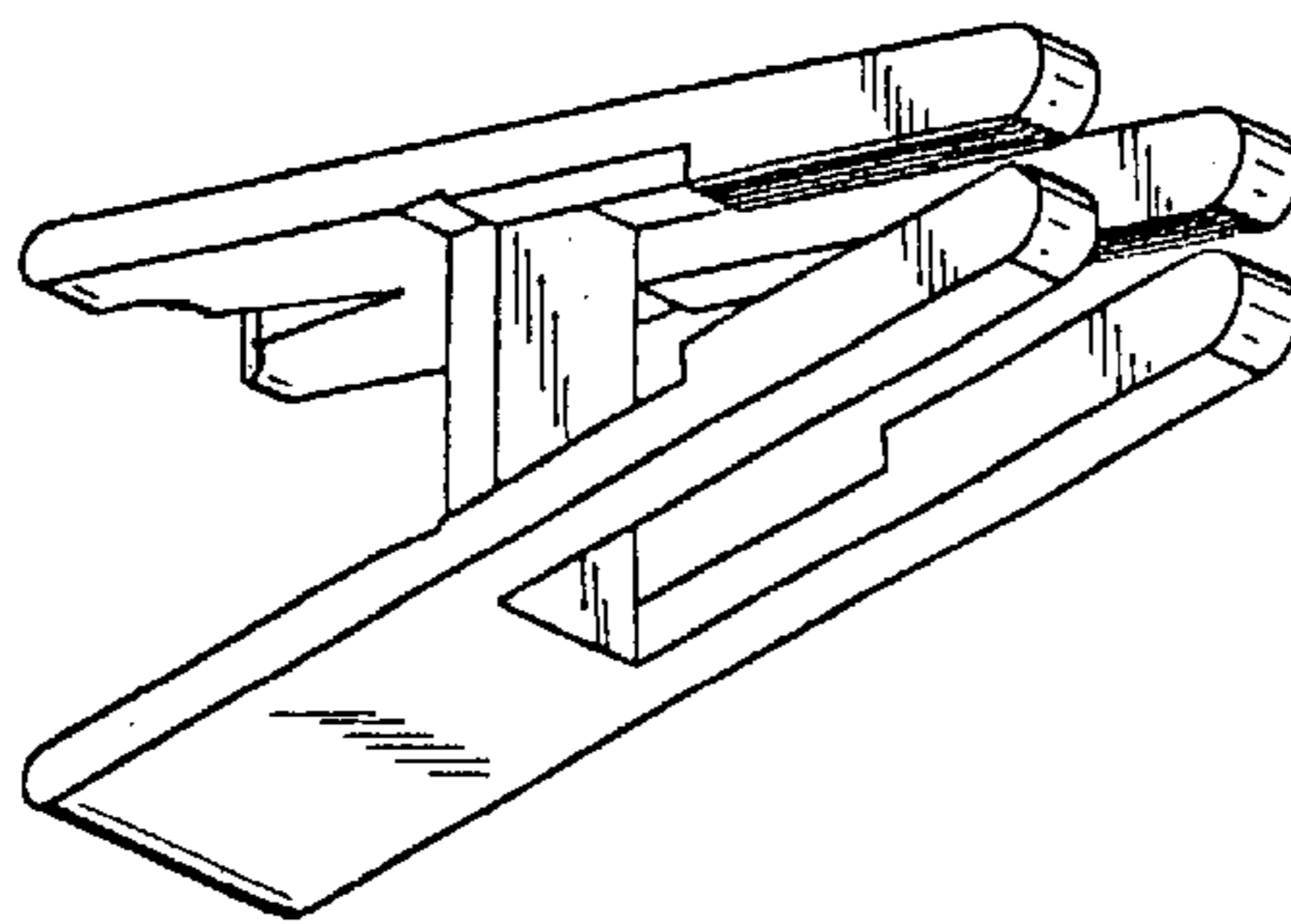


Fig. 5