



US00D454295S

(12) **United States Design Patent**
Hallgrimsson

(10) **Patent No.:** **US D454,295 S**

(45) **Date of Patent:** **** Mar. 12, 2002**

(54) **T-CONNECTOR**

(75) **Inventor:** **Bjarki H. Hallgrimsson**, Bridgetown (BB)

(73) **Assignee:** **Random Products Trust (BB)**

(**) **Term:** **14 Years**

(21) **Appl. No.:** **29/126,236**

(22) **Filed:** **Jul. 10, 2000**

(30) **Foreign Application Priority Data**

Jan. 25, 2000 (CA) 2000-0168

(51) **LOC (7) Cl.** **08-08**

(52) **U.S. Cl.** **D8/382; D8/380**

(58) **Field of Search** D8/382; D23/262, D23/266; 403/170, 171, 176, 217, 292, 298, 205, DIG. 10

(56) **References Cited**

U.S. PATENT DOCUMENTS

D186,405 S * 10/1959 Hollaender D8/382

D235,415 S * 6/1975 Martini D8/382
D374,606 S * 10/1996 Yeh D8/382
D374,812 S * 10/1996 Hirano et al. D6/382
D417,916 S * 12/1999 Ribe D25/38
D423,918 S * 5/2000 Hirano et al. D8/382

* cited by examiner

Primary Examiner—Alan P. Douglas
Assistant Examiner—Clare E. Heflin

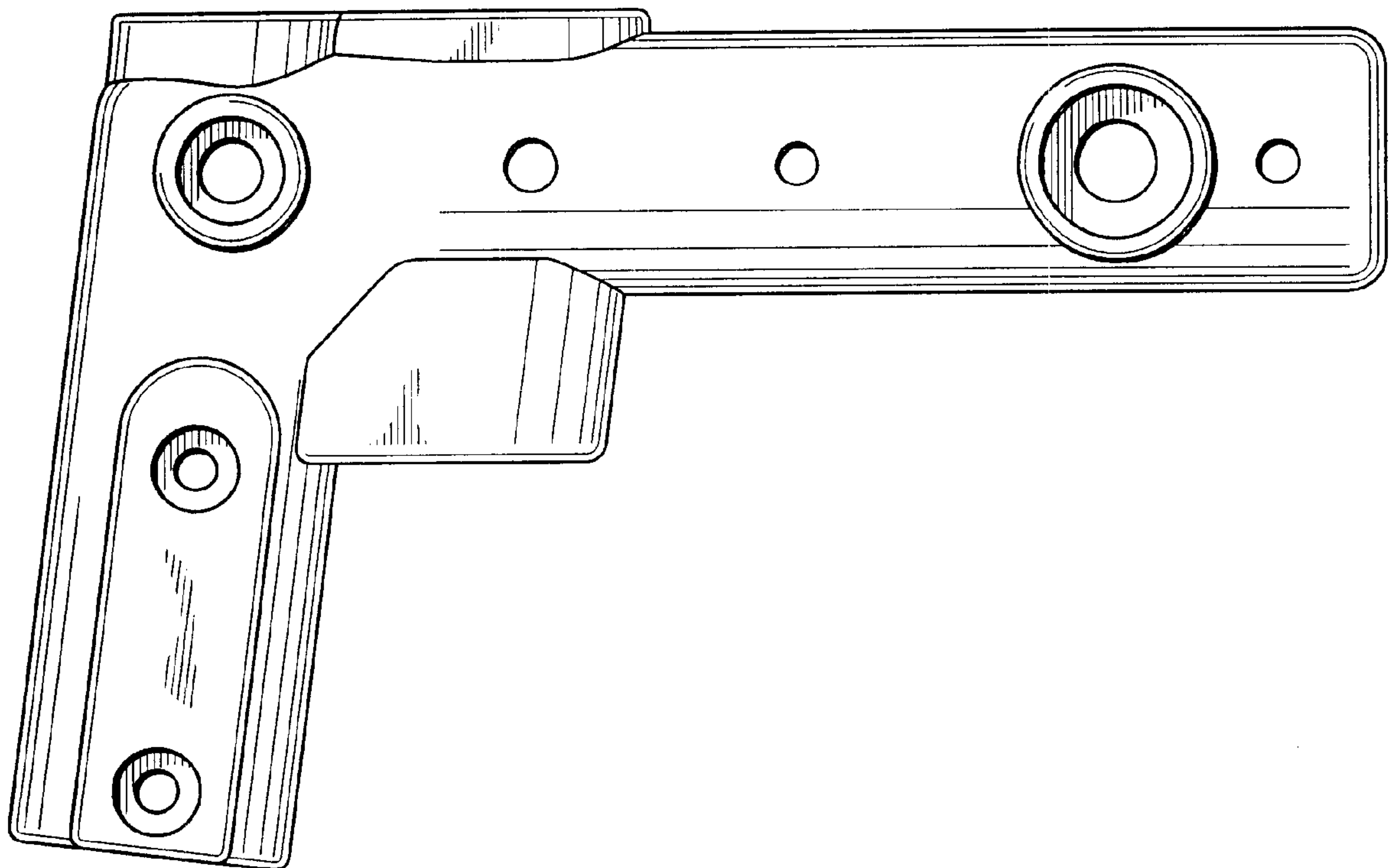
(57) **CLAIM**

The ornamental design for a T-connector, as shown and described.

DESCRIPTION

FIG. 1 is a side view of the T-connector showing my new design;
FIG. 2 is a top view thereof;
FIG. 3 is a bottom view thereof;
FIG. 4 is a front view thereof;
FIG. 5 is a rear view thereof; and,
FIG. 6 is a side view showing the side opposite to FIG. 1 thereof.

1 Claim, 2 Drawing Sheets



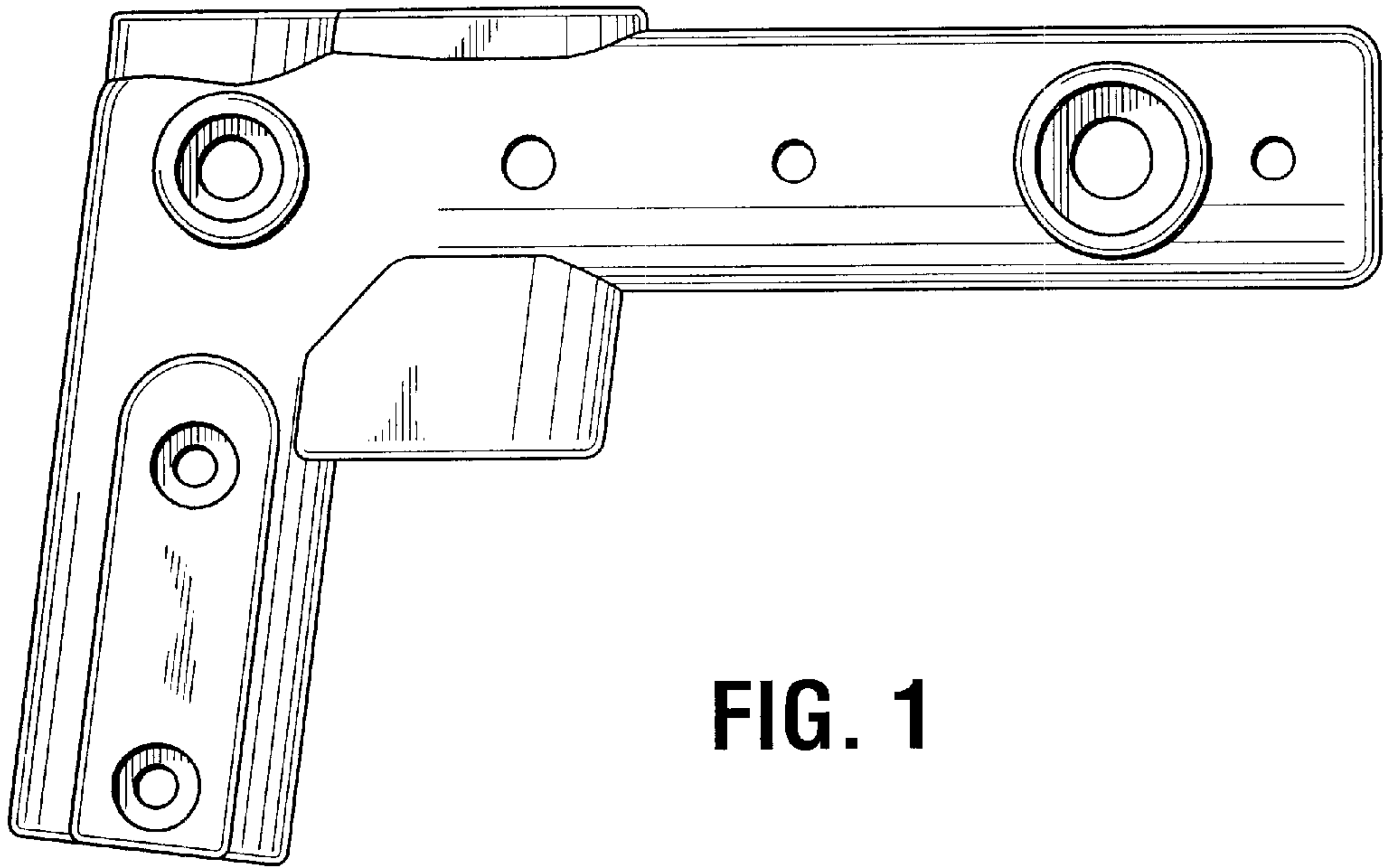


FIG. 1

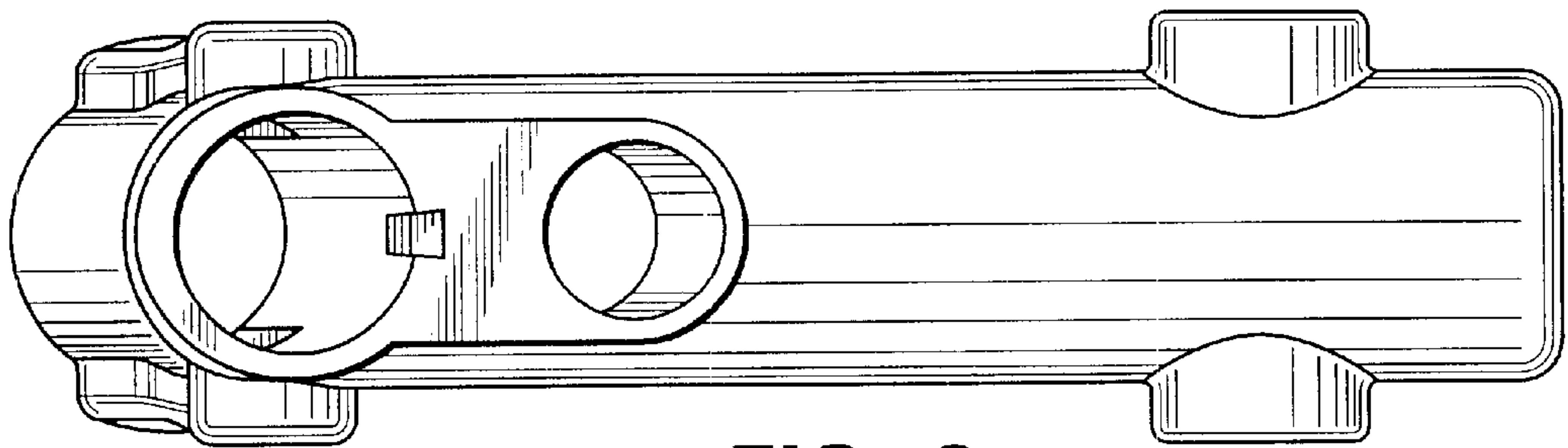


FIG. 2

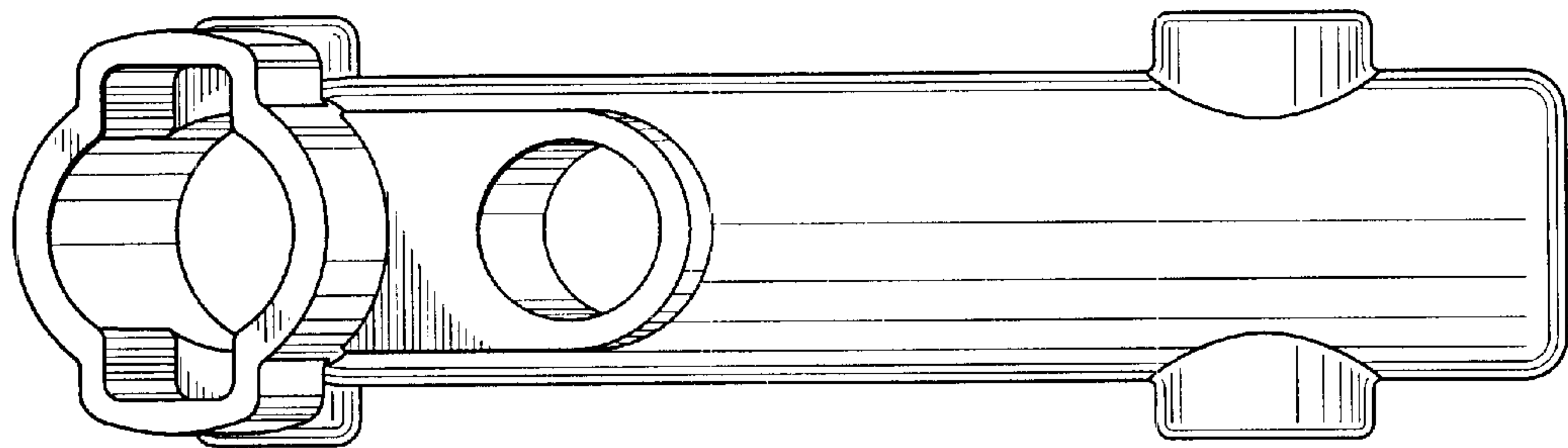


FIG. 3

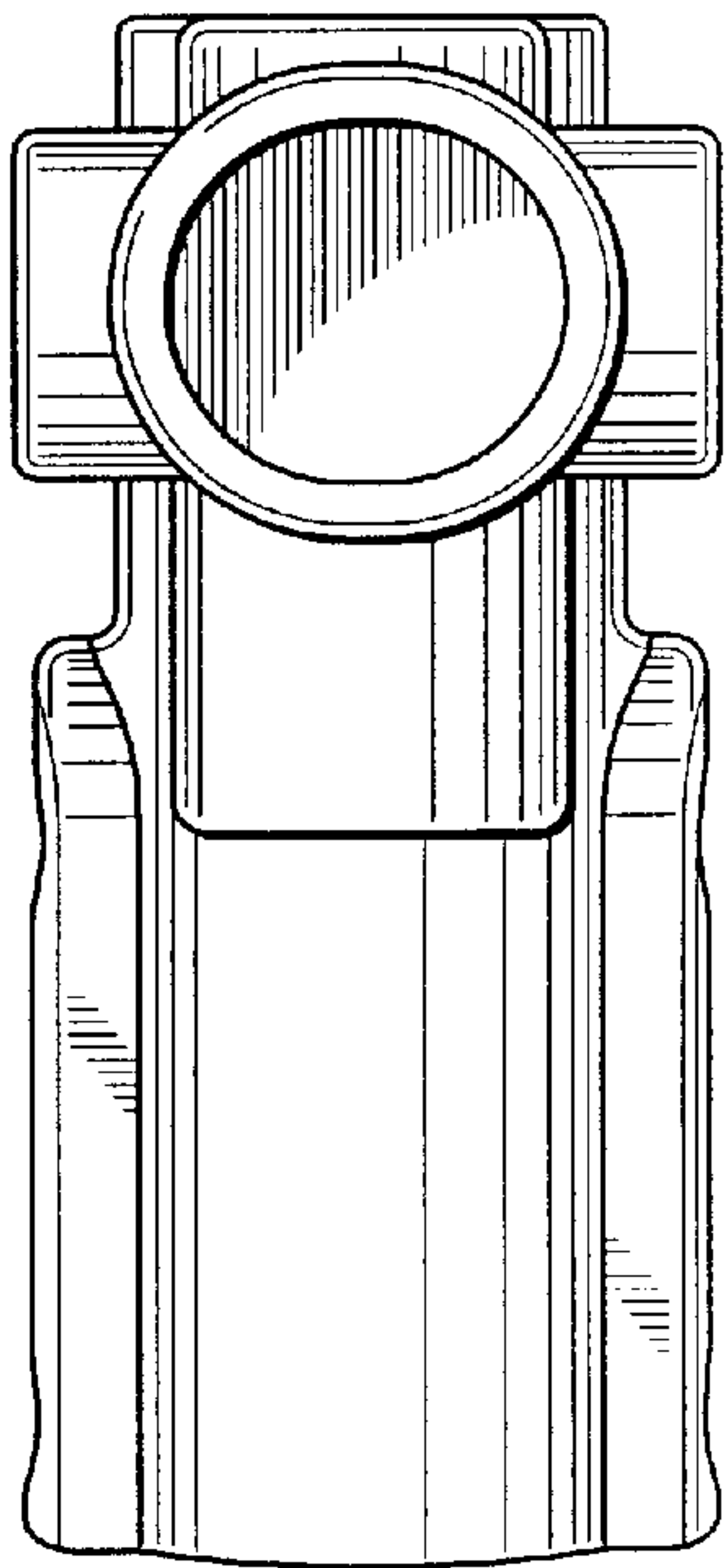


FIG. 4

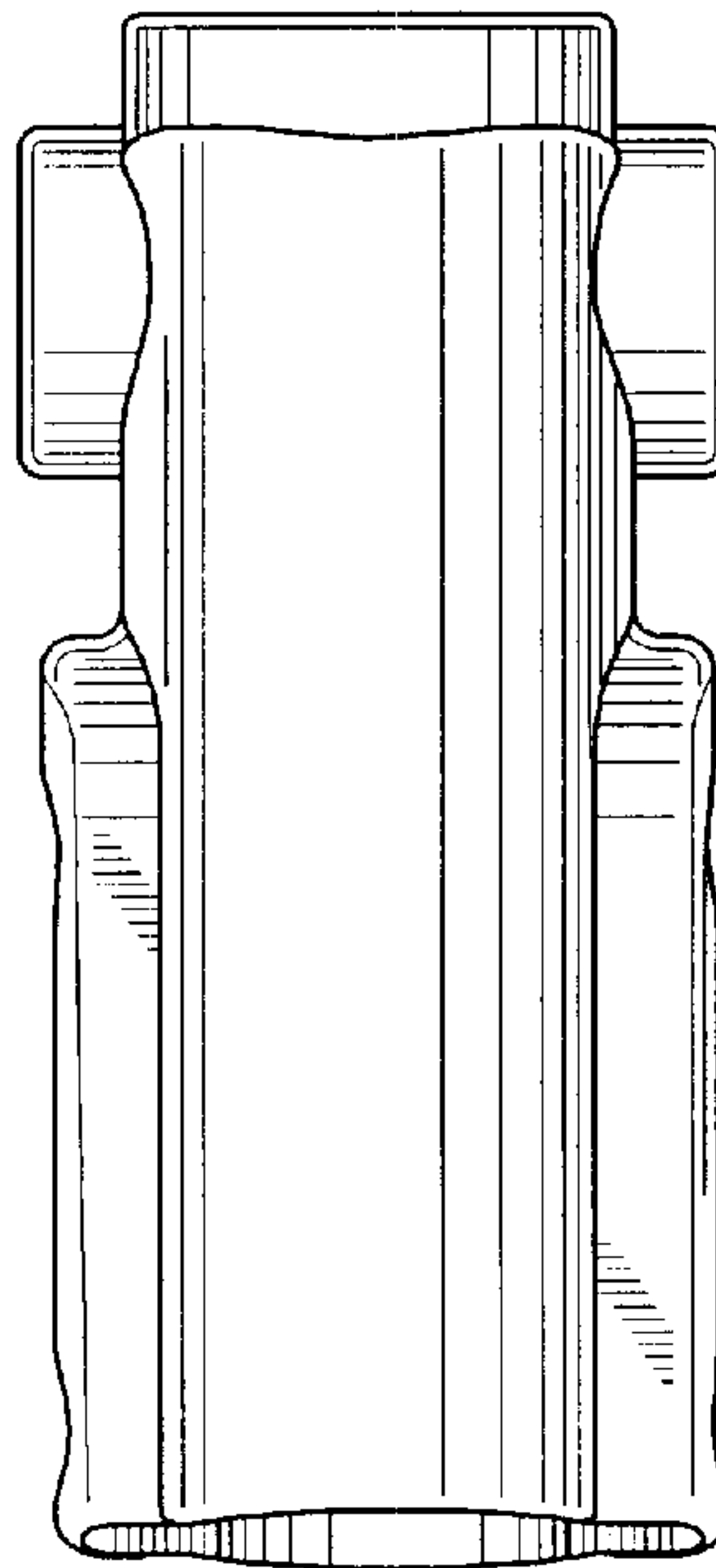


FIG. 5

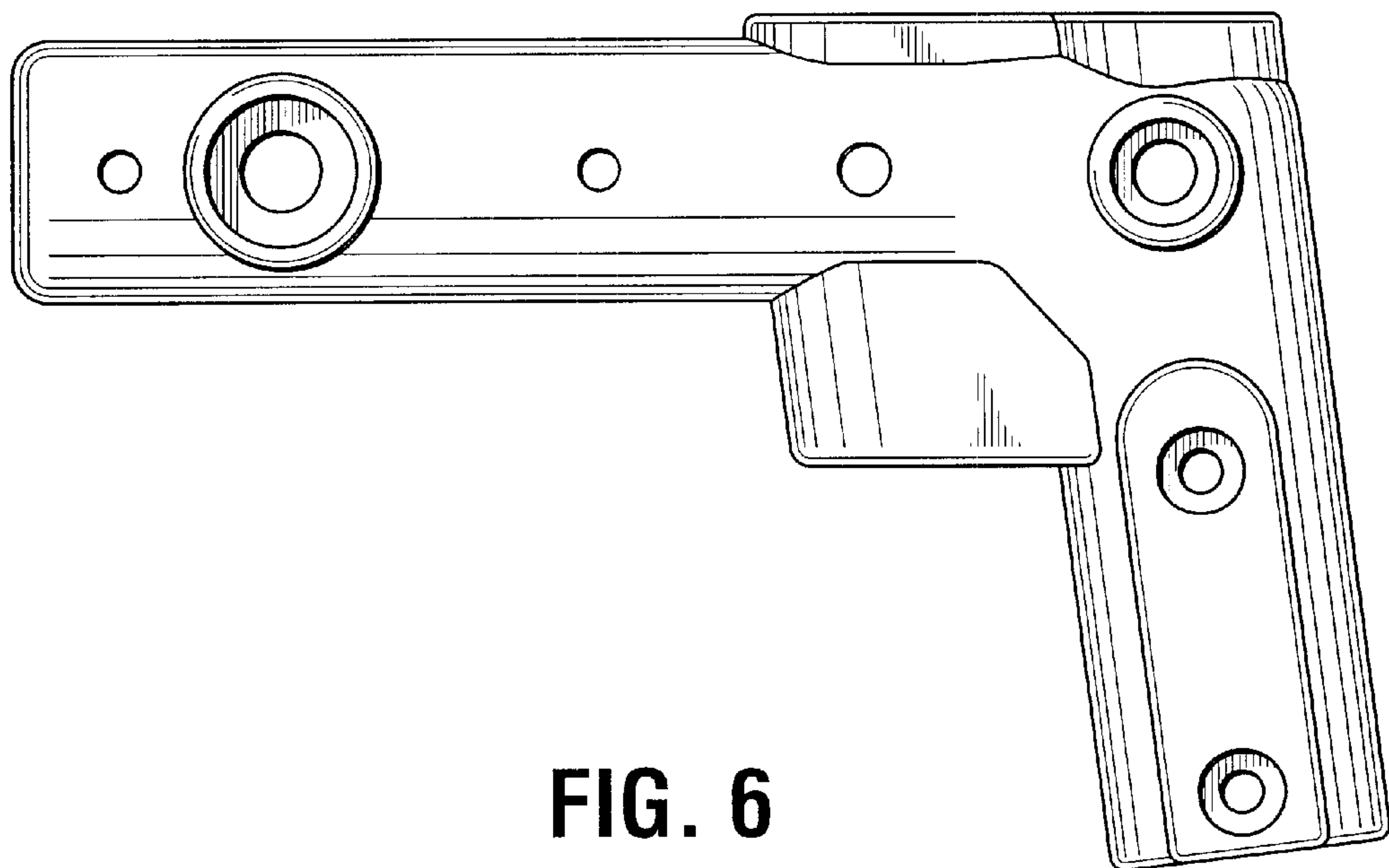


FIG. 6