

US00D454289S

(12) **United States Design Patent**  
**Huang**

(10) **Patent No.:** **US D454,289 S**

(45) **Date of Patent:** **\*\* Mar. 12, 2002**

(54) **STAPLER**

D411,422 S \* 6/1999 Juhlin et al. .... D8/49

(76) Inventor: **Chien-Kai Huang**, No. 136, Tsu  
Chiang Road, Chang Hua City (TW)

(\*\*) Term: **14 Years**

(21) Appl. No.: **29/136,888**

(22) Filed: **Feb. 9, 2001**

(51) **LOC (7) Cl.** ..... **19-02**

(52) **U.S. Cl.** ..... **D8/49**

(58) **Field of Search** ..... D8/48, 50, 61,  
D8/69; D19/72; 227/120, 127, 128, 130,  
131, 132, 134, 156

(56) **References Cited**

**U.S. PATENT DOCUMENTS**

2,309,628	A	*	2/1943	Crosby	.....	227/128
3,347,439	A	*	10/1967	Dohery	.....	227/128
4,450,998	A	*	5/1984	Ruskin	.....	227/132
4,552,296	A	*	11/1985	Sheng	.....	227/132
D284,446	S	*	7/1986	Rosenblad	.....	D8/49
D297,205	S	*	8/1988	Wang	.....	D8/49
D349,439	S	*	8/1994	Chou	.....	D8/49

**OTHER PUBLICATIONS**

Office Products, 1978 p. 101 (Multi-tak heavy duty stapler gun, item 800).\*

Hardware Age, Feb. 1986 p. 48 (Stanley stapleguns).\*

\* cited by examiner

*Primary Examiner*—Adir Aronovich

(74) *Attorney, Agent, or Firm*—Bacon & Thomas, PLLC

(57) **CLAIM**

The ornamental design for a stapler, as shown and described.

**DESCRIPTION**

FIG. 1 is a front-right-top perspective view of a stapler showing my new design;

FIG. 2 is a front elevational view thereof;

FIG. 3 is a rear elevational view thereof;

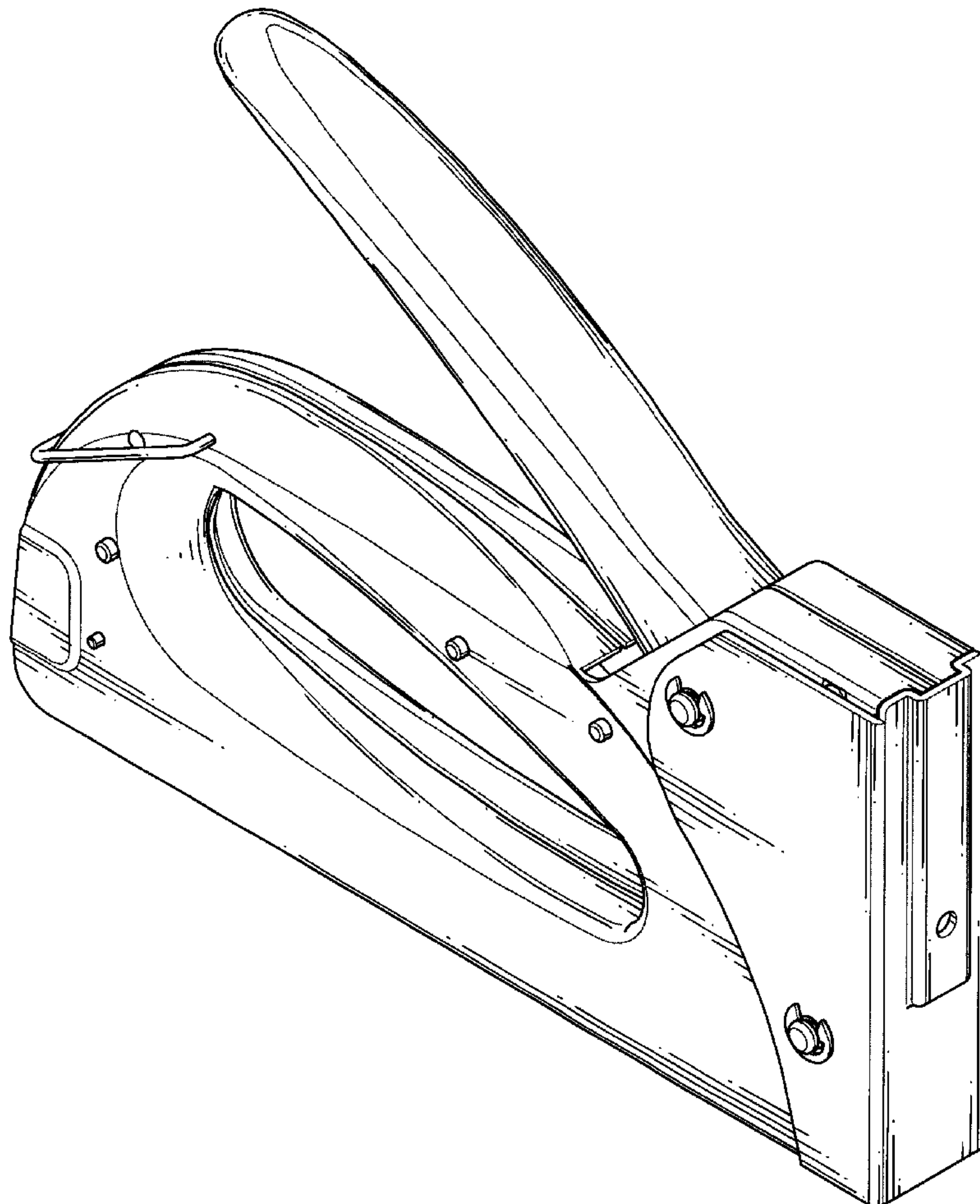
FIG. 4 is a top plan view thereof;

FIG. 5 is a bottom plan view thereof;

FIG. 6 is a left elevational view thereof; and,

FIG. 7 is a right elevational view thereof.

**1 Claim, 5 Drawing Sheets**



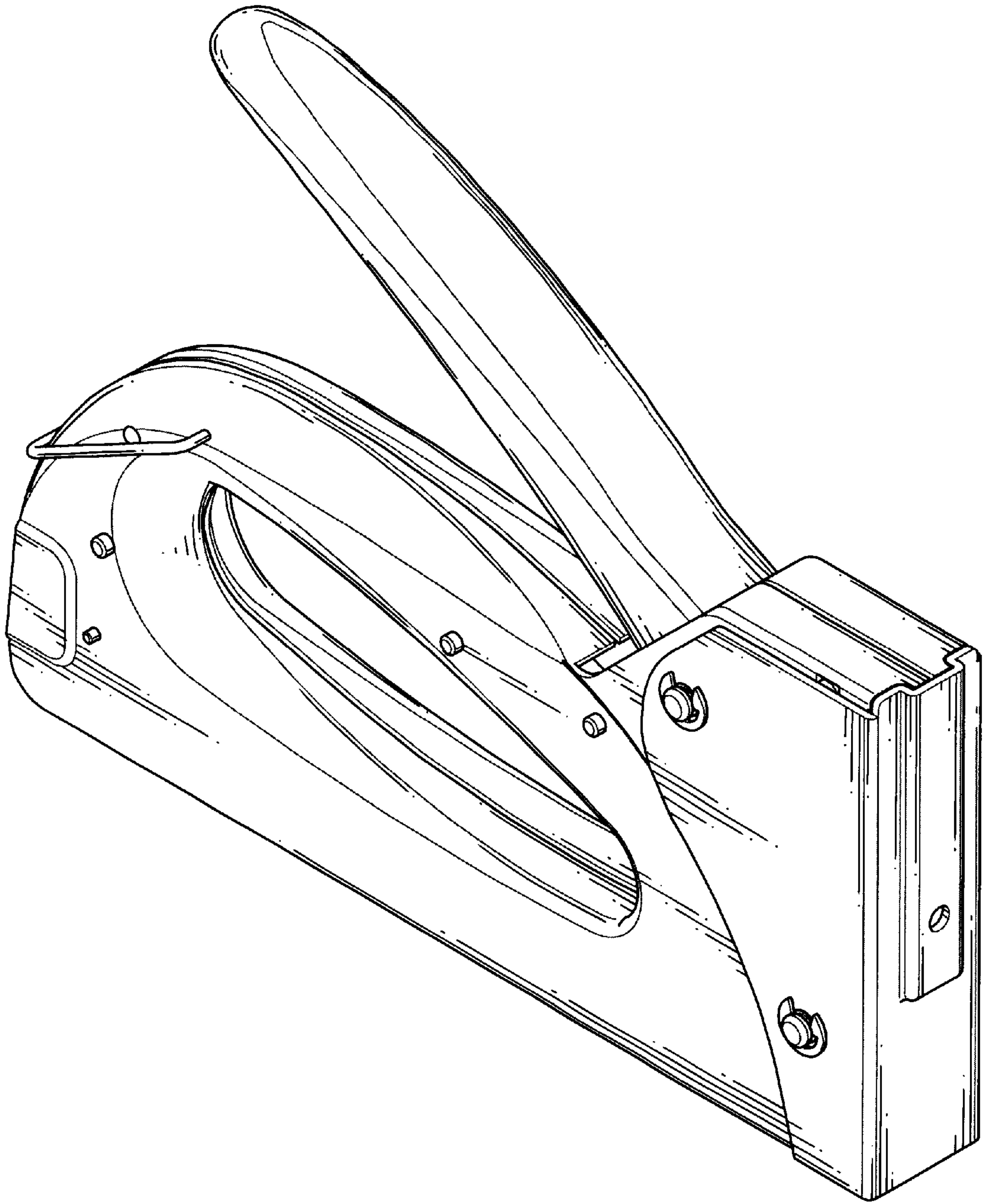


FIG. 1

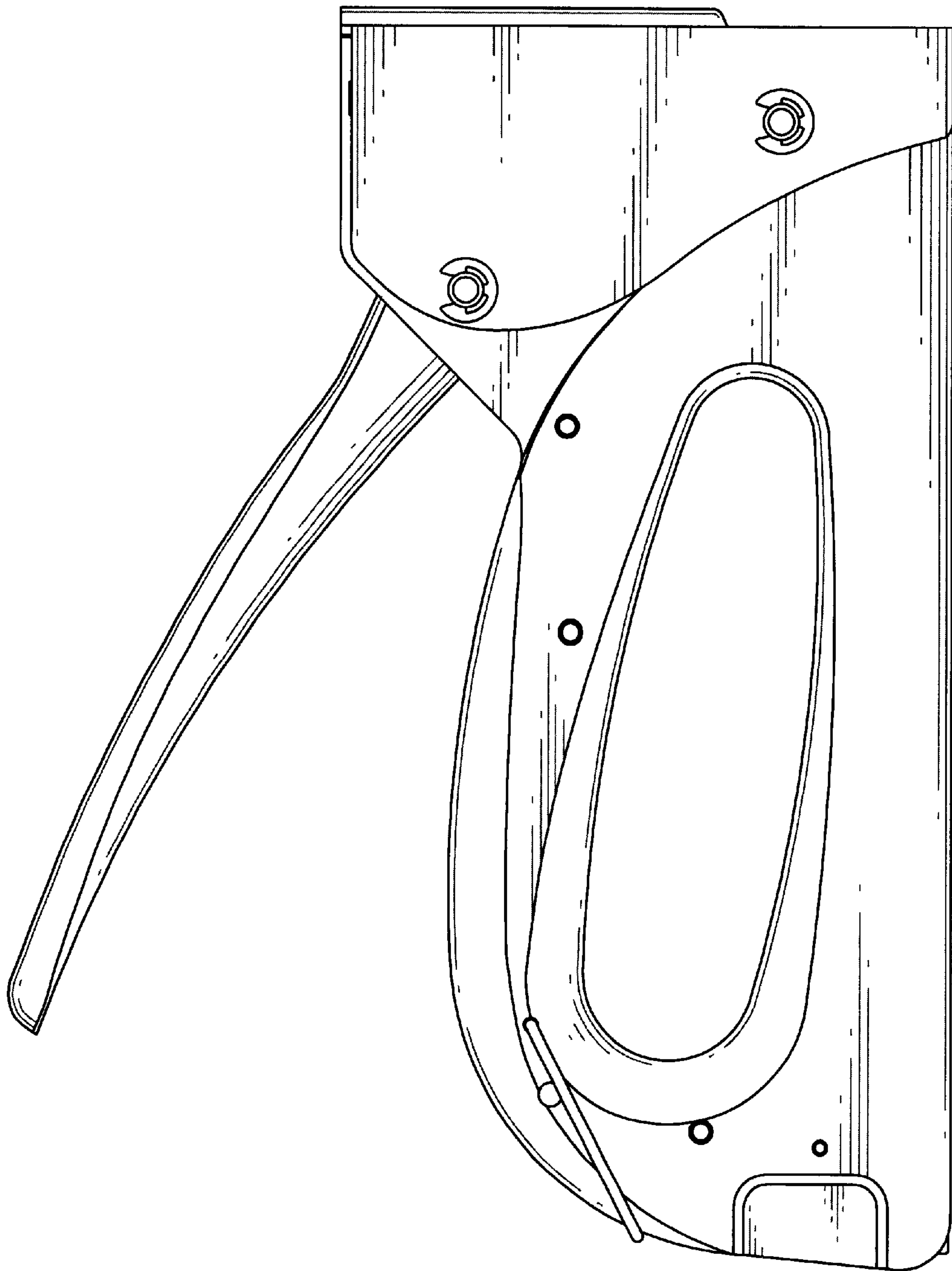


FIG.2

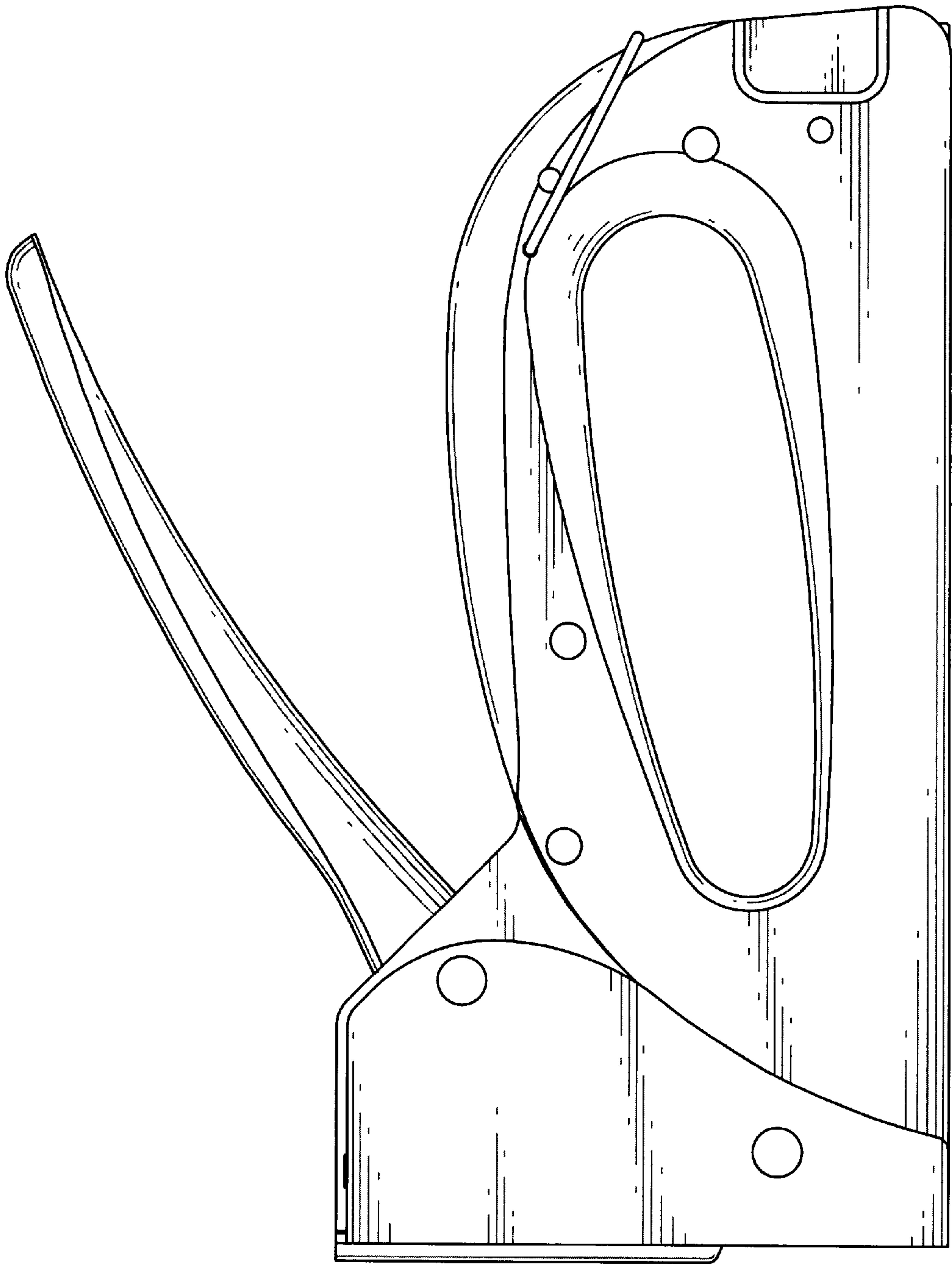


FIG. 3



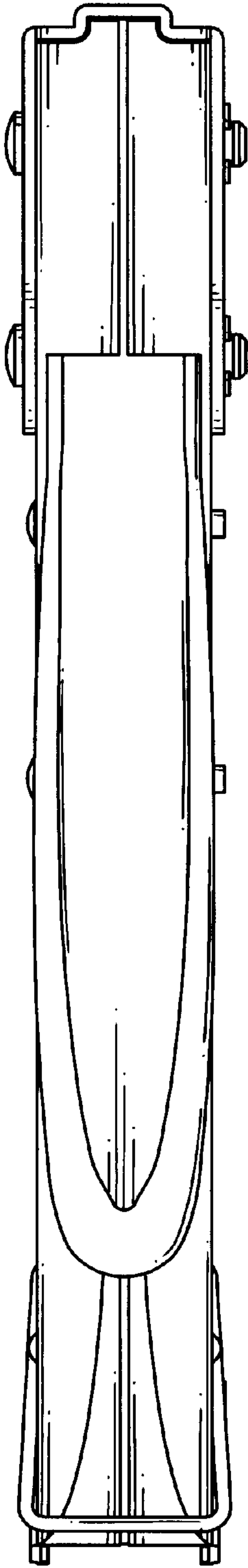


FIG. 4

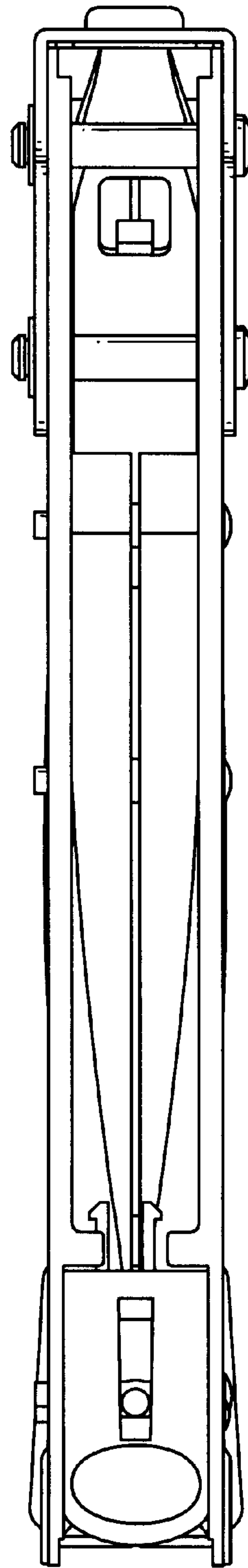


FIG. 5

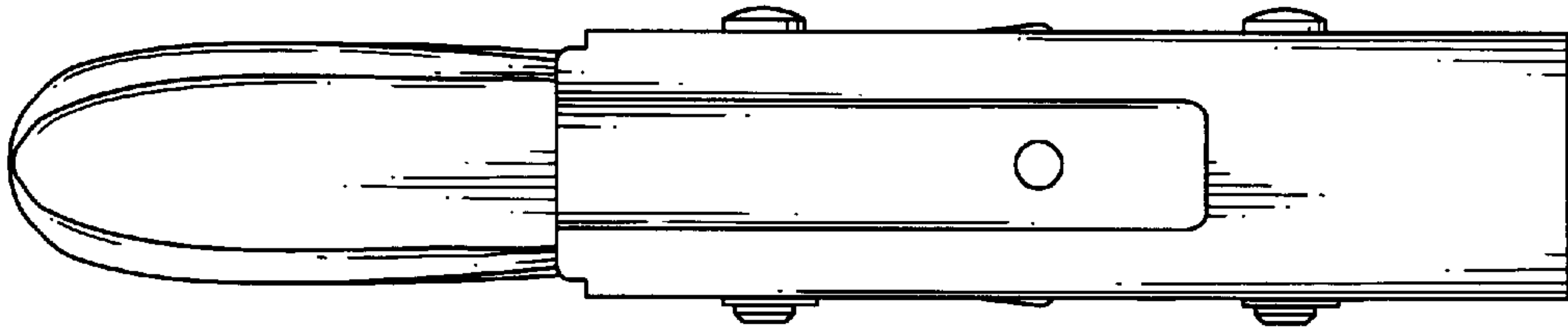


FIG. 7

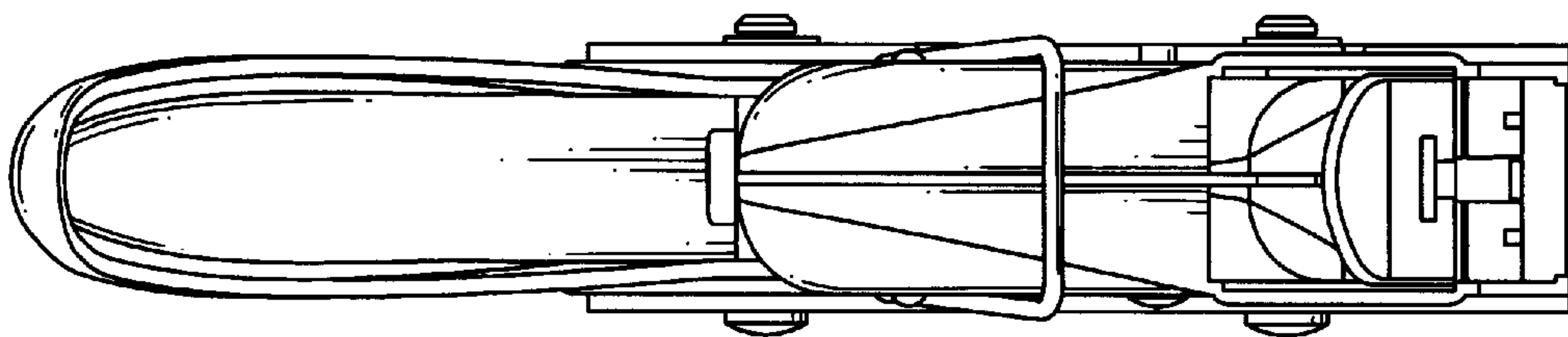


FIG. 6