



US00D454288S

(12) **United States Design Patent**
Kilduff

(10) **Patent No.:** **US D454,288 S**

(45) **Date of Patent:** **** Mar. 12, 2002**

(54) **FOIL CUTTER**

(75) Inventor: **Edward Kilduff**, New York, NY (US)

(73) Assignee: **Metrokane, Inc.**, New York, NY (US)

(**) Term: **14 Years**

(21) Appl. No.: **29/139,188**

(22) Filed: **Mar. 26, 2001**

Related U.S. Application Data

(62) Division of application No. 29/135,306, filed on Jan. 9, 2001, now Pat. No. Des. 446,098.

(51) **LOC (7) Cl.** **07-99**

(52) **U.S. Cl.** **D8/41**

(58) **Field of Search** D8/18, 33-43;
7/151-156; 81/3.07-3.49

(56) **References Cited**

U.S. PATENT DOCUMENTS

996,433 A	6/1911	Stone
1,102,124 A	6/1914	Baptiste
2,439,894 A	4/1948	Jahn et al.
2,566,653 A	9/1951	Callahan et al.

D289,361 S	*	4/1987	Powis, Jr.	D8/18
4,845,844 A		7/1989	Allen		
D397,922 S	*	9/1998	Gort-Barten	D8/41
D443,804 S	*	6/2001	Wysopal	D8/38

* cited by examiner

Primary Examiner—Caron D. Veynar

(74) *Attorney, Agent, or Firm*—SAIDMAN DesignLaw Group

(57) **CLAIM**

The ornamental design for a foil cutter, as shown and described.

DESCRIPTION

FIG. 1 is a perspective view of a foil cutter showing my new design;

FIG. 2 is a right side view thereof, the left side view being identical;

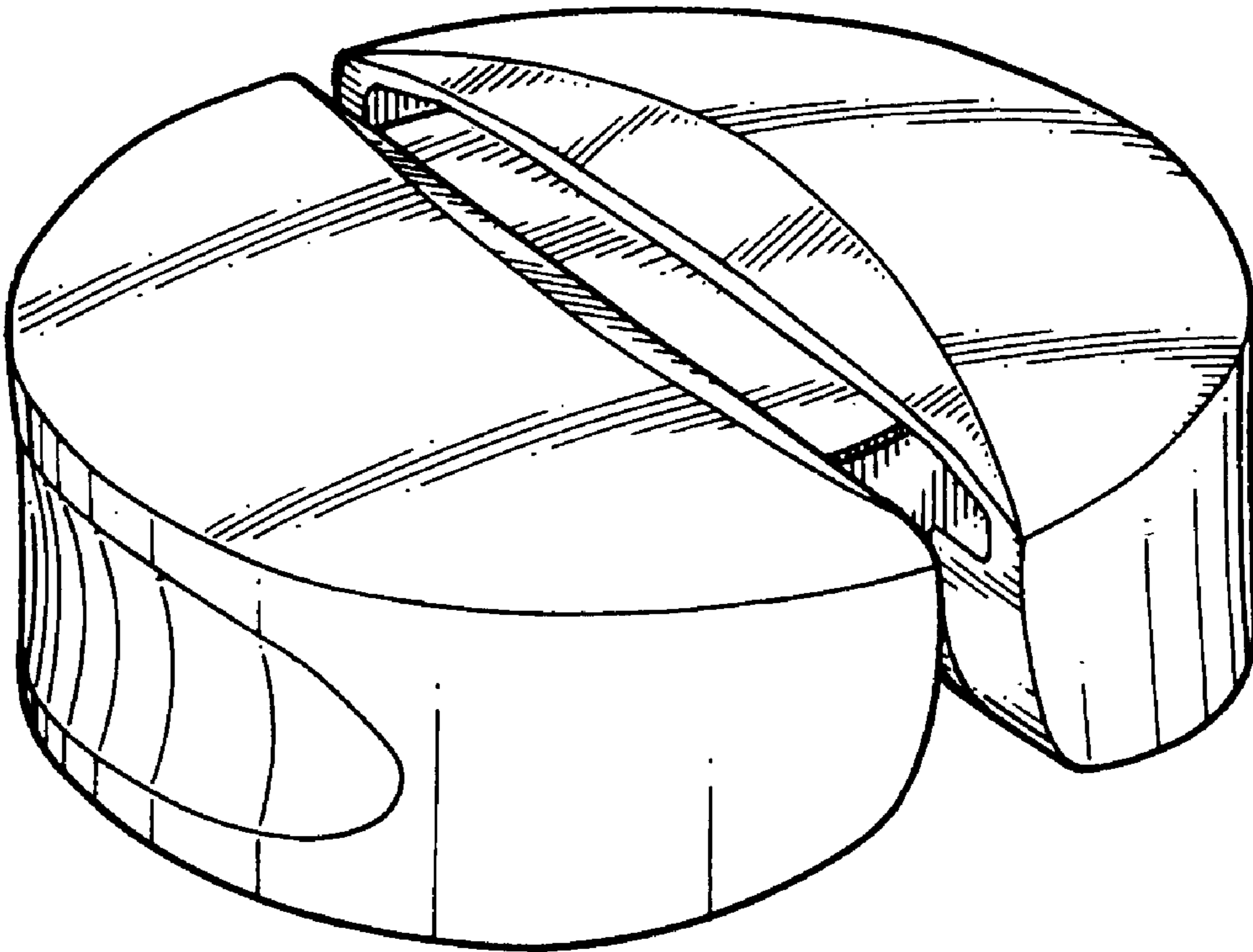
FIG. 3 is a front view thereof, the rear view being identical;

FIG. 4 is a top view thereof; and,

FIG. 5 is a bottom view thereof.

The broken lines shown in FIG. 5 are for illustrative purposes only and form no part of the claimed design.

1 Claim, 3 Drawing Sheets



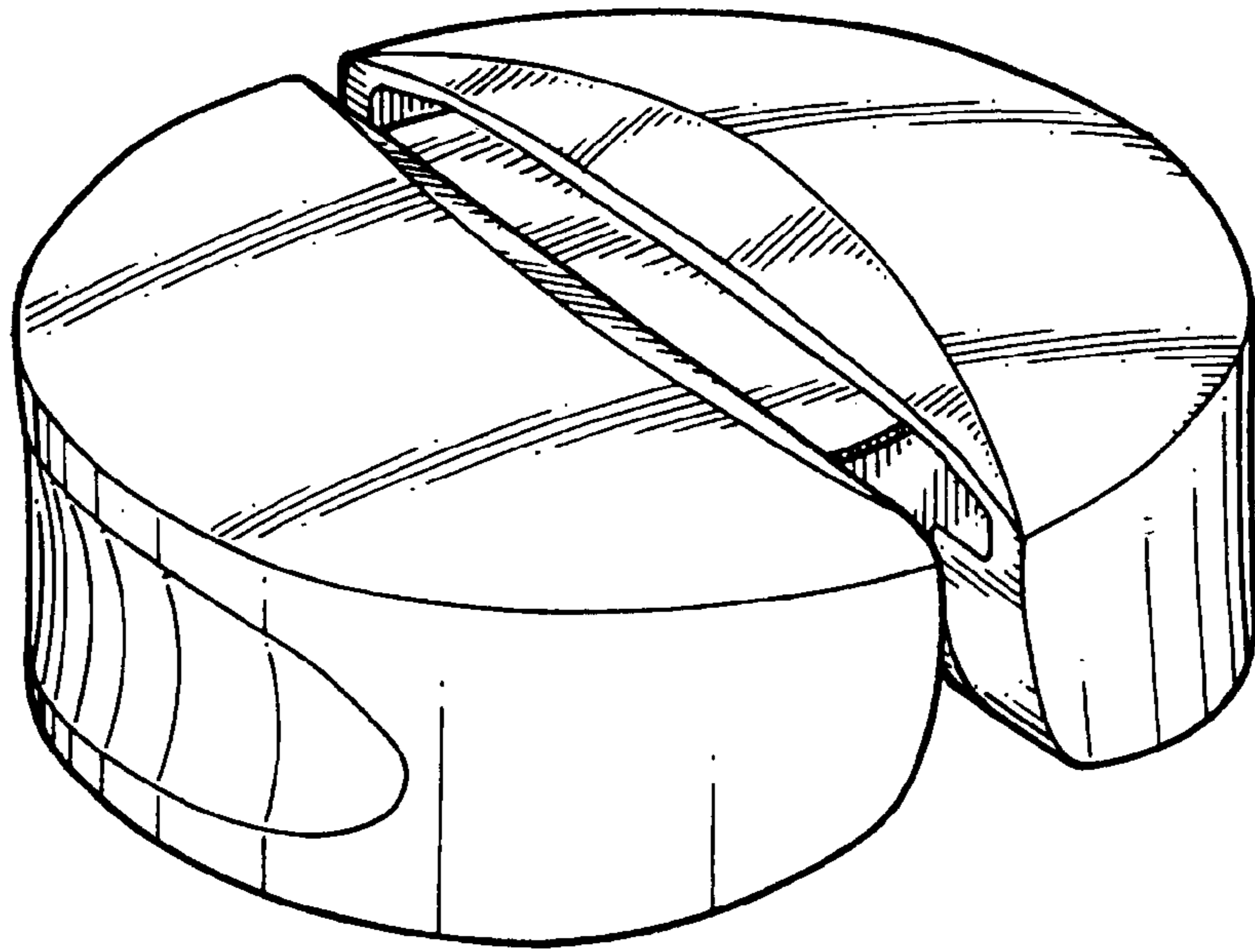


FIG. 1

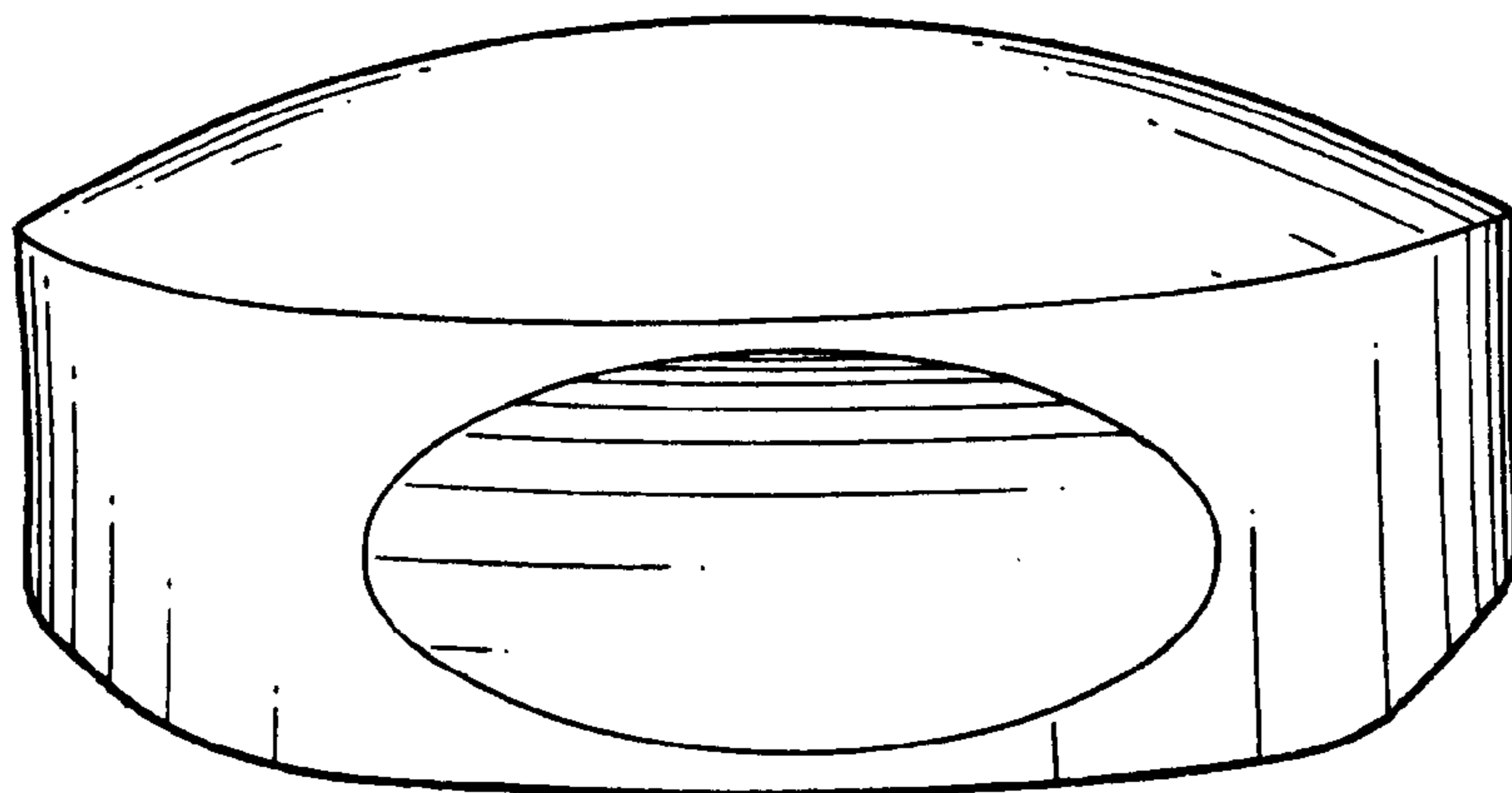


FIG. 2

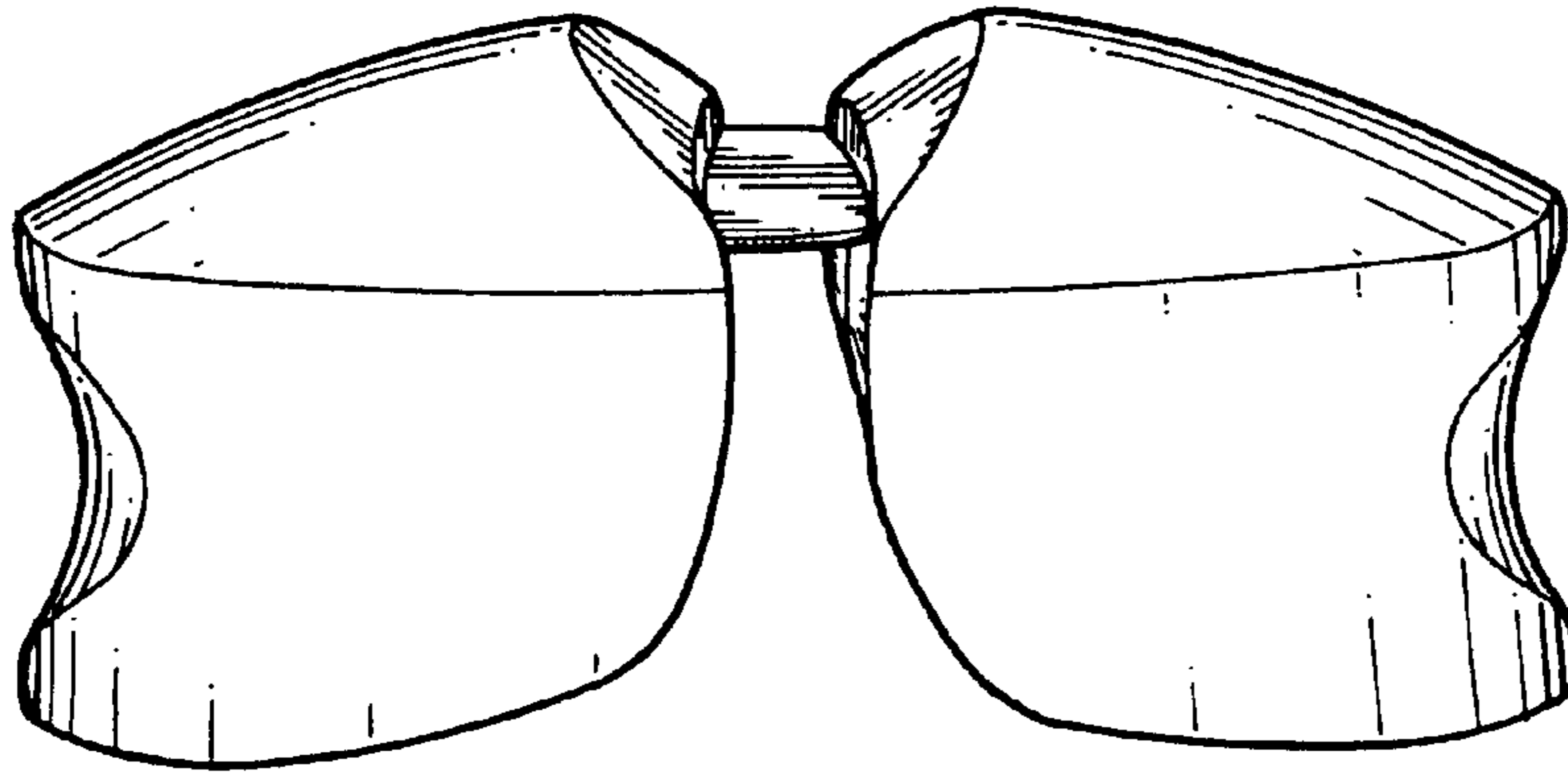


FIG.3

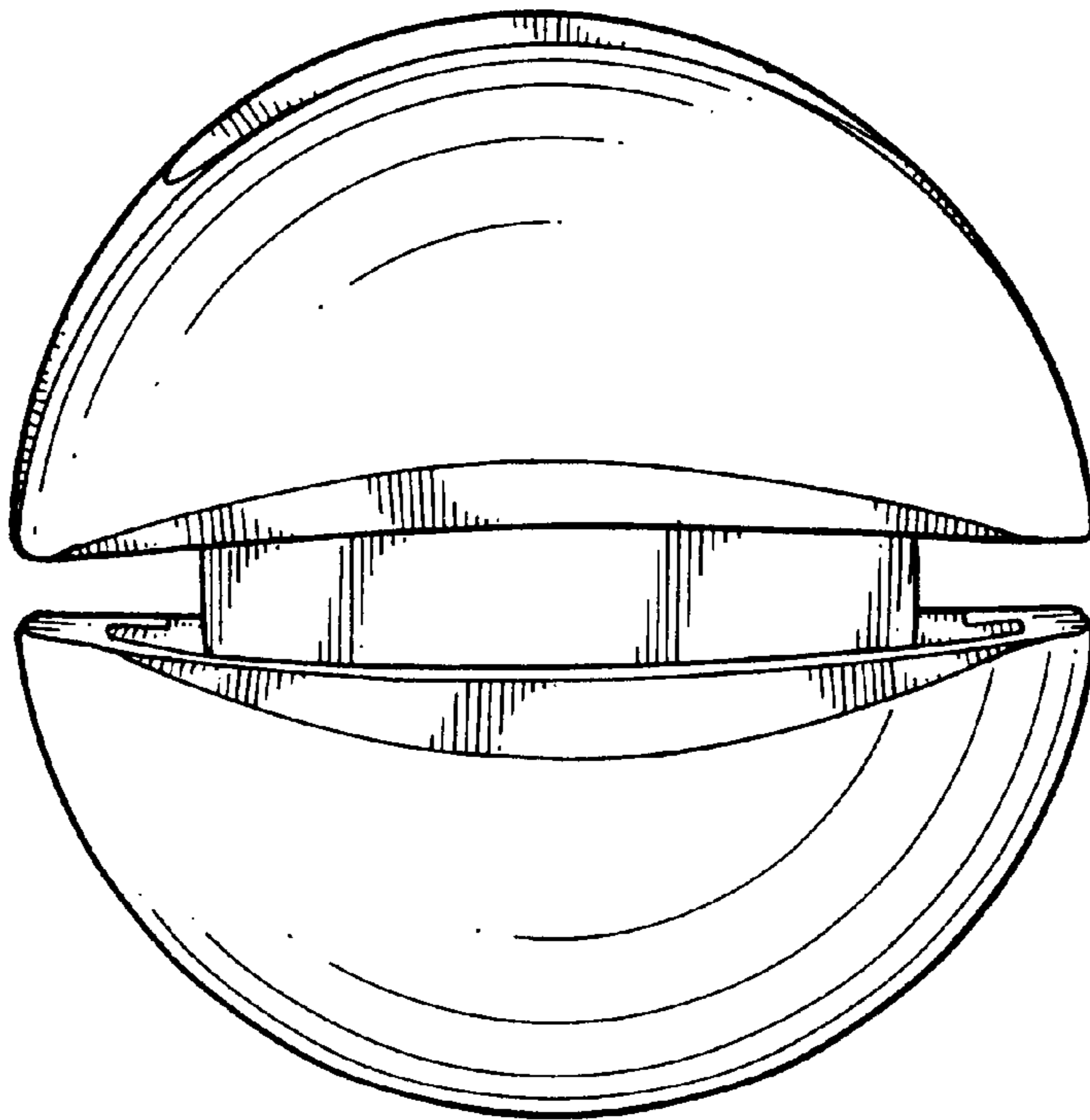


FIG.4

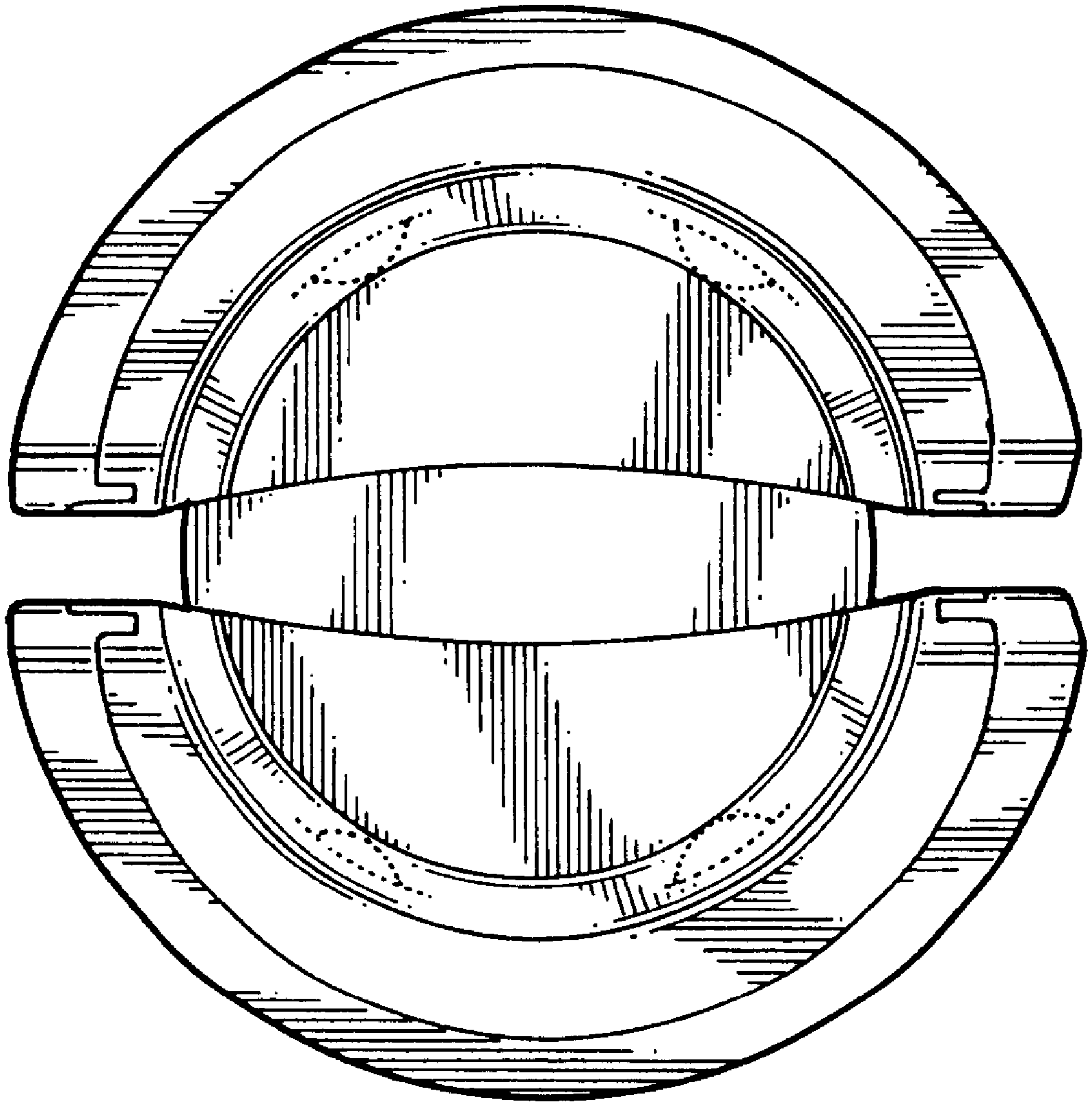


FIG. 5