



US00D454286S

(12) **United States Design Patent**  
**Steiner**

(10) **Patent No.:** **US D454,286 S**

(45) **Date of Patent:** **\*\* Mar. 12, 2002**

(54) **CAN OPENER**

(75) **Inventor:** **Mark Steiner, Greenwich, CT (US)**

(73) **Assignee:** **Conair Corporation, Stamford, CT (US)**

(\*\*) **Term:** **14 Years**

(21) **Appl. No.:** **29/138,922**

(22) **Filed:** **Mar. 21, 2001**

(51) **LOC (7) Cl.** ..... **07-99**

(52) **U.S. Cl.** ..... **D8/36**

(58) **Field of Search** ..... D8/33-43; 7/151-156;  
81/3.07-3.49; 30/400-443

D387,642 S	12/1997	Laude et al. ....	D8/36
D387,643 S	12/1997	Laude et al. ....	D8/36
D388,674 S	1/1998	McCloskey et al. ....	D8/36
D408,235 S	4/1999	Alonge et al. ....	D8/35
D410,827 S	* 6/1999	Conrado et al. ....	D8/35
6,092,292 A	7/2000	Molnar et al. ....	30/410
D432,374 S	10/2000	Cruz et al. ....	D8/35

\* cited by examiner

*Primary Examiner*—Caron D. Veynar

(74) *Attorney, Agent, or Firm*—Ohlandt, Greeley, Ruggiero & Perle, LLP

(57) **CLAIM**

The ornamental design for a can opener, as shown and described.

**DESCRIPTION**

FIG. 1 is a perspective view of a can opener according to the present invention;

FIG. 2 is a front view of the can opener of FIG. 1;

FIG. 3 is a rear view of the can opener of FIG. 1;

FIG. 4 is a first side view of the can opener of FIG. 1;

FIG. 5 is a second, opposite side view of the can opener of FIG. 1;

FIG. 6 is a top view of the can opener of FIG. 1;

FIG. 7 is a bottom view of the can opener of FIG. 1; and,

FIG. 8 is a second perspective view of the can opener of FIG. 1 shown with the handle in its non-use position.

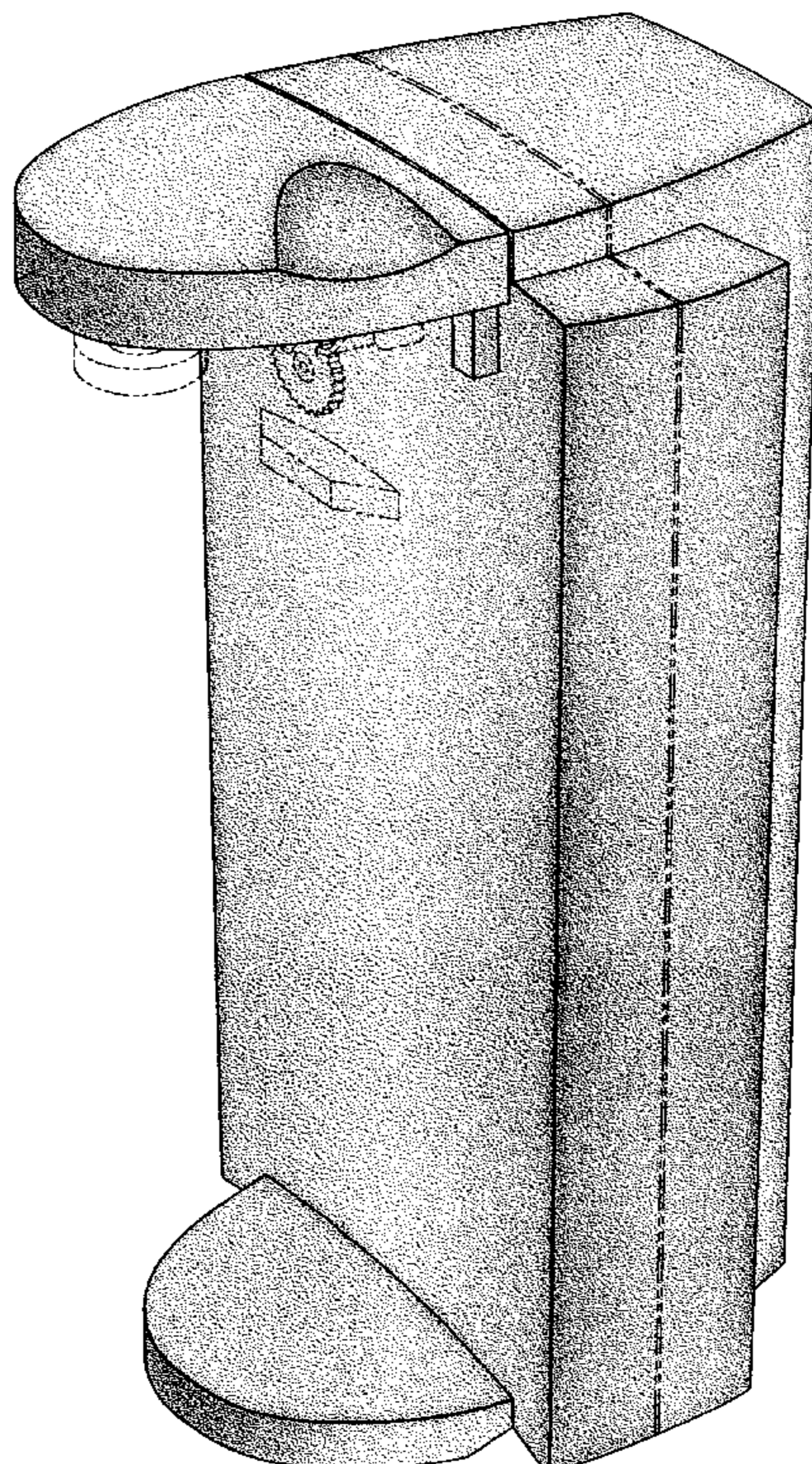
The broken lines shown on FIGS. 1-8 are for illustrative purposes only and form no part of the claimed design.

(56) **References Cited**

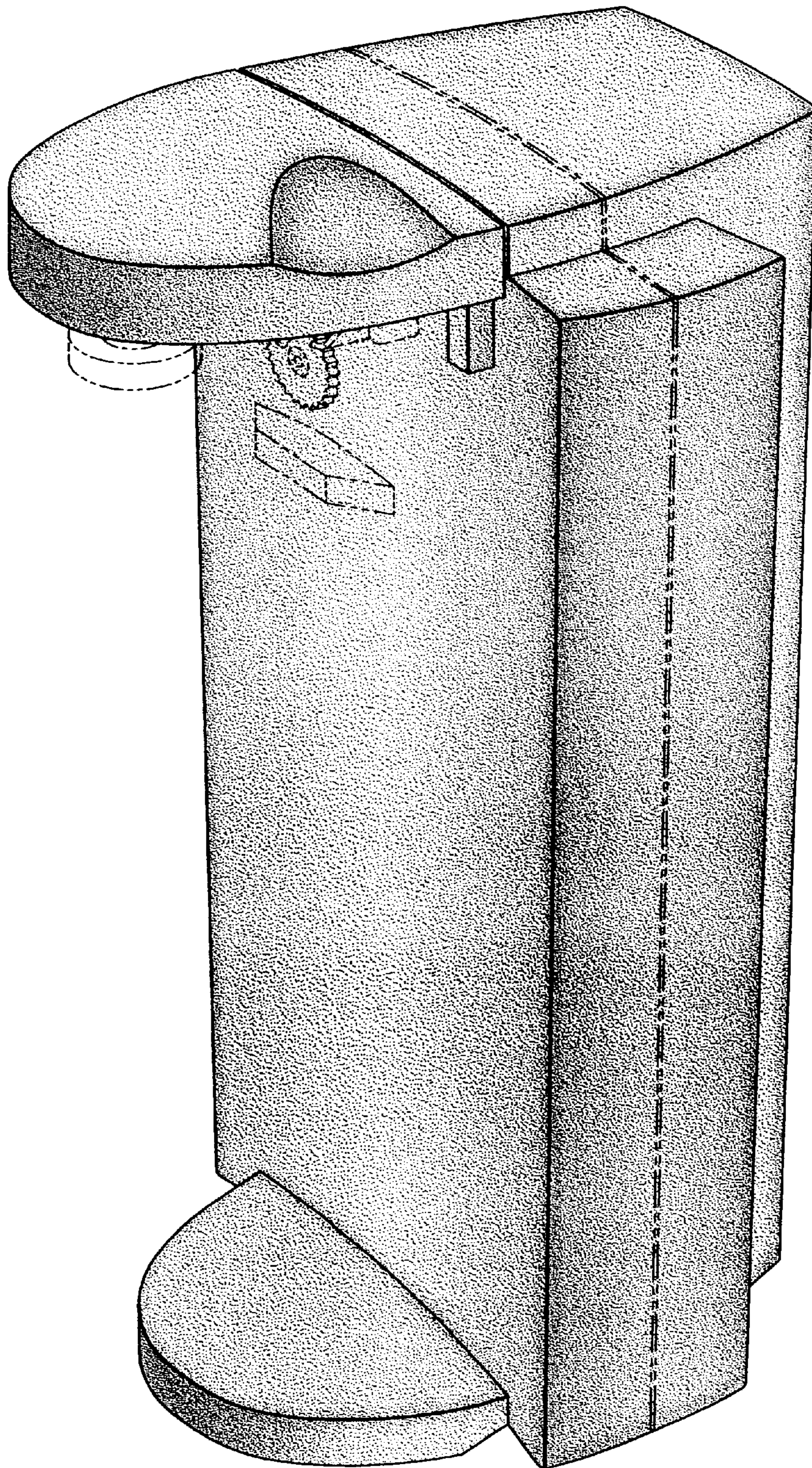
**U.S. PATENT DOCUMENTS**

2,896,319 A	7/1959	Pinette .....	30/4
D187,217 S	2/1960	Pinette .....	
3,176,063 A	3/1965	Jepson et al. ....	174/52
D201,754 S	7/1965	Reed .....	
D220,899 S	6/1971	Ernest .....	D8/36
D243,819 S	3/1977	Avise et al. ....	D8/36
D296,753 S	7/1988	Tsuji et al. ....	D8/36
D308,159 S	5/1990	Stutzer .....	D8/35
D324,157 S	2/1992	Gildersleve .....	D8/35
D324,158 S	2/1992	Gildersleve .....	D8/36
5,313,708 A	5/1994	Edwards et al. ....	30/417
D348,813 S	7/1994	Klein .....	D8/36
D366,404 S	1/1996	Indinoli .....	D8/36
D384,561 S	10/1997	Carbone .....	D8/36

**1 Claim, 7 Drawing Sheets**

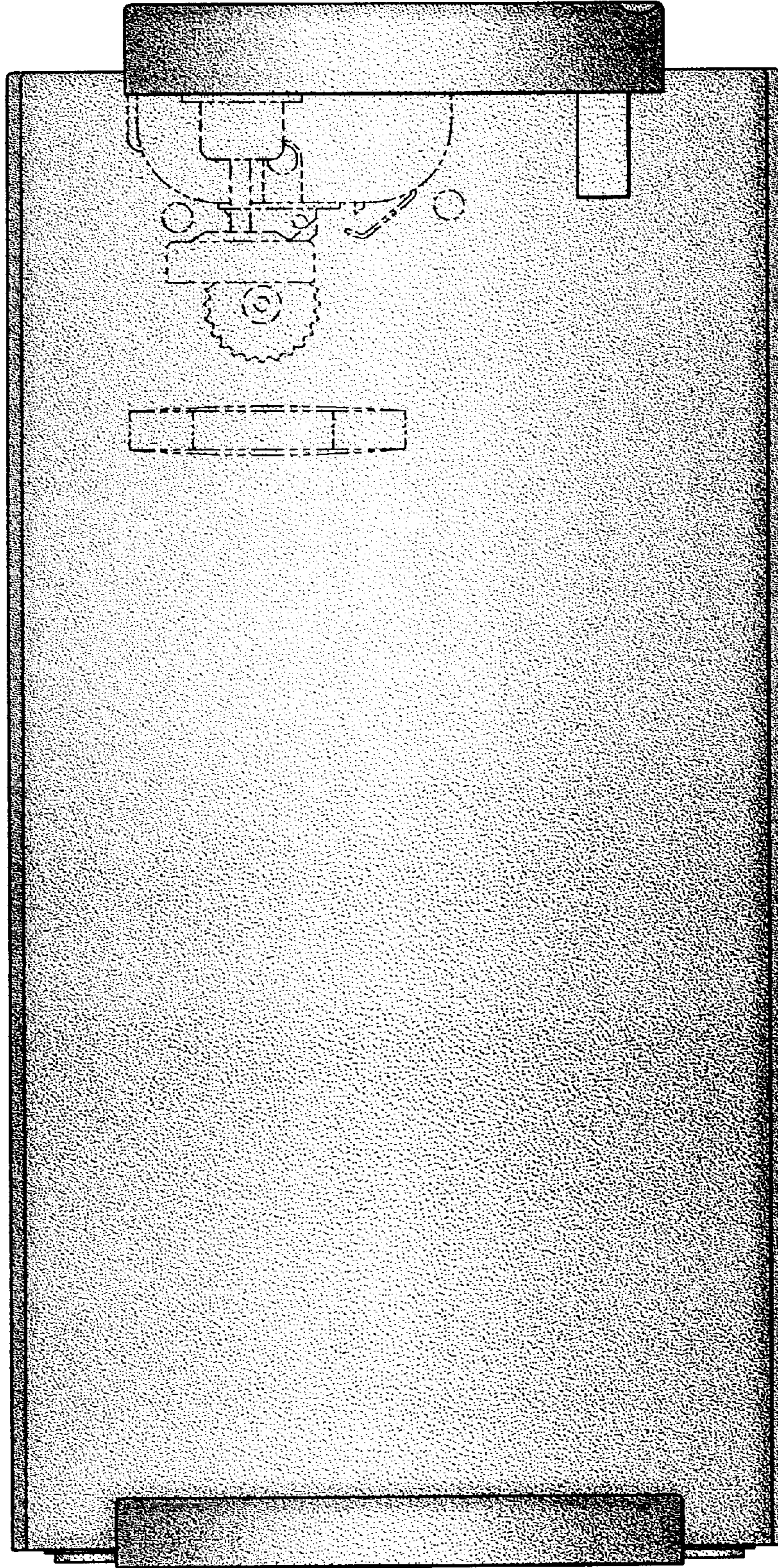






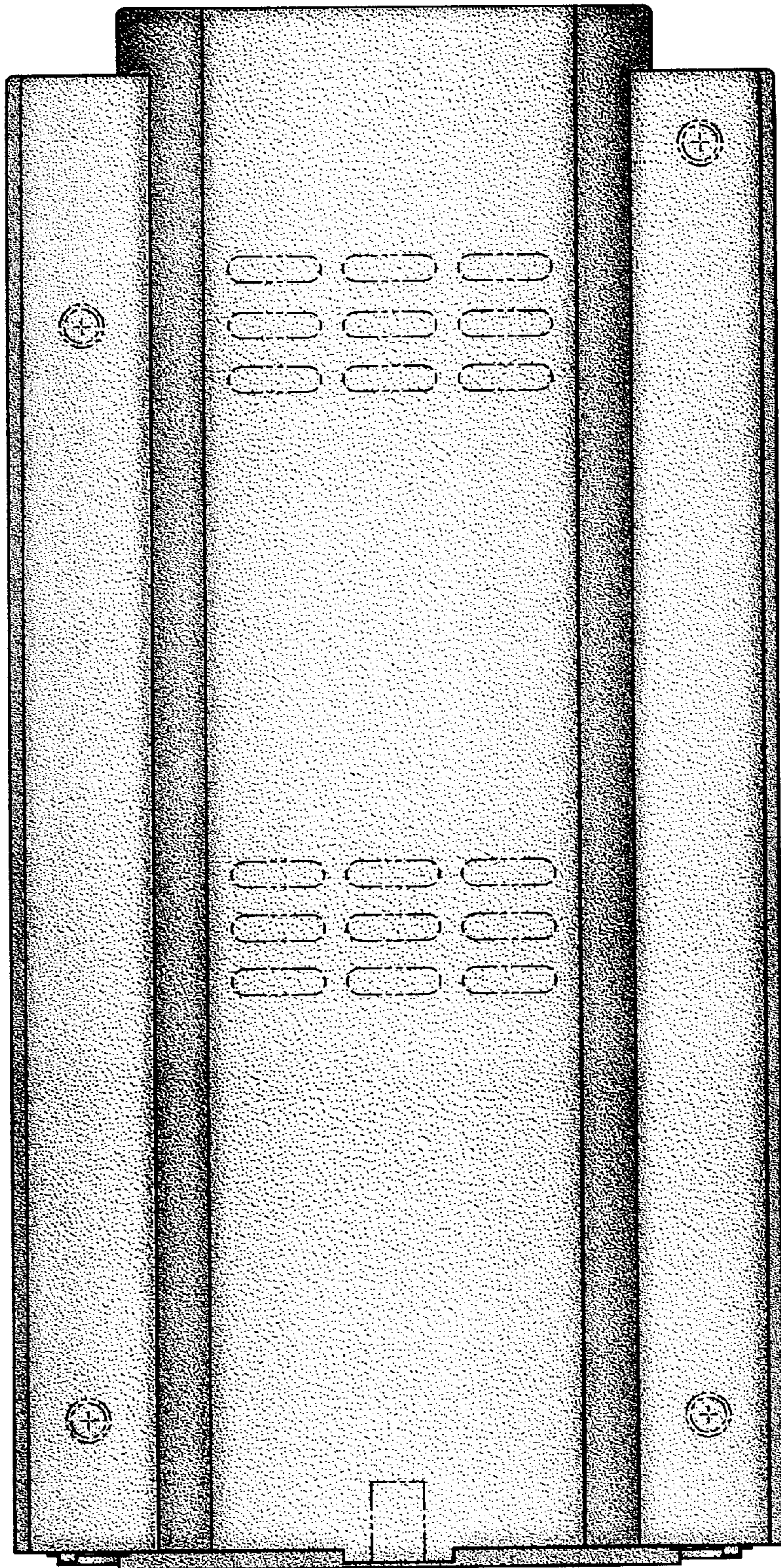
**FIG. 1**





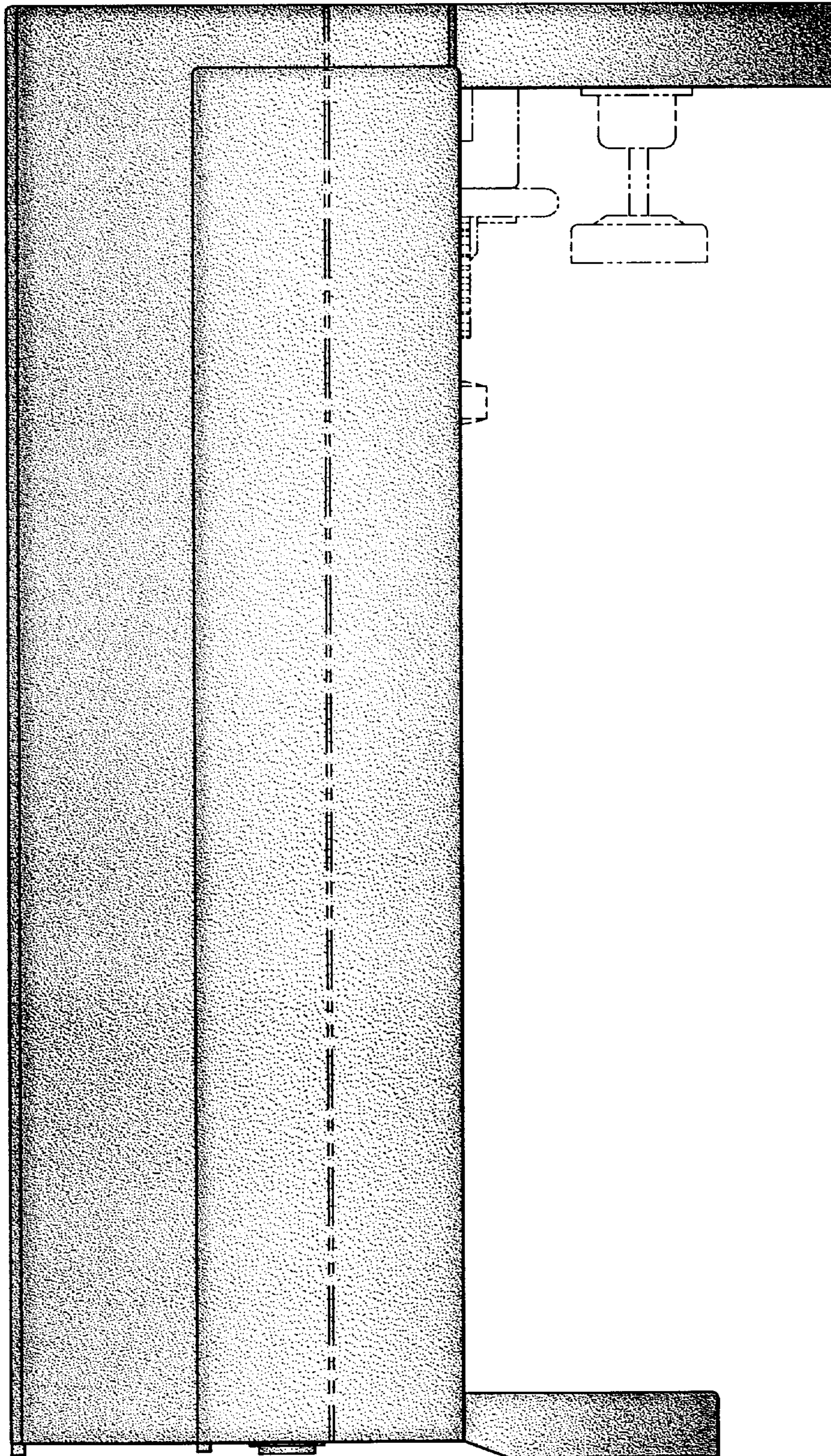
**FIG. 2**





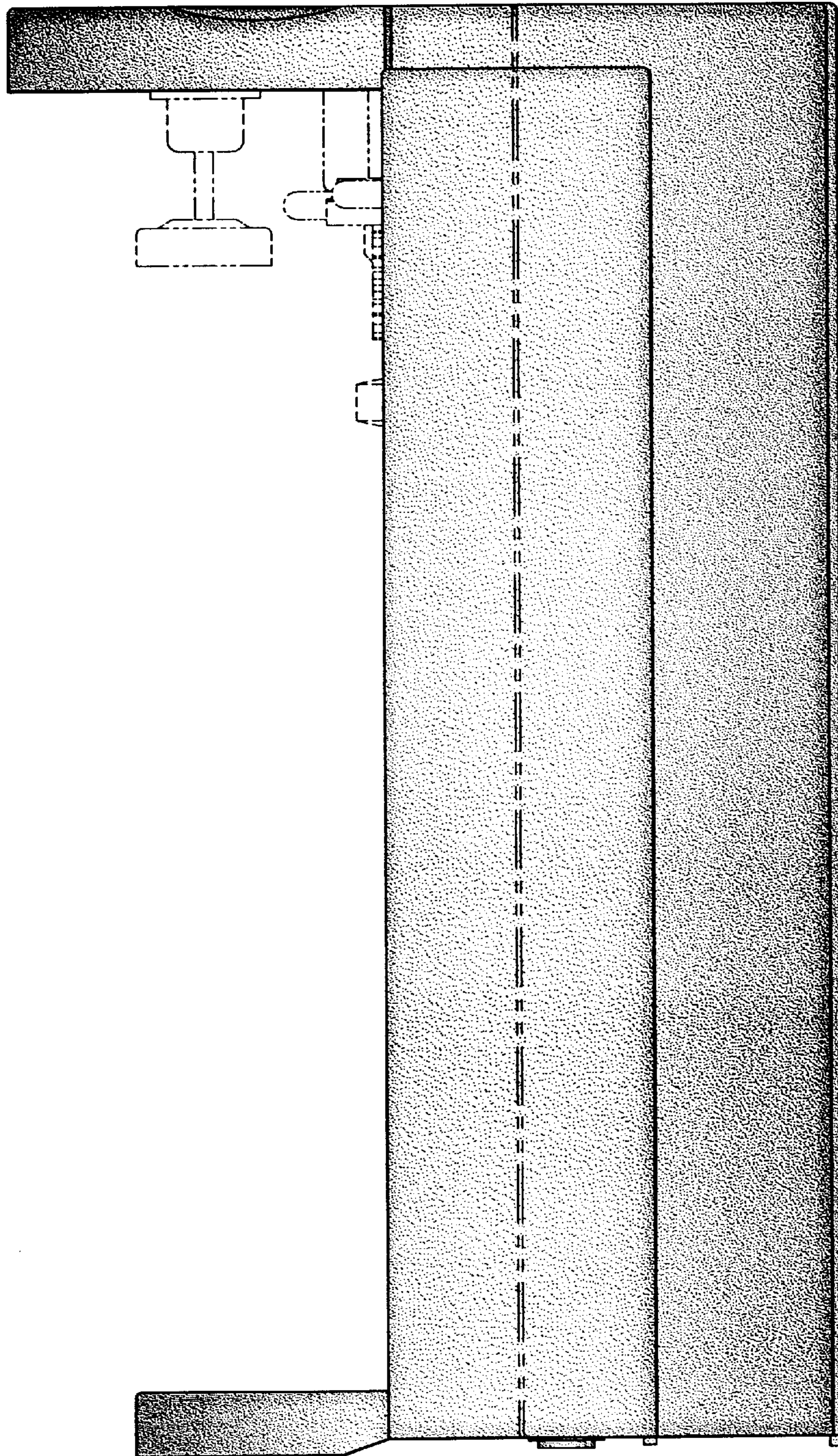
**FIG. 3**





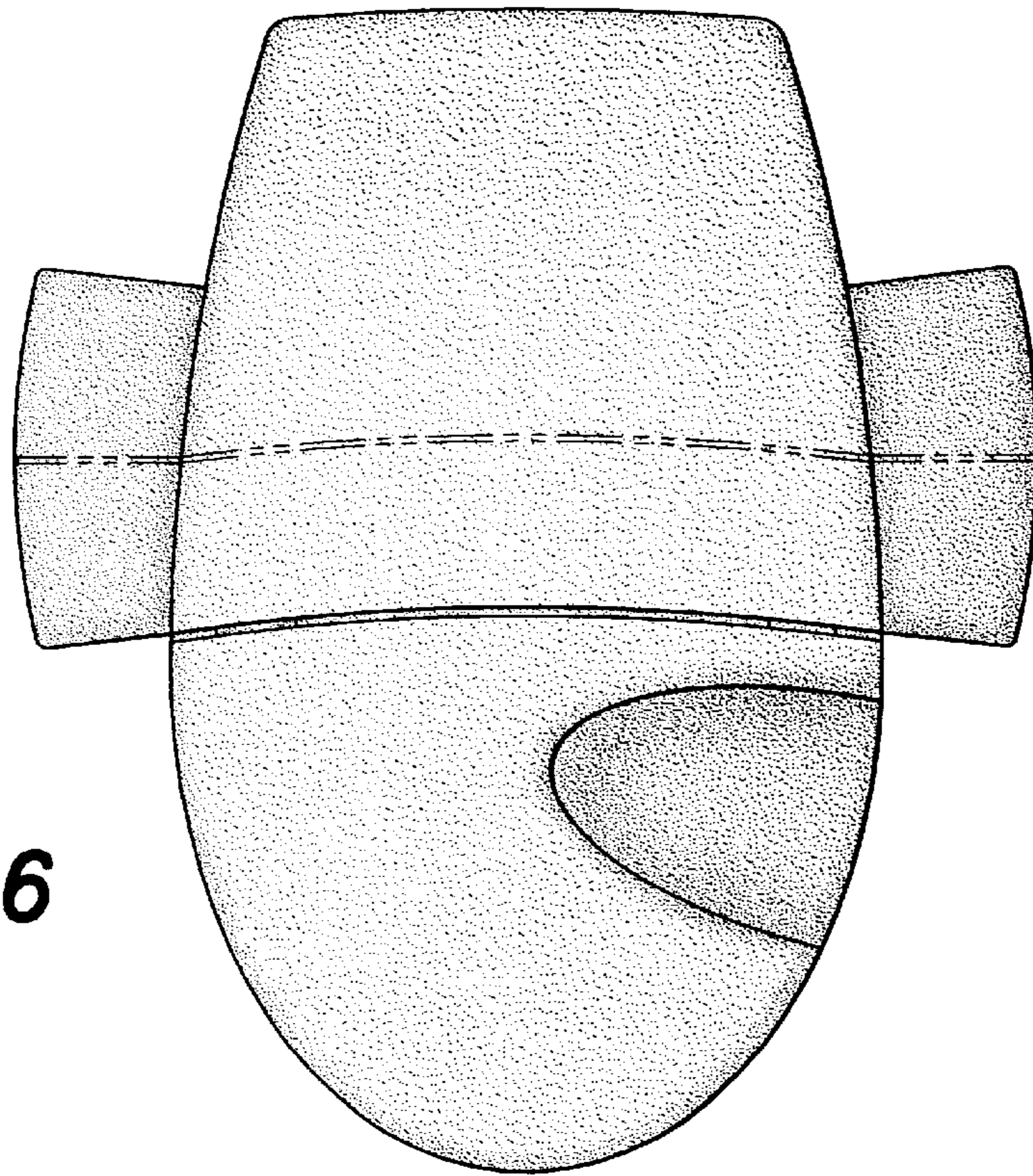
**FIG. 4**



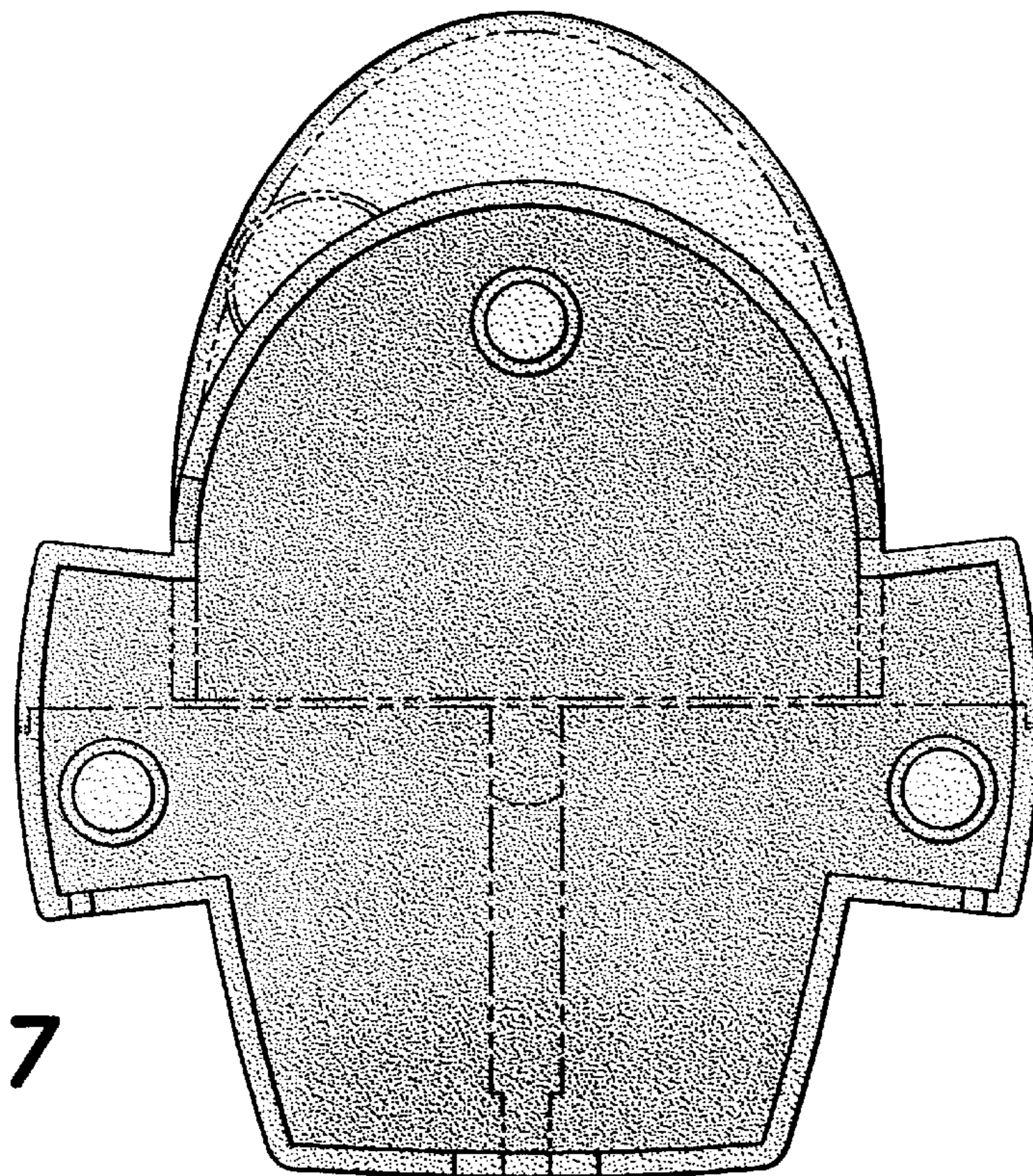


**FIG. 5**



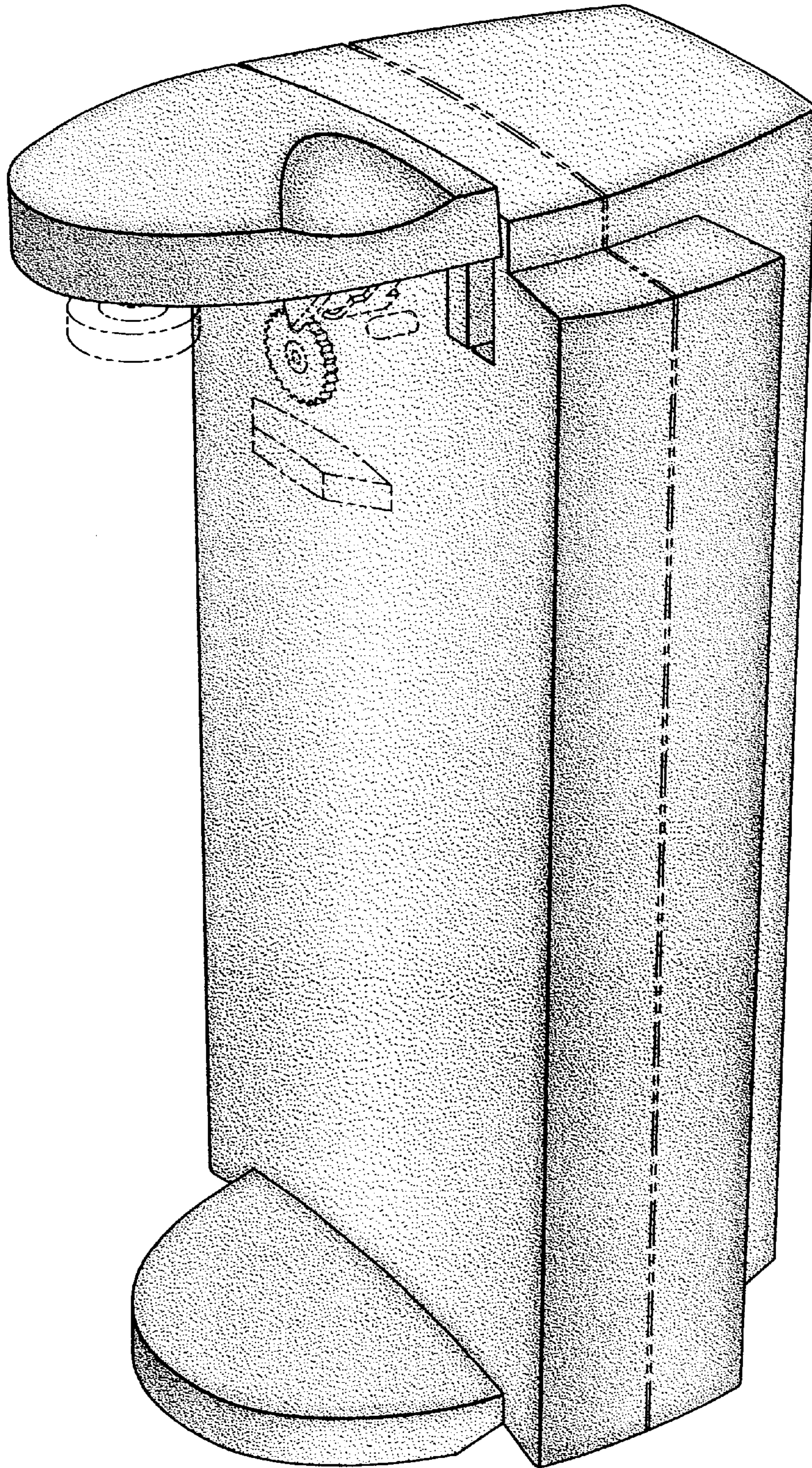


**FIG. 6**



**FIG. 7**





**FIG. 8**