



US00D454277S

(12) **United States Design Patent**  
**Chevalier**

(10) **Patent No.:** **US D454,277 S**

(45) **Date of Patent:** **\*\* Mar. 12, 2002**

(54) **UTILITY LIGHTER**

(75) **Inventor:** **Jean Francois Chevalier, Paris (FR)**

(73) **Assignee:** **BIC Corporation, Milford, CT (US)**

(\*\*) **Term:** **14 Years**

(21) **Appl. No.:** **29/121,838**

(22) **Filed:** **Apr. 14, 2000**

(51) **LOC (7) Cl.** ..... **07-01**

(52) **U.S. Cl.** ..... **D7/416**

(58) **Field of Search** ..... D7/416, 417; 126/409,  
126/414, 406, 25 B; 431/254, 255, 13,  
143, 273, 288, 260; 417/411; 361/260,  
262; D27/154, 131

(56) **References Cited**

**U.S. PATENT DOCUMENTS**

D186,346 S	*	10/1959	Leighton	.....	D7/416
D258,840 S	*	4/1981	Plozner	.....	D7/416
D267,820 S	*	2/1983	Tomita	.....	D7/416
4,538,983 A		9/1985	Zeller et al.		
D298,272 S	*	10/1988	Nitta	.....	D7/416
4,778,379 A		10/1988	Nitta		
4,778,380 A		10/1988	Nitta		
D314,118 S	*	1/1991	Capilla	.....	D7/416
5,199,865 A		4/1993	Liang		
D365,726 S	*	1/1996	Hsu	.....	D7/416
D405,644 S	*	2/1999	Hsu	.....	D7/416
D410,819 S	*	6/1999	Hsu	.....	D7/416
D425,369 S	*	5/2000	Sung		
D425,374 S	*	5/2000	Stein	.....	D7/416
D428,766 S	*	8/2000	Galimond	.....	D7/416

D436,290 S	*	1/2001	Harel	.....	D7/416
D437,526 S	*	2/2001	Umemoto	.....	D7/416
D441,605 S	*	5/2001	Tubby et al.	.....	D7/416
D441,606 S	*	5/2001	Tubby et al.	.....	D7/416
D442,433 S	*	5/2001	Tubby et al.	.....	D7/416
D442,828 S	*	5/2001	Tubby et al.	.....	D7/416

\* cited by examiner

*Primary Examiner*—M. N. Pandozzi

(74) *Attorney, Agent, or Firm*—Pennie & Edmonds LLP

(57) **CLAIM**

The ornamental design for a utility lighter, as shown and described in the attached drawings.

**DESCRIPTION**

FIG. 1 is a front perspective view of a utility lighter illustrating my new design, wherein the lighter is in a closed position;

FIG. 2 is a back perspective view of the utility lighter in FIG. 1;

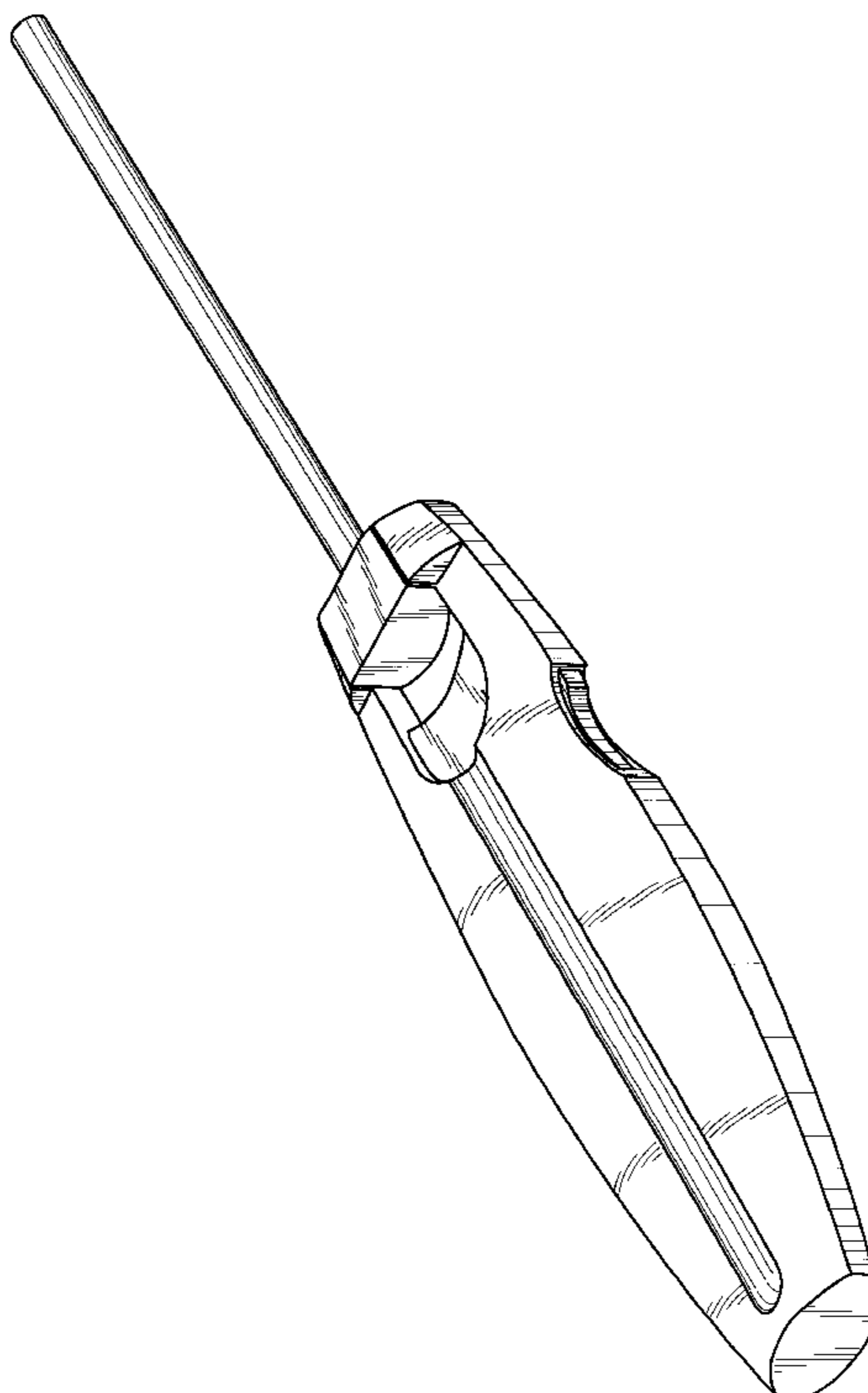
FIG. 3 is a back view of the utility lighter shown in FIG. 1; FIG. 4 is a front view of the utility lighter shown in FIG. 1; FIG. 5 is a top view of the utility lighter shown in FIG. 1; FIG. 6 is a bottom view of the utility lighter shown in FIG. 1;

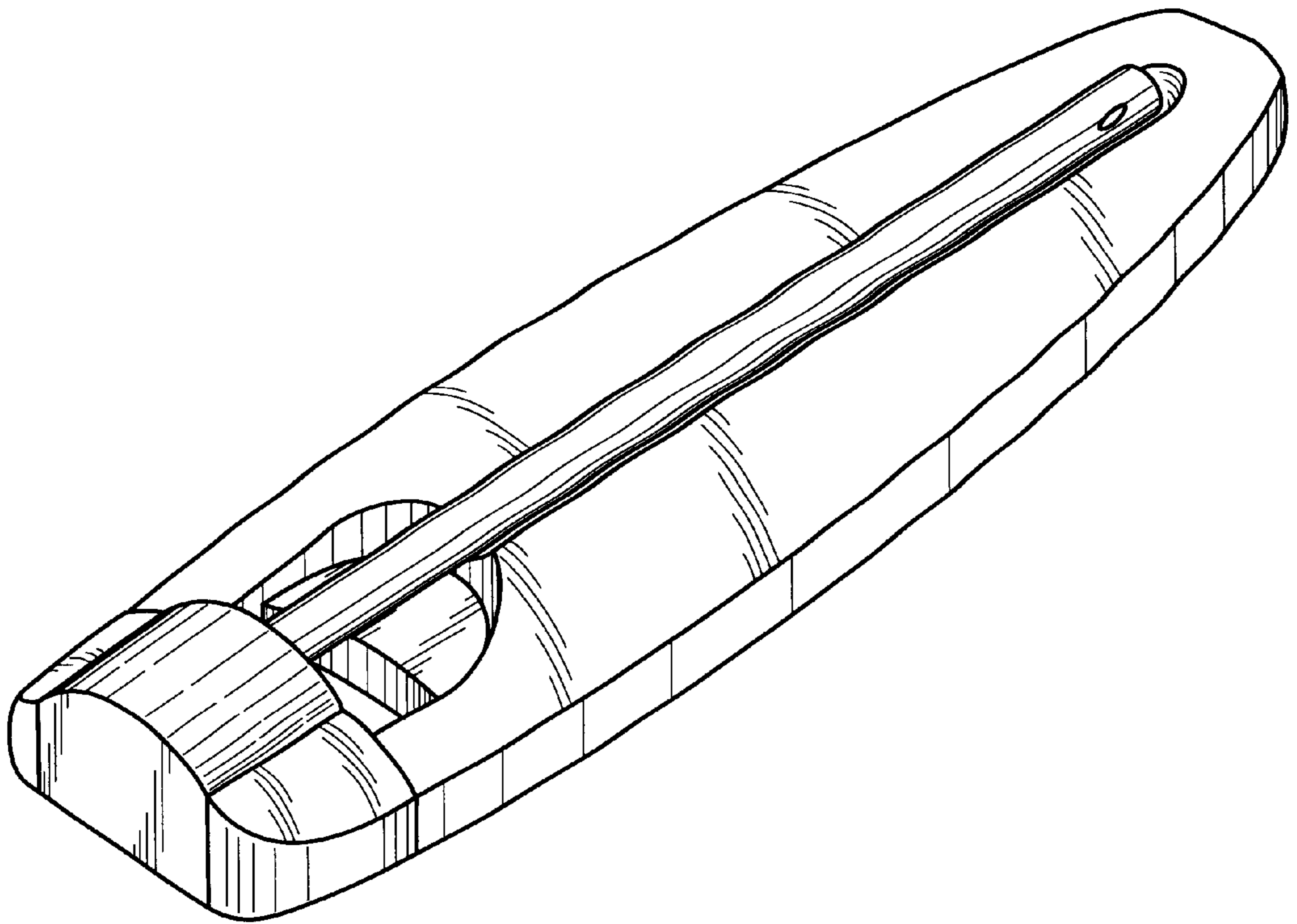
FIG. 7 is an end view of the utility lighter shown in FIG. 1; FIG. 8 is the other end view of the utility lighter shown in FIG. 1;

FIG. 9 is a front perspective view of the utility lighter in FIG. 1, wherein the lighter is in an open position;

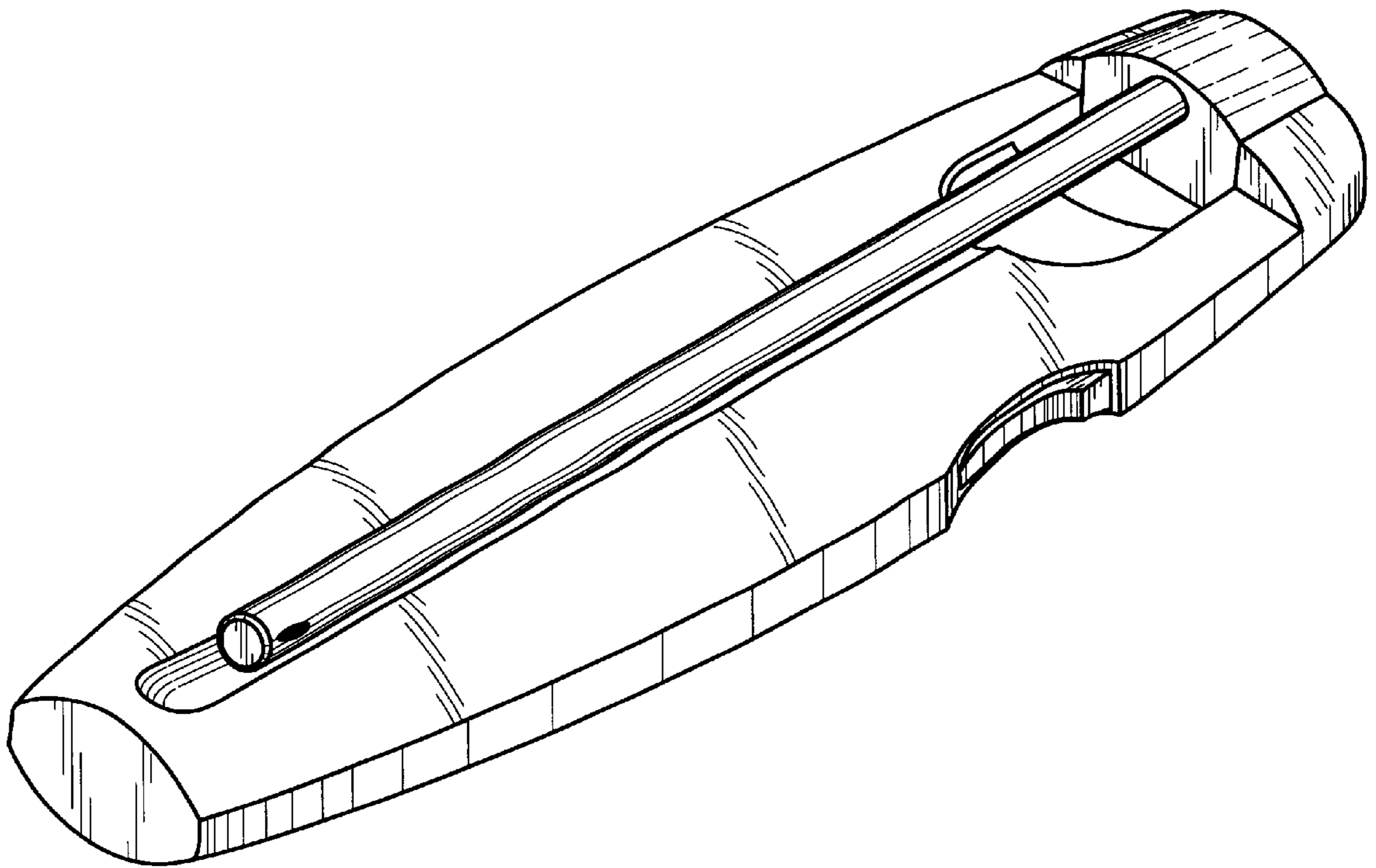
FIG. 10 is a front view of the utility lighter in FIG. 9; and, FIG. 11 is a side view of the utility lighter shown in FIG. 9.

**1 Claim, 6 Drawing Sheets**

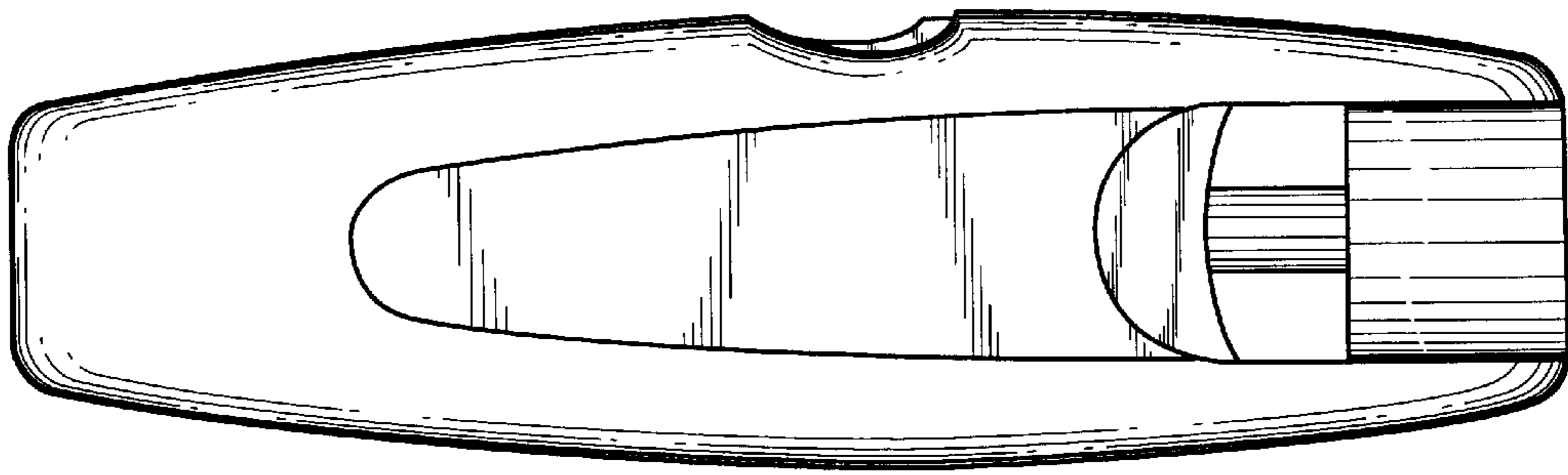




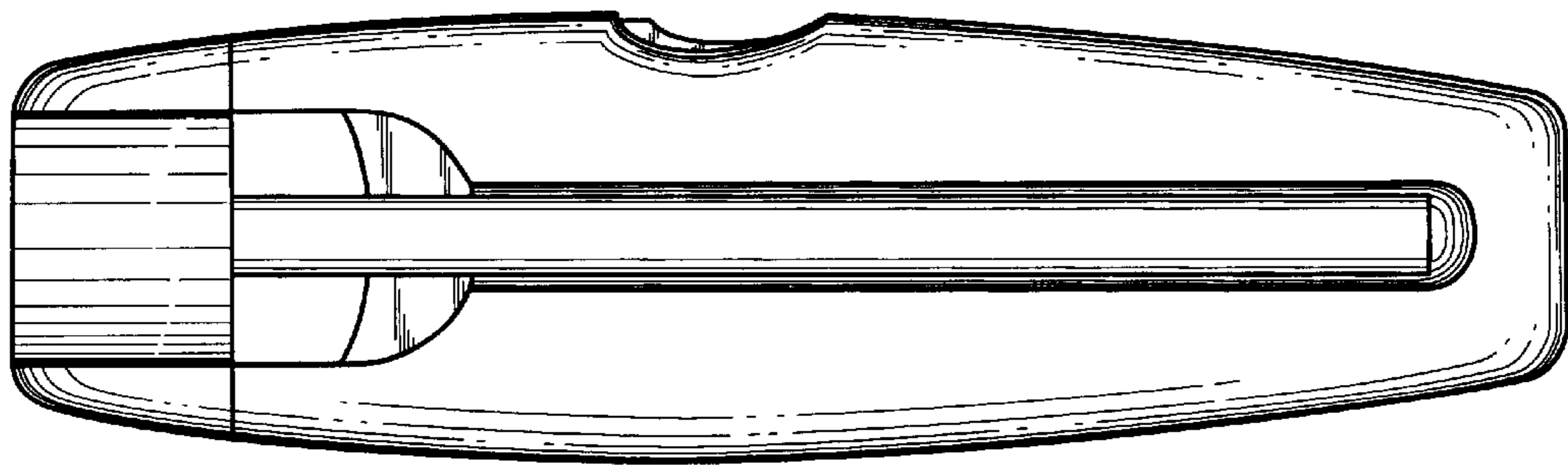
*Fig. 1*



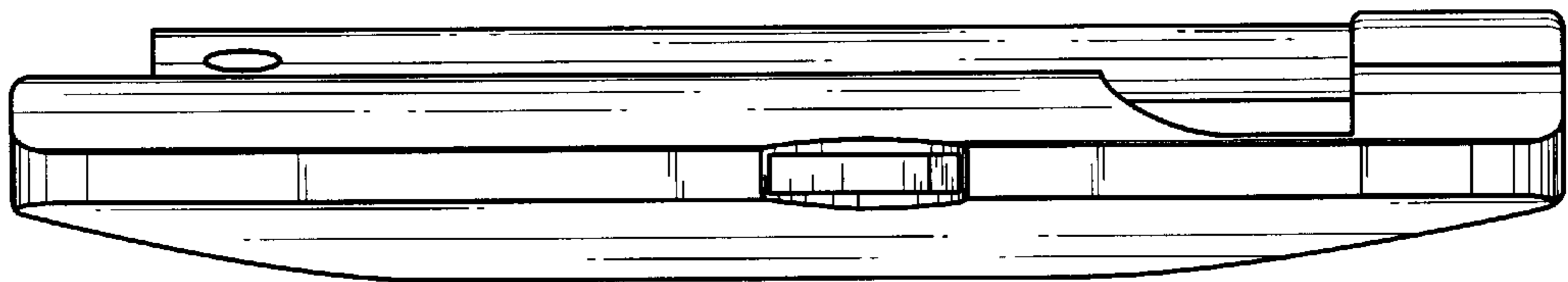
*Fig. 2*



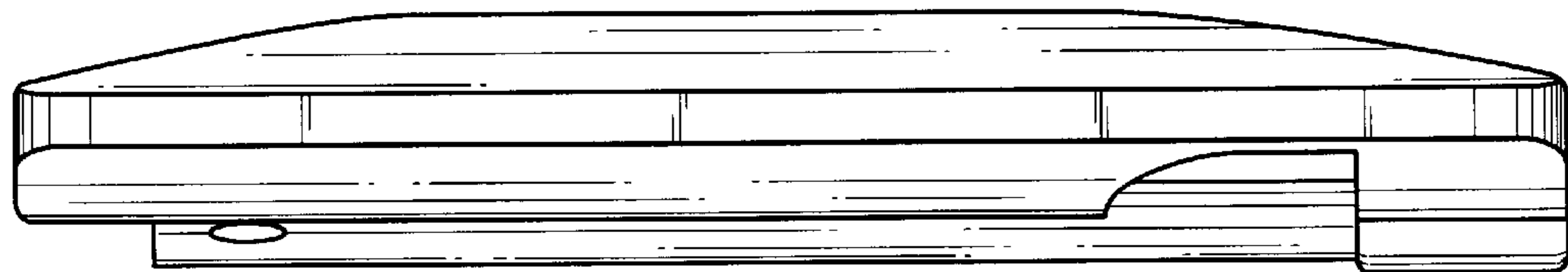
*Fig. 3*



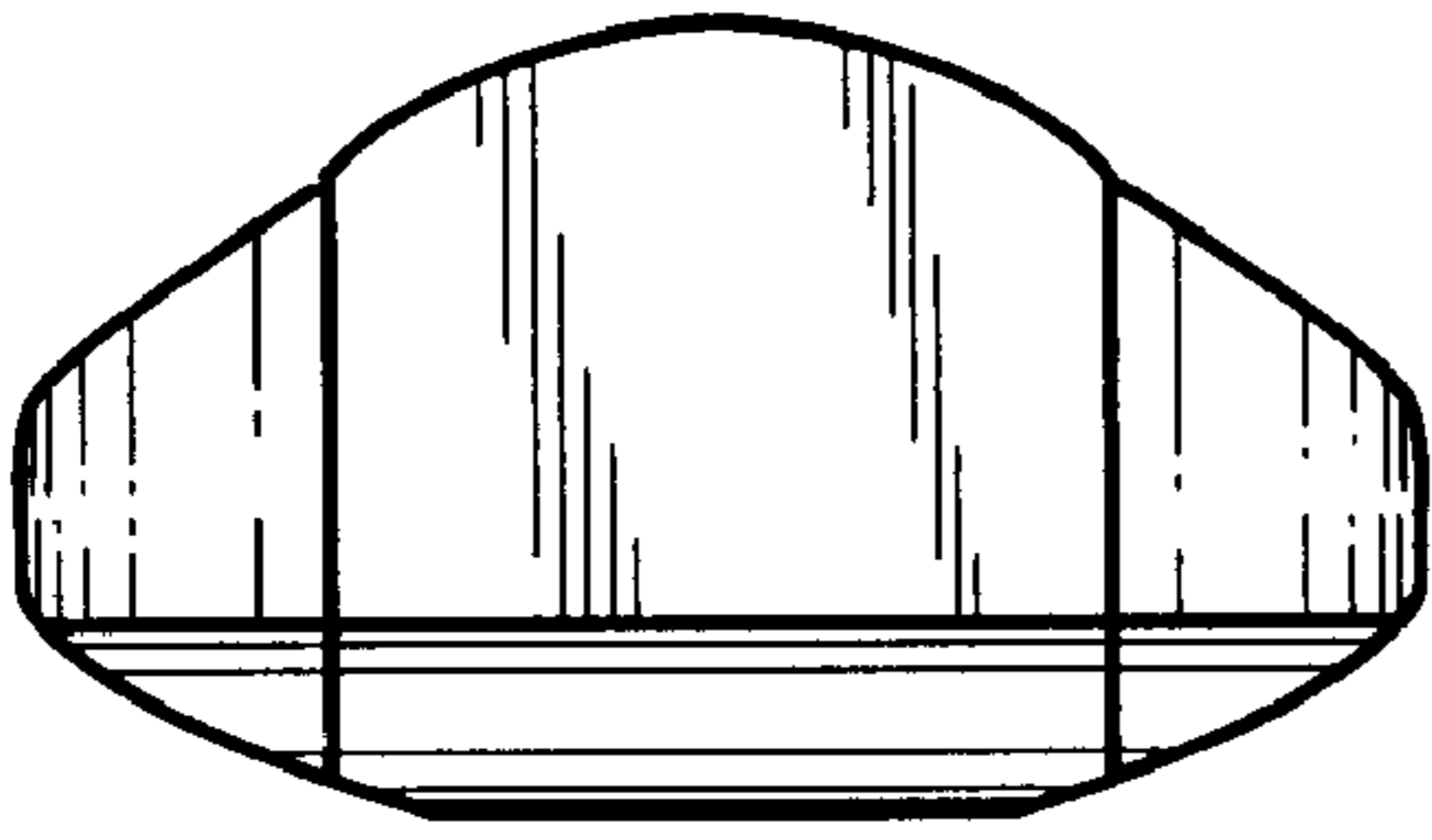
*Fig. 4*



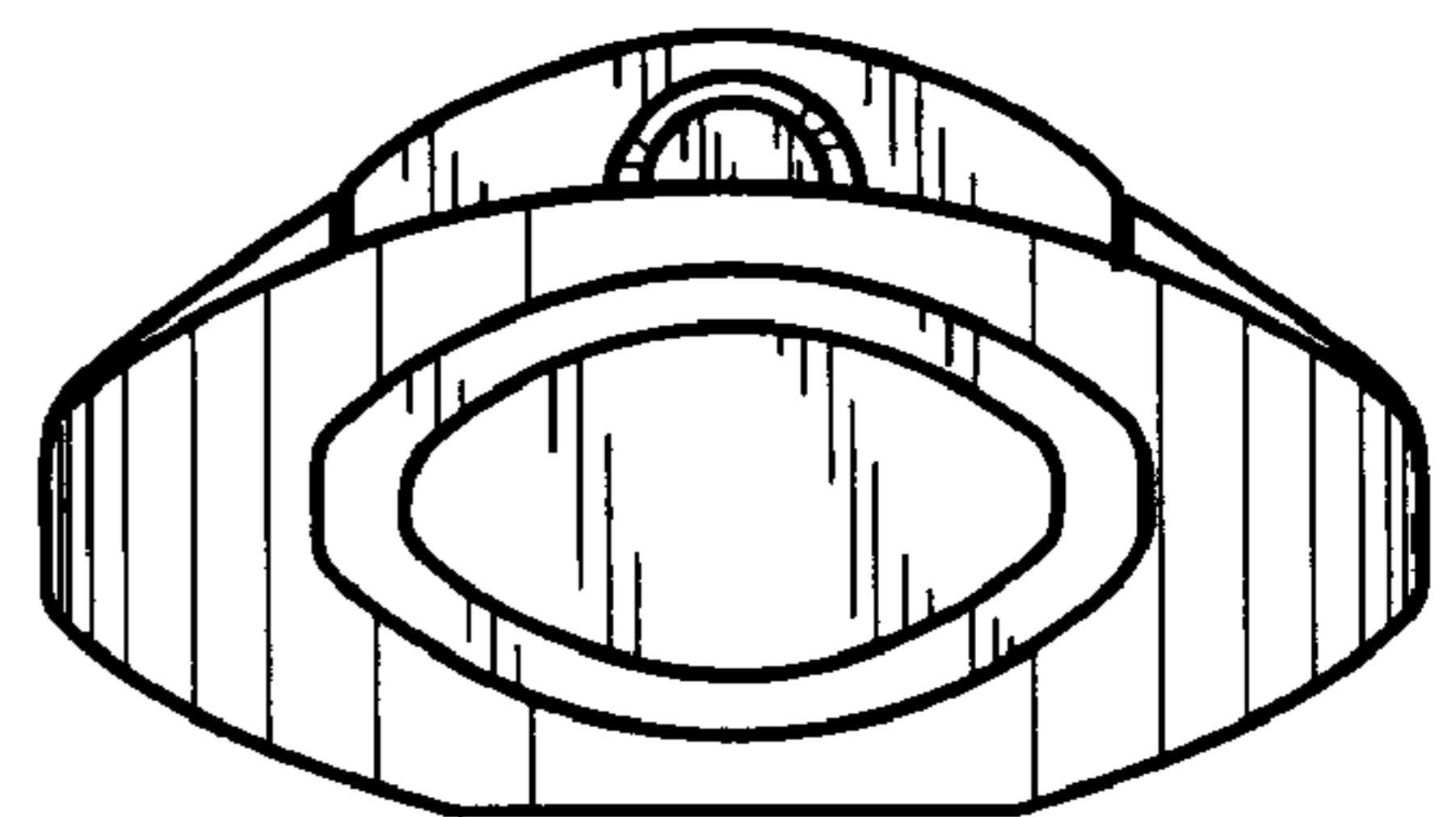
*Fig. 5*



*Fig. 6*

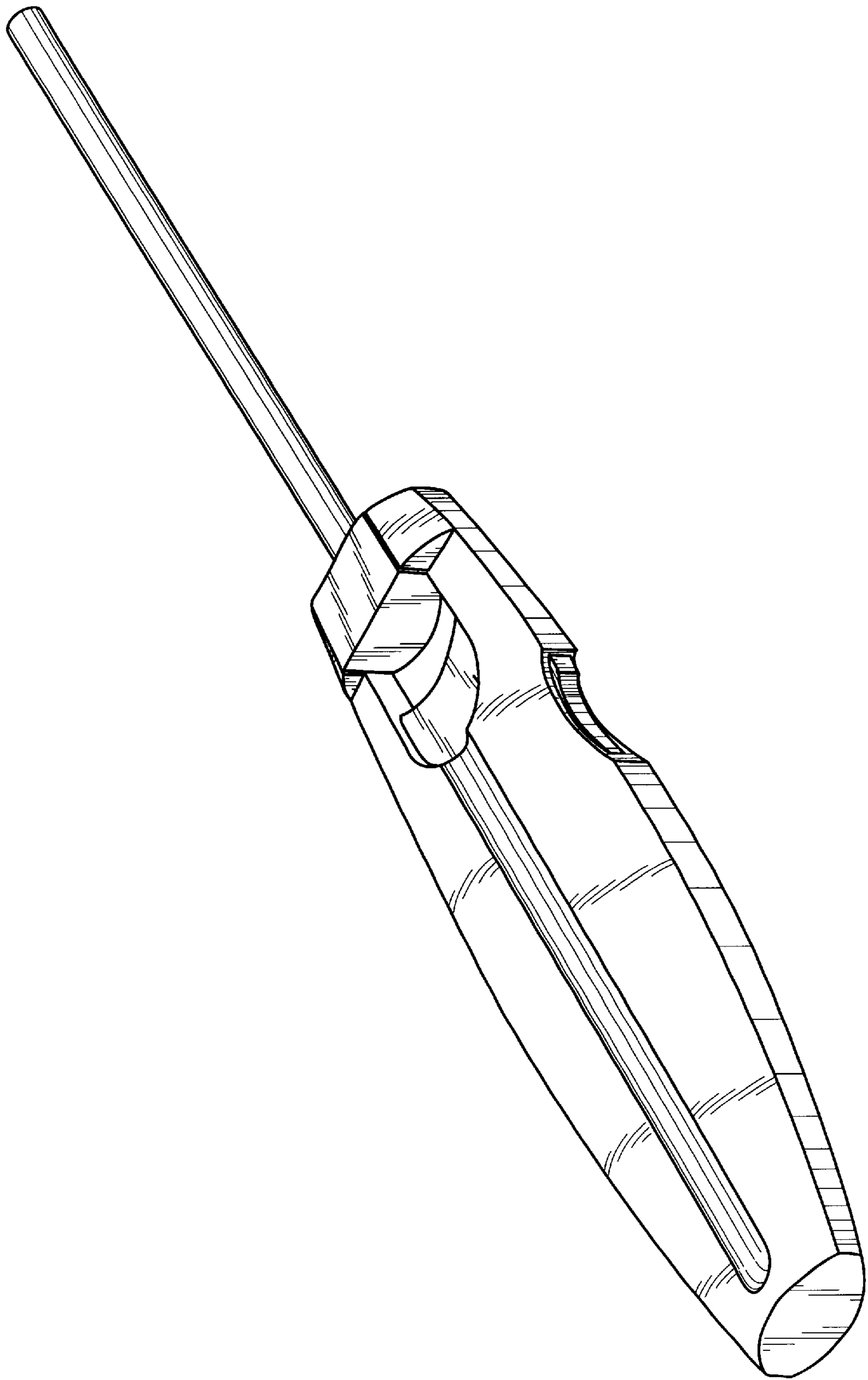


*Fig. 7*

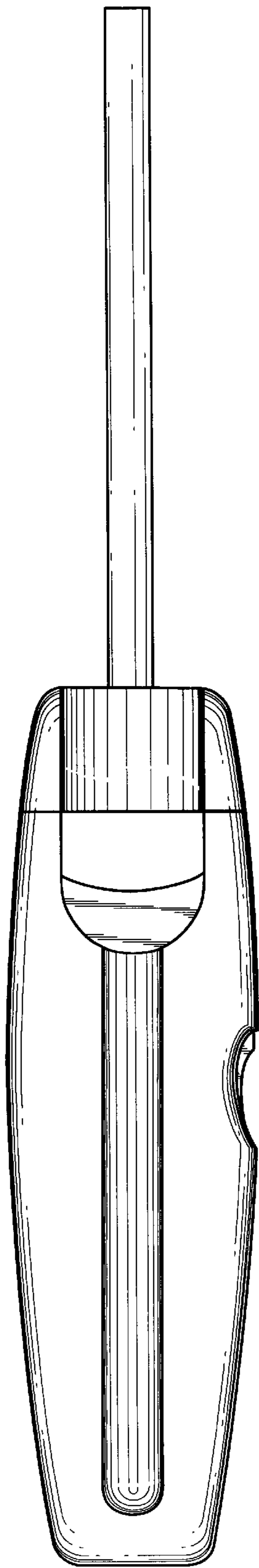


*Fig. 8*

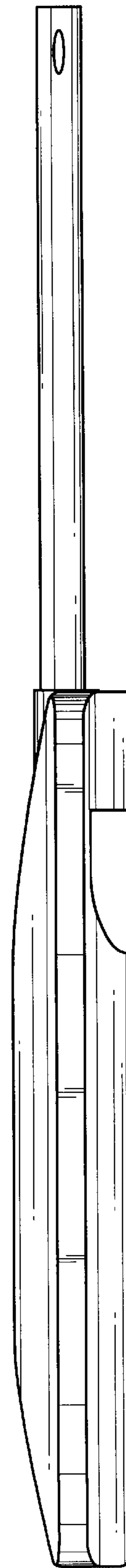




*Fig. 9*



*Fig. 10*



*Fig. 11*