



US00D454276S

(12) **United States Design Patent**  
**Pai**

(10) **Patent No.:** **US D454,276 S**

(45) **Date of Patent:** **\*\* Mar. 12, 2002**

(54) **GRILL**

(76) **Inventor:** **Lucas Pai**, 8 Fl.-2, No. 160, Sec. 1,  
Chung-Kang Rd., Taichung (TW)

(\*\*) **Term:** **14 Years**

(21) **Appl. No.:** **29/139,336**

(22) **Filed:** **Mar. 28, 2001**

(51) **LOC (7) Cl.** ..... **07-02**

(52) **U.S. Cl.** ..... **D7/334**

(58) **Field of Search** ..... D7/332, 334, 335,  
D7/336, 337, 402, 409; 126/25 R, 25 A,  
25 AA, 41 R, 29-30, 9 R, 9 B, 4, 6, 506,  
519; D23/343, 348, 350, 317, 332, 334-336,  
338-339; 99/443, 350, 421 R; 248/156

(56) **References Cited**

**U.S. PATENT DOCUMENTS**

- D316,355 S \* 4/1991 Stephen et al. .... D7/334
- D362,153 S \* 9/1995 Home ..... D7/334
- D373,701 S \* 9/1996 Moore ..... D7/334
- D404,963 S \* 2/1999 Schlosser et al. .... D7/334

- D406,488 S \* 3/1999 Bates et al. .... D7/334
- D406,489 S \* 3/1999 Williams et al. .... D7/334
- D412,425 S \* 8/1999 Pai ..... D7/334
- 6,131,562 A \* 10/2000 Schlosser et al. .... 126/41 R

\* cited by examiner

*Primary Examiner*—Ruth McInroy

(74) *Attorney, Agent, or Firm*—Kolisich Hartwell Dickinson  
McCormack & Heuser

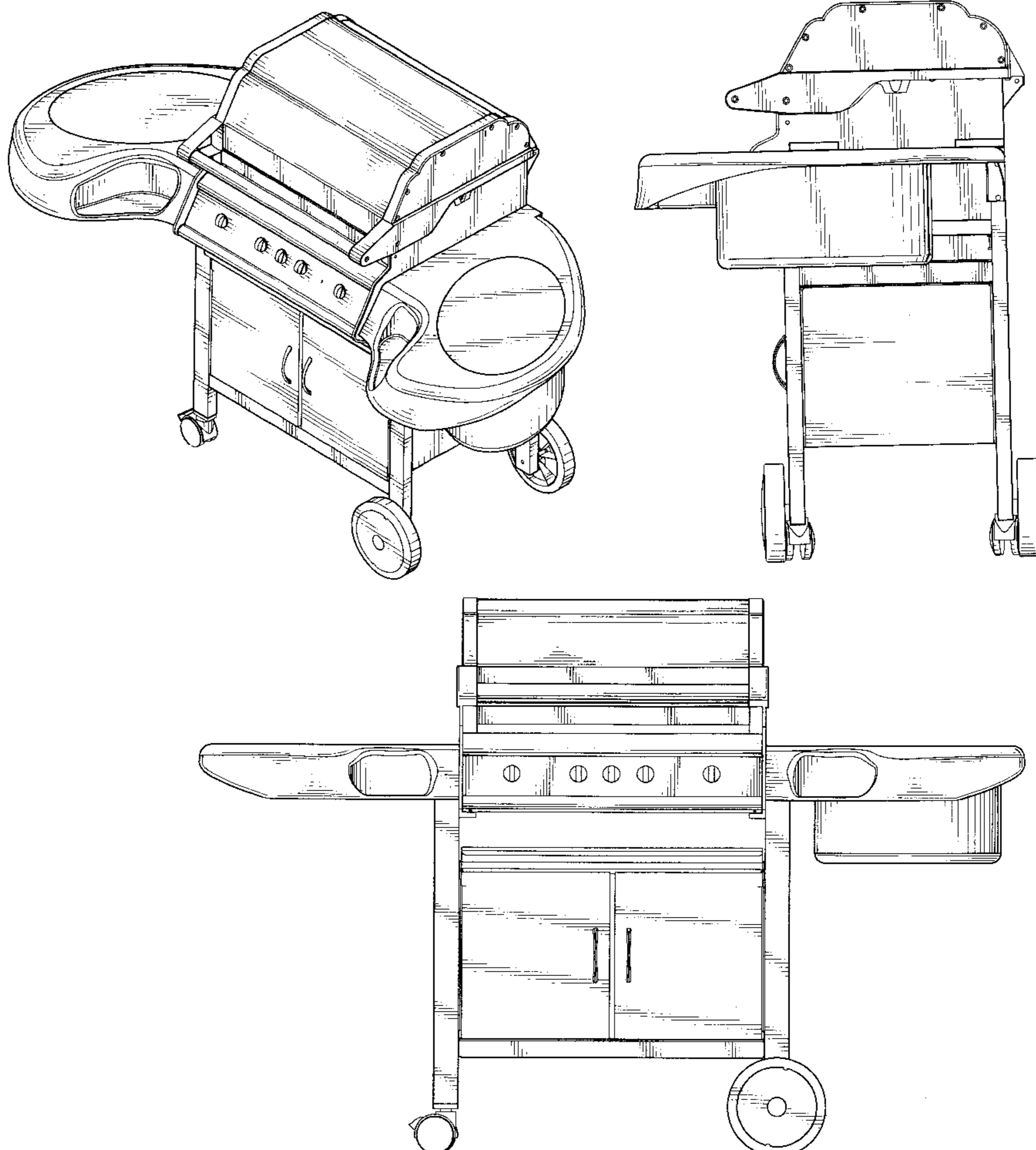
(57) **CLAIM**

The ornamental design for a grill, as shown.

**DESCRIPTION**

FIG. 1 is a perspective view of a grill showing my new design;  
 FIG. 2 is a front elevational view thereof;  
 FIG. 3 is a rear elevational view thereof;  
 FIG. 4 is a left side view thereof;  
 FIG. 5 is a right side view thereof;  
 FIG. 6 is a top plain view thereof; and,  
 FIG. 7 is a bottom plain view thereof.

**1 Claim, 7 Drawing Sheets**



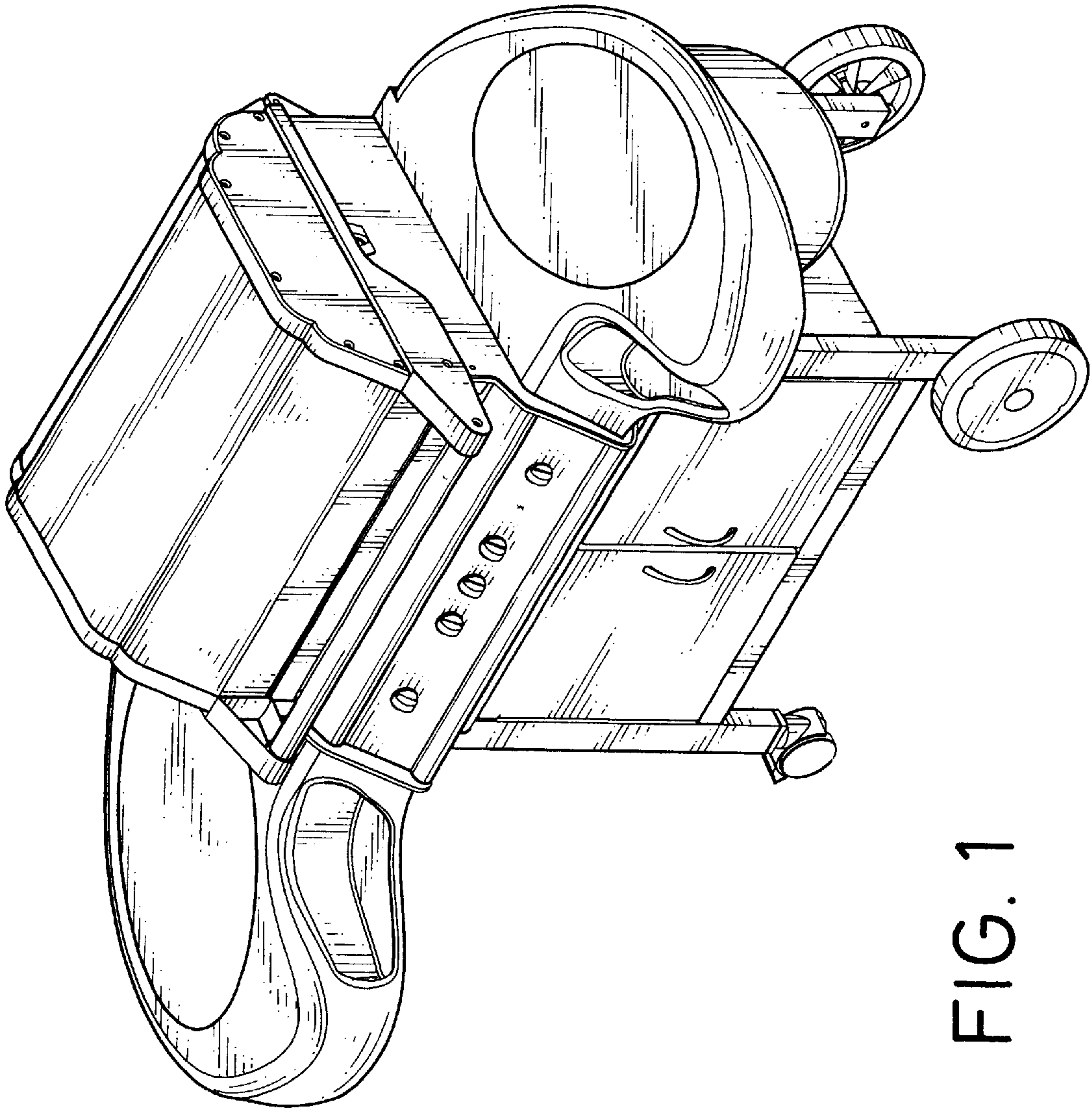


FIG. 1

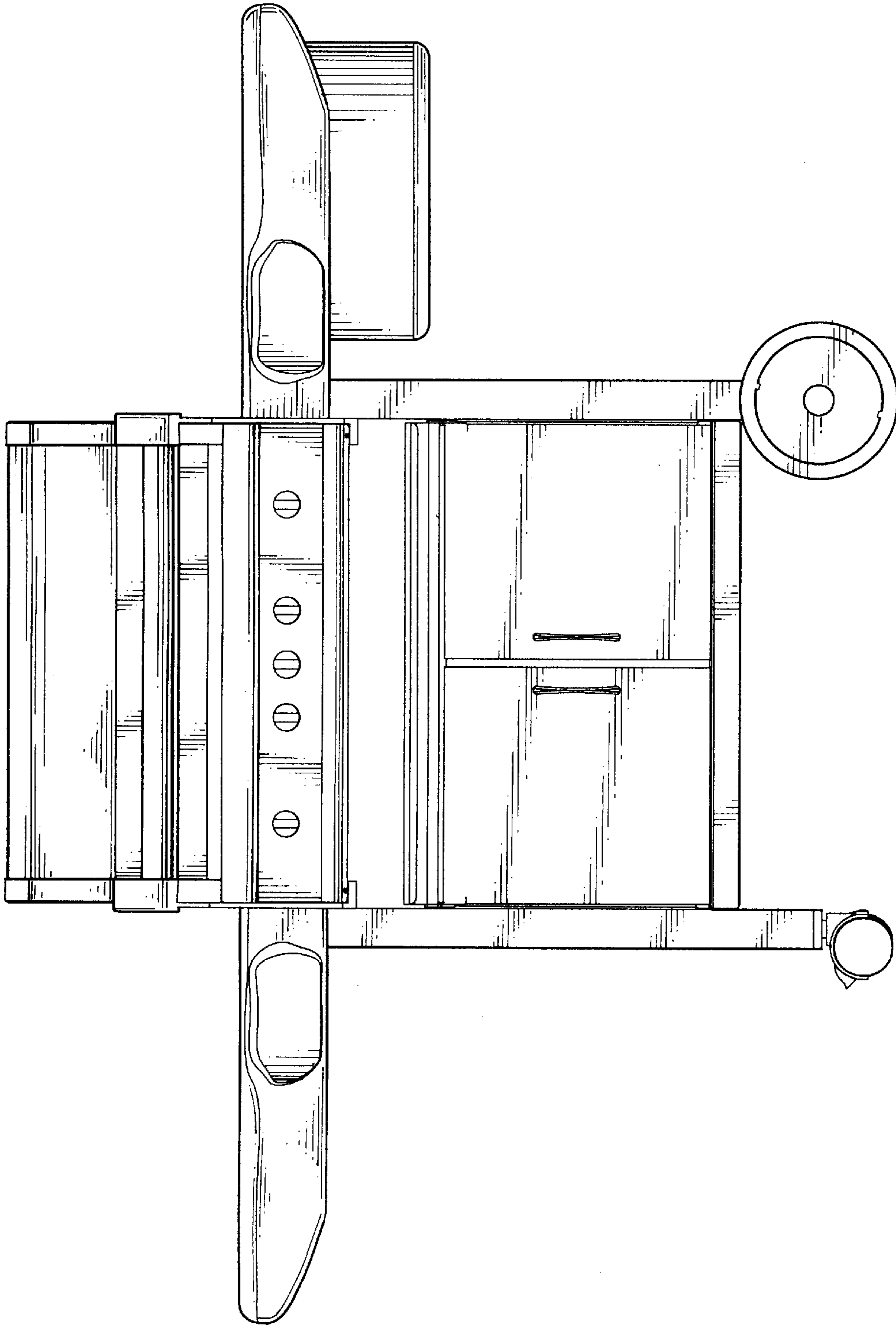


FIG. 2

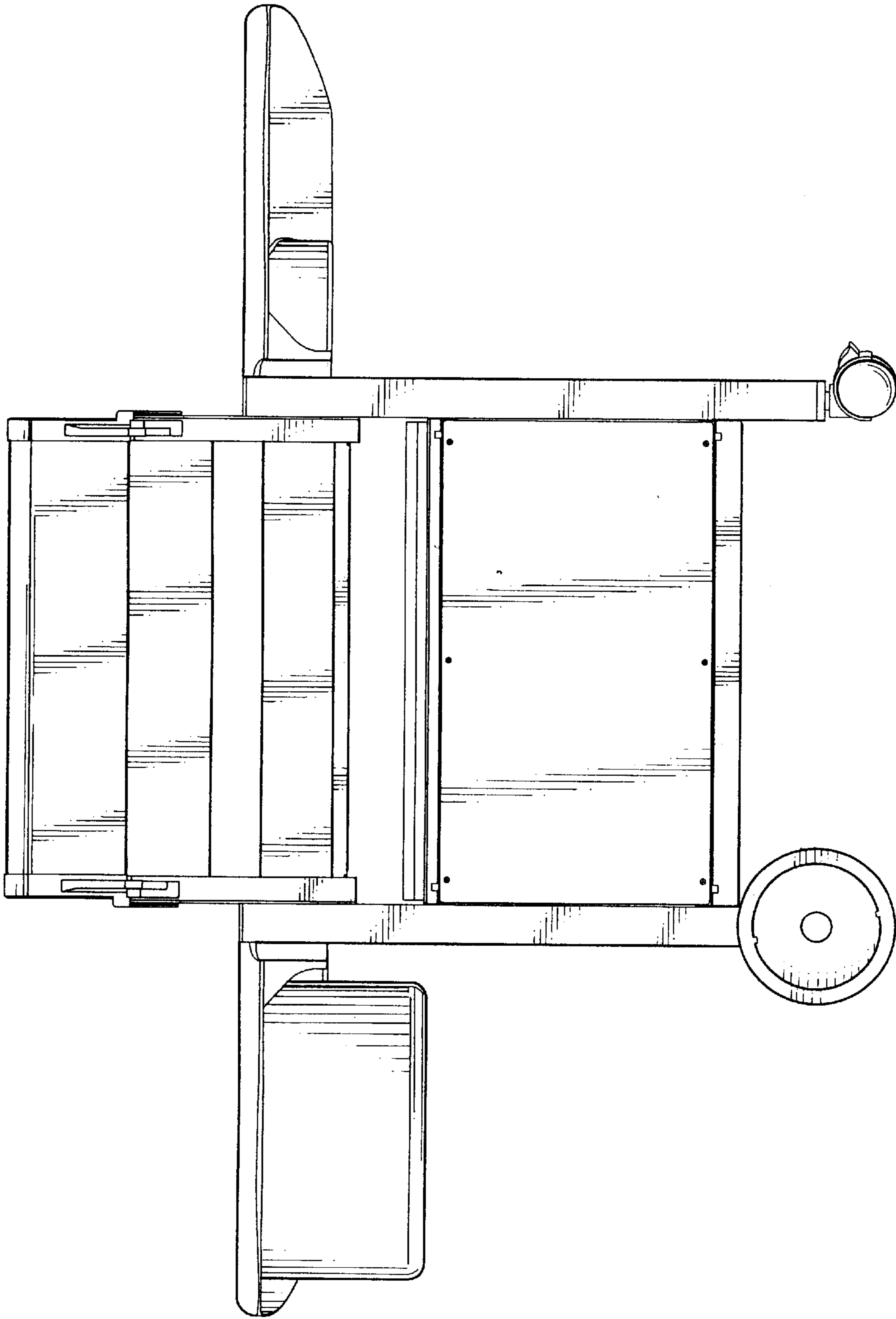


FIG. 3

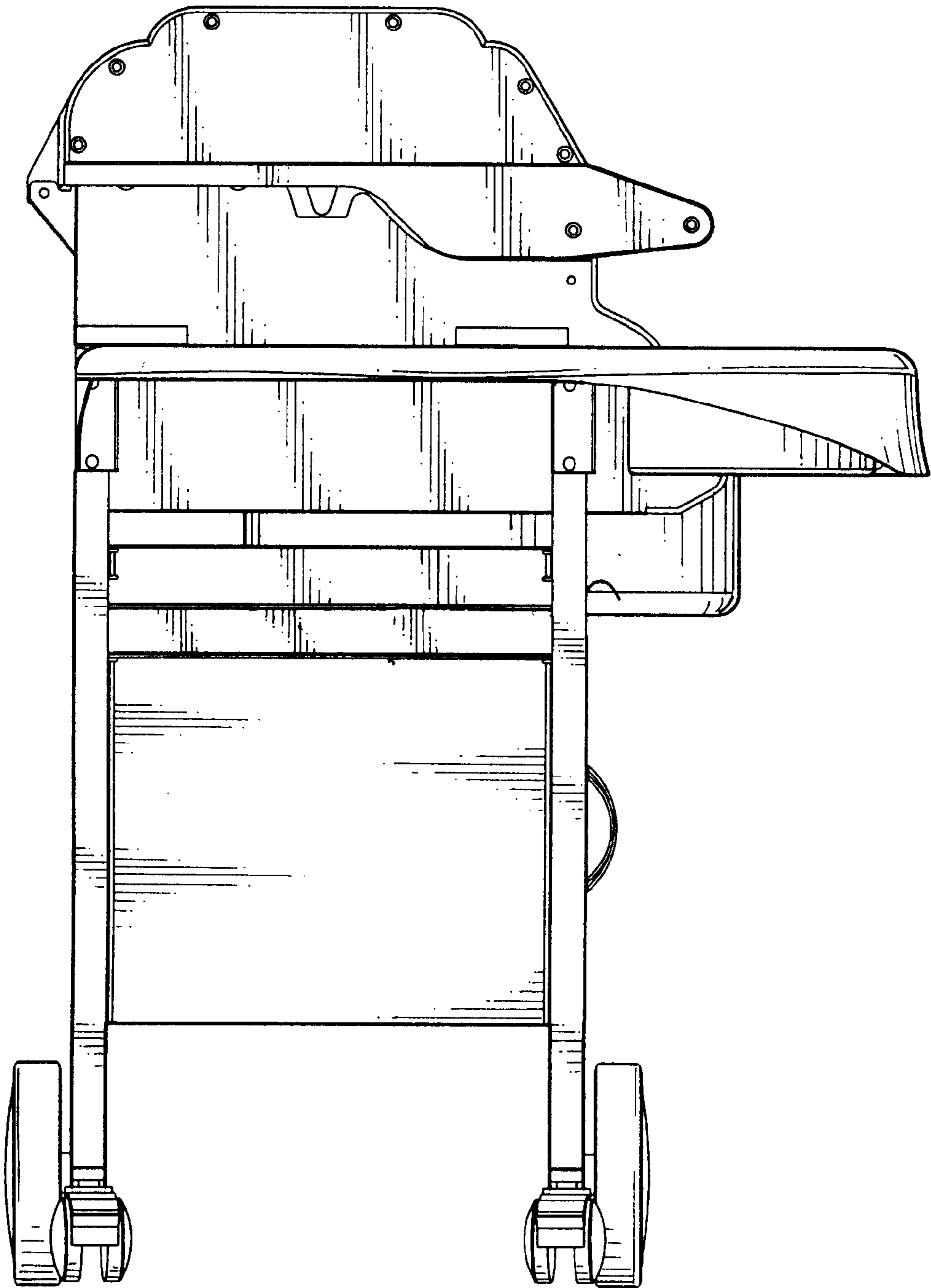


FIG. 4

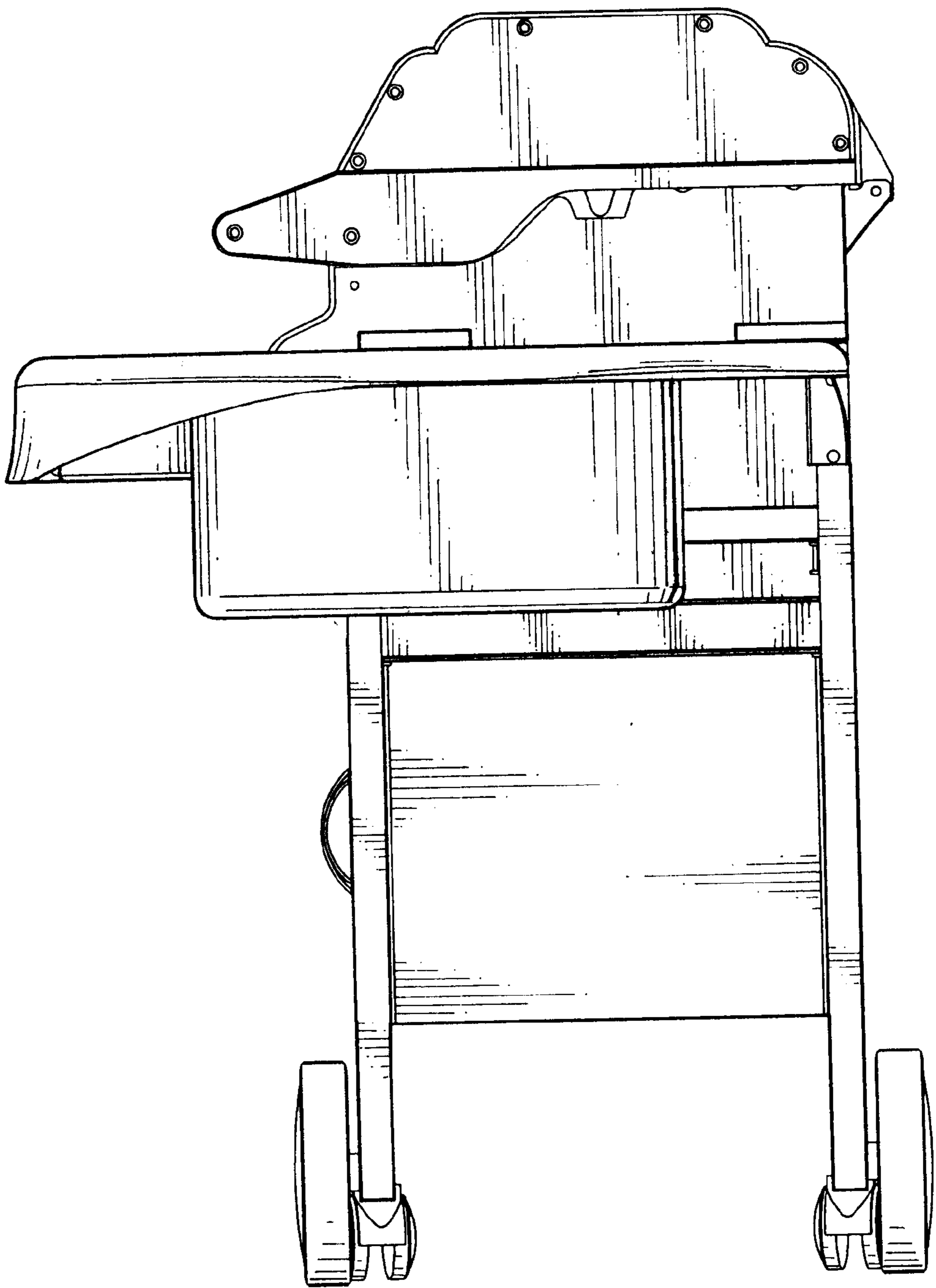


FIG. 5

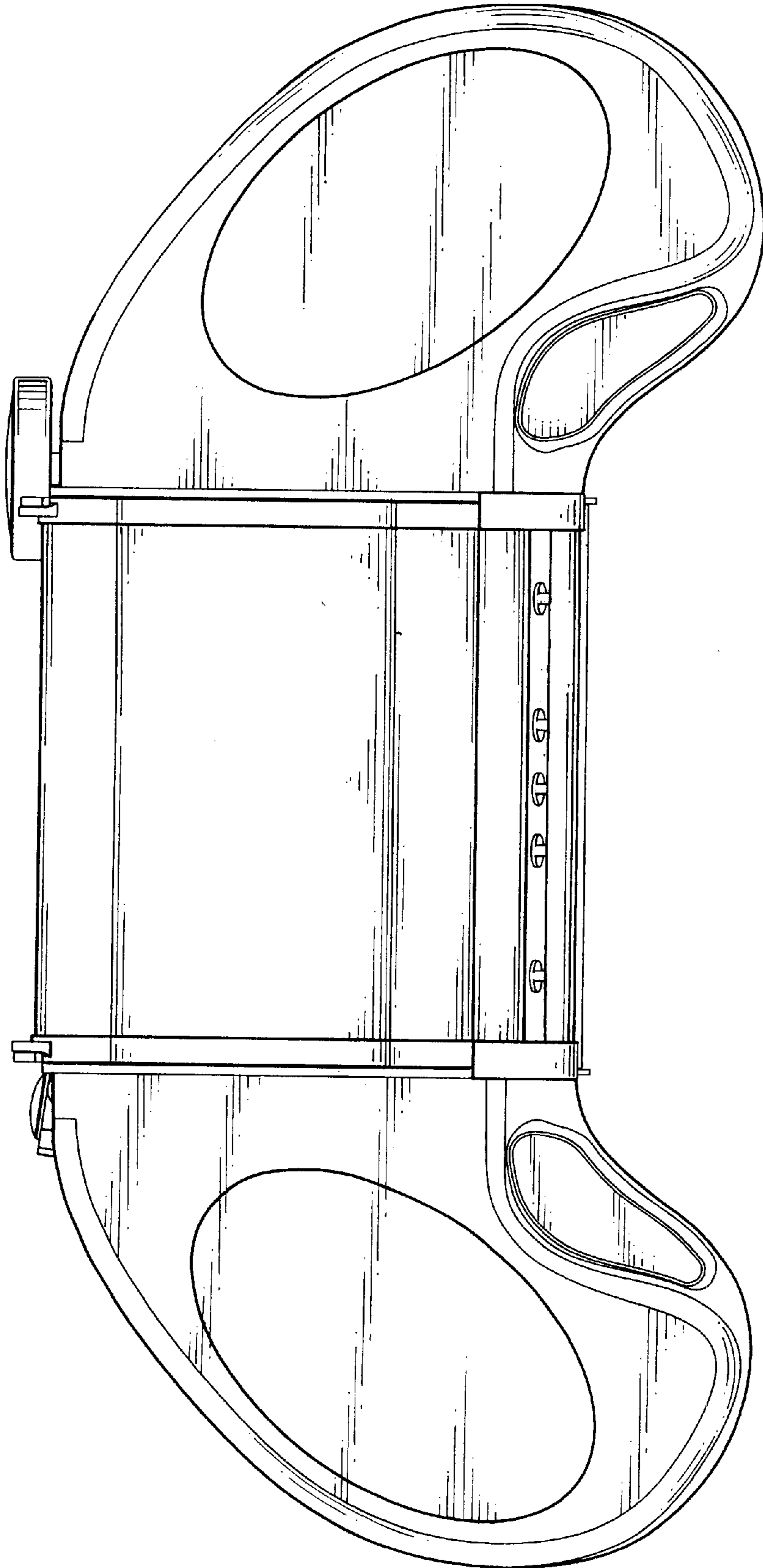


FIG. 6

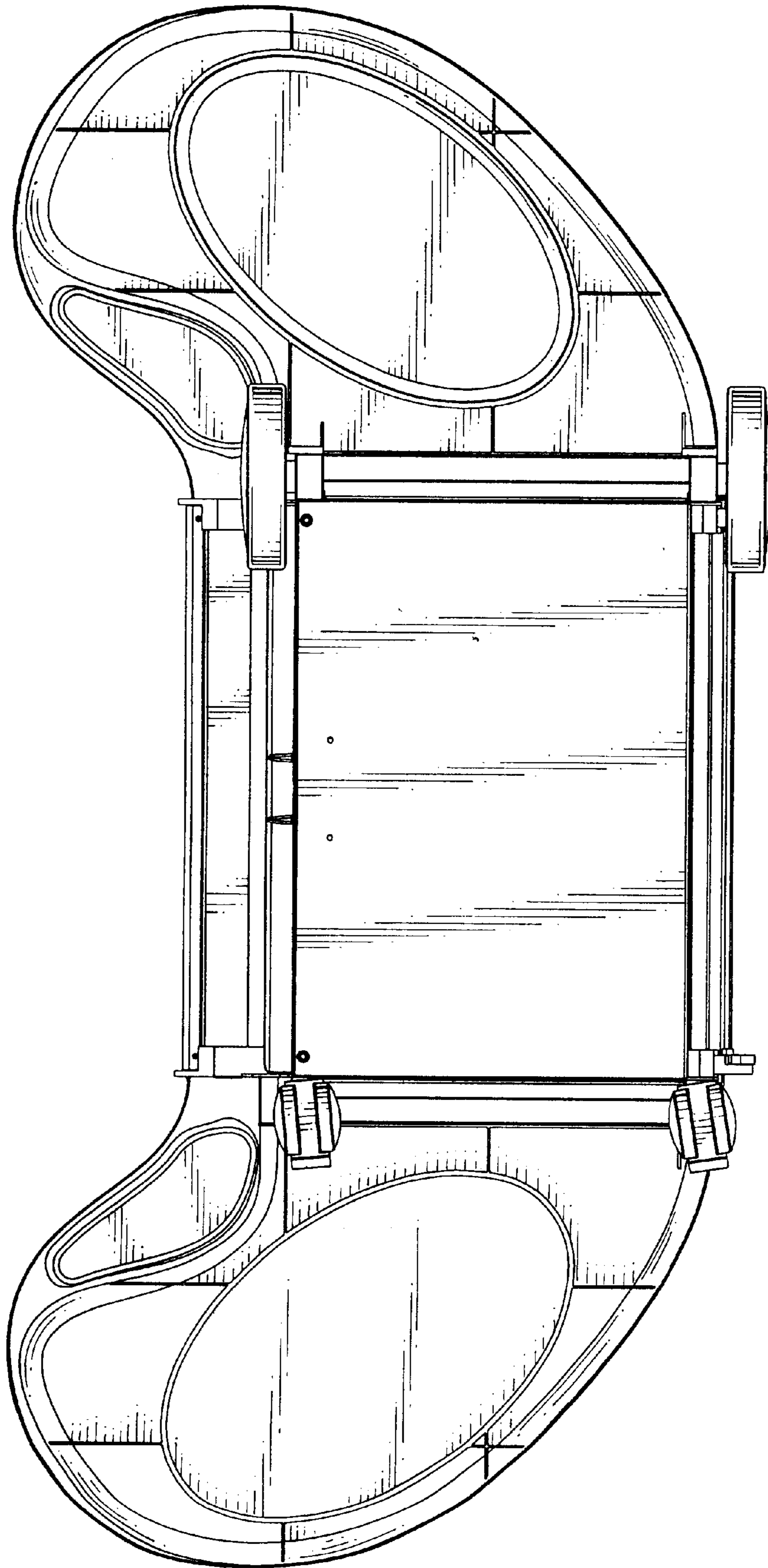


FIG. 7