



US00D454275S

(12) **United States Design Patent**
Lillelund et al.

(10) **Patent No.:** **US D454,275 S**
(45) **Date of Patent:** **** Mar. 12, 2002**

(54) **INSULATED FRENCH PRESS COFFEE SERVER**

(75) Inventors: **Stig Lillelund**, Gentofte; **Jakob Heiberg**, Charlottenlund; **Hanne Dalsgaard Jeppesen**, Holte, all of (DK); **Robert H. C. M. Daenen**, Aalst (BE)

(73) Assignee: **Dart Industries Inc.**, Orlando, FL (US)

(**) Term: **14 Years**

(21) Appl. No.: **29/146,896**

(22) Filed: **Aug. 17, 2001**

(51) **LOC (7) Cl.** **07-01**

(52) **U.S. Cl.** **D7/319; D7/317**

(58) **Field of Search** D7/316, 317, 318, D7/319, 312, 303; 99/279, 297, 295, 280, 299; 215/12.1; 222/465.1, 475.1; 210/466

(56) **References Cited**

U.S. PATENT DOCUMENTS

D160,177 S	*	9/1950	Kirman	D7/317
D192,038 S	*	1/1962	Carpenter	D7/303
3,927,608 A		12/1975	Doyel		
D323,951 S	*	2/1992	Inoue	D7/317
5,176,329 A		1/1993	DeCoster et al.		
D342,416 S	*	12/1993	Morgan	D7/319

5,381,916 A		1/1995	Strawder		
D363,409 S	*	10/1995	Huang	D7/317
5,478,586 A		12/1995	Connor		
5,618,570 A		4/1997	Banks et al.		
5,635,233 A		6/1997	Levinson		
D394,981 S	*	6/1998	Huang	D7/319
D395,576 S	*	6/1998	Huang	D7/319
5,970,849 A	*	10/1999	Baumann et al.	99/299
6,079,319 A		6/2000	Barden et al.	99/297
6,152,018 A		11/2000	Yeh	99/279

* cited by examiner

Primary Examiner—M. N. Pandozzi

(74) *Attorney, Agent, or Firm*—Taylor J. Ross

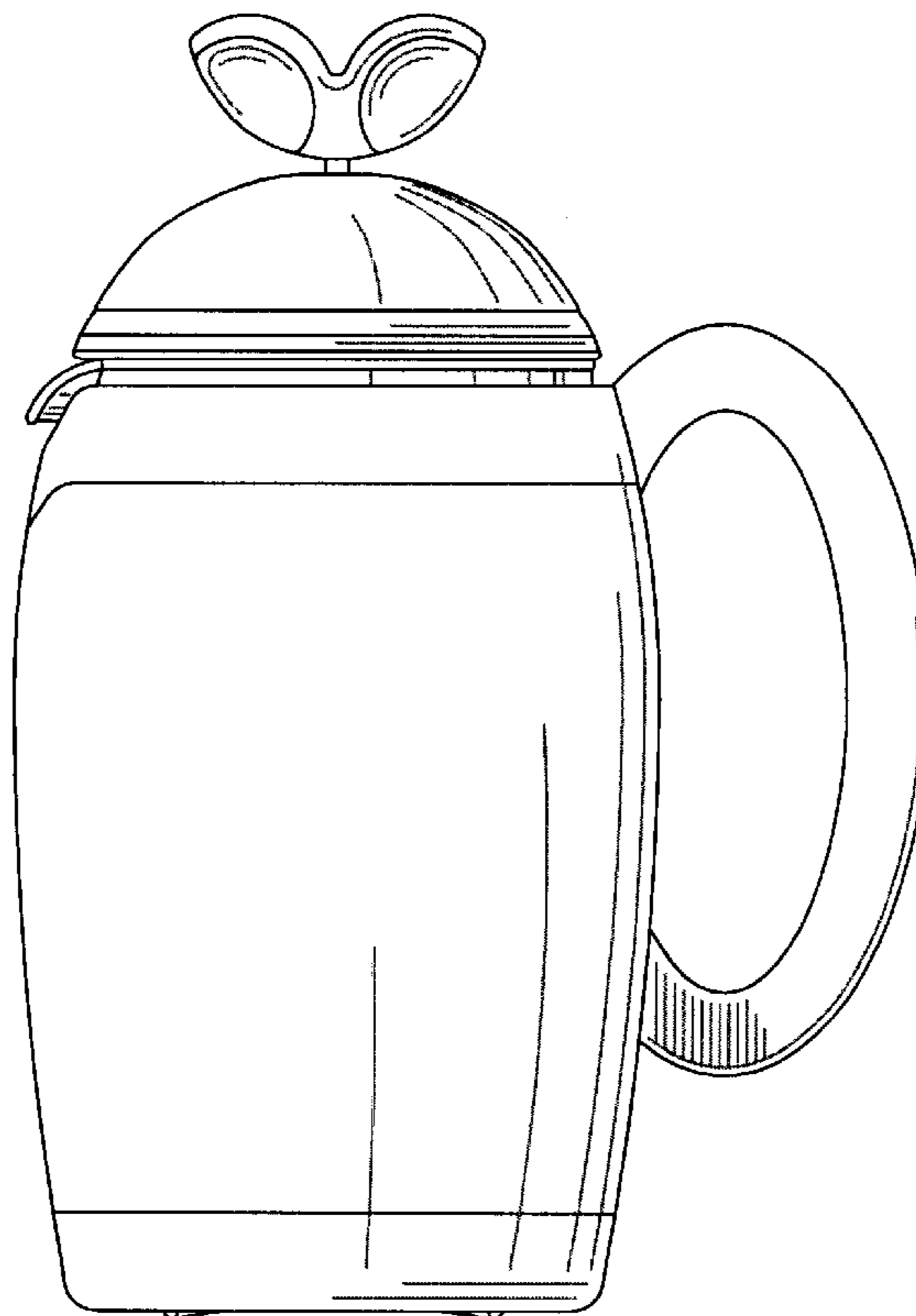
(57) **CLAIM**

The ornamental design for a insulated french press coffee server, as shown and described.

DESCRIPTION

FIG. 1 is a top, side and front perspective view of a insulated french press coffee server showing the new design; FIG. 2 is a top, side and rear perspective view thereof; FIG. 3 is a right side elevation view thereof; FIG. 4 is a left side elevation view thereof; FIG. 5 is a front elevation view thereof; FIG. 6 is a rear elevation view thereof; FIG. 7 is a top plan view thereof; and, FIG. 8 is a bottom plan view thereof.

1 Claim, 3 Drawing Sheets



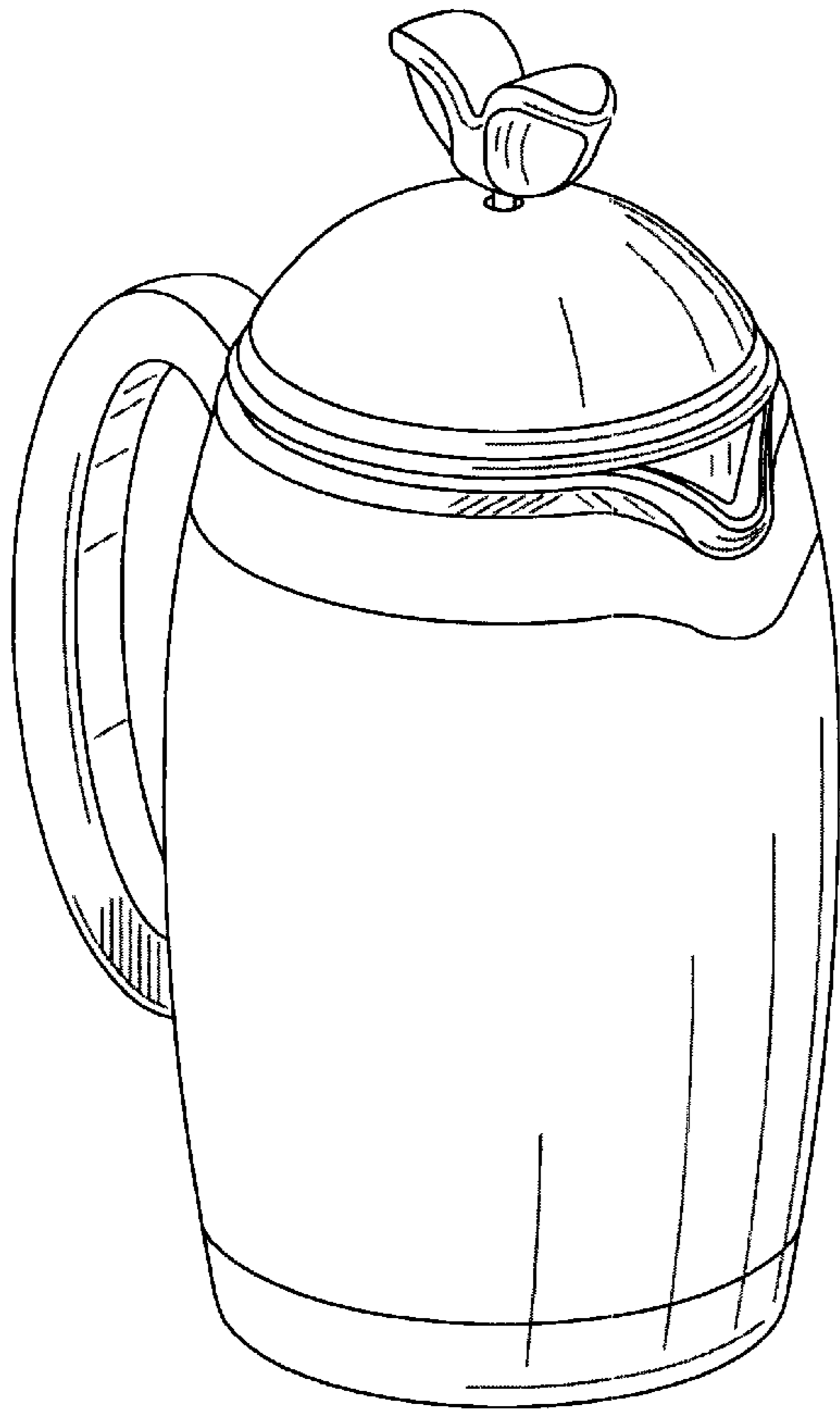


FIG. 1

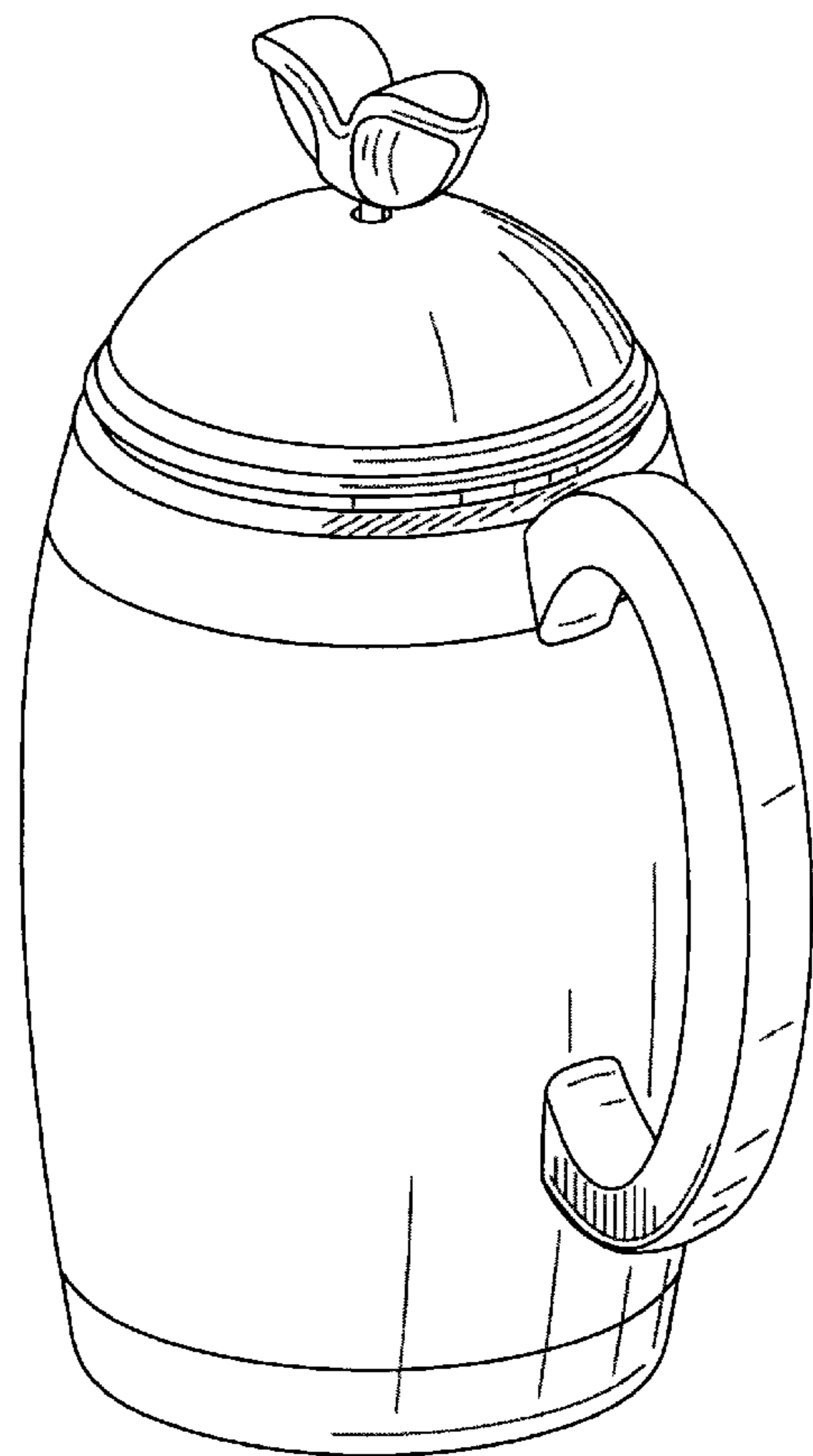


FIG. 2

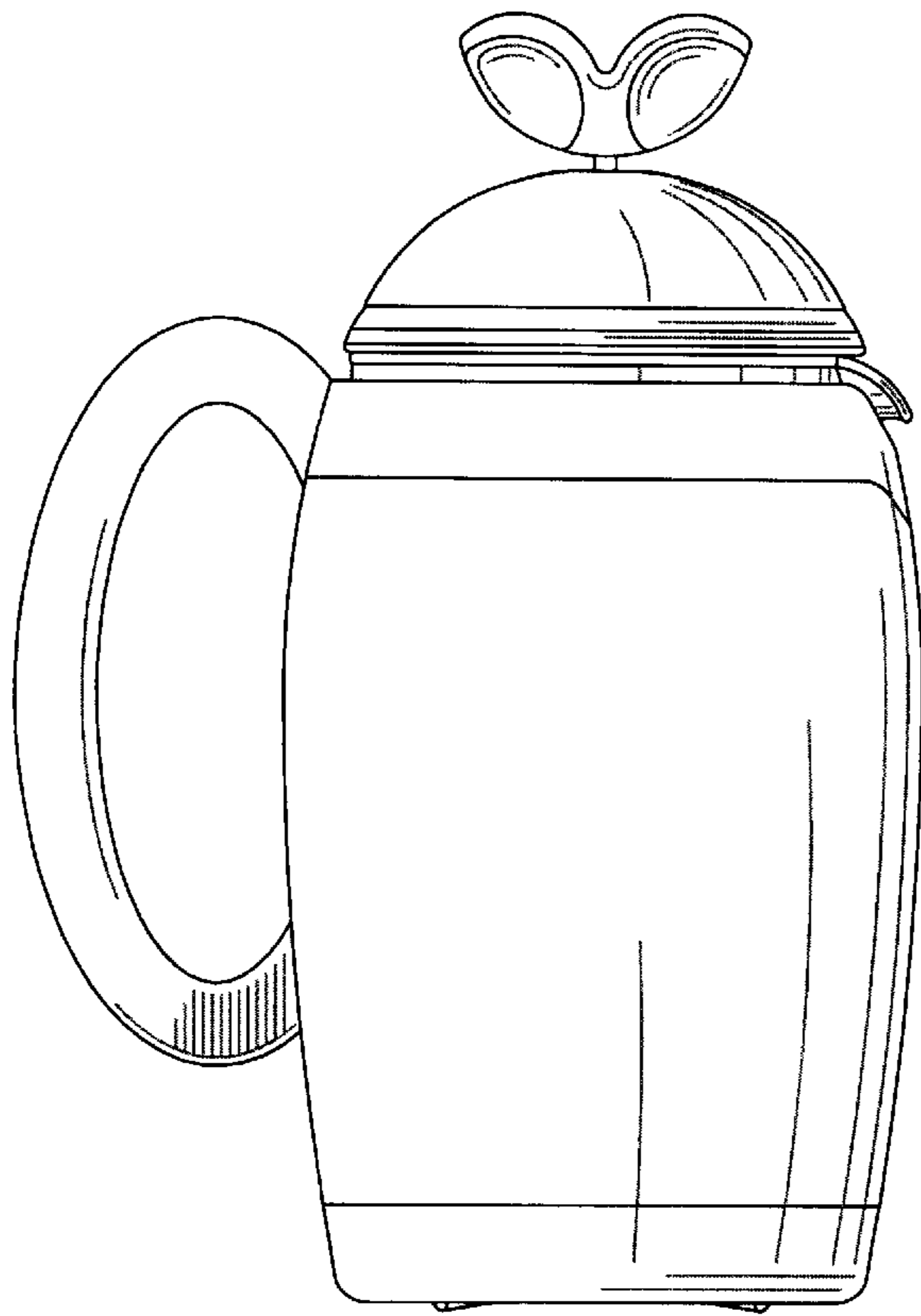


FIG. 3

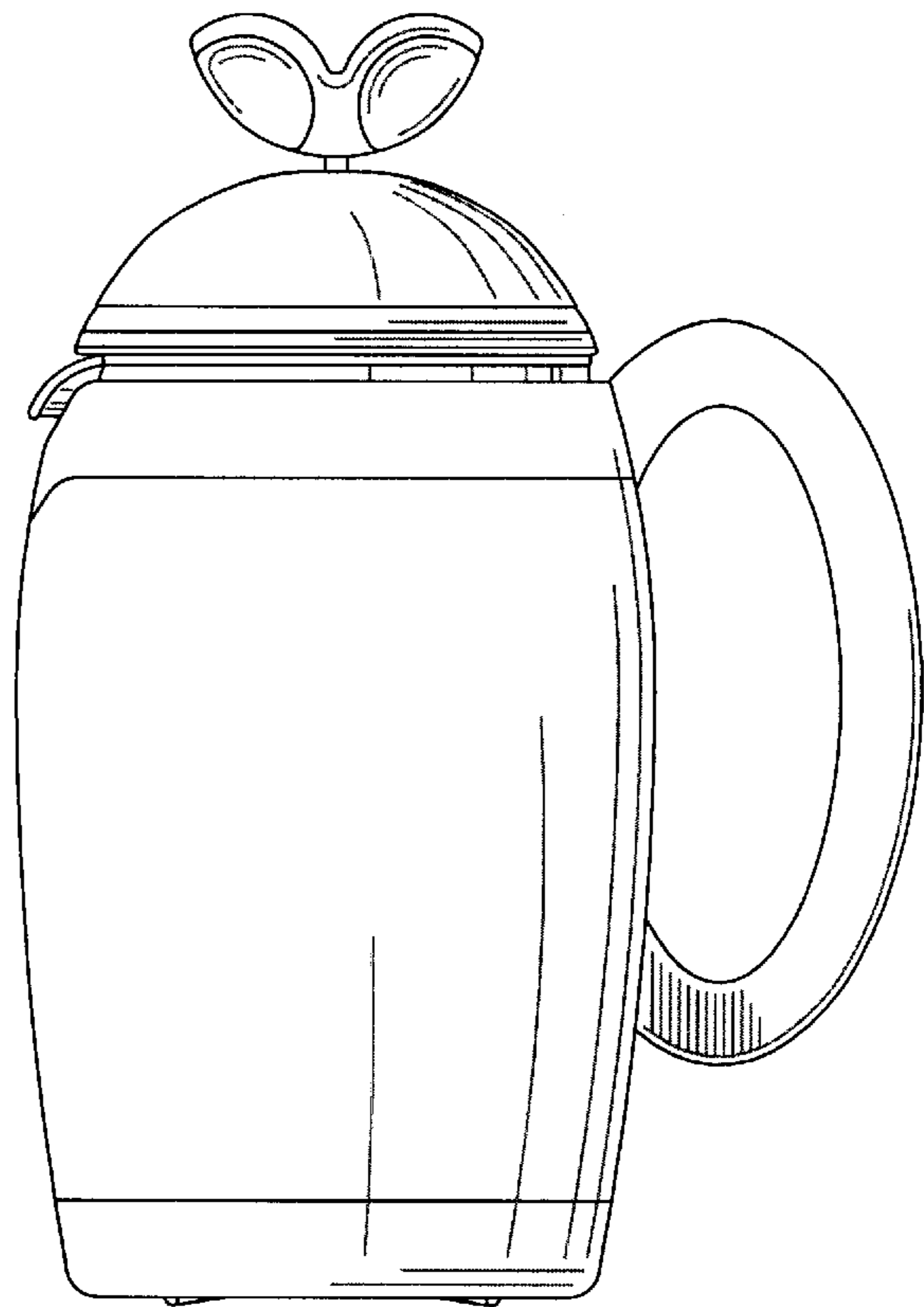


FIG. 4

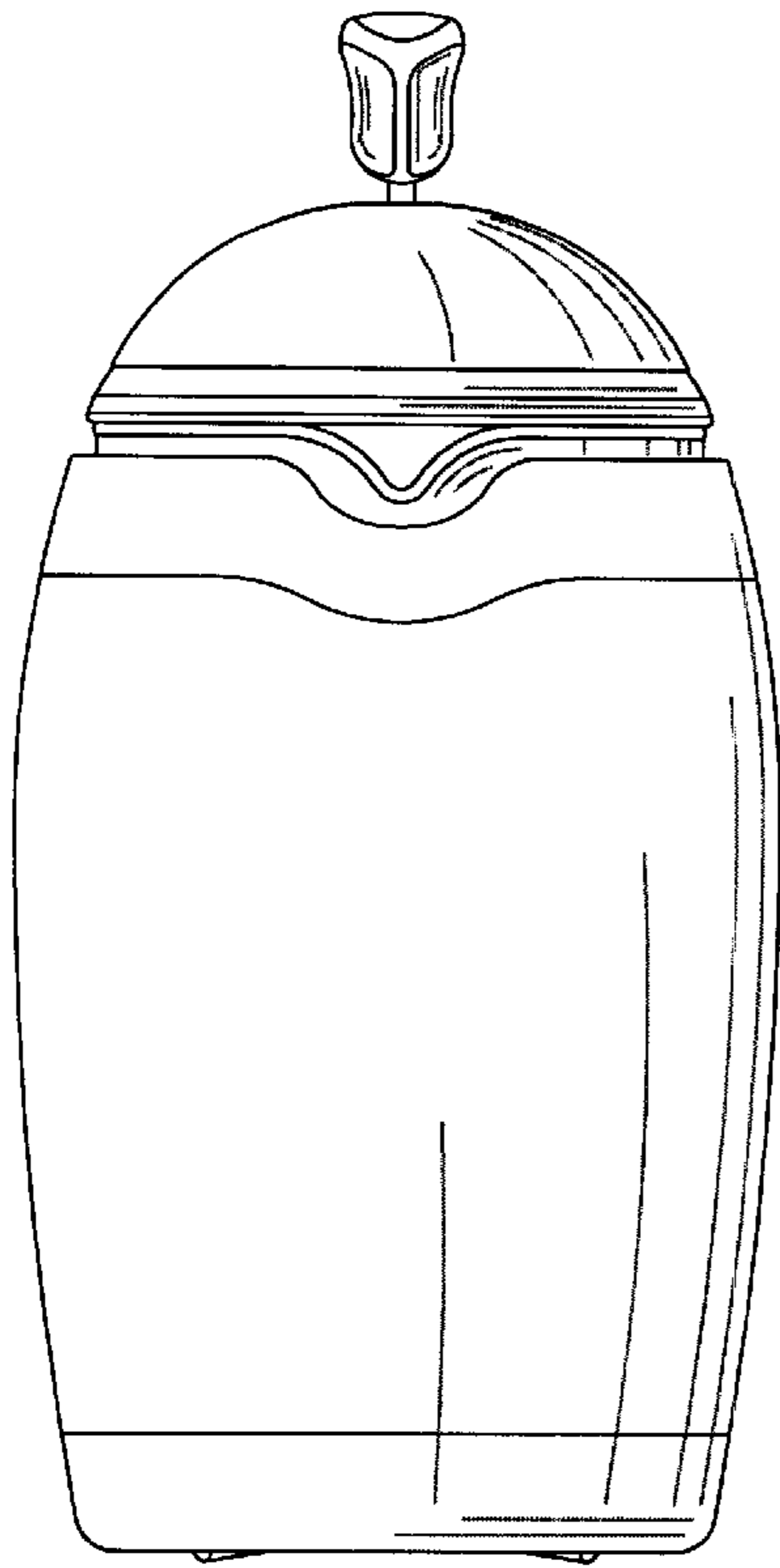


FIG. 5

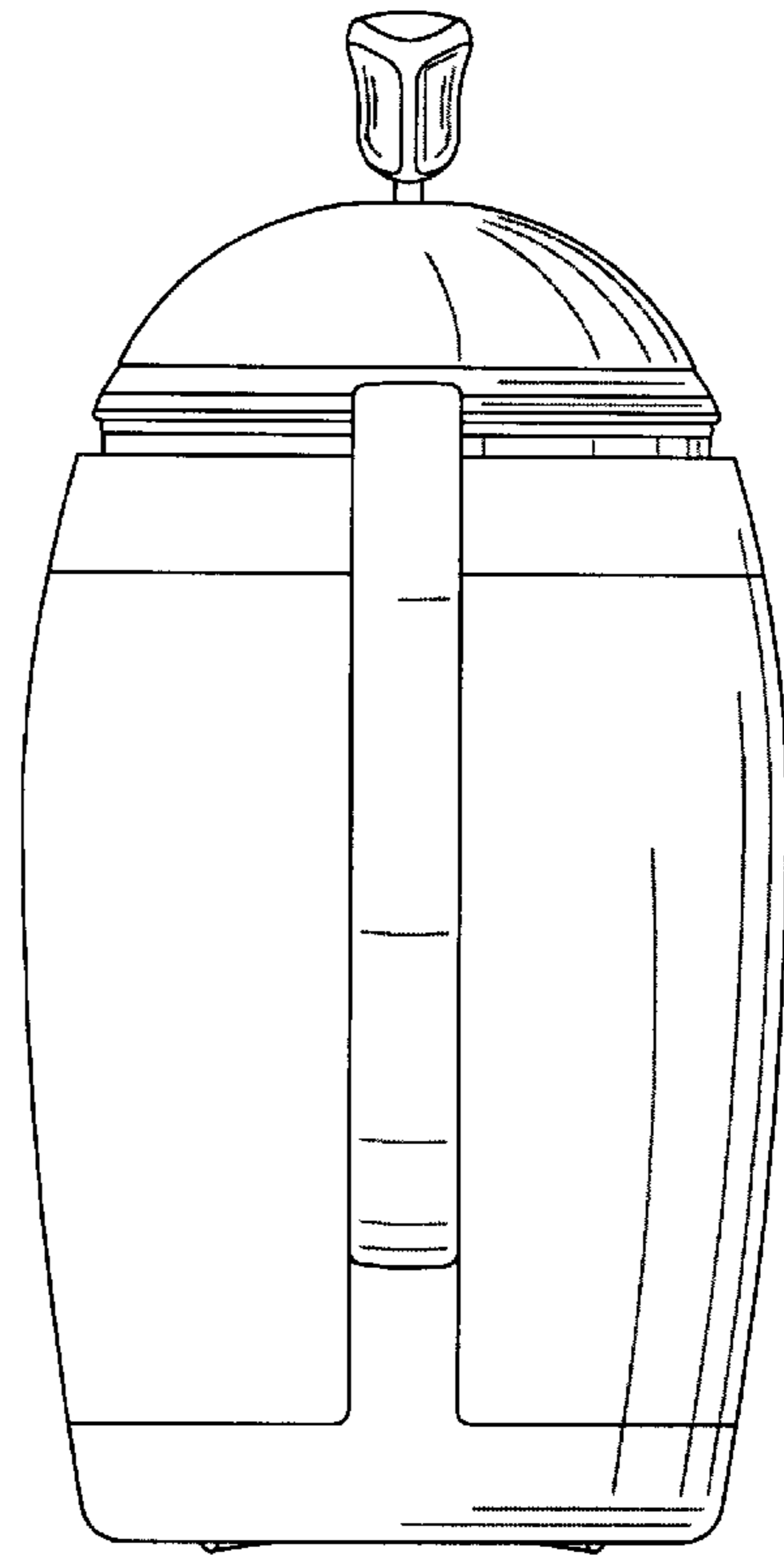


FIG. 6

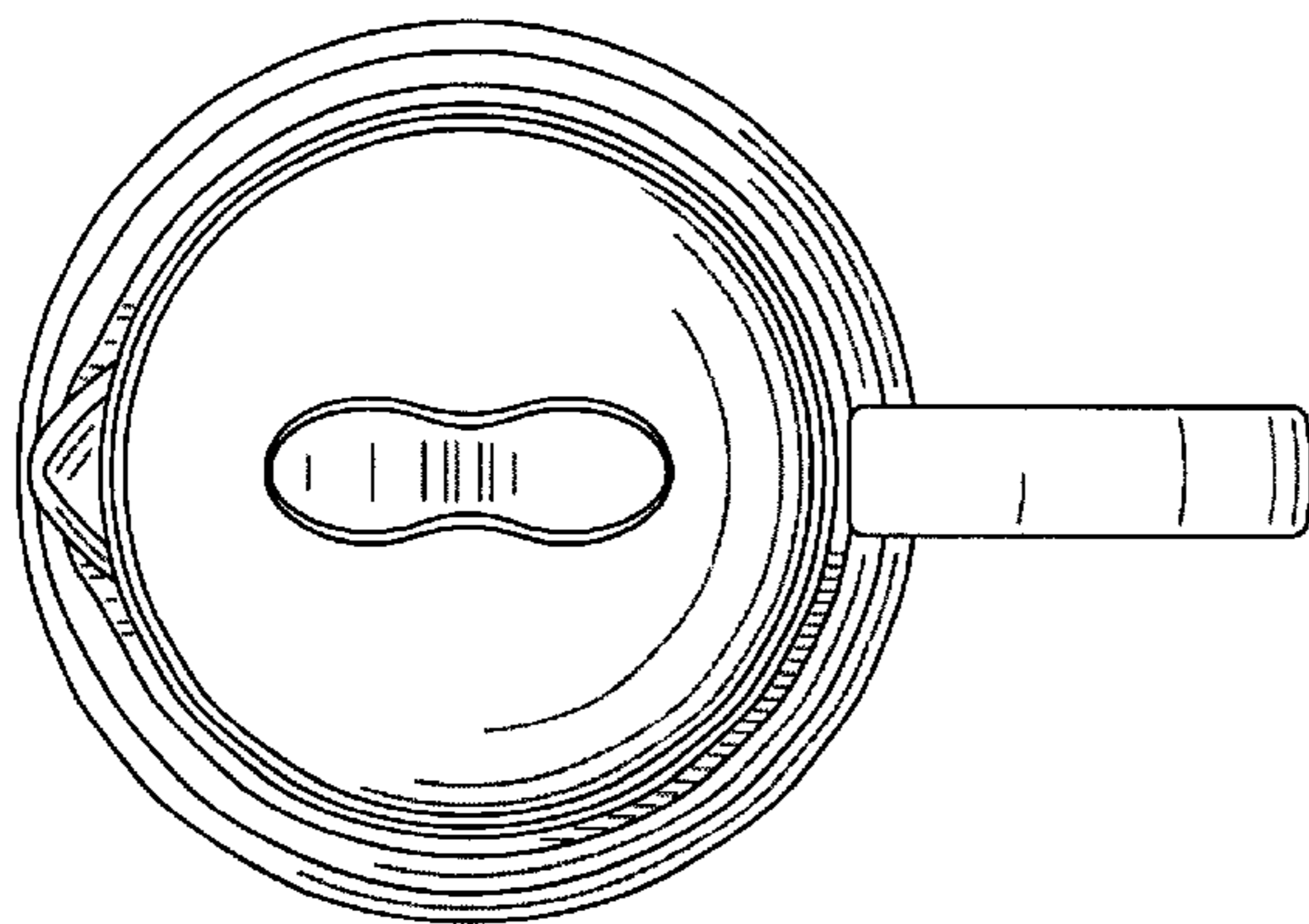


FIG. 7

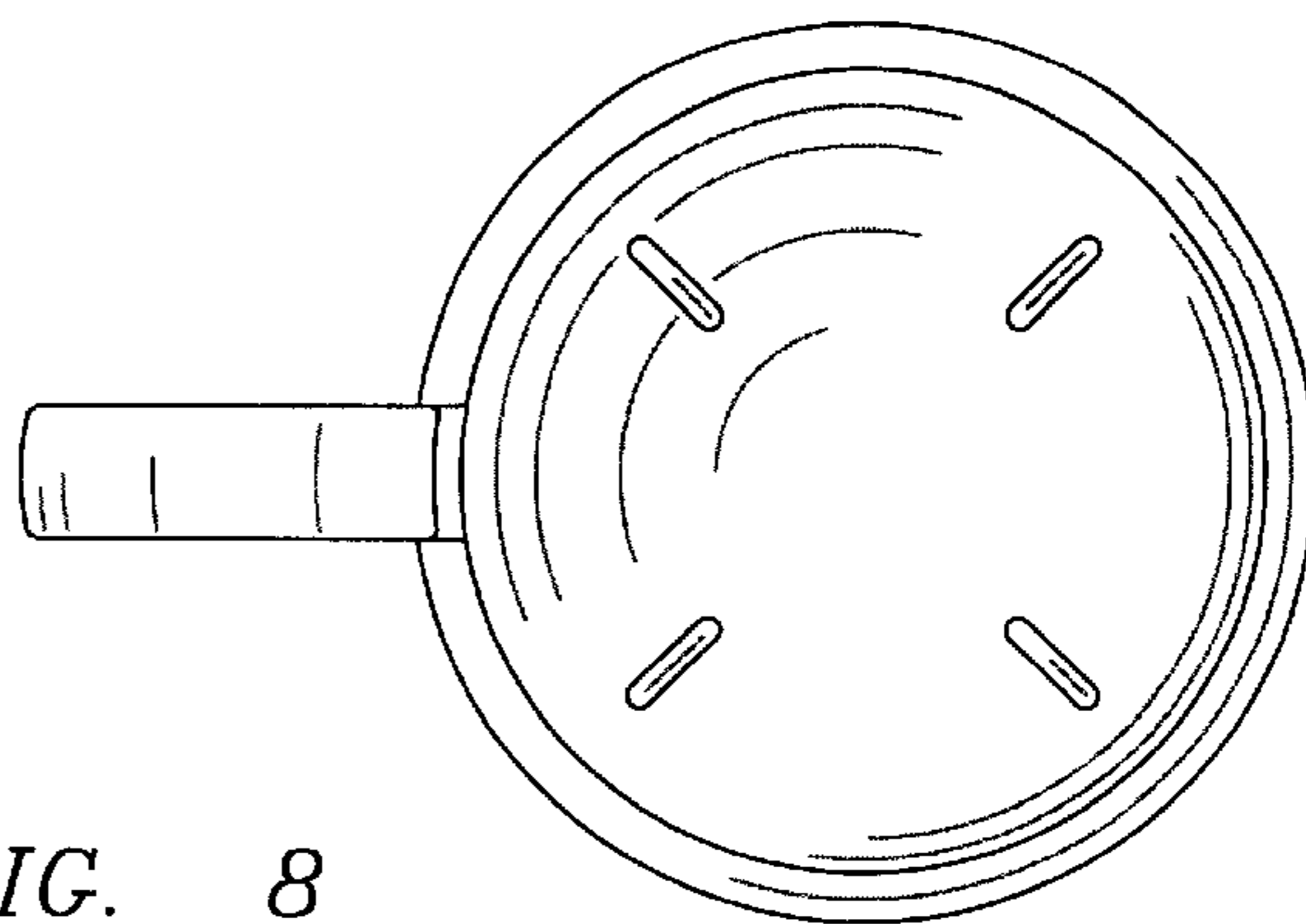


FIG. 8