



US00D454273S

(12) **United States Design Patent**
Meck et al.

(10) **Patent No.:** **US D454,273 S**

(45) **Date of Patent:** **** Mar. 12, 2002**

(54) **TISSUE ROLL HOLDER**

(75) Inventors: **Leslie A. Meck**, Fleetwood; **Randy S. Cramer**, Lebanon; **Daniel J. Roche**, Wyomissing; **Renee K. Chesler**, Royersford, all of PA (US)

(73) Assignee: **Baldwin Hardware Corporation**, Reading, PA (US)

(**) Term: **14 Years**

(21) Appl. No.: **29/131,763**

(22) Filed: **Oct. 27, 2000**

(51) **LOC (7) Cl.** **23-02**

(52) **U.S. Cl.** **D6/523**

(58) **Field of Search** D6/546-50, 518, D6/522-24; D8/300, 315-21, 354, 363, 373, 380; 108/28-29; 211/13.1, 16, 60.1, 86.01, 87.01, 88.04, 100, 105.1-105.2, 123, 181.1, 182; 248/175, 176.1, 251, 302; 16/110.1, 412, 415; 242/570, 590, 595-598; 206/389

(56) **References Cited**

U.S. PATENT DOCUMENTS

D327,196 S * 6/1992 Crook et al. D6/549
D386,923 S * 12/1997 Moore D6/523
D388,272 S * 12/1997 Moore D6/549

D416,419 S * 11/1999 Chen D6/550
D423,854 S * 5/2000 Roth et al. D6/549
D424,344 S * 5/2000 Roth et al. D6/523
D438,040 S * 2/2001 Funk D6/524
D440,092 S * 4/2001 Fiegl et al. D6/549

* cited by examiner

Primary Examiner—Brian N. Vinson

(74) *Attorney, Agent, or Firm*—Myron B. Kapustij; Lloyd D. Doigan

(57) **CLAIM**

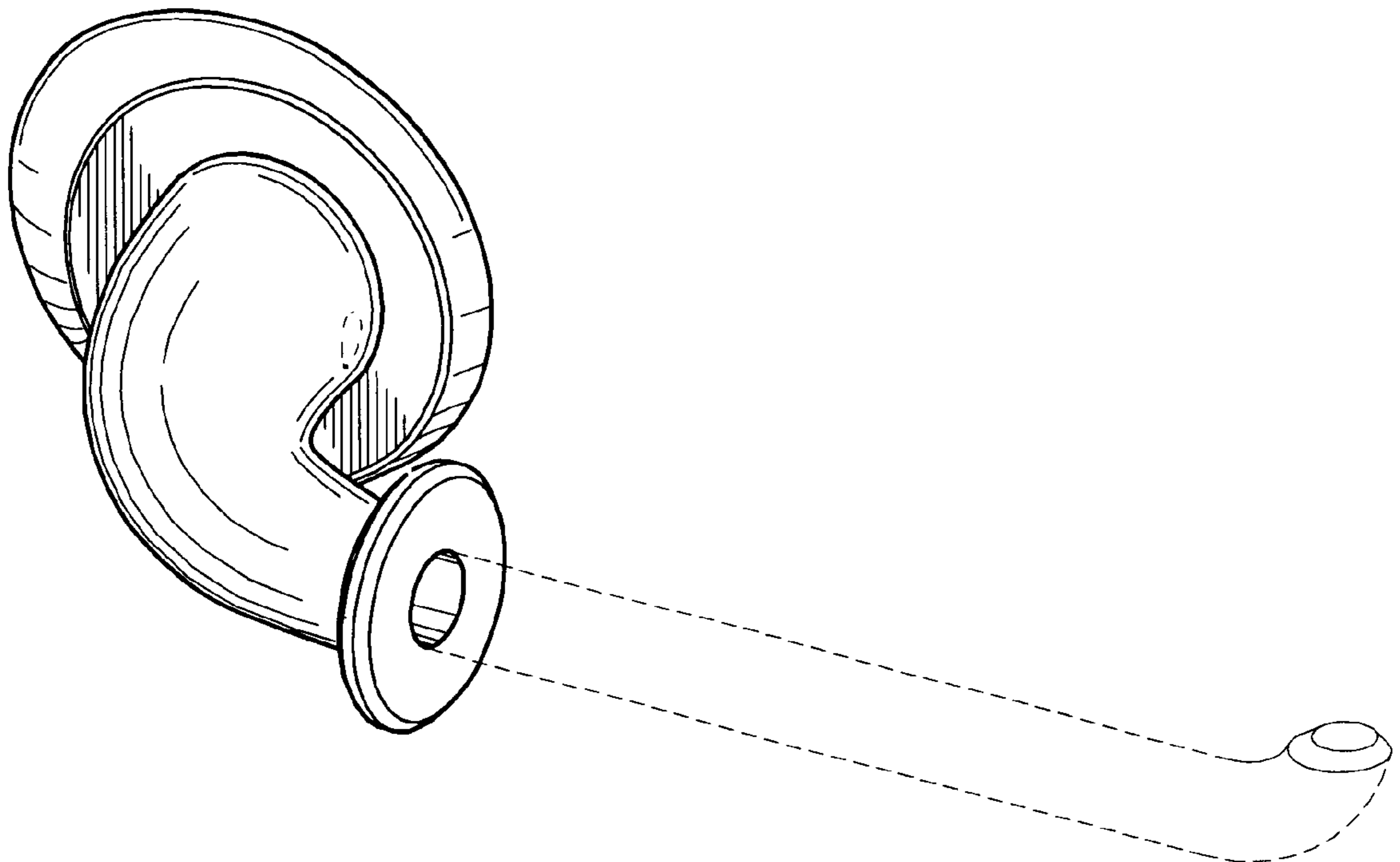
The ornamental design for a tissue roll holder, as shown and described.

DESCRIPTION

FIG. 1 is a top perspective view of a tissue roll holder showing our new design;
FIG. 2 is a front elevational view thereof;
FIG. 3 is a top plan view thereof;
FIG. 4 is a bottom plan view thereof;
FIG. 5 is a left side elevational view thereof;
FIG. 6 is a right side elevational view thereof; and,
FIG. 7 is a rear elevational view thereof.

The broken line showing of the cylindrical tissue holder bar in FIG. 1 and of the set screws in FIGS. 1, 6 and 7 are for purposes of illustration only and form no part of the claimed design.

1 Claim, 3 Drawing Sheets



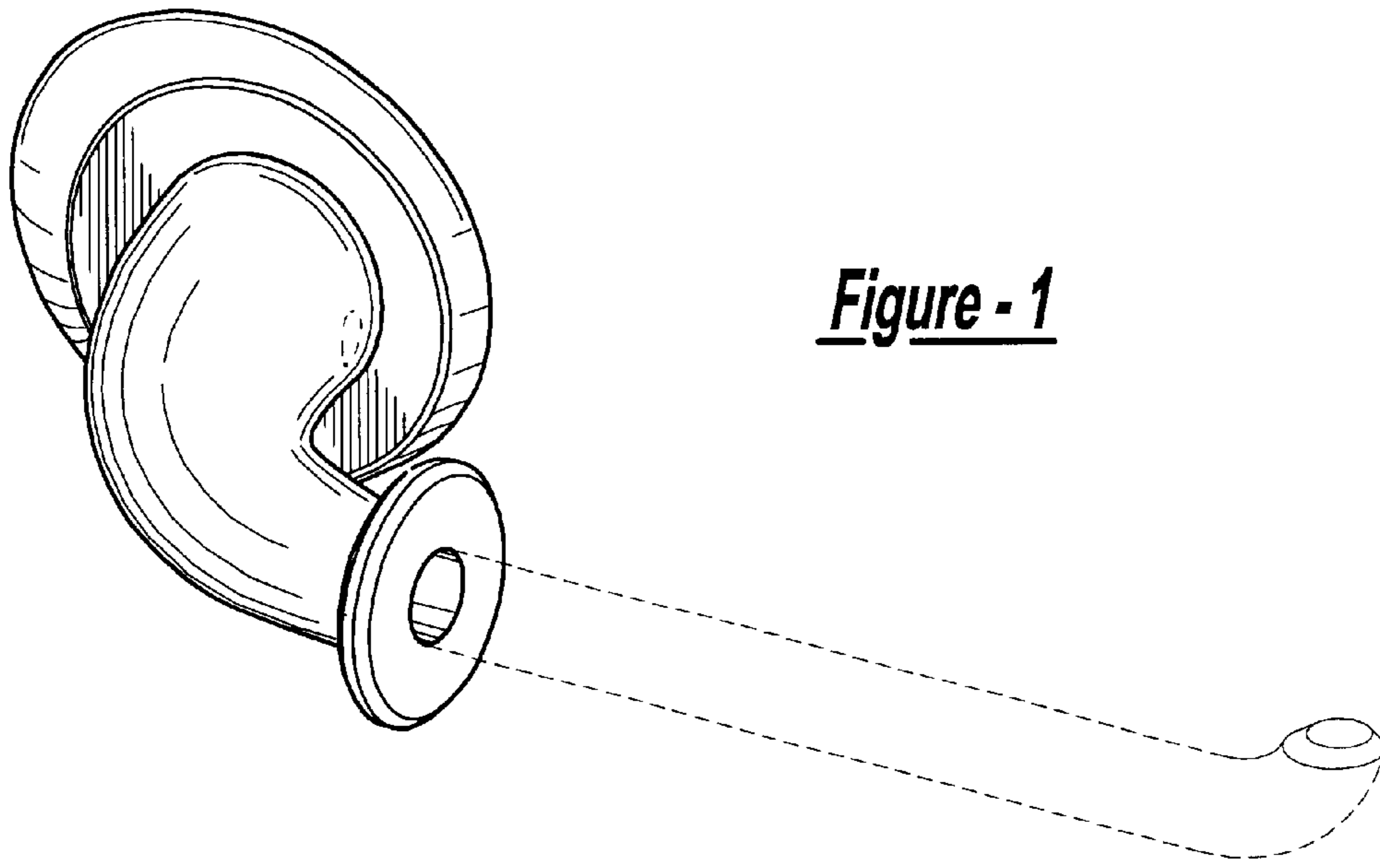


Figure - 1

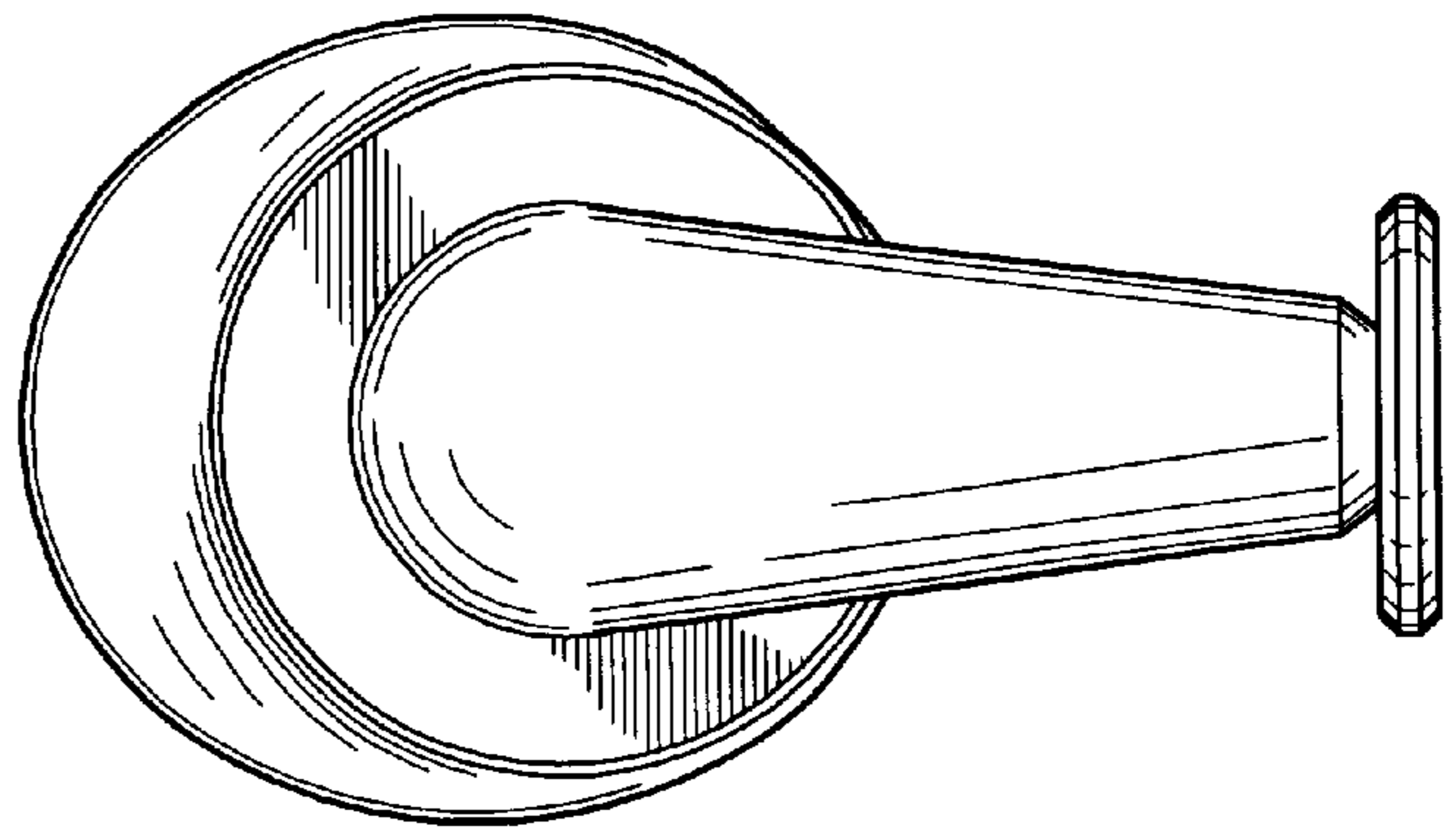


Figure - 2

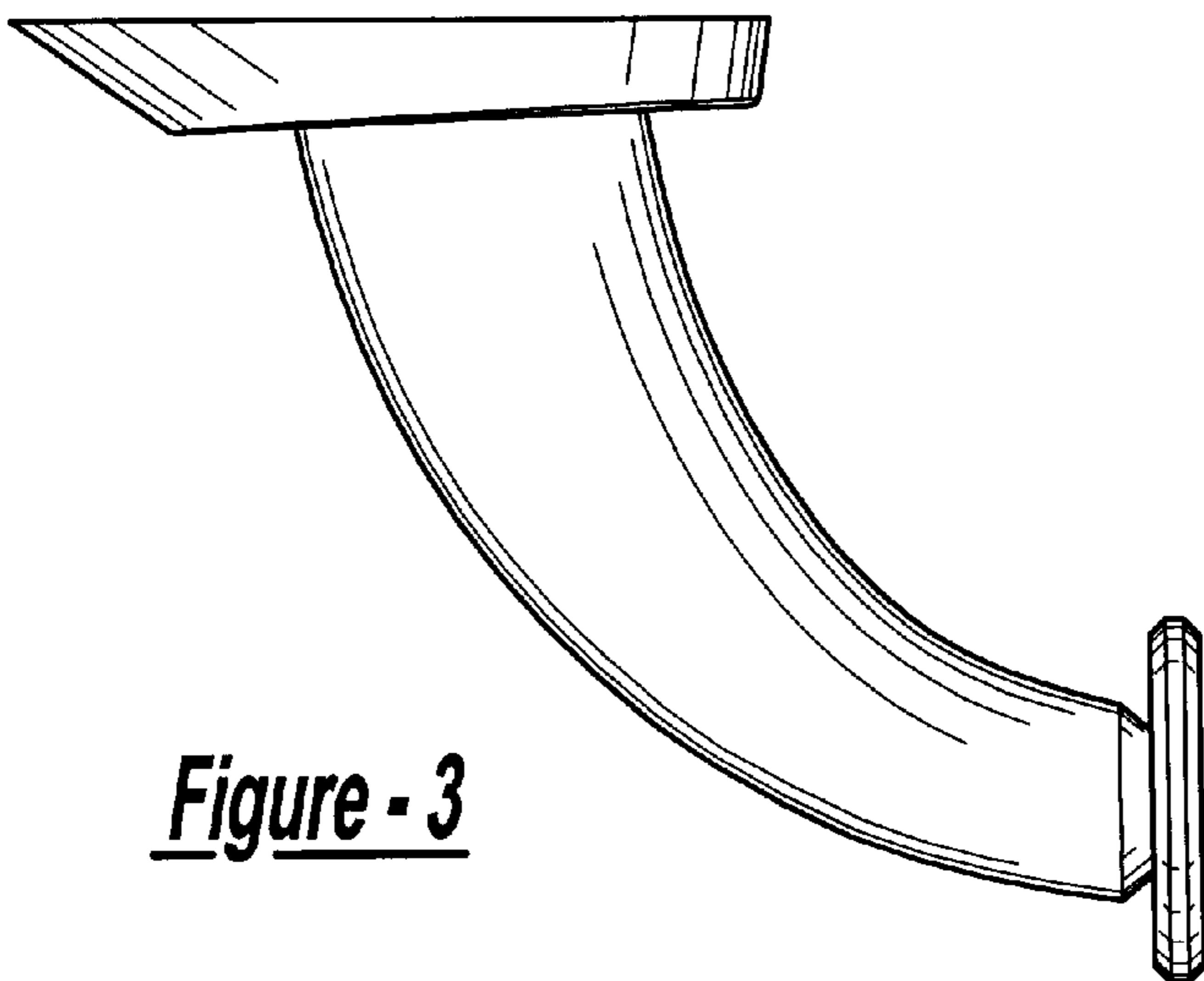


Figure - 3

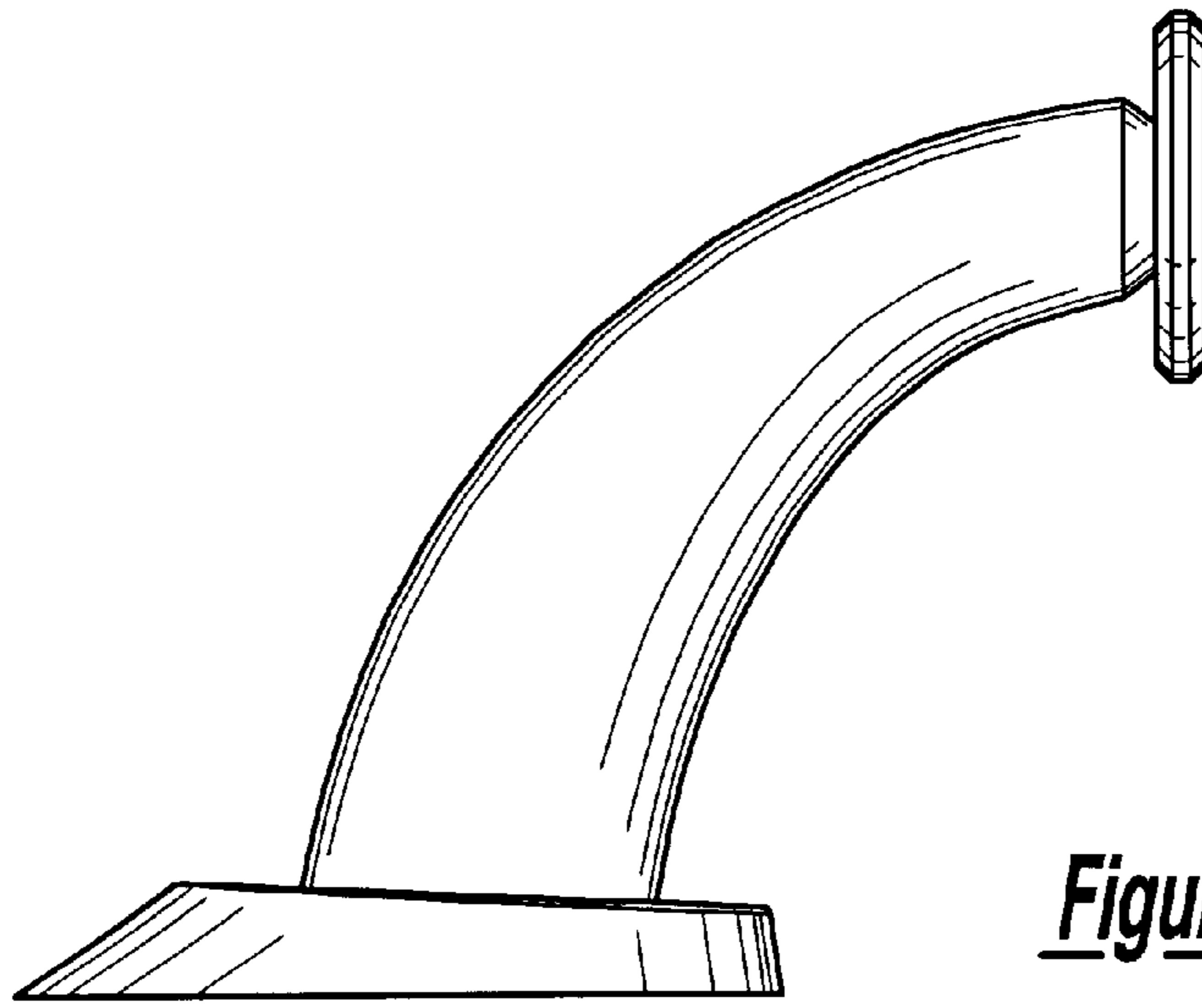


Figure - 4

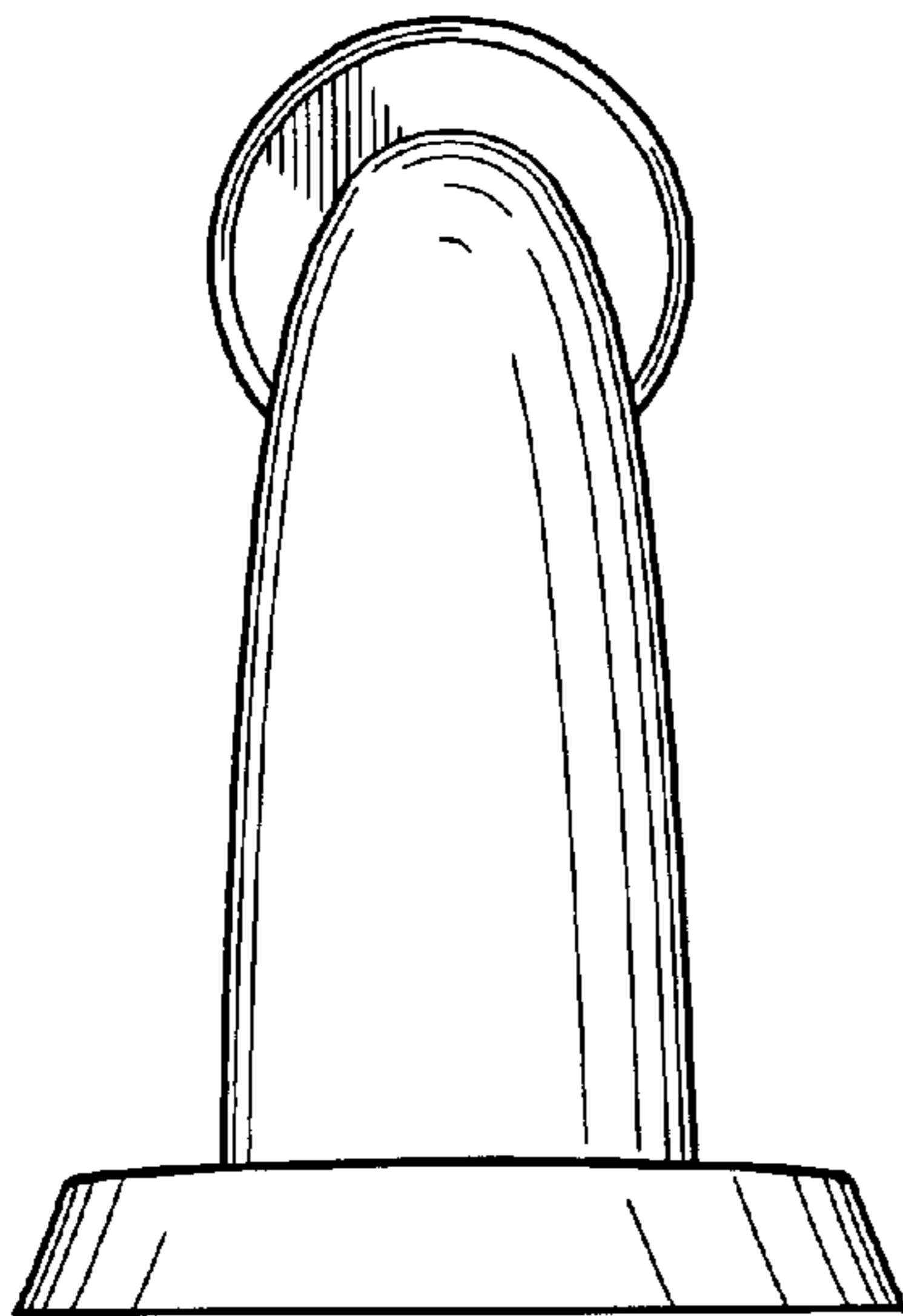


Figure - 5

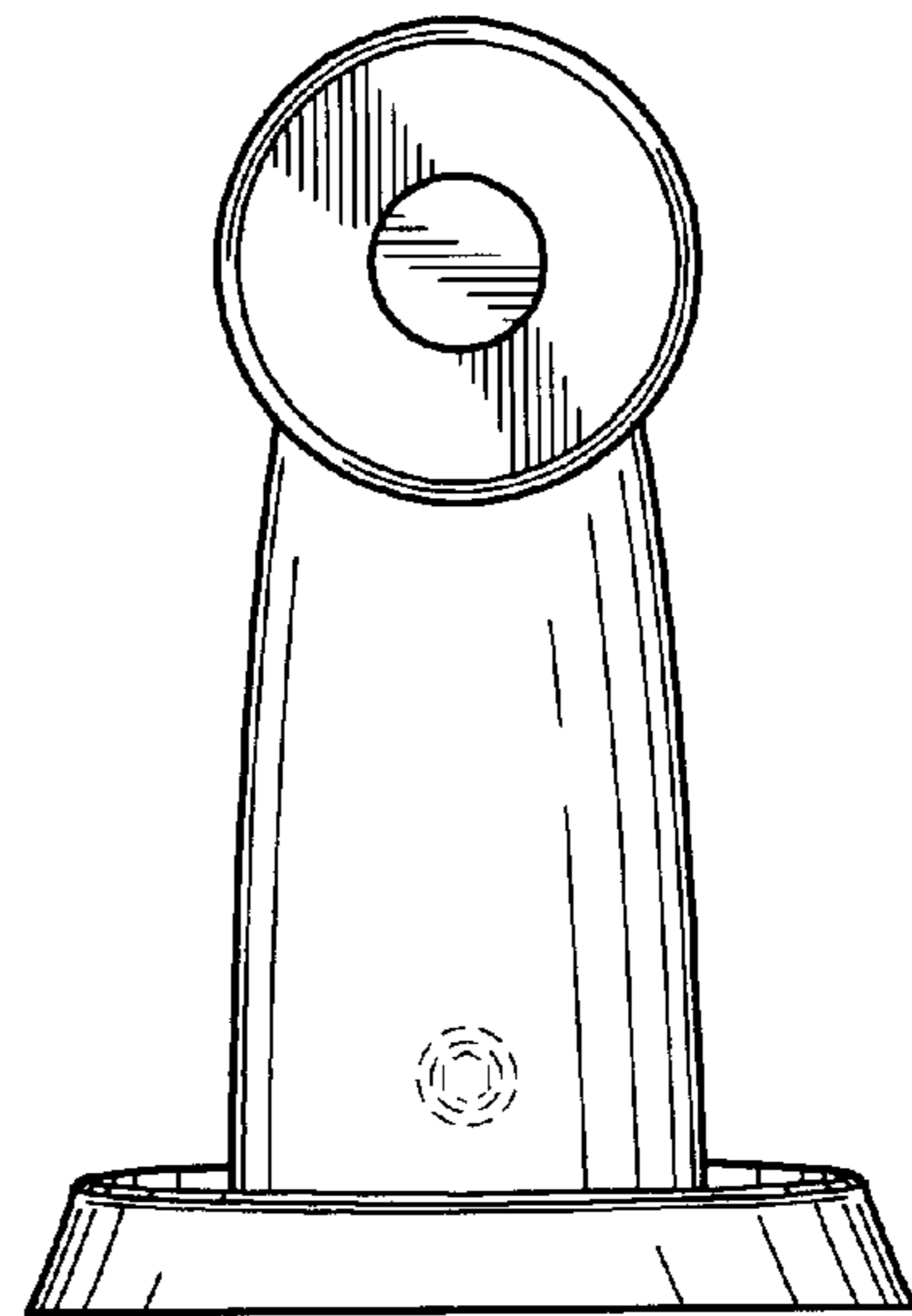


Figure - 6

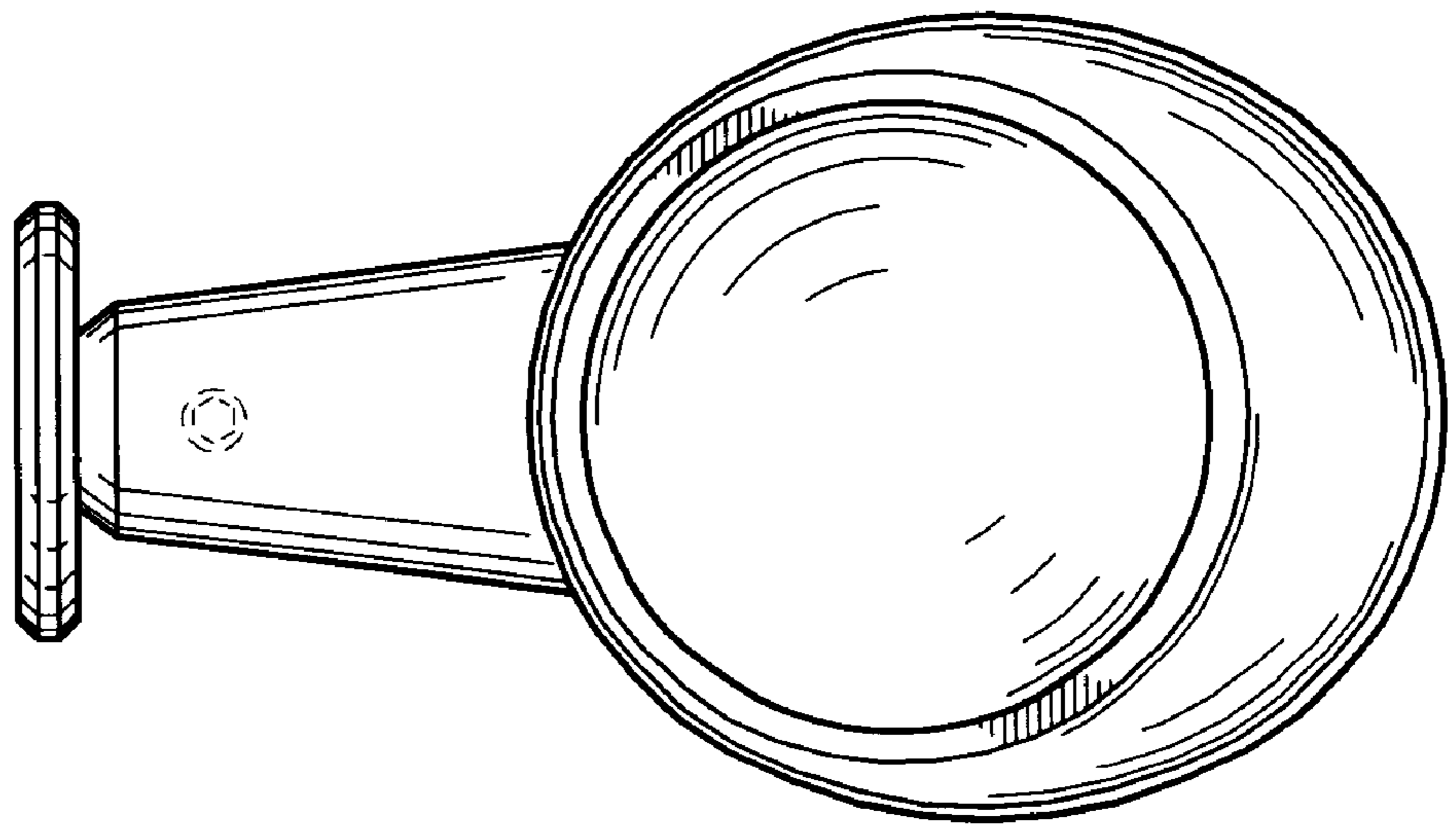


Figure - 7