



US00D454272S

(12) **United States Design Patent**
Petri

(10) **Patent No.:** **US D454,272 S**

(45) **Date of Patent:** **** Mar. 12, 2002**

(54) **DRAWER FRONT**

(75) Inventor: **Manfred Petri**, Marietta, GA (US)

(73) Assignee: **Tella Systems (1998), Inc.**

(**) Term: **14 Years**

(21) Appl. No.: **29/125,996**

(22) Filed: **Jul. 7, 2000**

(30) **Foreign Application Priority Data**

Feb. 15, 2000 (CA) 2000-0456

(51) **LOC (7) Cl.** **06-06**

(52) **U.S. Cl.** **D6/510**

(58) **Field of Search** D6/445, 446, 436,
D6/454, 469, 510, 560, 561, 573, 553,
555; D8/71; 211/13.1, 85.9, 70.6, 183;
312/213

(56) **References Cited**

U.S. PATENT DOCUMENTS

| | | | | |
|---------------|---------|---------------------|-------|---------|
| 2,667,398 A * | 1/1954 | Claffin | | 312/213 |
| D176,828 S * | 1/1956 | Smith | | D6/469 |
| 2,736,627 A * | 2/1956 | Horn | | 312/213 |
| 3,476,455 A * | 11/1969 | Barecki et al. | | 312/213 |
| 4,305,630 A * | 12/1981 | Mentilkowski et al. | | 312/213 |
| D269,310 S * | 6/1983 | Wells | | D6/553 |
| 4,420,084 A * | 12/1983 | Whelan | | 206/566 |
| 4,480,755 A * | 11/1984 | Cartwright | | 312/213 |
| D281,558 S * | 12/1985 | Cartwright | | D6/469 |

| | | | | |
|---------------|---------|-------------------|-------|-----------|
| D316,197 S * | 4/1991 | Baker | | D6/469 |
| D318,965 S * | 8/1991 | Bradwell et al. | | D6/469 |
| D320,719 S * | 10/1991 | Kolsrud et al. | | D6/553 |
| 5,087,105 A * | 2/1992 | White | | 312/245 |
| D327,187 S * | 6/1992 | Swon | | D6/553 |
| D334,672 S * | 4/1993 | Bradwell et al. | | D6/469 |
| D382,731 S * | 8/1997 | Martin | | D6/469 |
| 5,671,849 A * | 9/1997 | Bacon | | 206/6.1 |
| D404,945 S * | 2/1999 | Simpkins et al. | | D6/510 |
| 5,902,026 A * | 5/1999 | Swan et al. | | 312/138.1 |
| D417,571 S * | 12/1999 | Teufel et al. | | D6/510 |
| D431,394 S * | 10/2000 | Ciavarella et al. | | D6/454 |
| D438,741 S * | 3/2001 | Murphy | | D6/553 |

* cited by examiner

Primary Examiner—Cathron C. Brooks

(74) *Attorney, Agent, or Firm*—Finnegan, Henderson, Farabow, Garrett, and Dunner, L.L.P.

(57) **CLAIM**

The ornamental design for a drawer front, as shown and described.

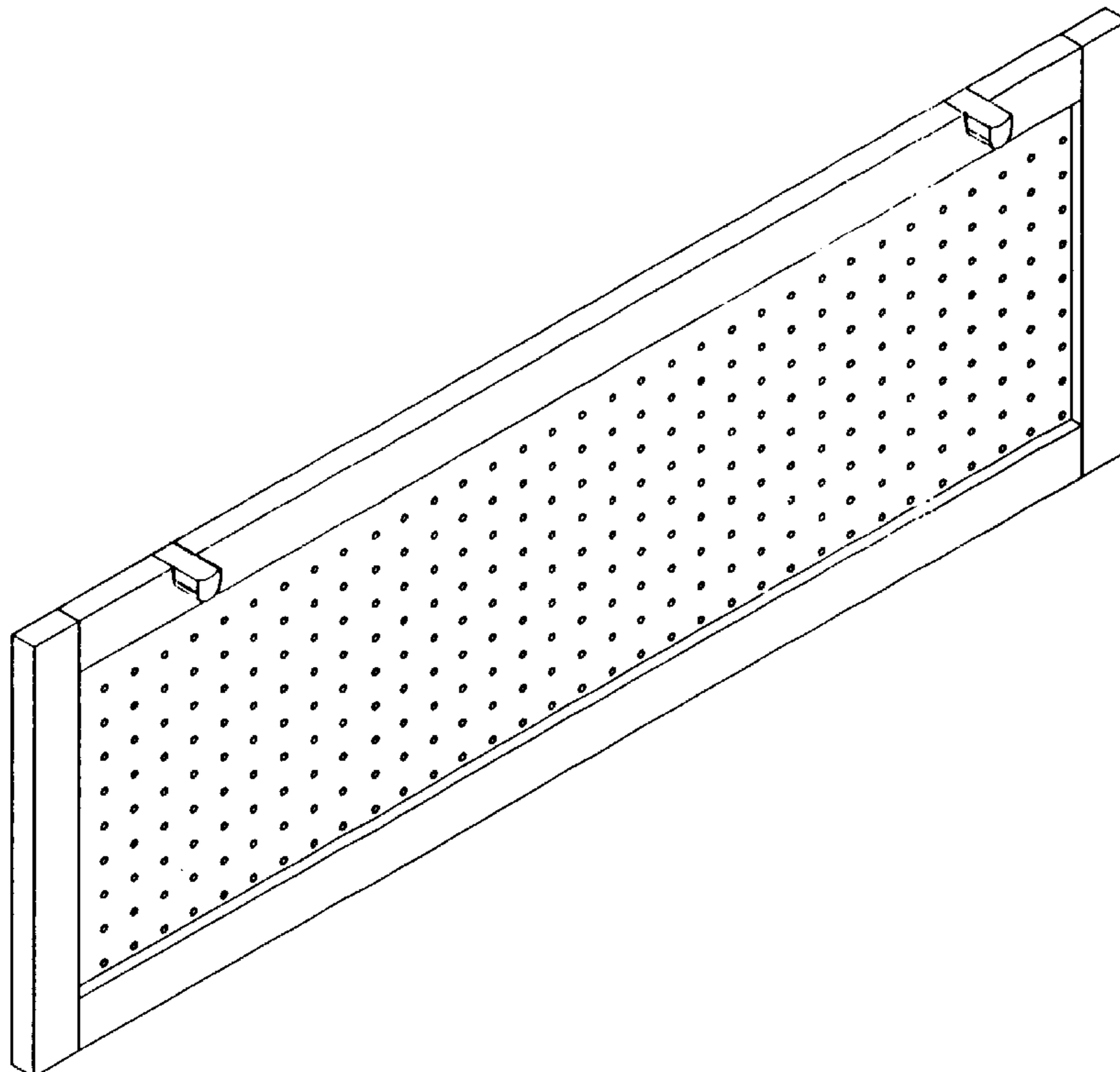
DESCRIPTION

FIG. 1 is an isometric view of the drawer front of the present invention as a whole.

FIG. 2 is a front view of the drawer front of the present invention; and,

FIG. 3 is a vertical section view of the drawer face shown in FIG. 2.

1 Claim, 3 Drawing Sheets



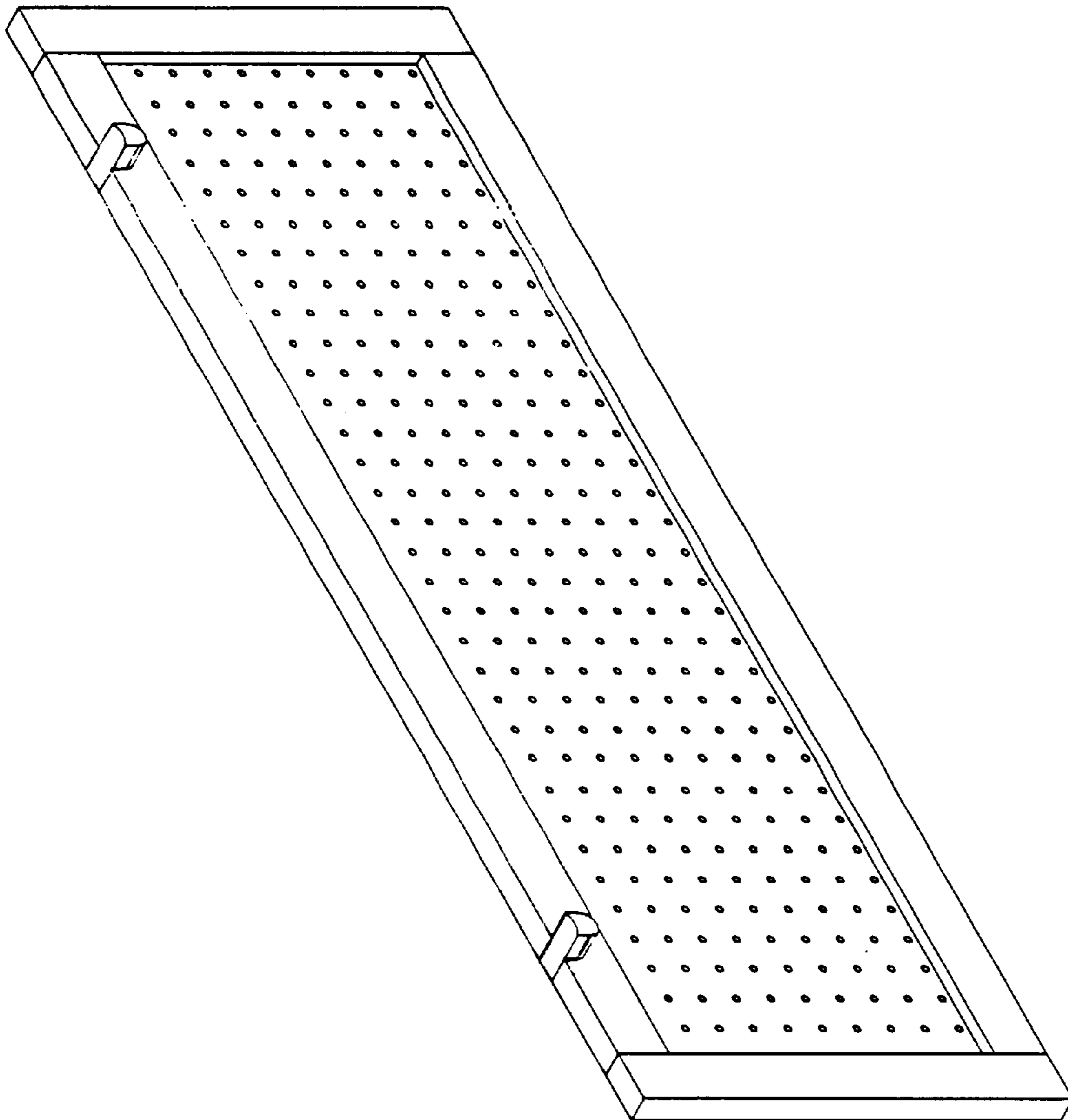


FIGURE 1

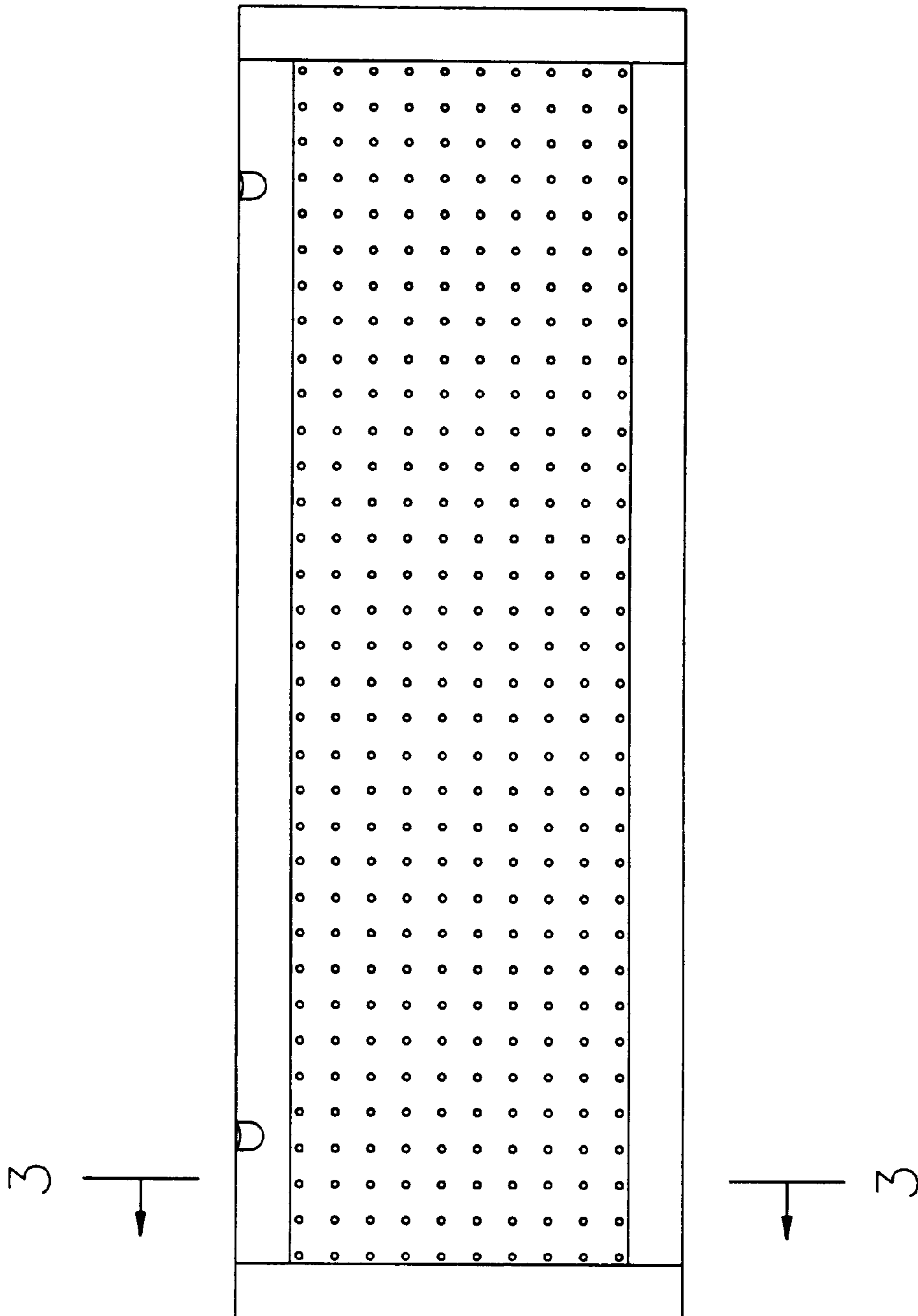


FIGURE 2

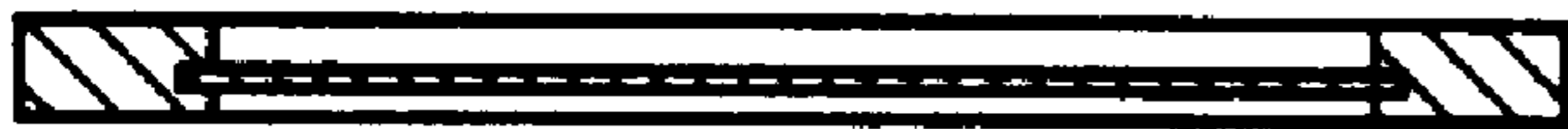


FIGURE 3