



US00D454270S

(12) **United States Design Patent**
Schultz et al.

(10) **Patent No.:** **US D454,270 S**

(45) **Date of Patent:** **** Mar. 12, 2002**

(54) **CHAIR ARM**

(75) Inventors: **Craig H. Schultz; Douglas A. Schroeder**, both of Muscatine, IA (US)

(73) Assignee: **HON Technology Inc.**, Muscatine, IA (US)

(**) Term: **14 Years**

(21) Appl. No.: **29/138,209**

(22) Filed: **Mar. 8, 2001**

(51) **LOC (7) Cl.** **06-06**

(52) **U.S. Cl.** **D6/501; D6/366**

(58) **Field of Search** D6/334, 364, 365,
D6/366, 367, 379, 500, 501, 502; 297/411.2,
411.27

(56) **References Cited**

U.S. PATENT DOCUMENTS

D326,783 S	*	6/1992	Piretti	D6/366
D391,089 S	*	2/1998	Chu	D6/366
D393,765 S	*	4/1998	Chu	D6/501
D446,061 S	*	8/2001	Su	D6/501

* cited by examiner

Primary Examiner—Gary D. Watson

(74) *Attorney, Agent, or Firm*—Jones, Day, Reavis & Pogue

(57) **CLAIM**

The ornamental design for a chair arm, as shown and described.

DESCRIPTION

FIG. 1 is a right front perspective view of a chair arm showing my new design;

FIG. 2 is a left rear perspective view thereof;

FIG. 3 is a right rear perspective view thereof;

FIG. 4 is a left front perspective view thereof;

FIG. 5 is a top view thereof;

FIG. 6 is a front view thereof;

FIG. 7 is a right side view thereof;

FIG. 8 is a left side view thereof;

FIG. 9 is a rear view thereof; and,

FIG. 10 is a bottom view thereof.

The broken line showing is for environmental purposes only and does not form a part of the design.

1 Claim, 5 Drawing Sheets

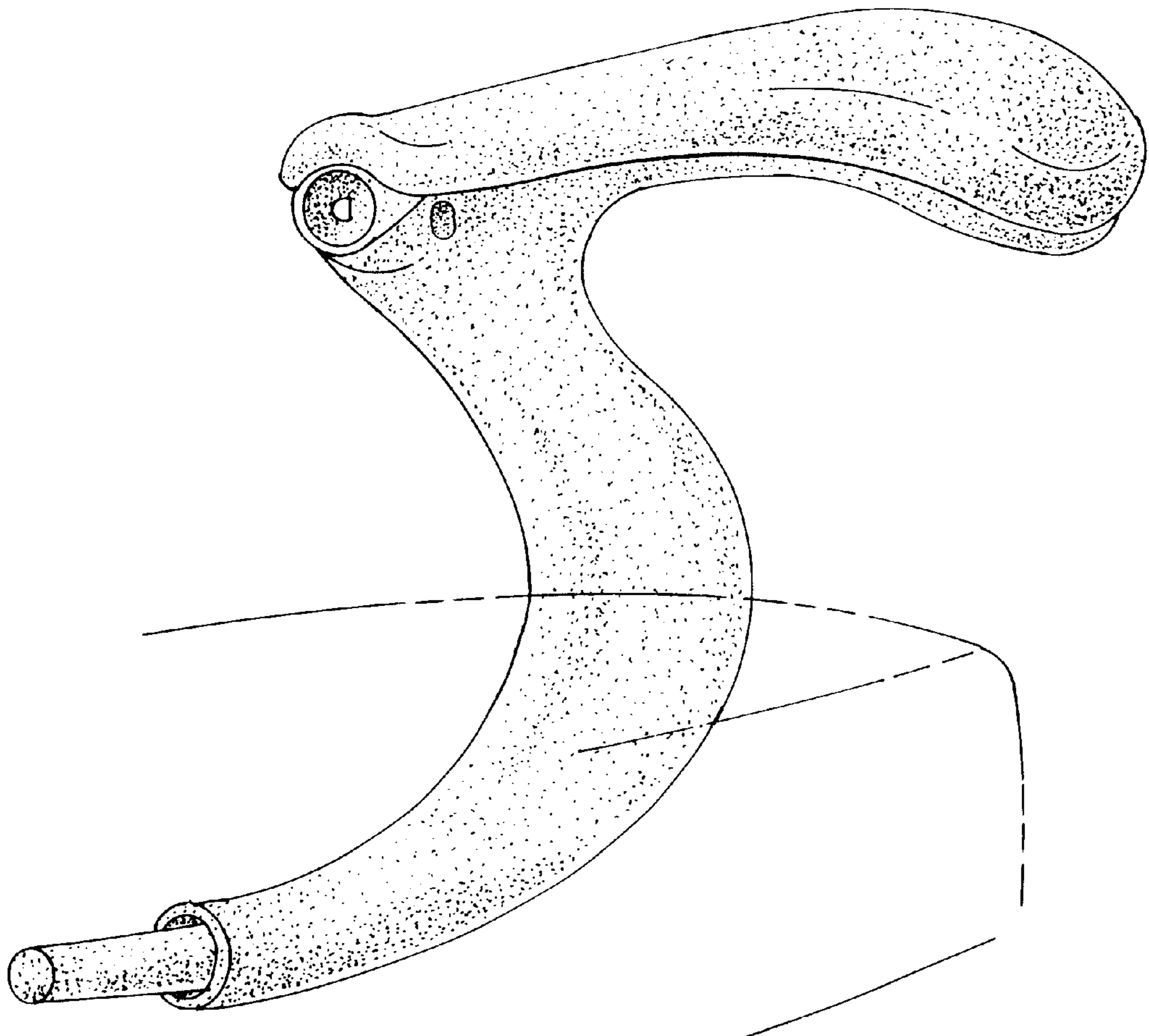


FIG. 1

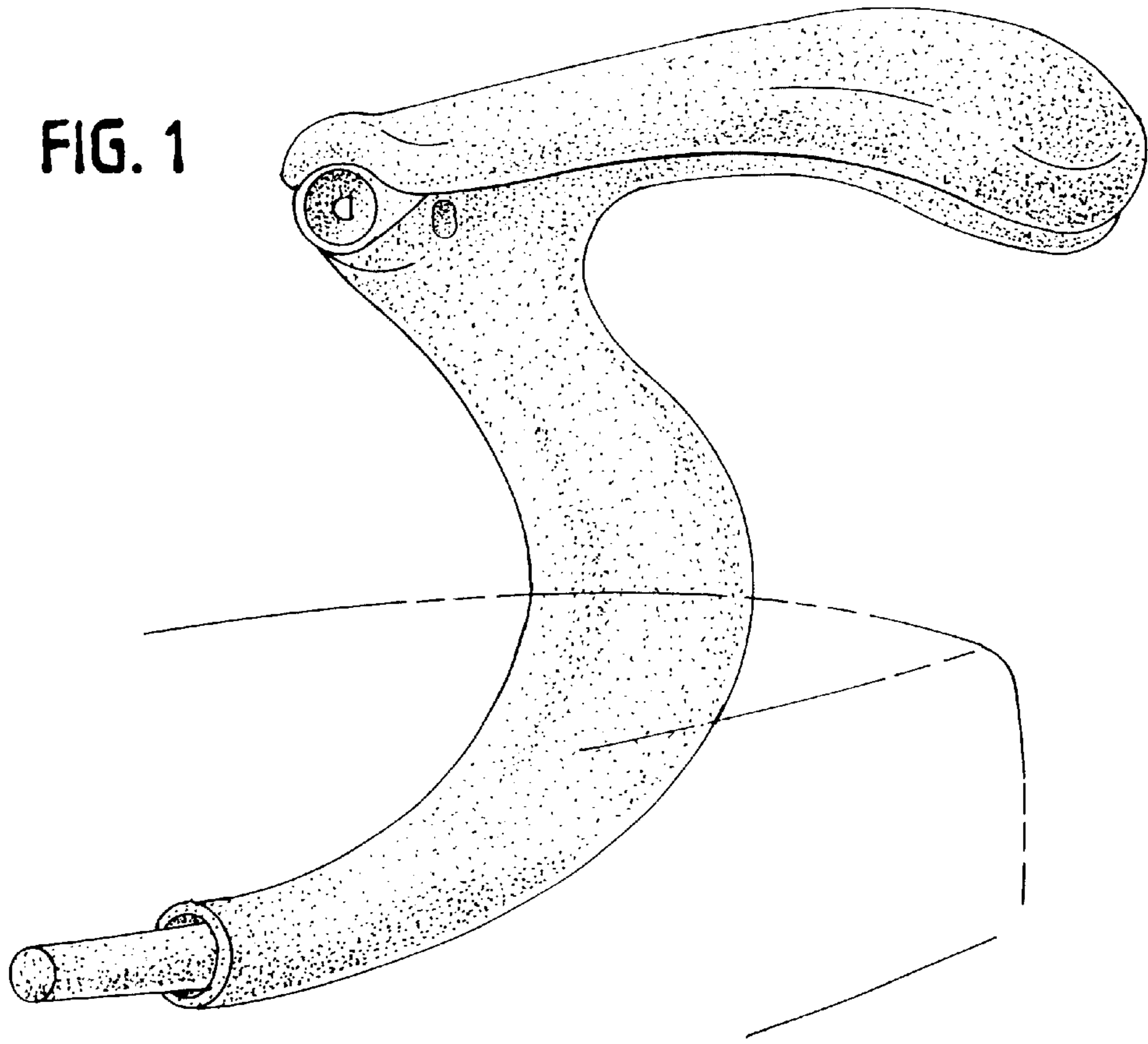


FIG. 2

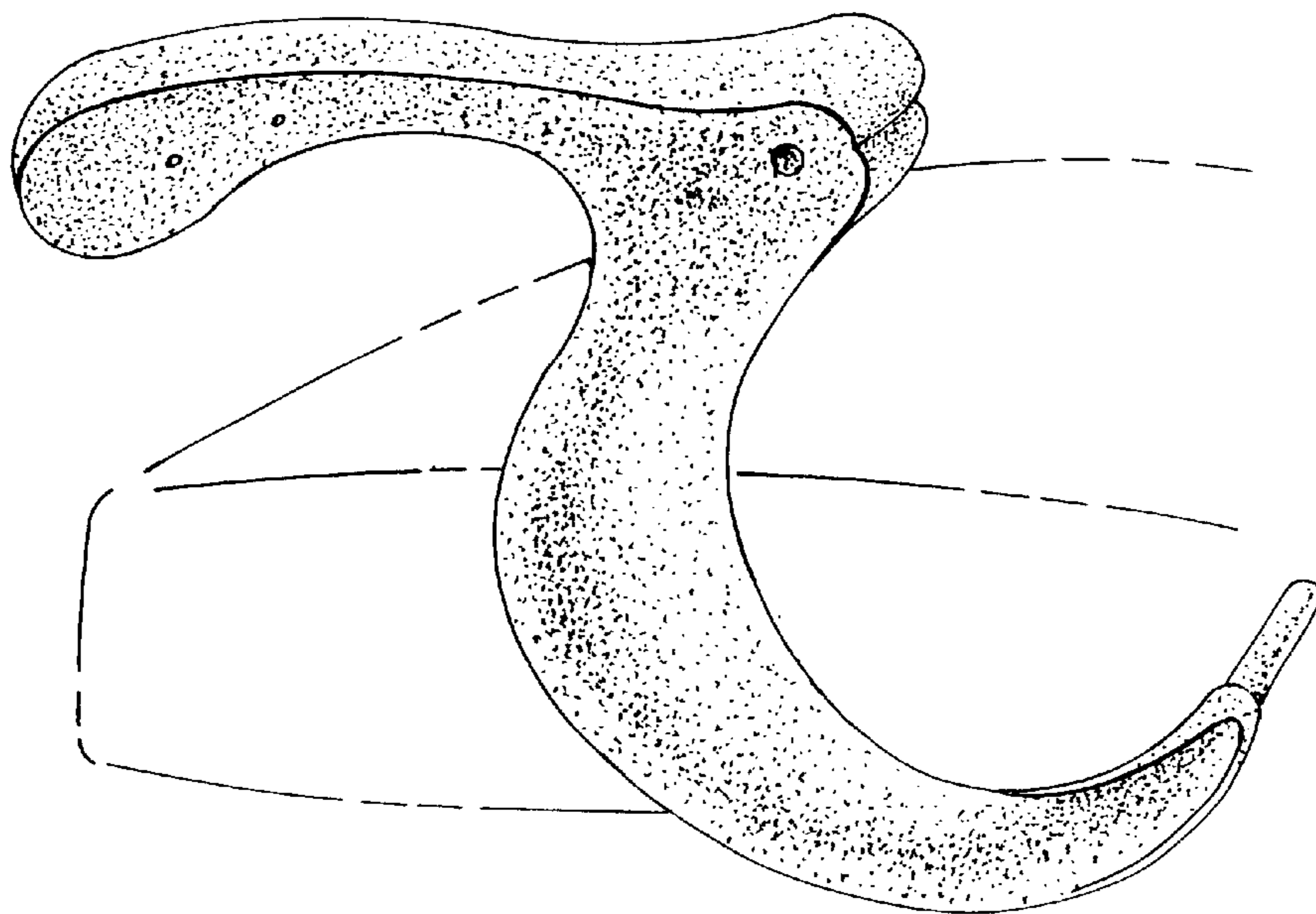


FIG. 3

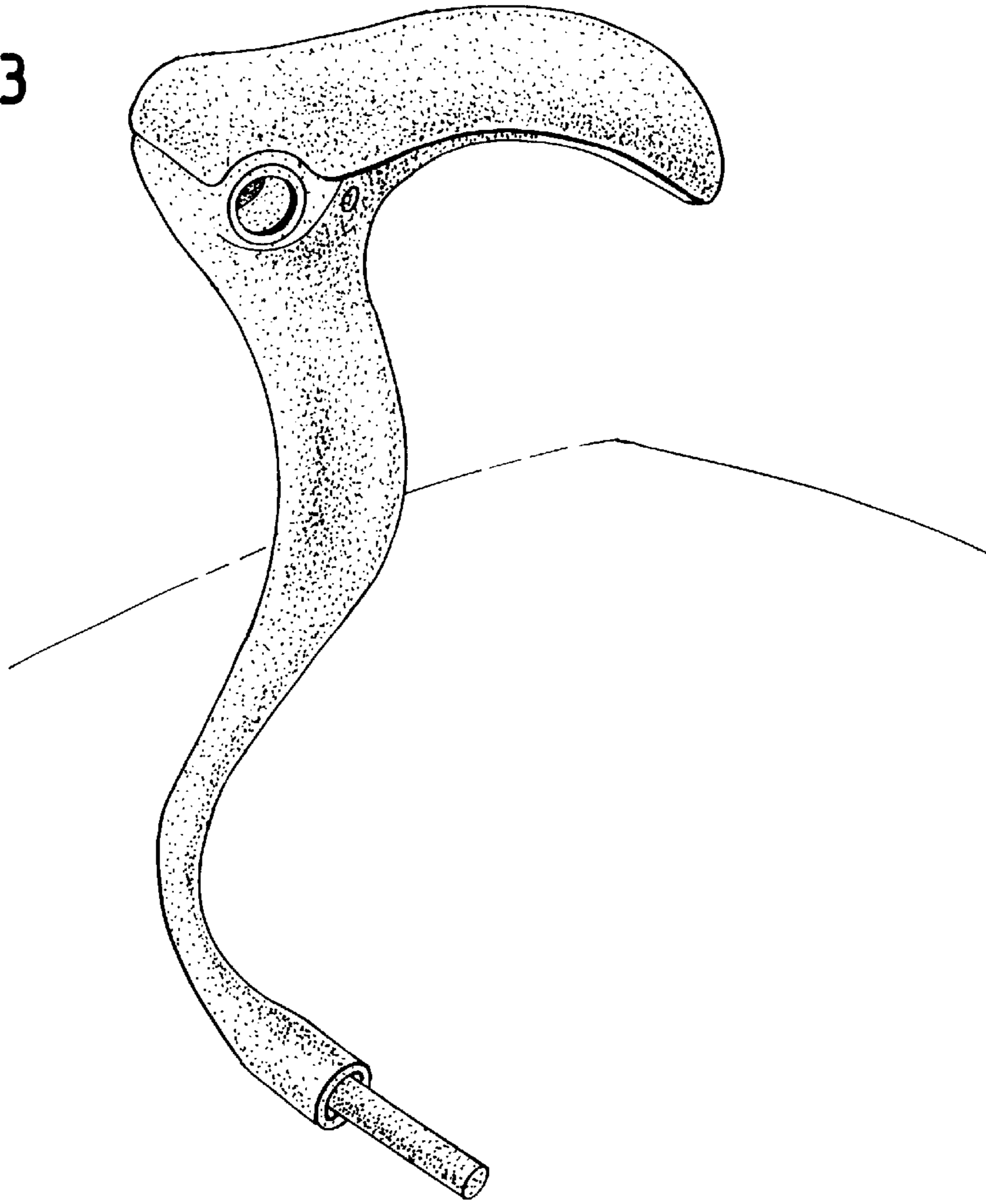


FIG. 4

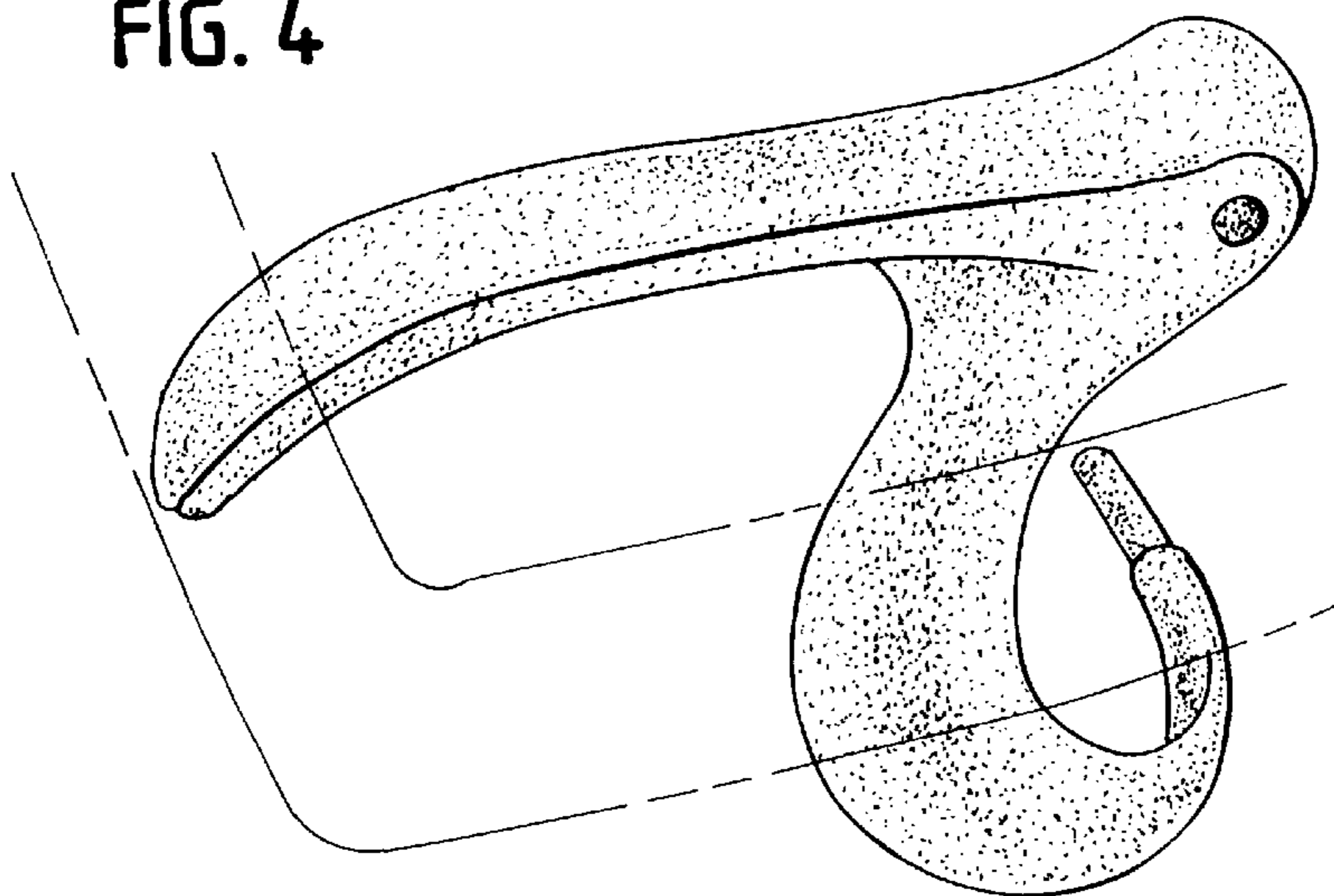


FIG. 5

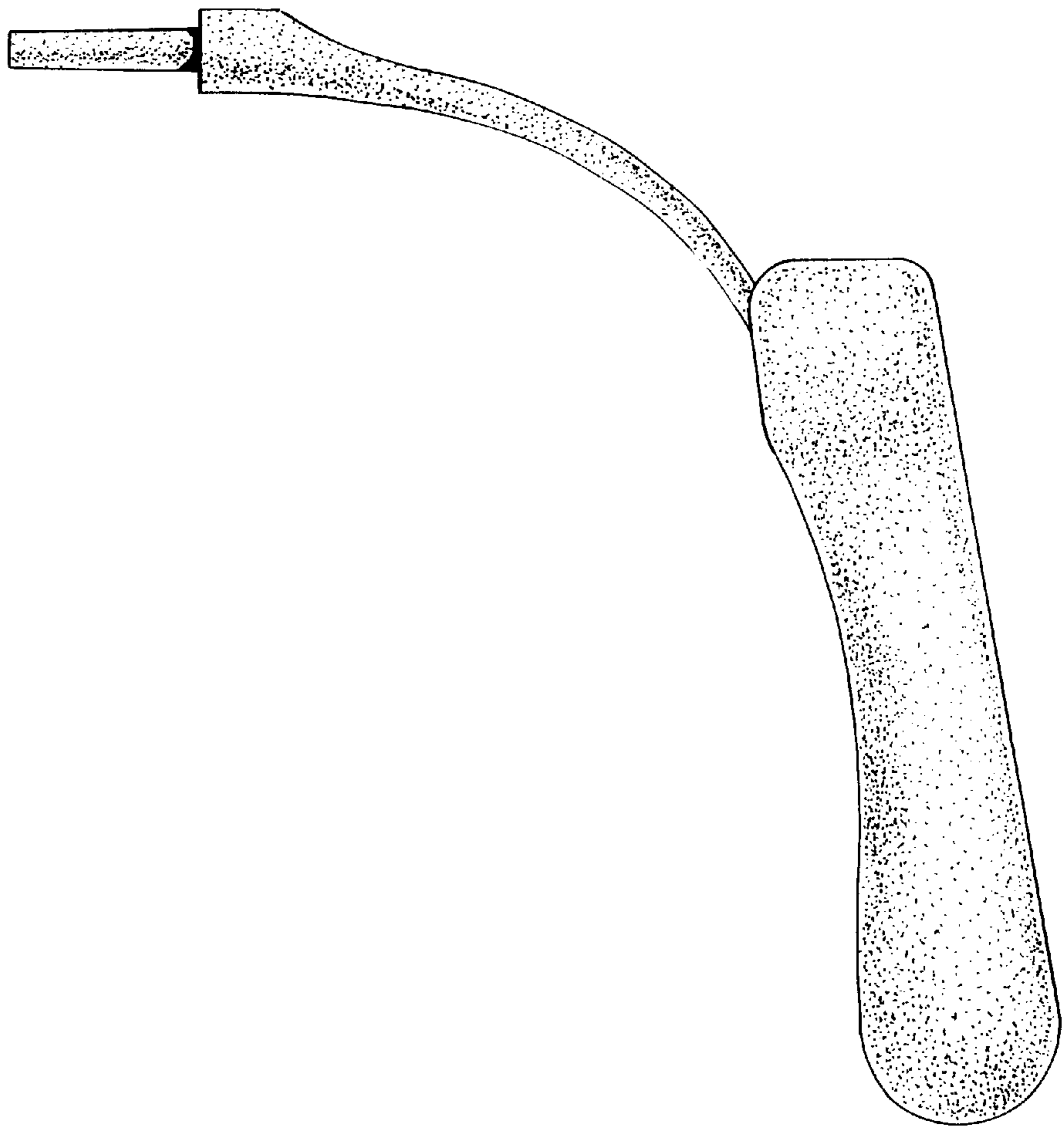


FIG. 6

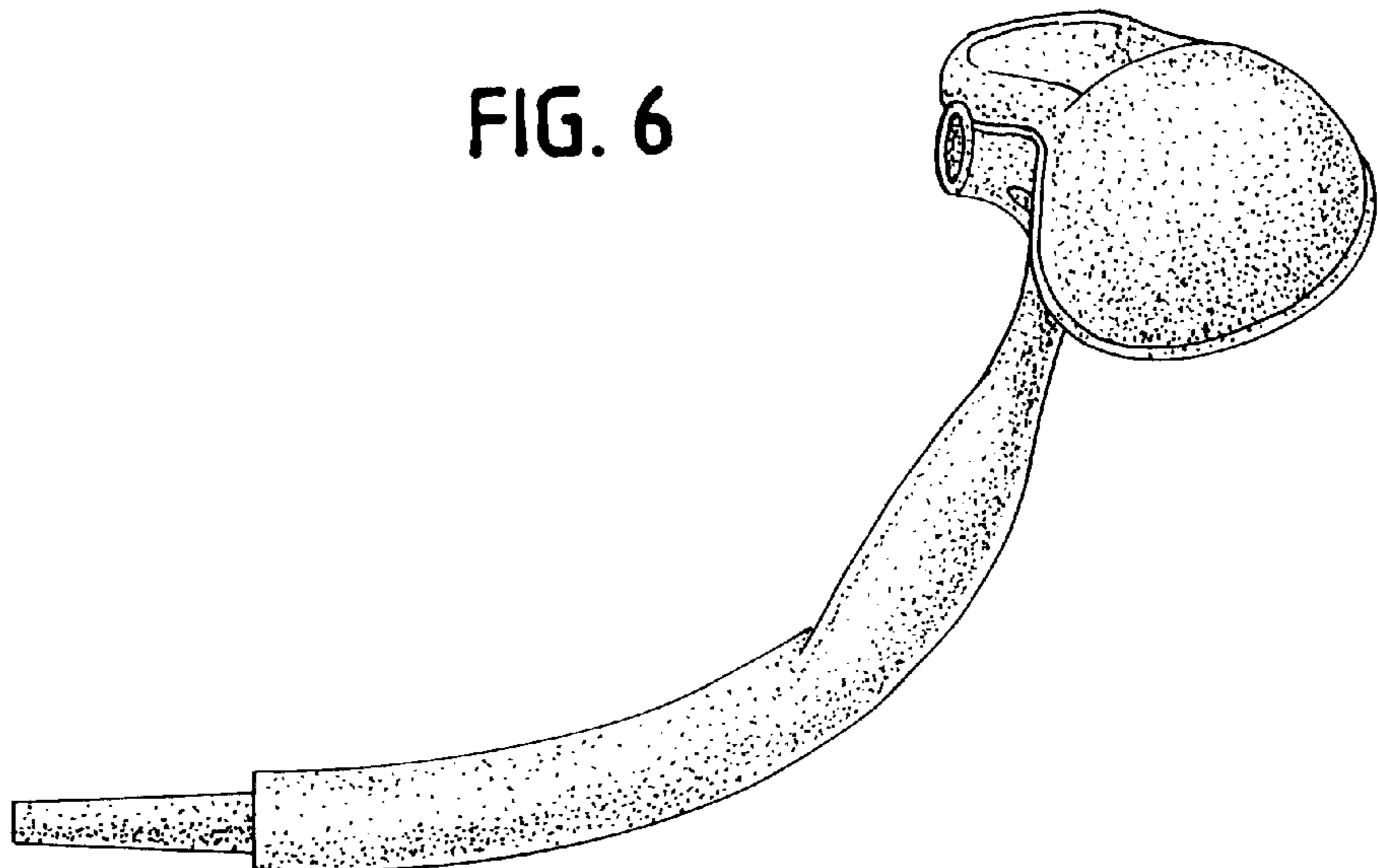


FIG. 7

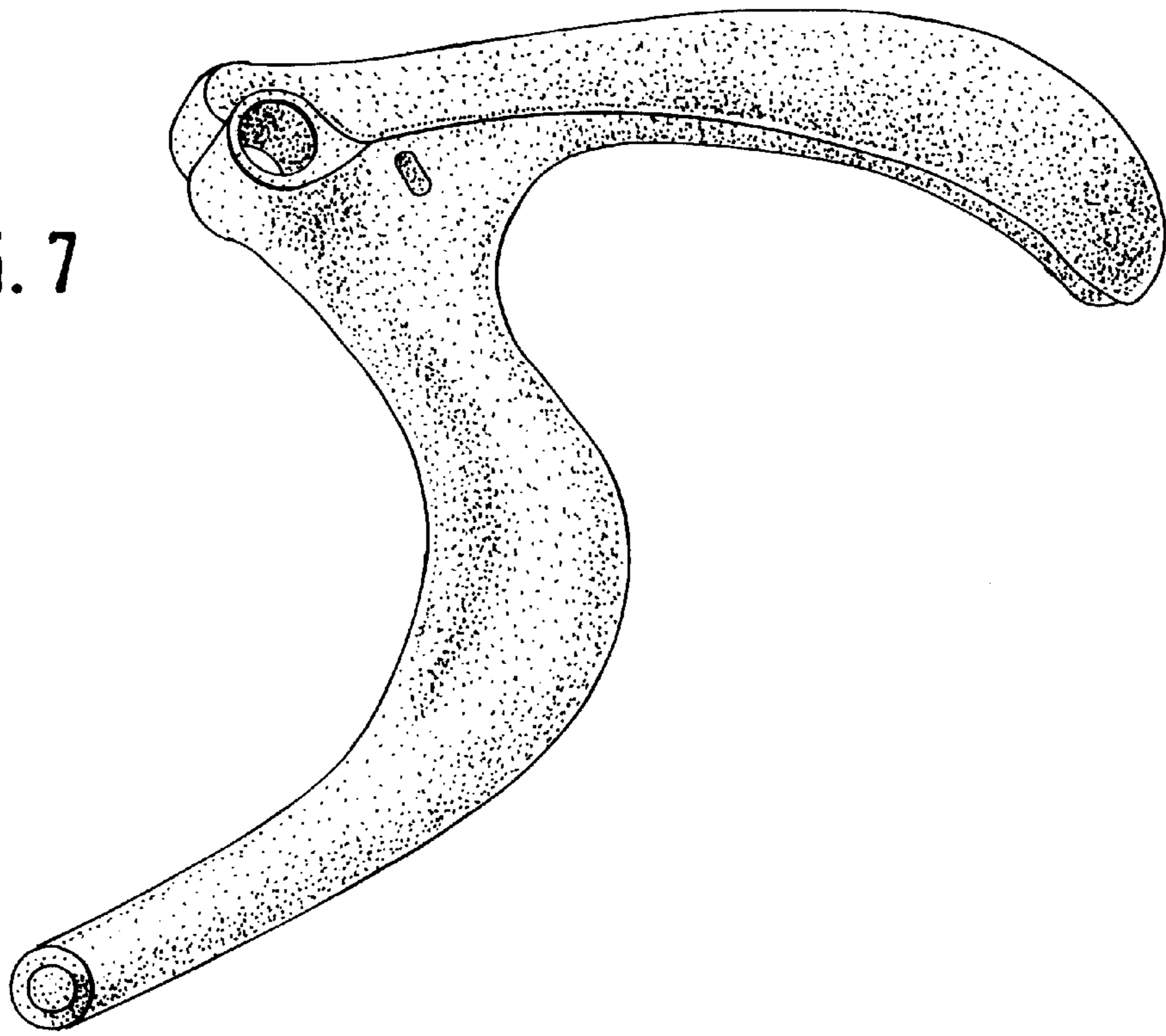


FIG. 8

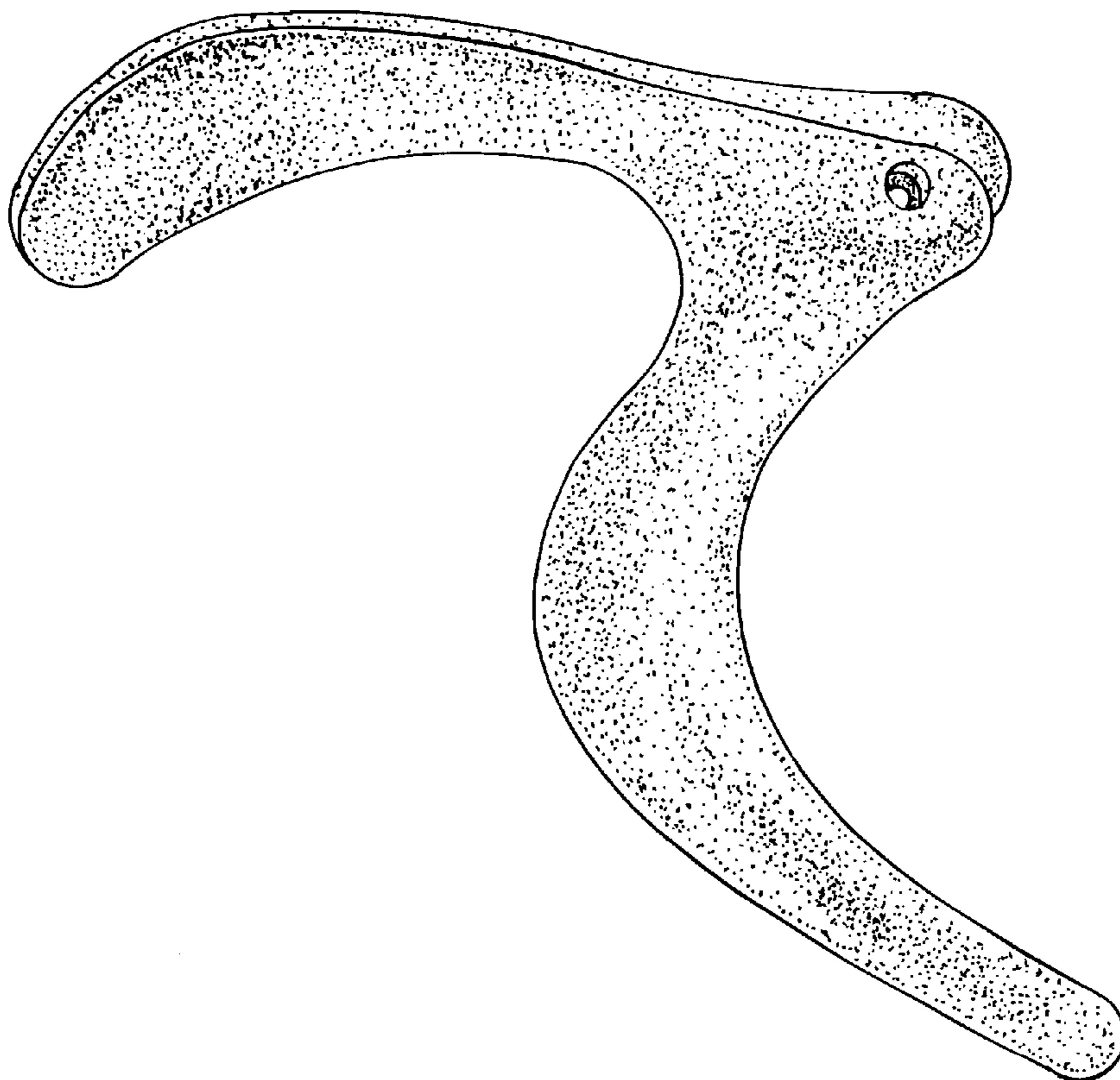


FIG. 9

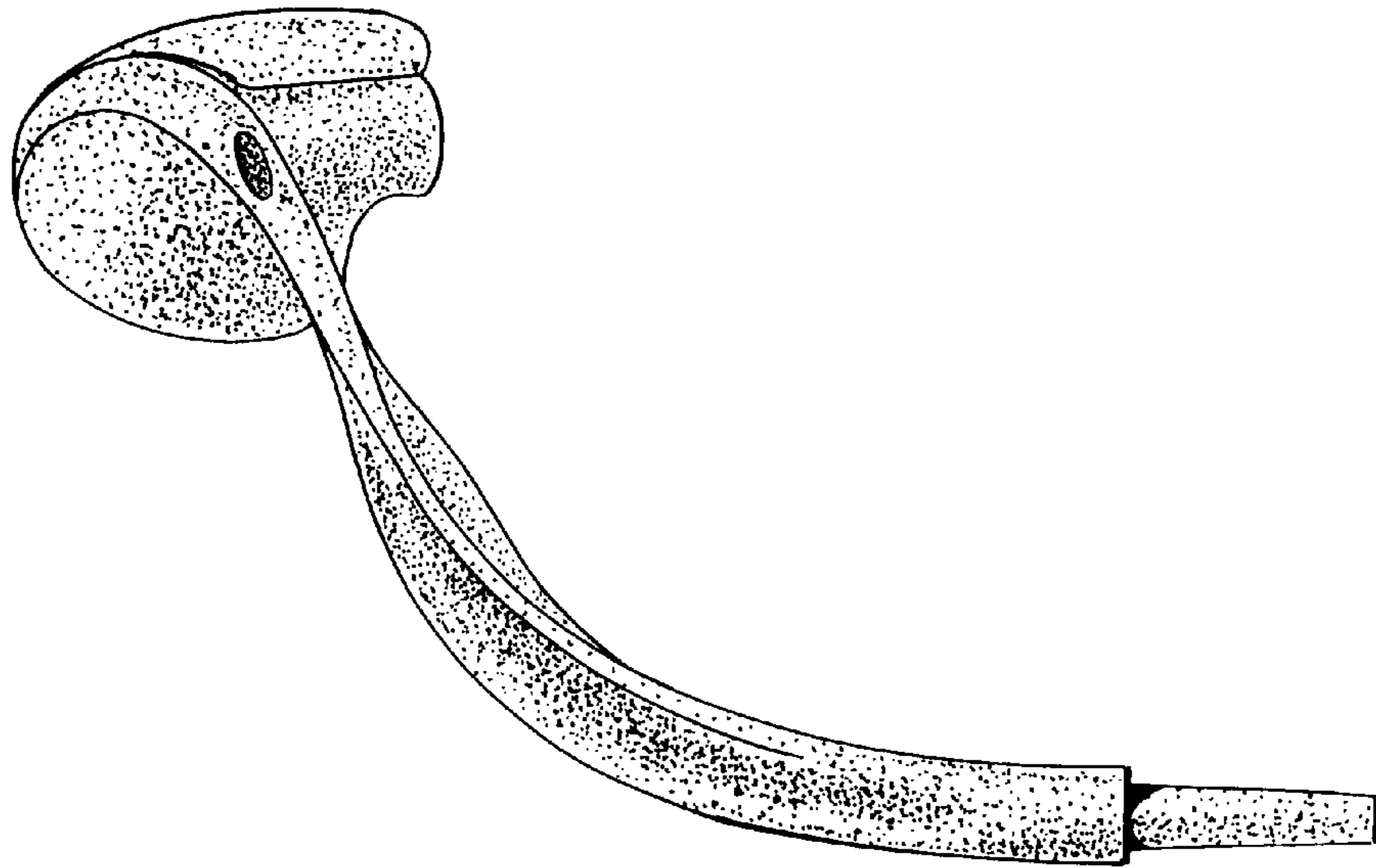


FIG. 10

