

US00D454269S

(12) **United States Design Patent**  
**Przekop**

(10) **Patent No.:** **US D454,269 S**

(45) **Date of Patent:** **\*\* Mar. 12, 2002**

(54) **COMPUTER LOVESEAT**

4,730,873 A \* 3/1988 Janz ..... 297/232  
6,123,388 A \* 9/2000 Vits et al. .... 297/232

(76) Inventor: **David Przekop**, 3245 Darlington Rd.,  
Holiday, FL (US) 34691

\* cited by examiner

(\*\*) Term: **14 Years**

*Primary Examiner*—Doris V. Coles

*Assistant Examiner*—Mimosa De

(21) Appl. No.: **29/139,937**

(74) *Attorney, Agent, or Firm*—Dennis G. LaPointe; Mason  
& Associates, PA

(22) Filed: **Apr. 9, 2001**

(57) **CLAIM**

**Related U.S. Application Data**

The ornamental design for computer loveseat, as shown and  
described.

(62) Division of application No. 29/128,386, filed on Aug. 23,  
2000, now Pat. No. Des. 443,428.

**DESCRIPTION**

(51) **LOC (7) Cl.** ..... **06-06**

FIG. 1 is a front view of a computer loveseat, showing my  
new design;

(52) **U.S. Cl.** ..... **D6/500**

FIG. 2 is a back view of the design of FIG. 1;

(58) **Field of Search** ..... D6/334, 335, 336,

FIG. 3 is a left side view of the design of FIG. 1;

D6/364, 365, 367, 374, 375, 379, 381,

FIG. 4 is a right side view of the design of FIG. 1;

500–502; 297/411.2, 411.25, 411.44, 411.27,

FIG. 5 is a top plan view of the design of FIG. 1; and,

411.28, 232, 233

FIG. 6 is a bottom view of the design of FIG. 1.

(56) **References Cited**

The broken line showing of legs in FIGS. 1–6 is for  
illustrative purposes only and forms no part of the claimed  
design.

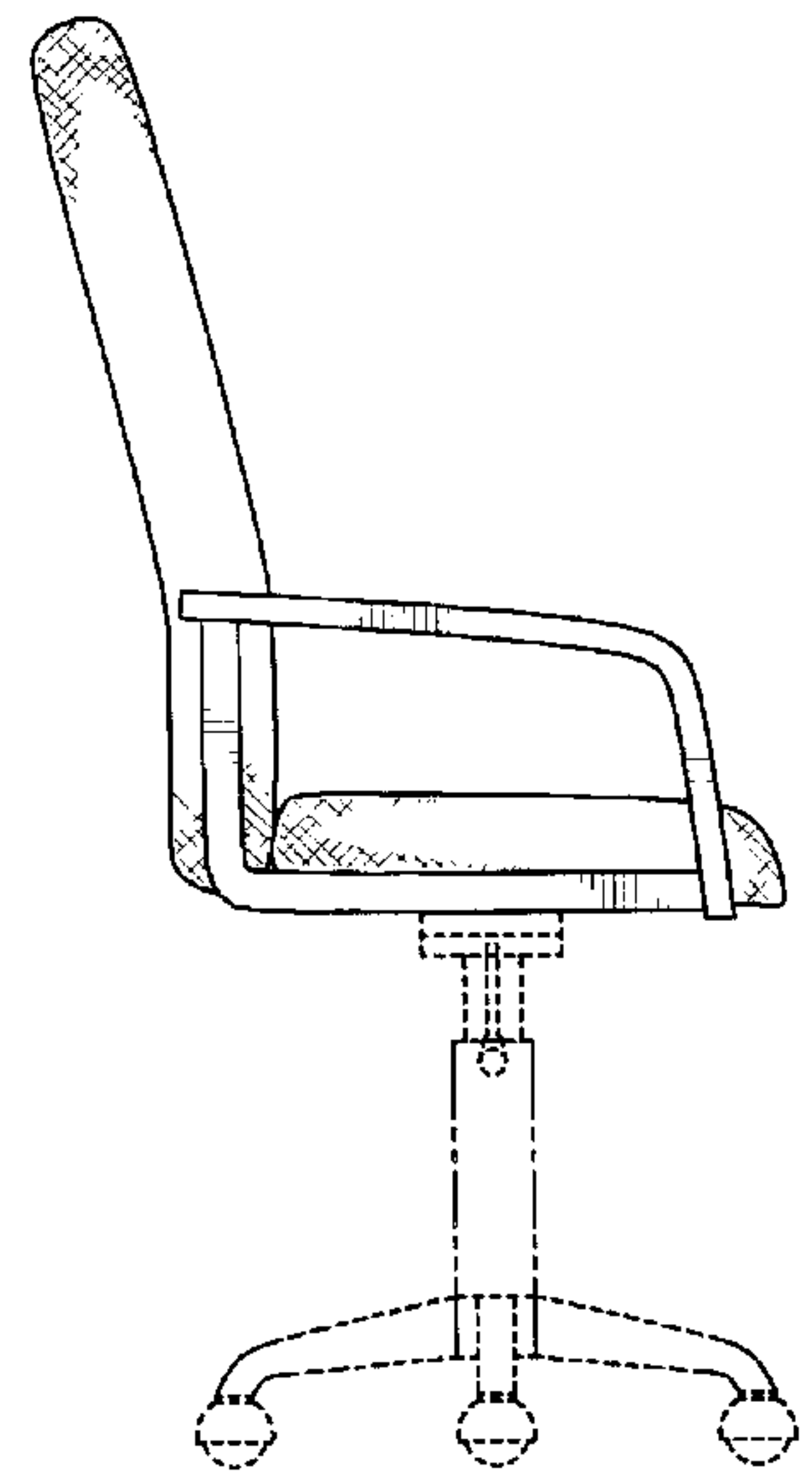
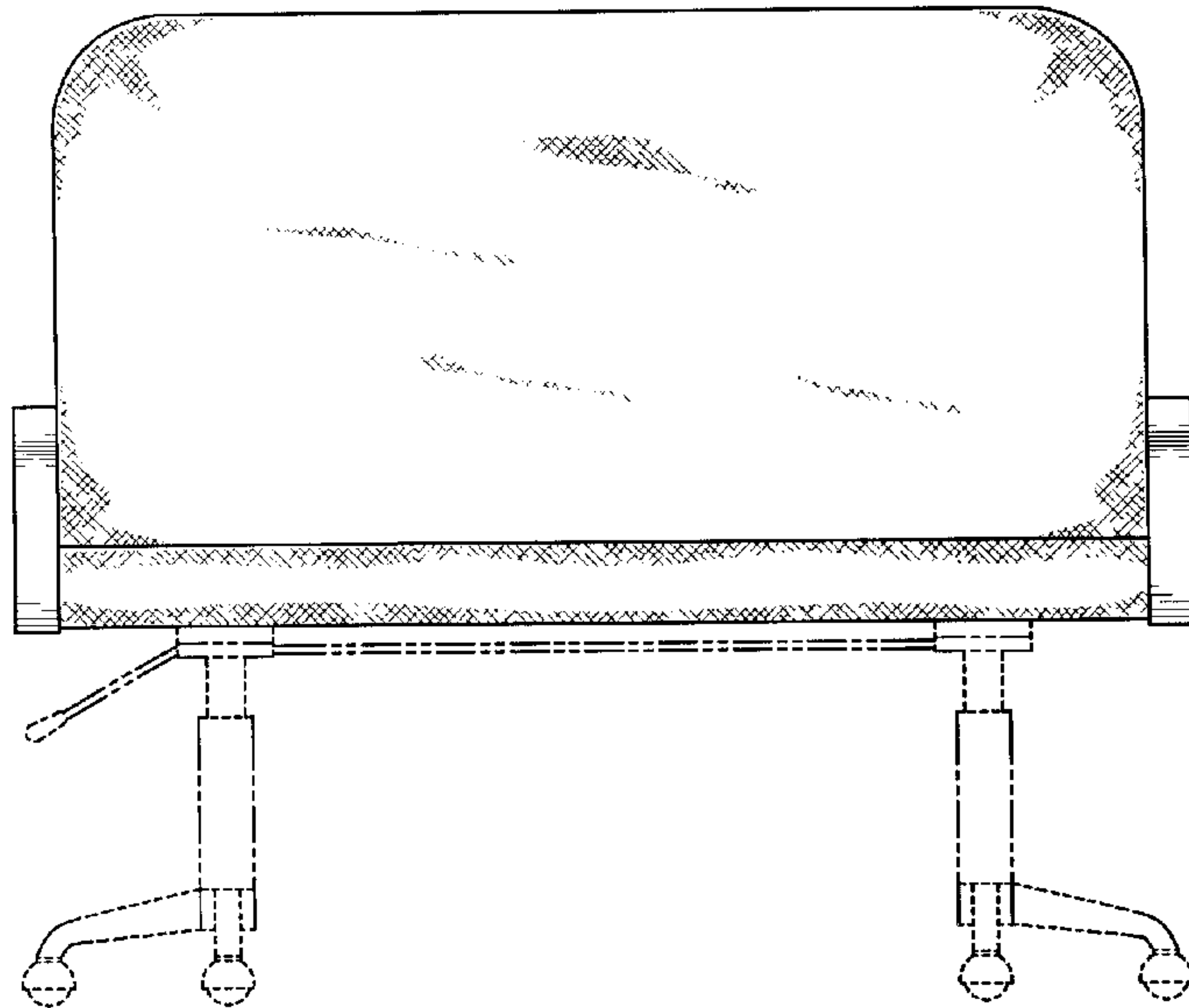
**U.S. PATENT DOCUMENTS**

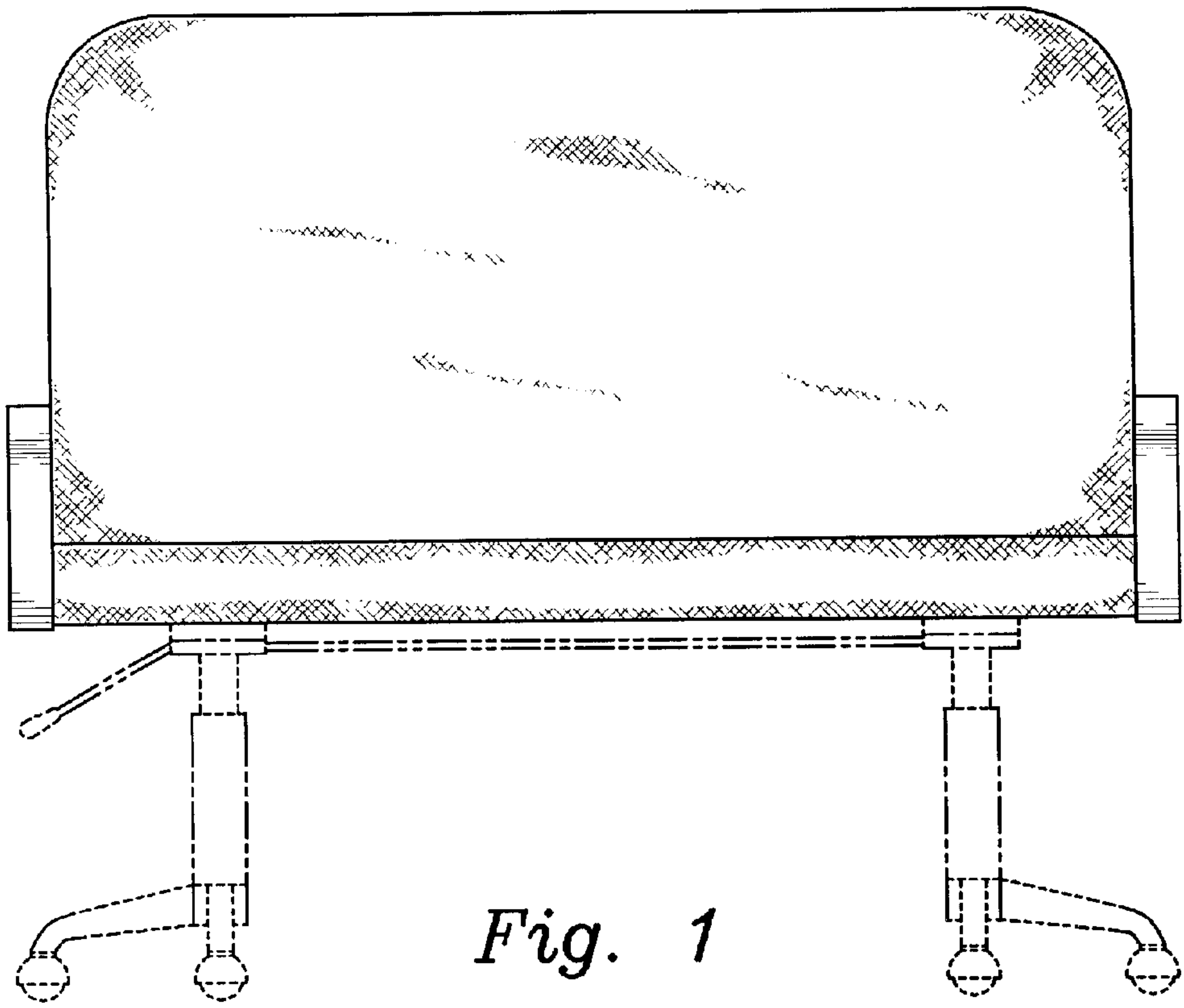
3,145,052 A \* 8/1964 Morgan ..... 297/233

D259,157 S \* 5/1981 Lubke ..... D6/381

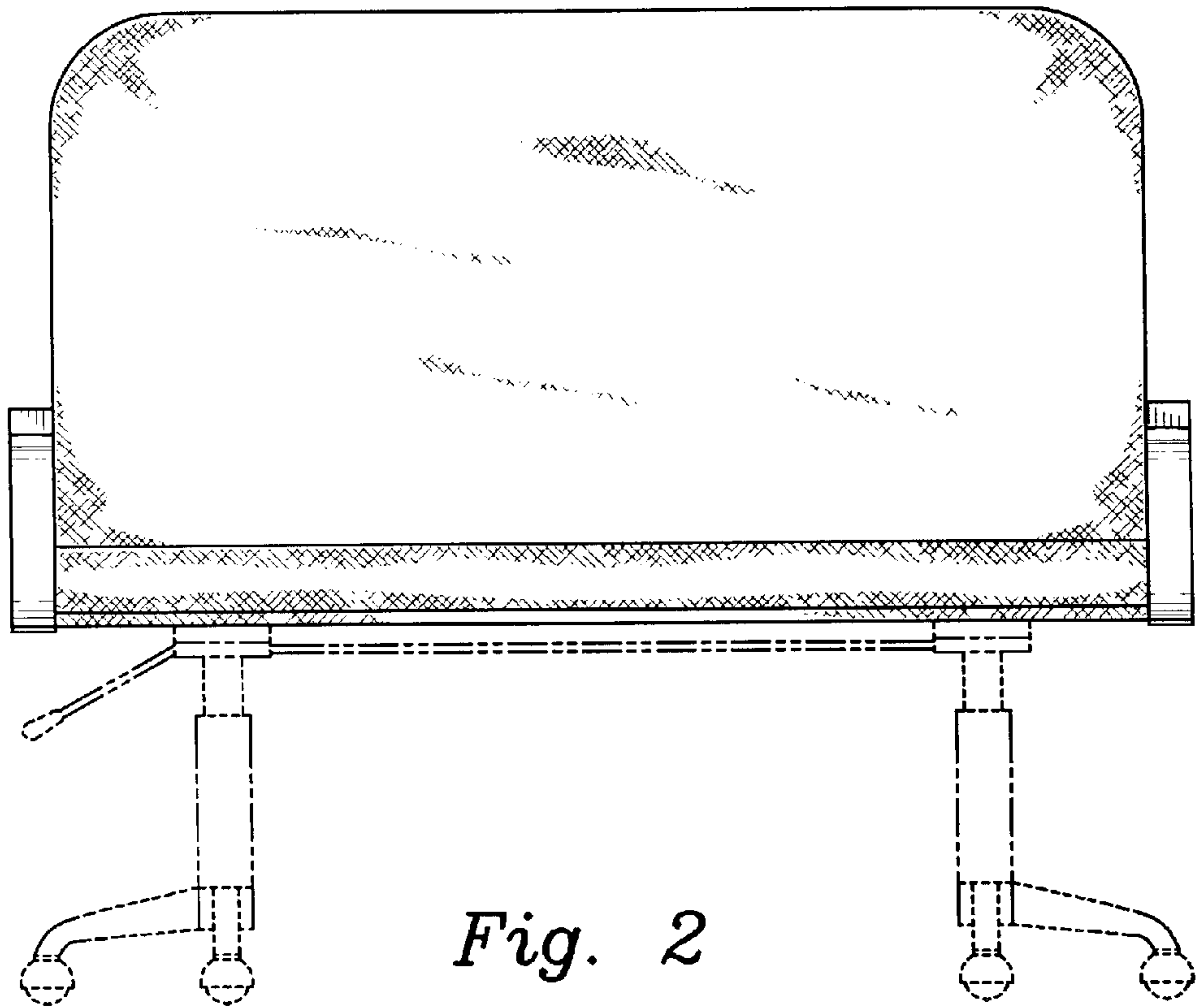
4,299,423 A \* 11/1981 Saiger ..... 297/232

**1 Claim, 3 Drawing Sheets**

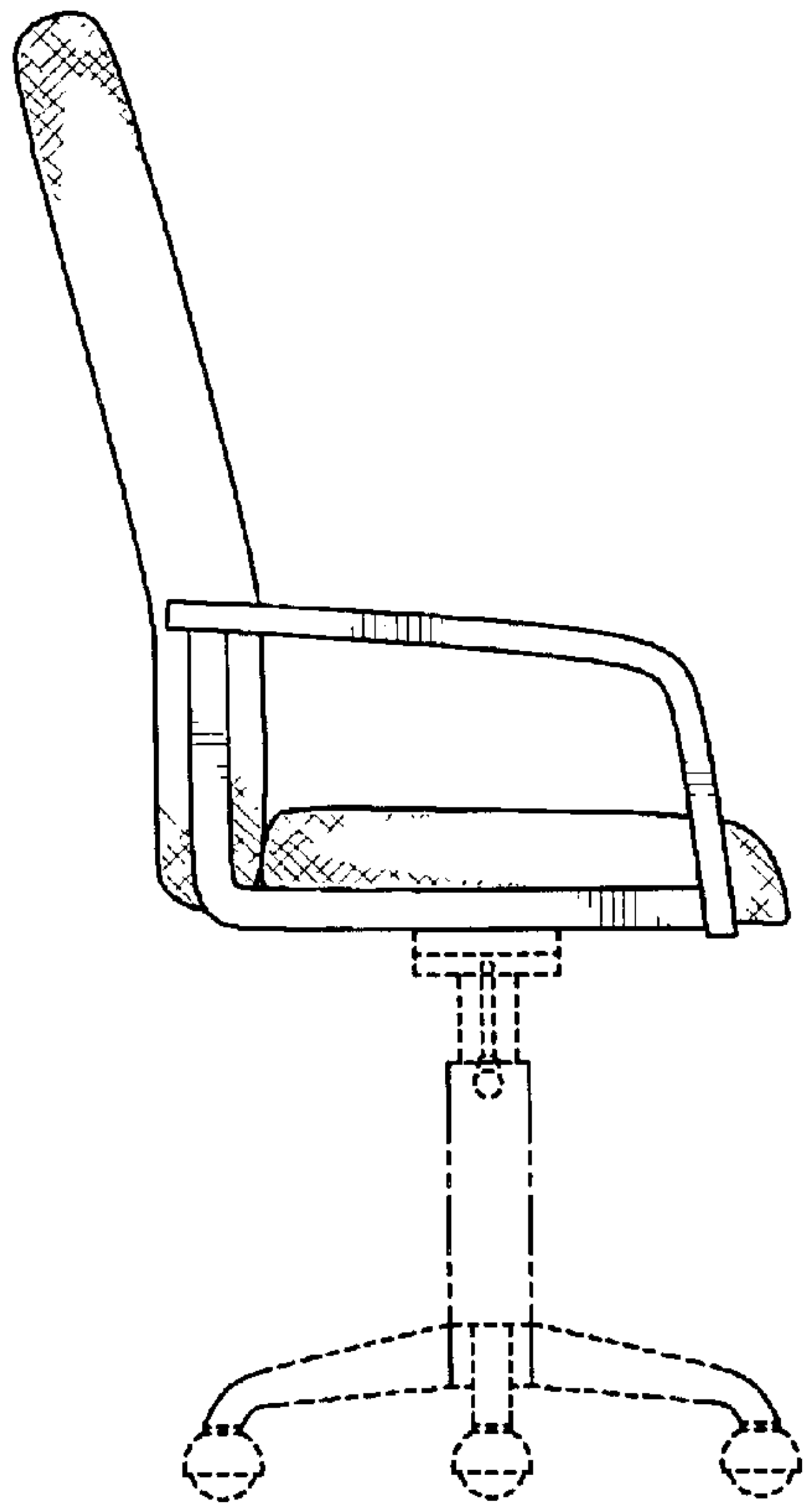




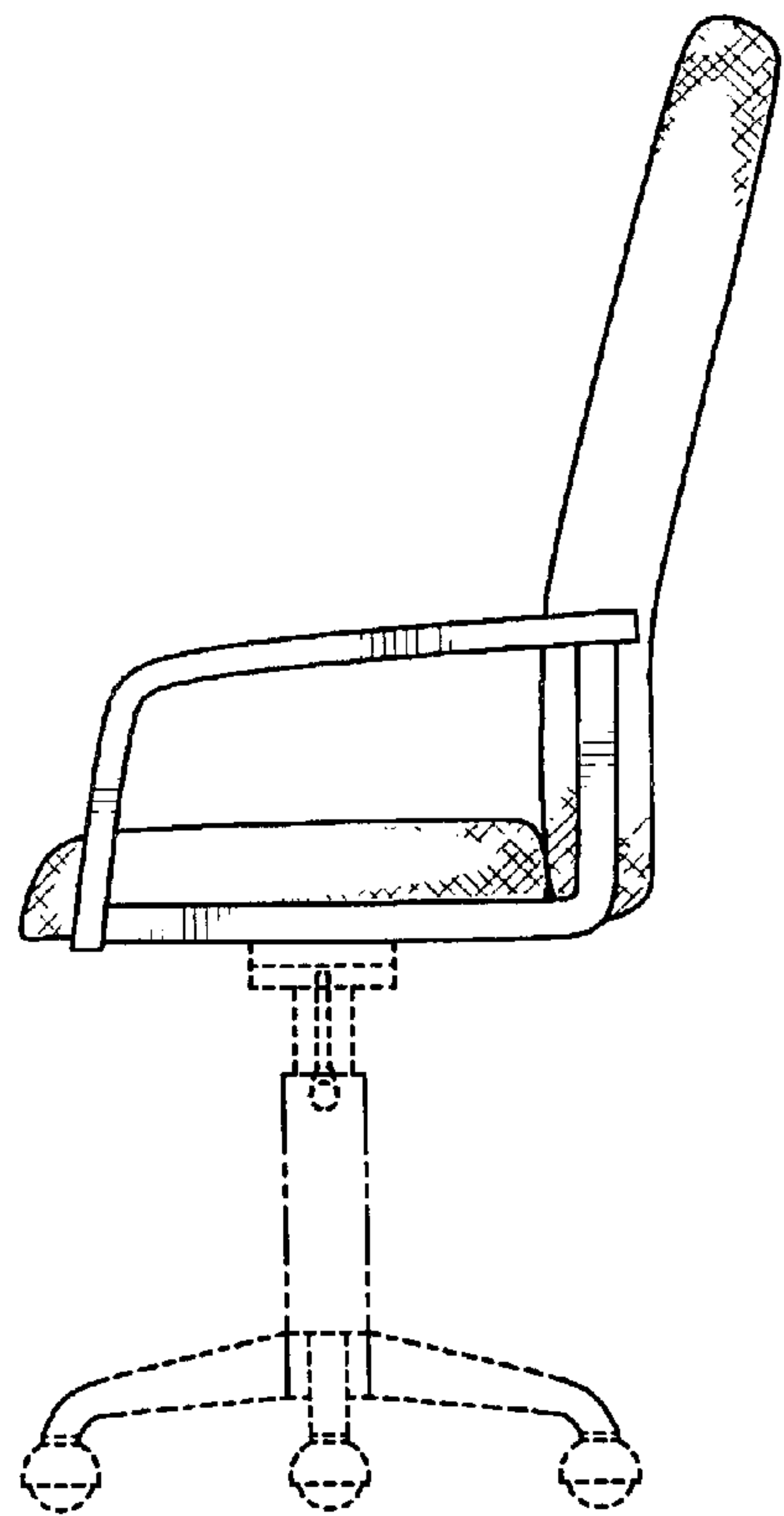
*Fig. 1*



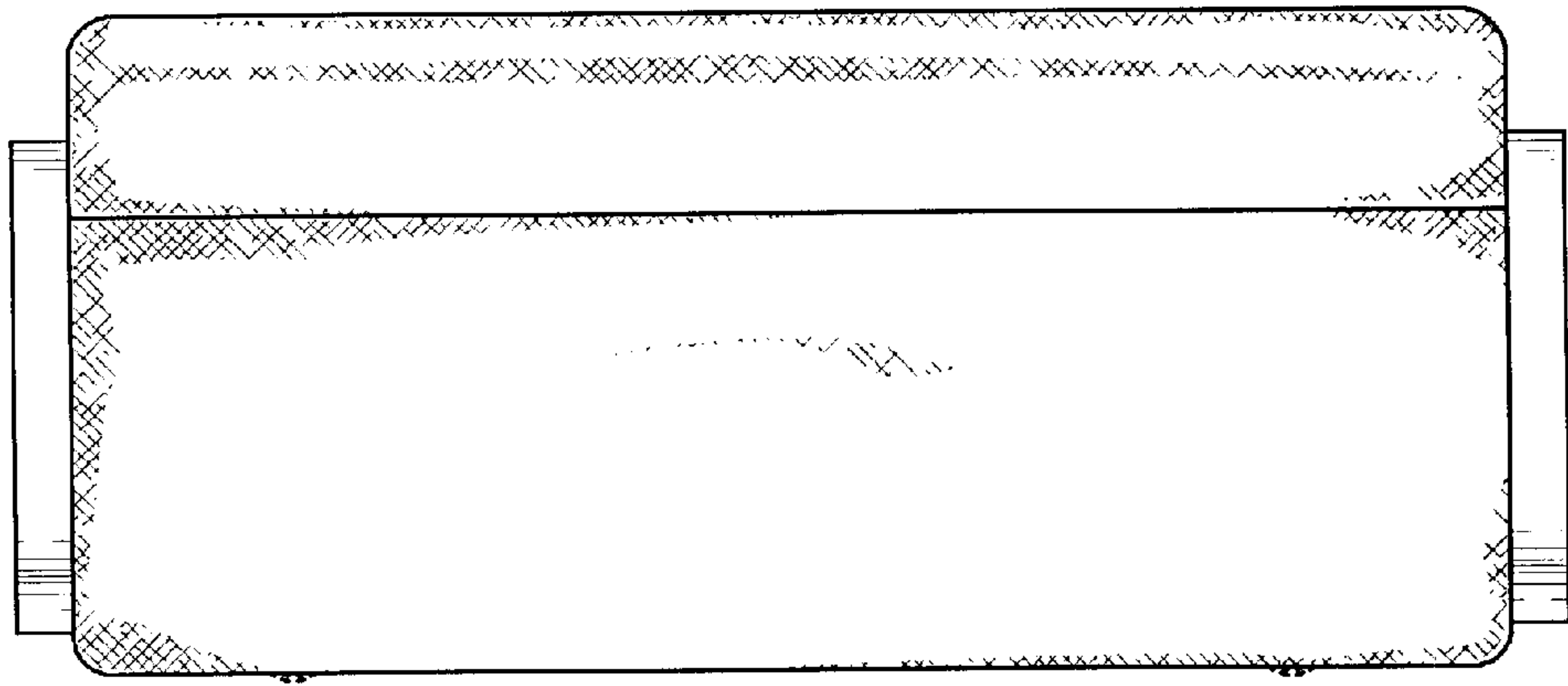
*Fig. 2*



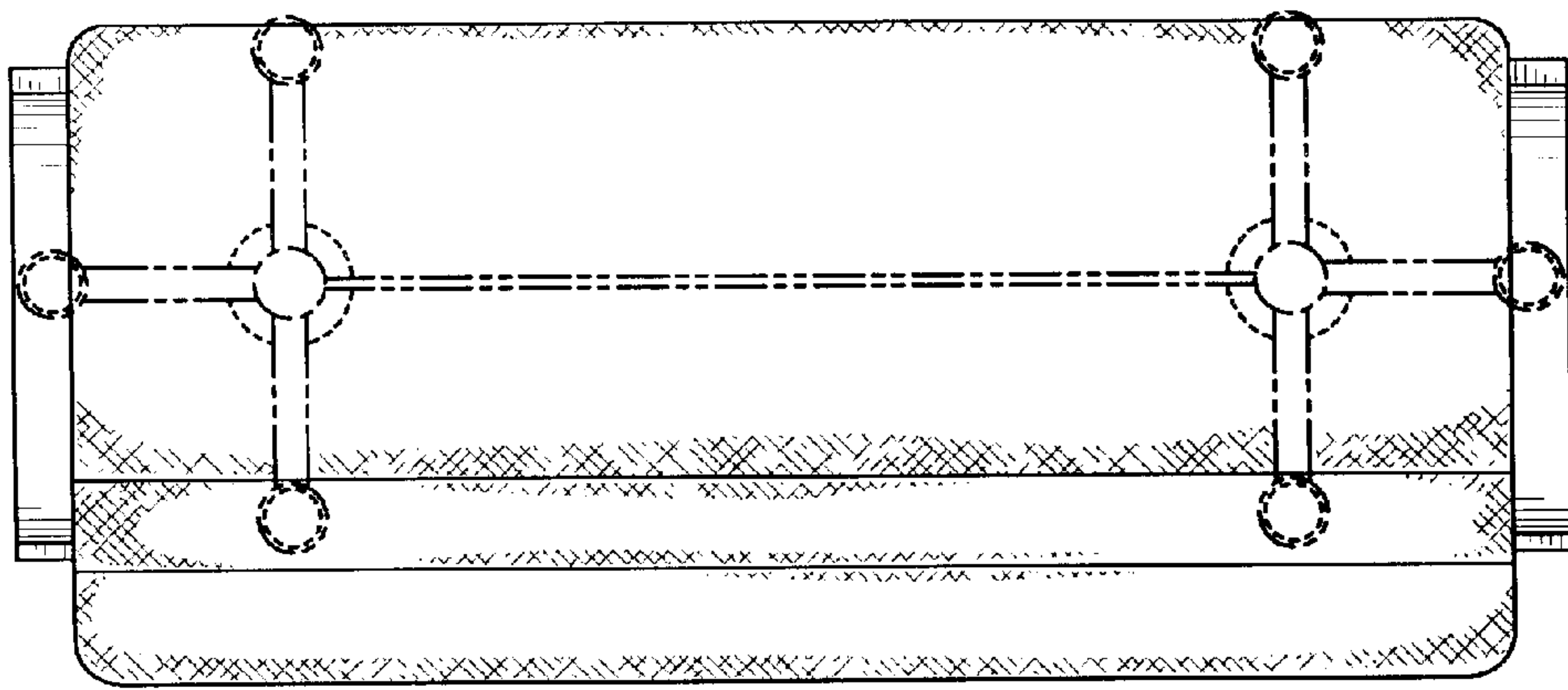
*Fig. 3*



*Fig. 4*



*Fig. 5*



*Fig. 6*