



US00D454265S

(12) **United States Design Patent**
Lillelund et al.

(10) **Patent No.:** **US D454,265 S**

(45) **Date of Patent:** **** Mar. 12, 2002**

(54) **COUNTER TOP DISPLAY RACK**

5,101,986 A 4/1992 Holztragger
D341,995 S 12/1993 Menashe
5,396,997 A 3/1995 Johnson

(75) Inventors: **Stig Lillelund**, Gentofte; **Jakob Heiberg**, Charlottenlund; **Ian Tomas Benzon**, Copenhagen, all of (DK); **Robert H. C. M. Daenen**, Aalst (BE)

* cited by examiner

(73) Assignee: **Dart Industries Inc.**, Orlando, FL (US)

Primary Examiner—Cathron C. Brooks
(74) *Attorney, Agent, or Firm*—Taylor J. Ross

(**) Term: **14 Years**

(57) **CLAIM**

(21) Appl. No.: **29/142,260**

The ornamental design for a counter top display rack, as shown and described.

(22) Filed: **May 21, 2001**

DESCRIPTION

(51) **LOC (7) Cl.** **06-04**

(52) **U.S. Cl.** **D6/475; D6/449; D6/490**

(58) **Field of Search** D6/396, 449, 475, D6/490; D7/504; D23/407, 410; 211/42, 49.1, 50, 72, 85.26; 248/174, 441.1, 459

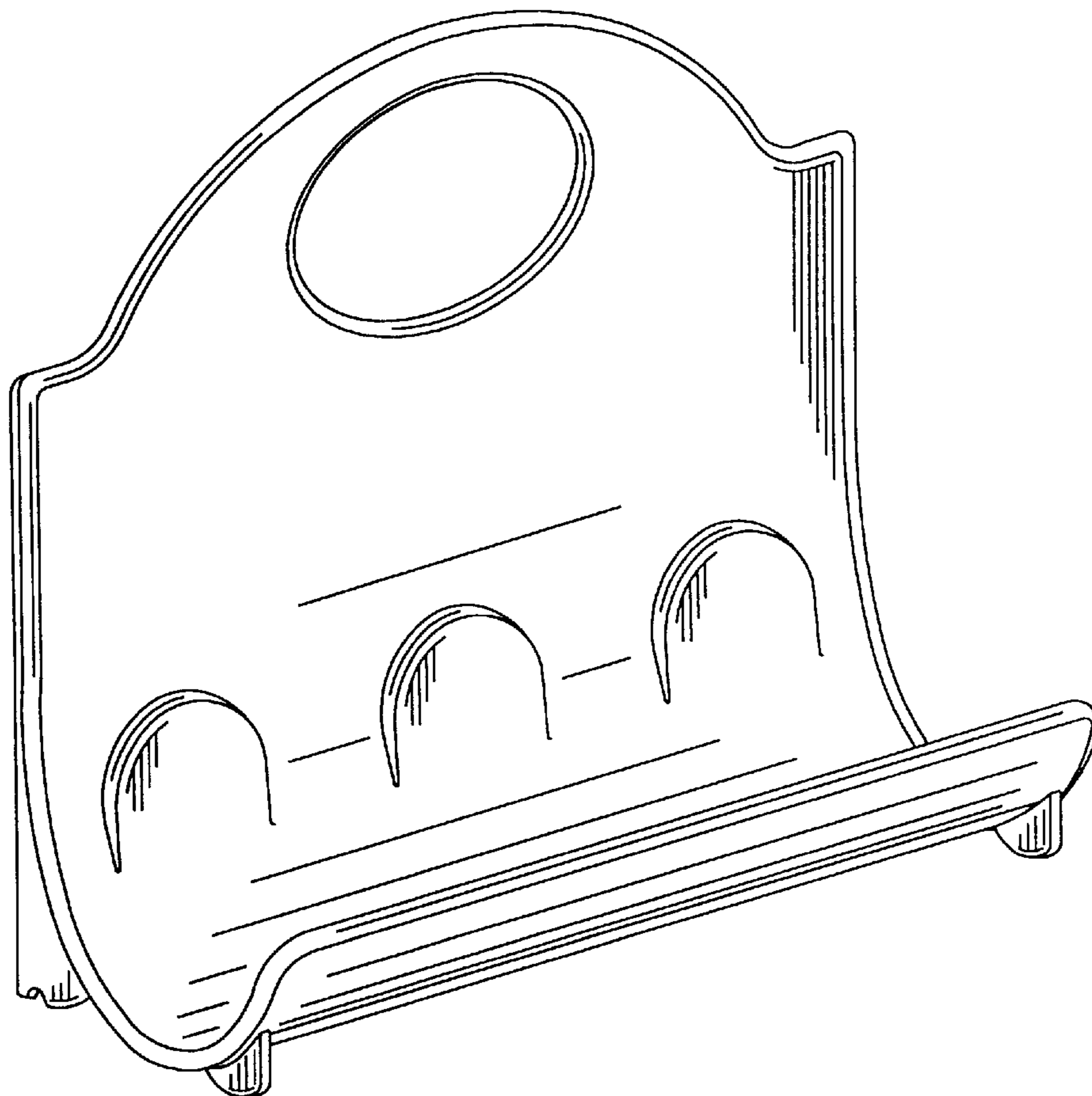
FIG. 1 is a top, side and front perspective view of a counter top display rack showing the new design; FIG. 2 is a bottom side and rear perspective view thereof; FIG. 3 is a front elevation view thereof; FIG. 4 is a rear side elevation view thereof; FIG. 5 is a left side elevation view thereof; FIG. 6 is a right side elevation view thereof; FIG. 7 is a top plan view thereof; and, FIG. 8 is bottom plan view thereof.

(56) **References Cited**

U.S. PATENT DOCUMENTS

D225,638 S * 12/1972 Christianson D23/410
D250,982 S * 2/1979 Gilman D6/475

1 Claim, 4 Drawing Sheets



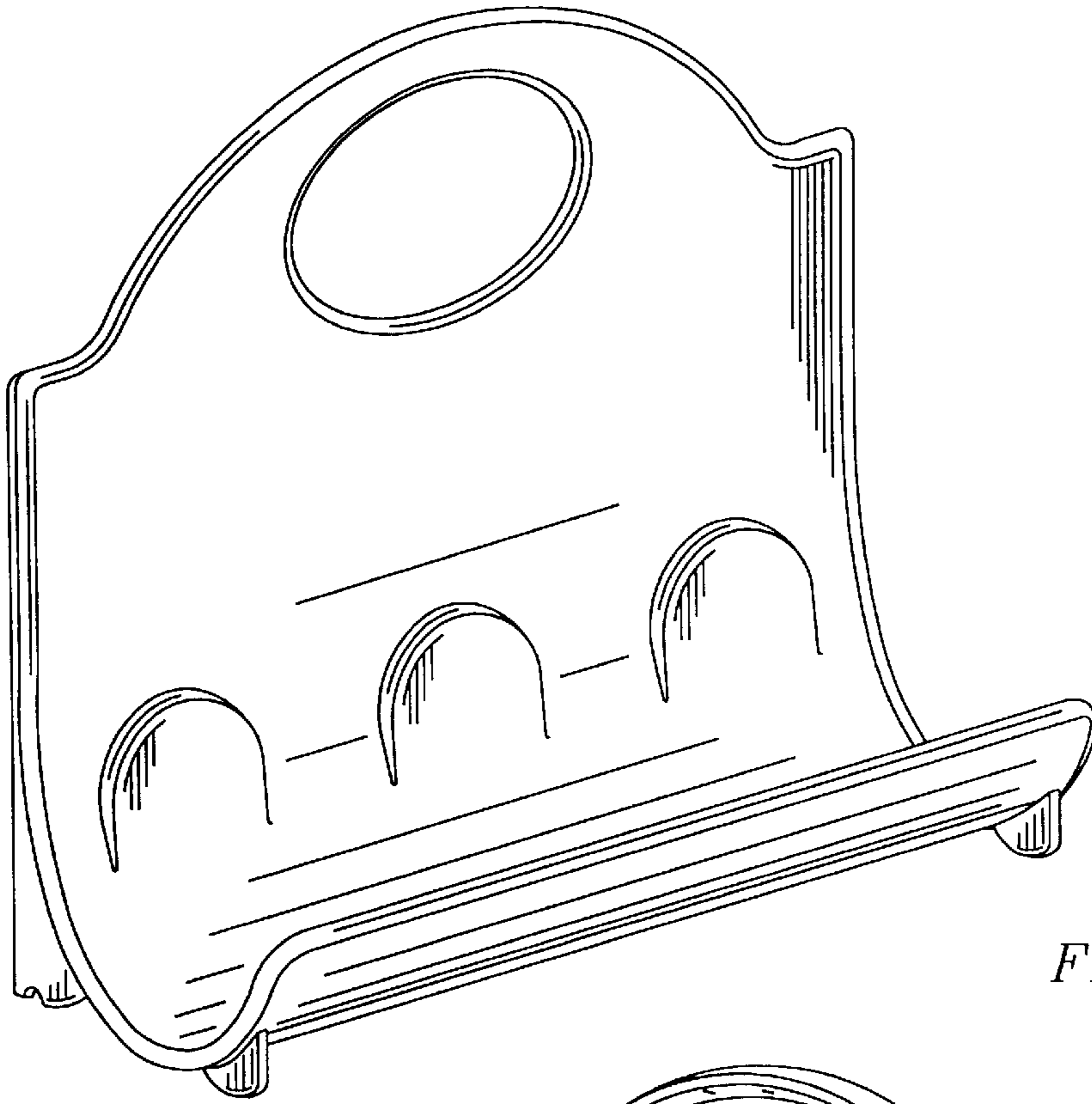


FIG. 1

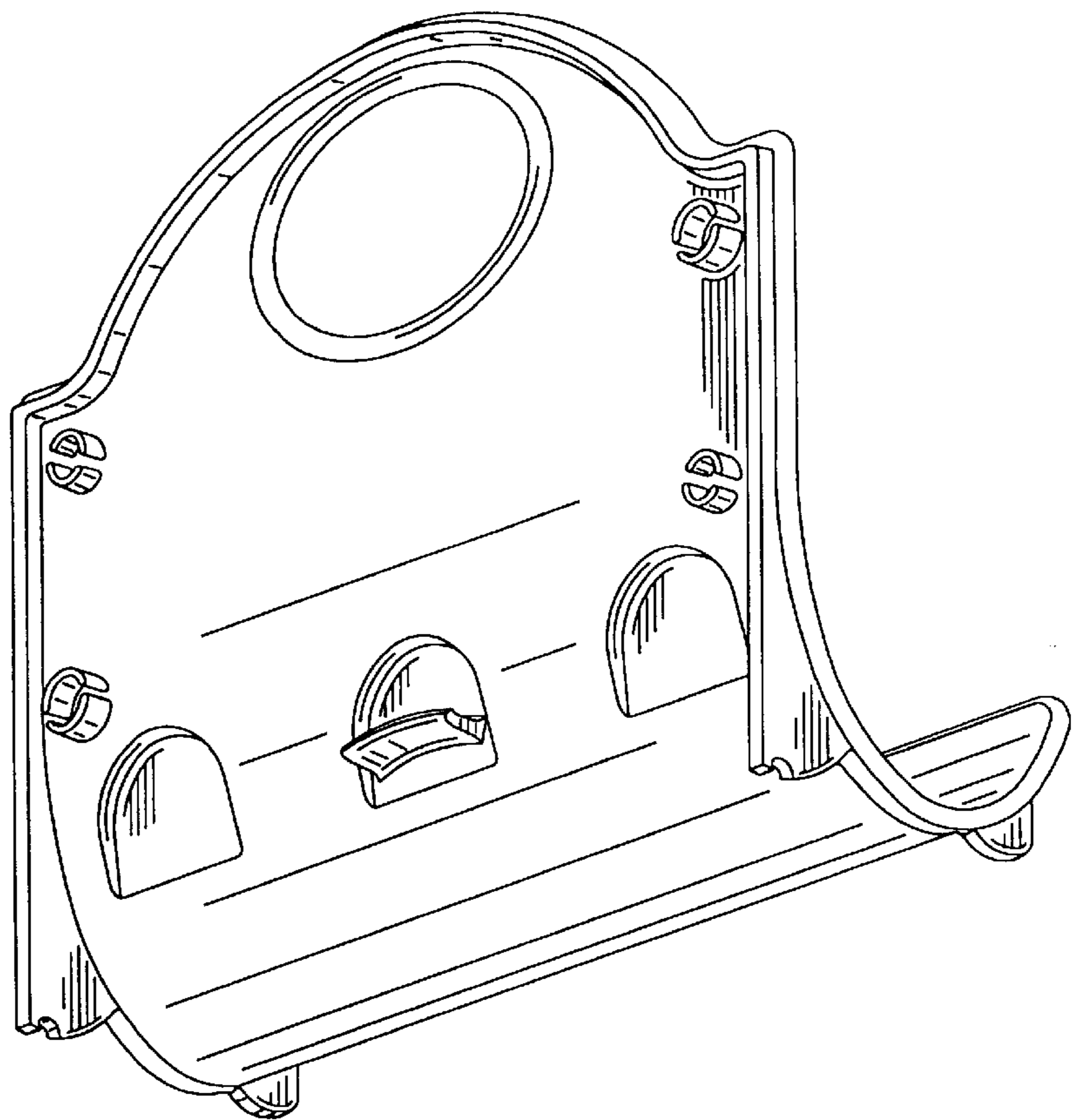


FIG. 2

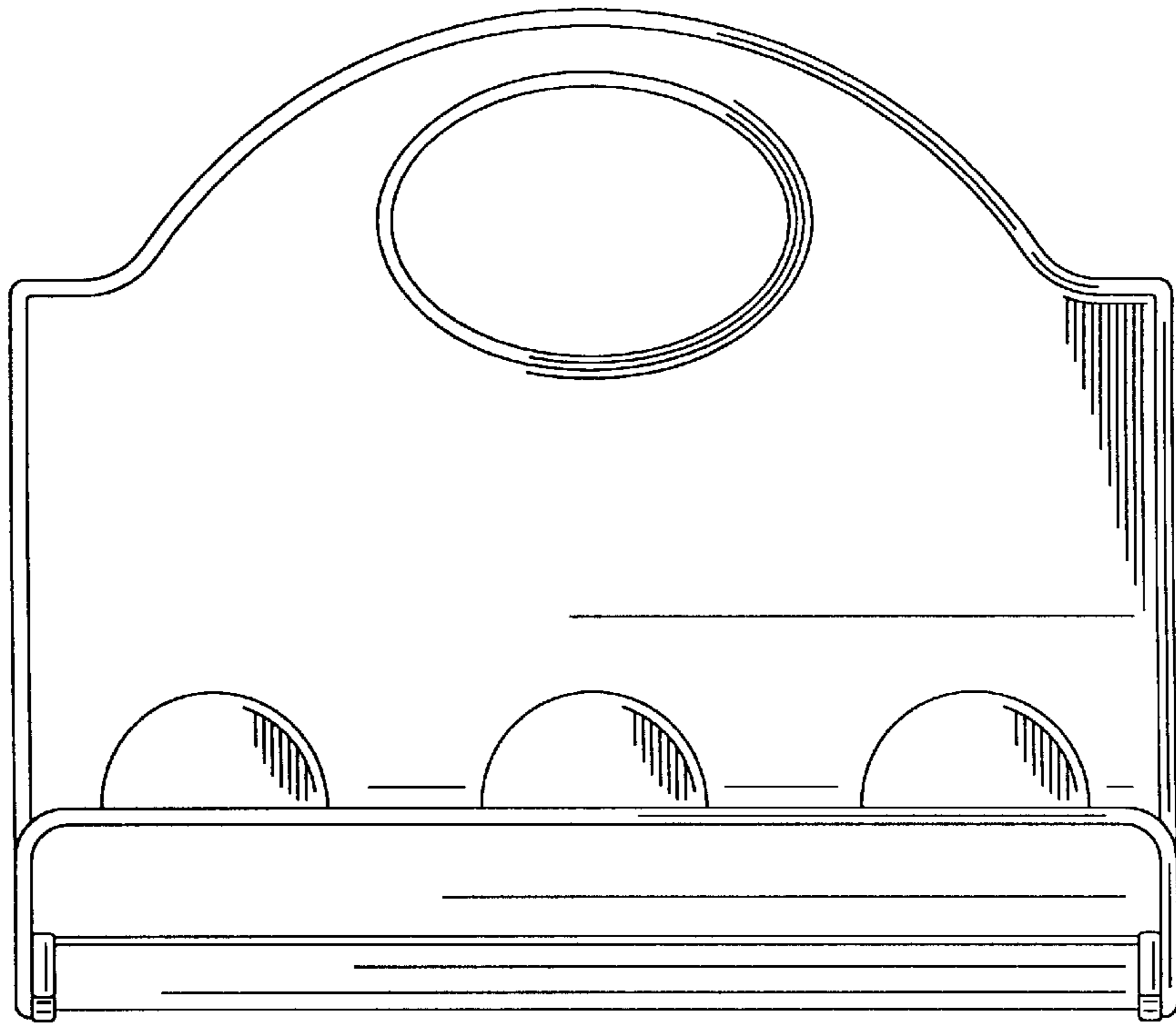


FIG. 3

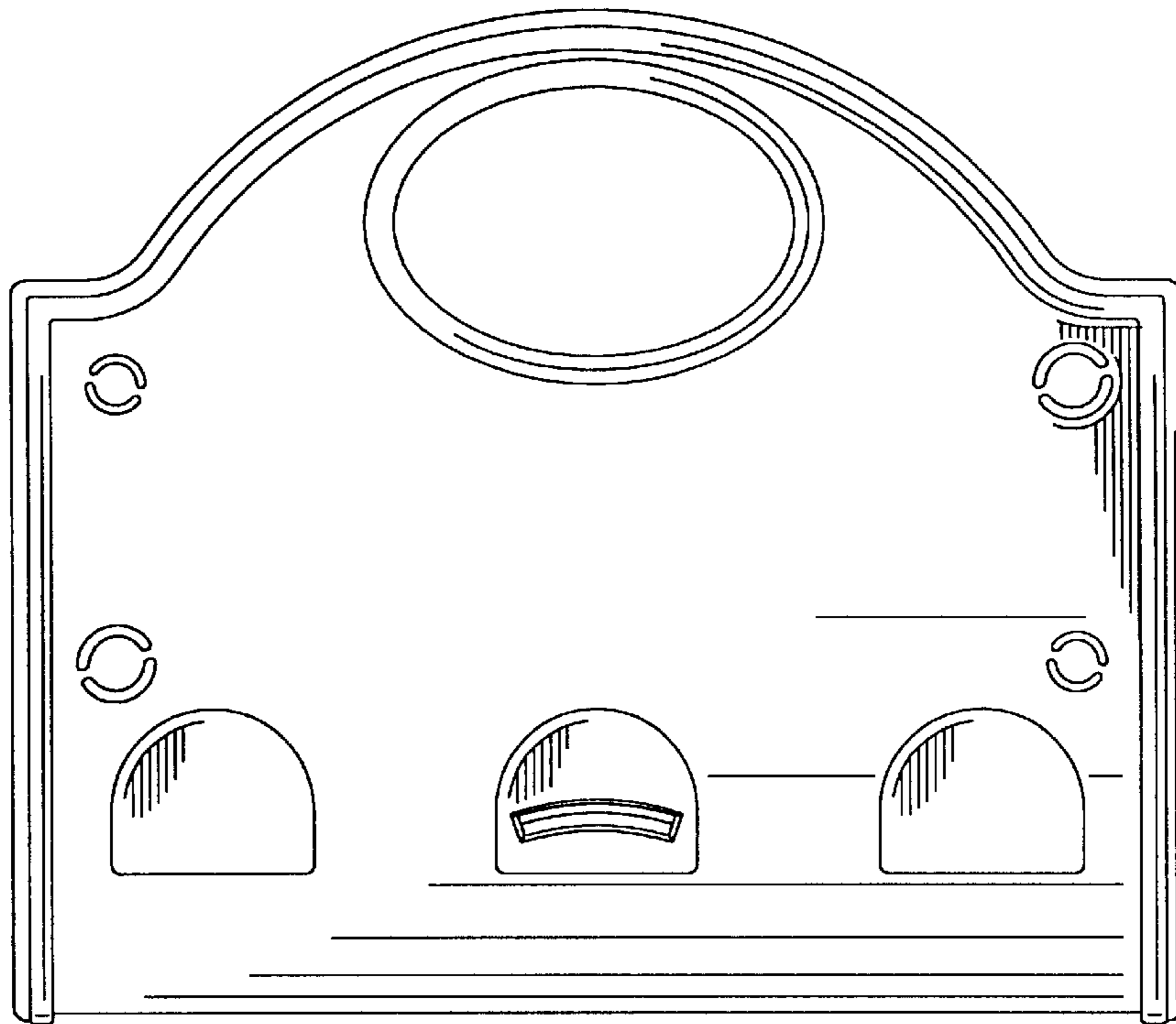


FIG. 4

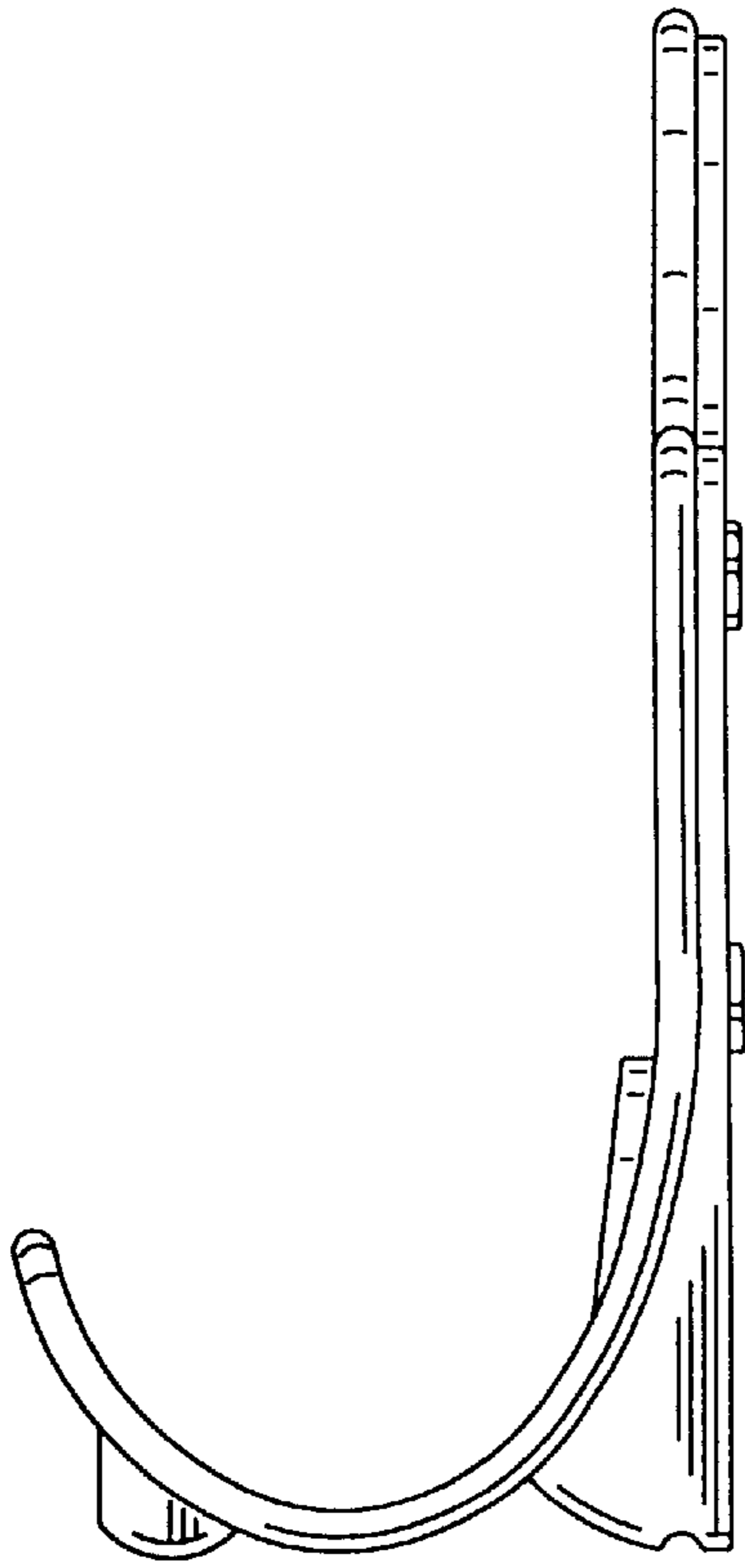


FIG. 5

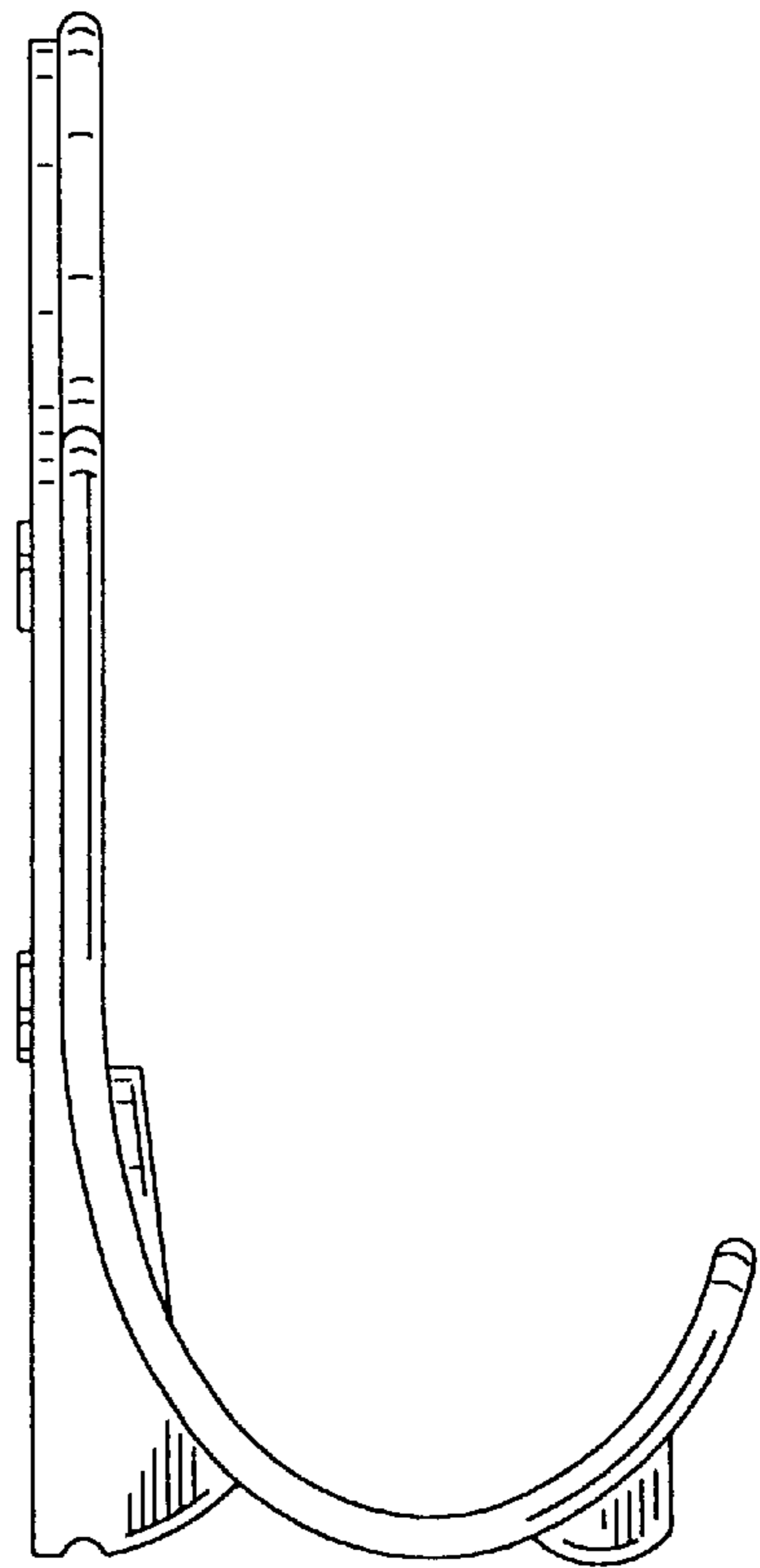


FIG. 6

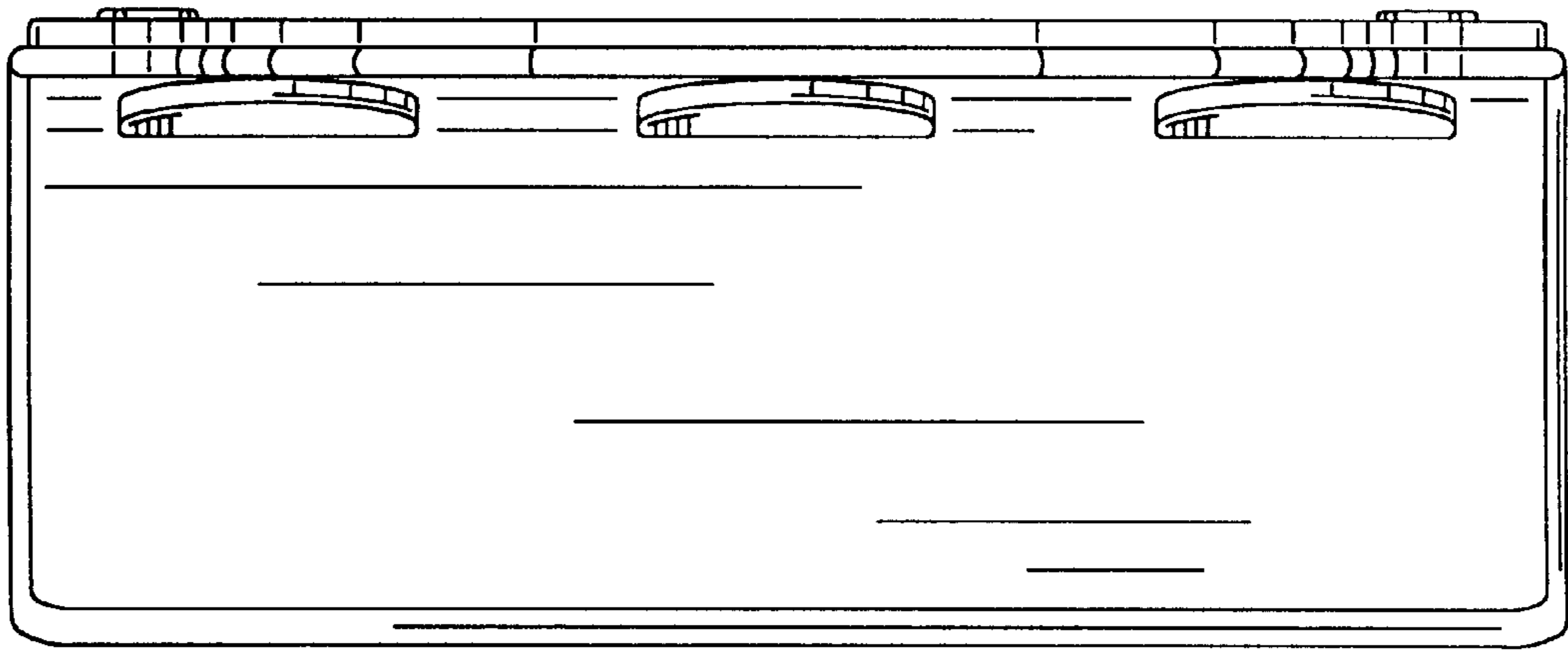


FIG. 7

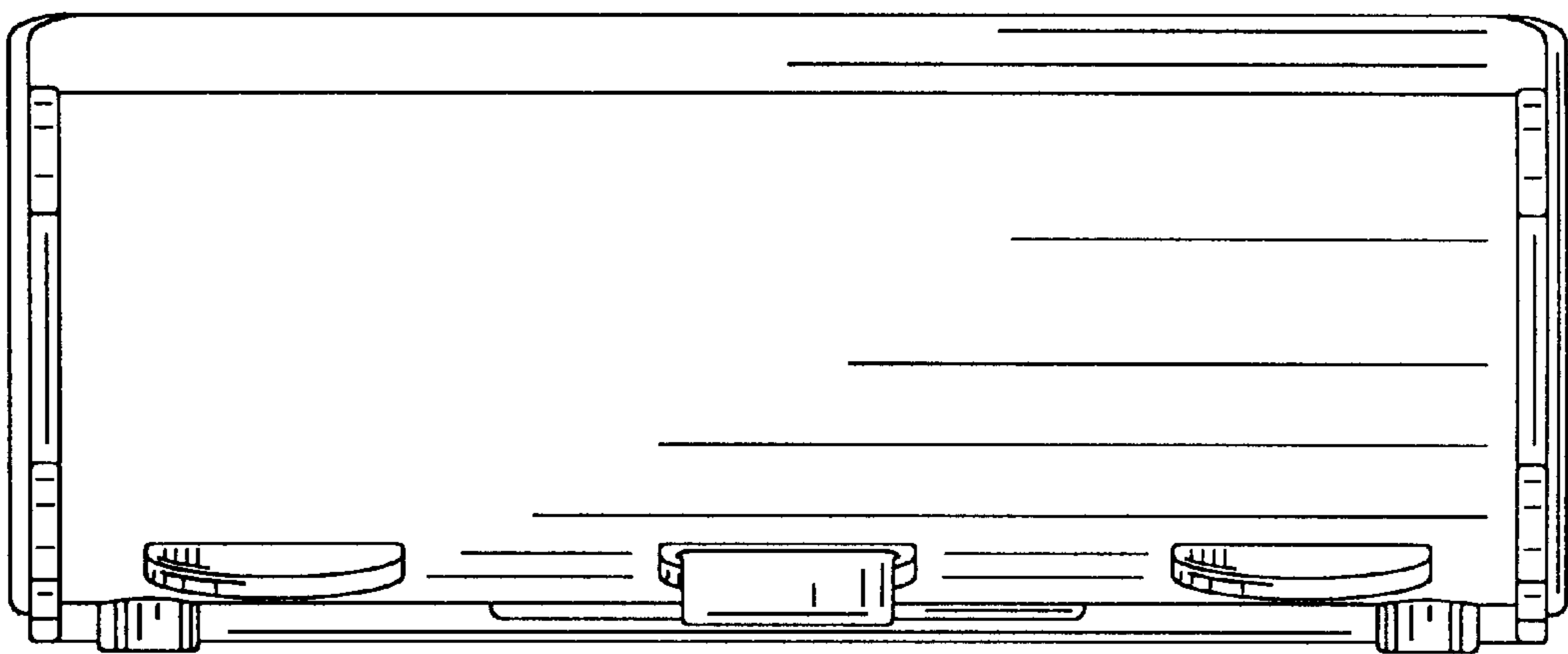


FIG. 8