



US00D454263S

(12) **United States Design Patent**
Worrall

(10) **Patent No.:** **US D454,263 S**
(45) **Date of Patent:** **** Mar. 12, 2002**

(54) **SPEAKER STAND**

(76) **Inventor:** **Raymond Worrall**, The Haven, Calif
Heath, Wolverhampton, WV10 7DN
(GB)

(**) **Term:** **14 Years**

(21) **Appl. No.:** **29/136,365**

(22) **Filed:** **Jan. 29, 2001**

(51) **LOC (7) Cl.** **06-04**

(52) **U.S. Cl.** **D6/449**; D6/466; D14/224

(58) **Field of Search** D6/396, 449, 455,
D6/466, 403, 457, 486; D14/211, 224;
248/158, 188.5, 146, 346.01, 346.03, 441.1

(56) **References Cited**

U.S. PATENT DOCUMENTS

- D132,876 S * 6/1942 Cooper D6/486
- 4,078,757 A * 3/1978 Waters 248/441.1
- 5,065,975 A * 11/1991 Giles 248/545
- D322,524 S * 12/1991 Allen D6/411

- 5,169,104 A * 12/1992 Kwoh 248/176.1
- D353,499 S * 12/1994 Schwallenstecker D6/449
- D360,887 S * 8/1995 Karnaze D14/224
- D400,735 S * 11/1998 House et al. D6/466

OTHER PUBLICATIONS

Stereo Review, Canoe Speaker Support, p. 155, Feb. 1996.*

* cited by examiner

Primary Examiner—Cathron C. Brooks

(74) *Attorney, Agent, or Firm*—Wells, St. John, Roberts,
Gregory & Matkin

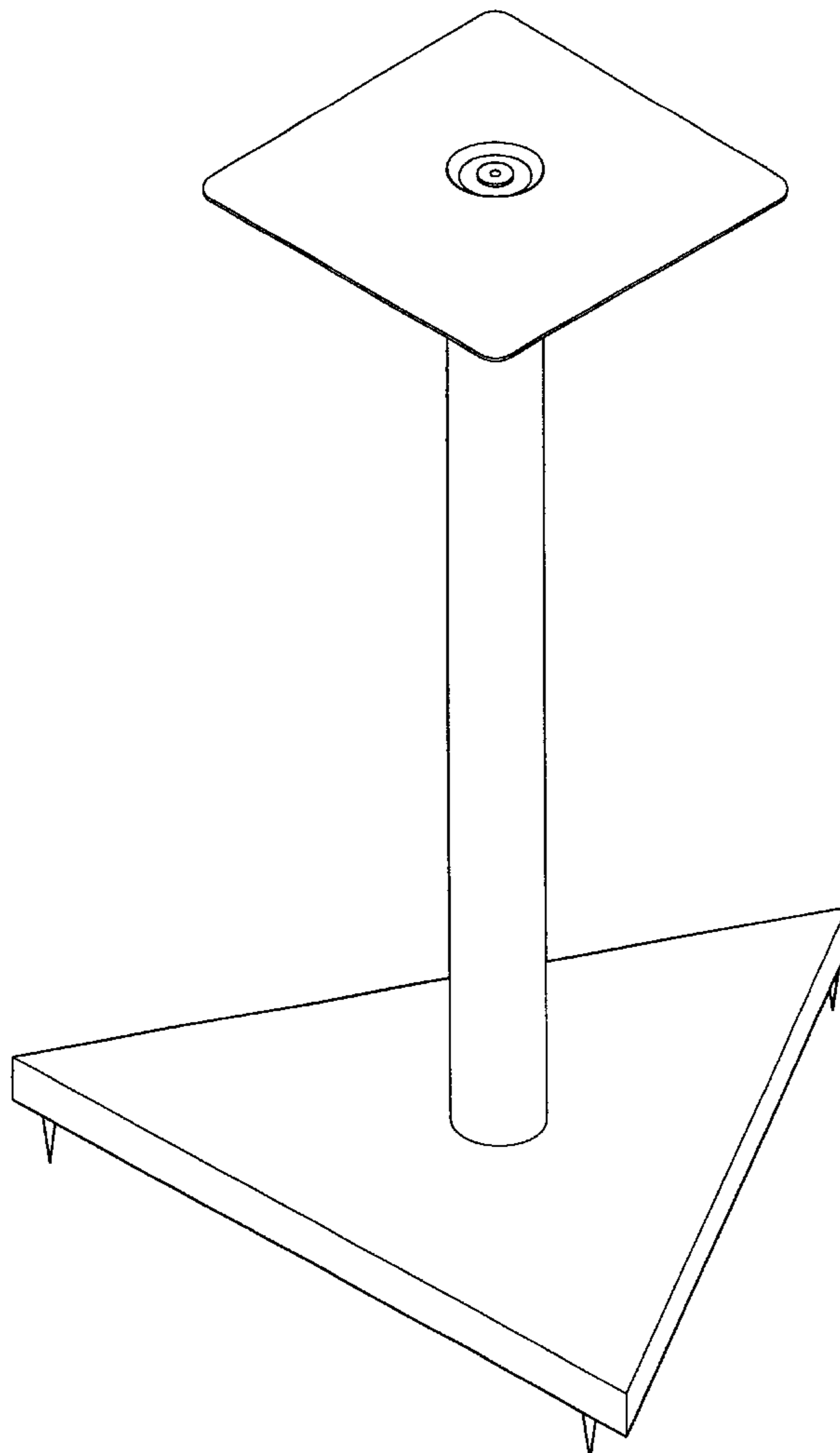
(57) **CLAIM**

The ornamental design for a speaker stand, as shown.

DESCRIPTION

FIG. 1 is a perspective view of the speaker stand;
FIG. 2 is a top plan view of the speaker stand; and,
FIG. 3 is a side view of the speaker stand.

1 Claim, 2 Drawing Sheets



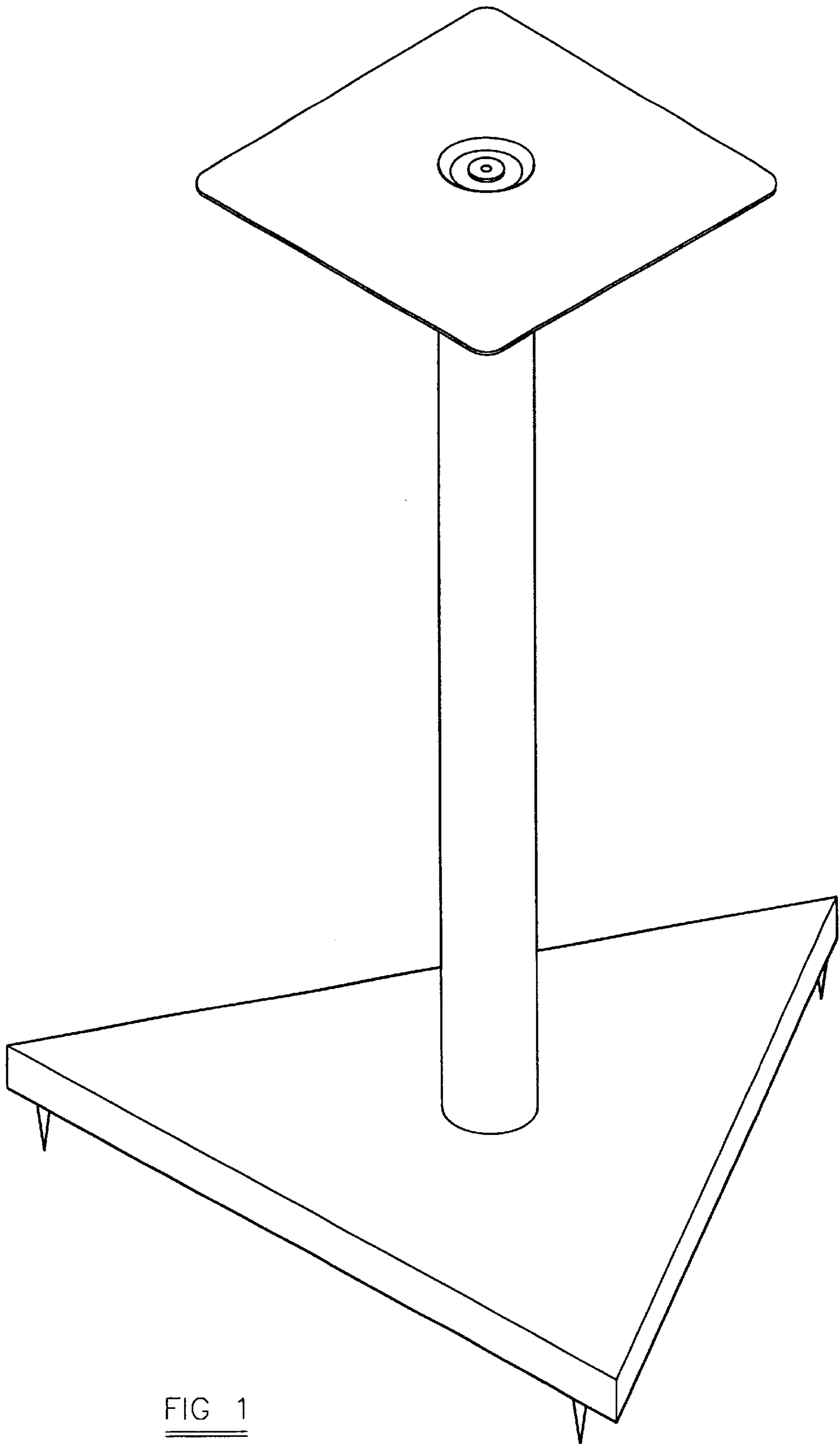


FIG 1

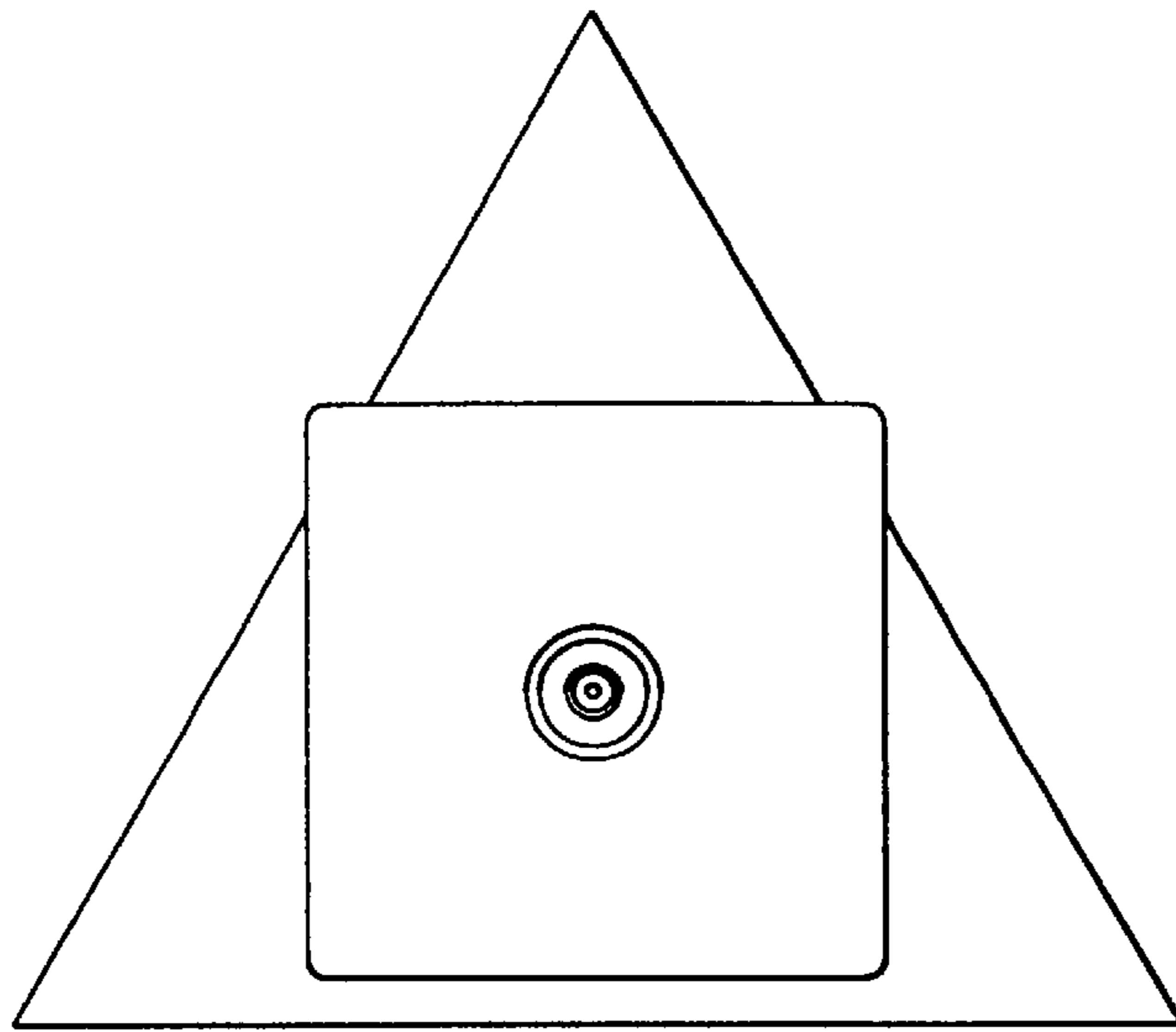


FIG 2

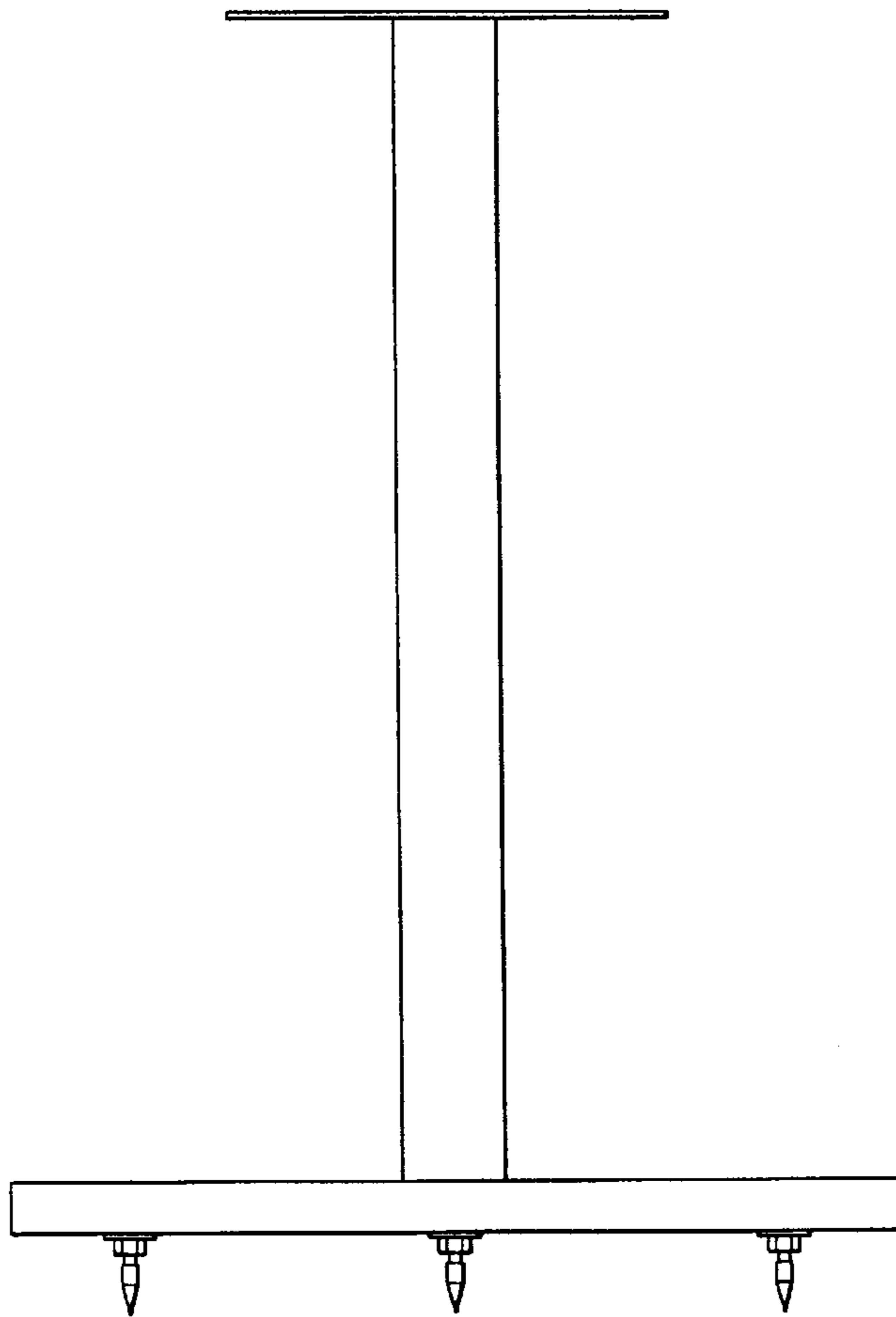


FIG 3

UNITED STATES PATENT AND TRADEMARK OFFICE
CERTIFICATE OF CORRECTION

PATENT NO. : Des. 454,263 S
DATED : March 12, 2002
INVENTOR(S) : Worrall

Page 1 of 1

It is certified that error appears in the above-identified patent and that said Letters Patent is hereby corrected as shown below:

Title page.

Insert Item -- [73] Assignee: **AVF Group Limited**, Wolverhampton, England --.

Item [30], **Foreign Application Priority Data**, please add:

-- Priority is claimed to Great Britain Registered Design 2094581 dated July 29, 2000. --.

Signed and Sealed this

Fourteenth Day of February, 2006

A handwritten signature in black ink on a light gray dotted background. The signature reads "Jon W. Dudas" in a cursive style.

JON W. DUDAS

Director of the United States Patent and Trademark Office