



US00D454262S

(12) **United States Design Patent**  
**Chu et al.**

(10) **Patent No.:** **US D454,262 S**  
(45) **Date of Patent:** **\*\* Mar. 12, 2002**

(54) **STORAGE CABINET**

D437,147 S \* 2/2001 Ungaro ..... D6/432  
D446,050 S \* 8/2001 Sabo et al. .... D6/446

(76) Inventors: **Chau-Ho Chu**, 5F-2, No. 10, King San Road, Taichung; **Kam-Kai Lai**, 6F-1, No. 130, Chong Der Road, Taichung, both of (TW)

\* cited by examiner

(\*\*) Term: **14 Years**

*Primary Examiner*—Cathron C. Brooks  
(74) *Attorney, Agent, or Firm*—Alan Kamrath; Rider, Bennett, Egan & Arundel, LLP

(21) Appl. No.: **29/145,748**

(22) Filed: **Jul. 27, 2001**

(57) **CLAIM**

The ornamental design for storage cabinet, as shown and described.

(51) **LOC (7) Cl.** ..... **06-04**

(52) **U.S. Cl.** ..... **D6/446**

(58) **Field of Search** ..... D6/432-448, 561;  
312/114, 138.1, 204, 224

**DESCRIPTION**

FIG. 1 is a perspective view of a storage cabinet showing my new design;  
FIG. 2 is a front elevational view thereof;  
FIG. 3 is a rear elevational view thereof;  
FIG. 4 is a left elevational view thereof; the opposite side being a mirror image of the shown  
FIG. 5 is a top plan view thereof; and,  
FIG. 6 is bottom plan view thereof.

(56) **References Cited**

**U.S. PATENT DOCUMENTS**

2,869,956 A \* 1/1959 Gaines ..... 108/93  
D312,361 S \* 11/1990 Palka ..... D6/447  
D347,341 S \* 5/1994 Handley et al. .... D6/481  
D382,139 S \* 8/1997 Palka ..... D6/446

**1 Claim, 3 Drawing Sheets**

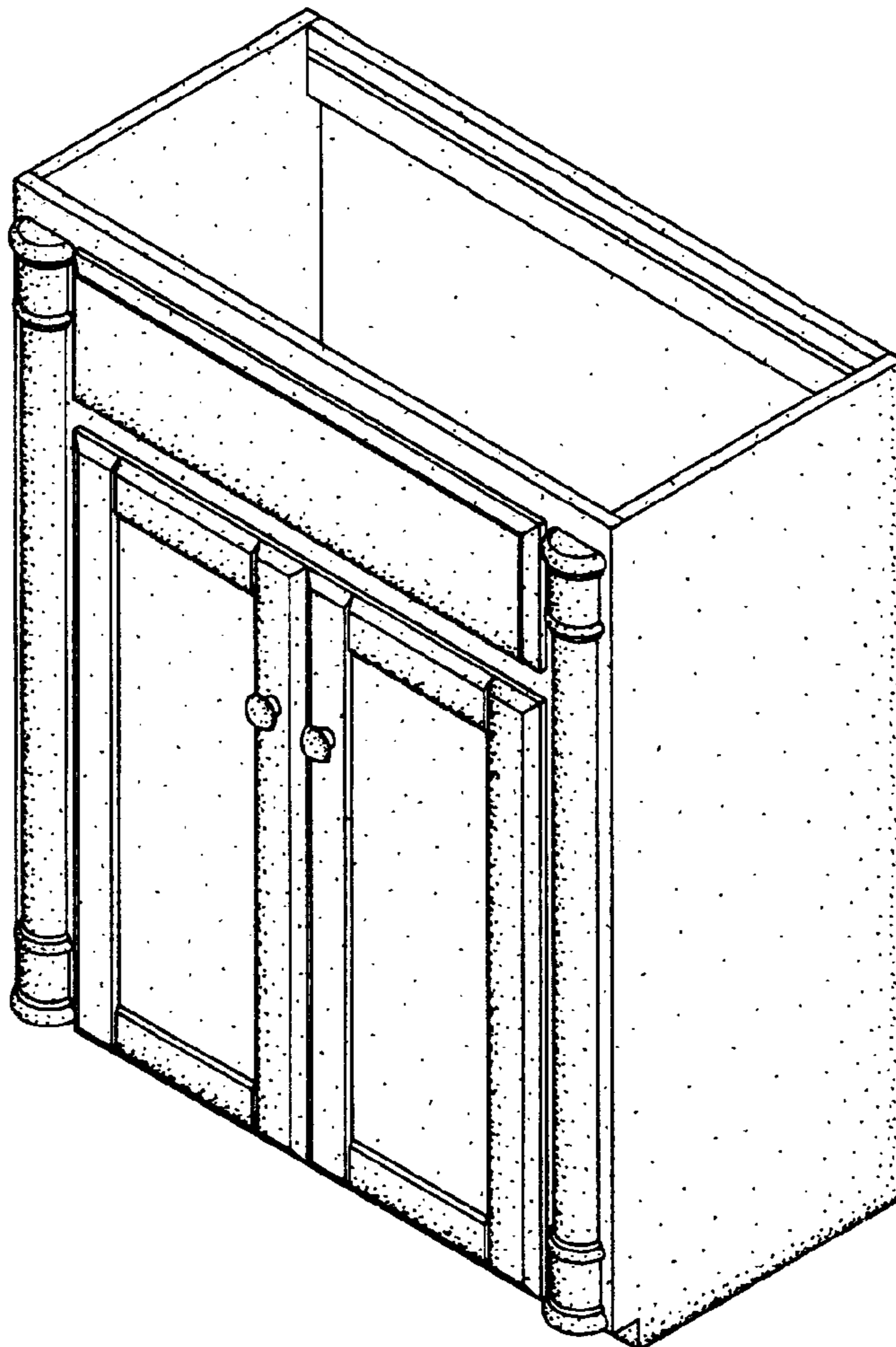


Fig. 1

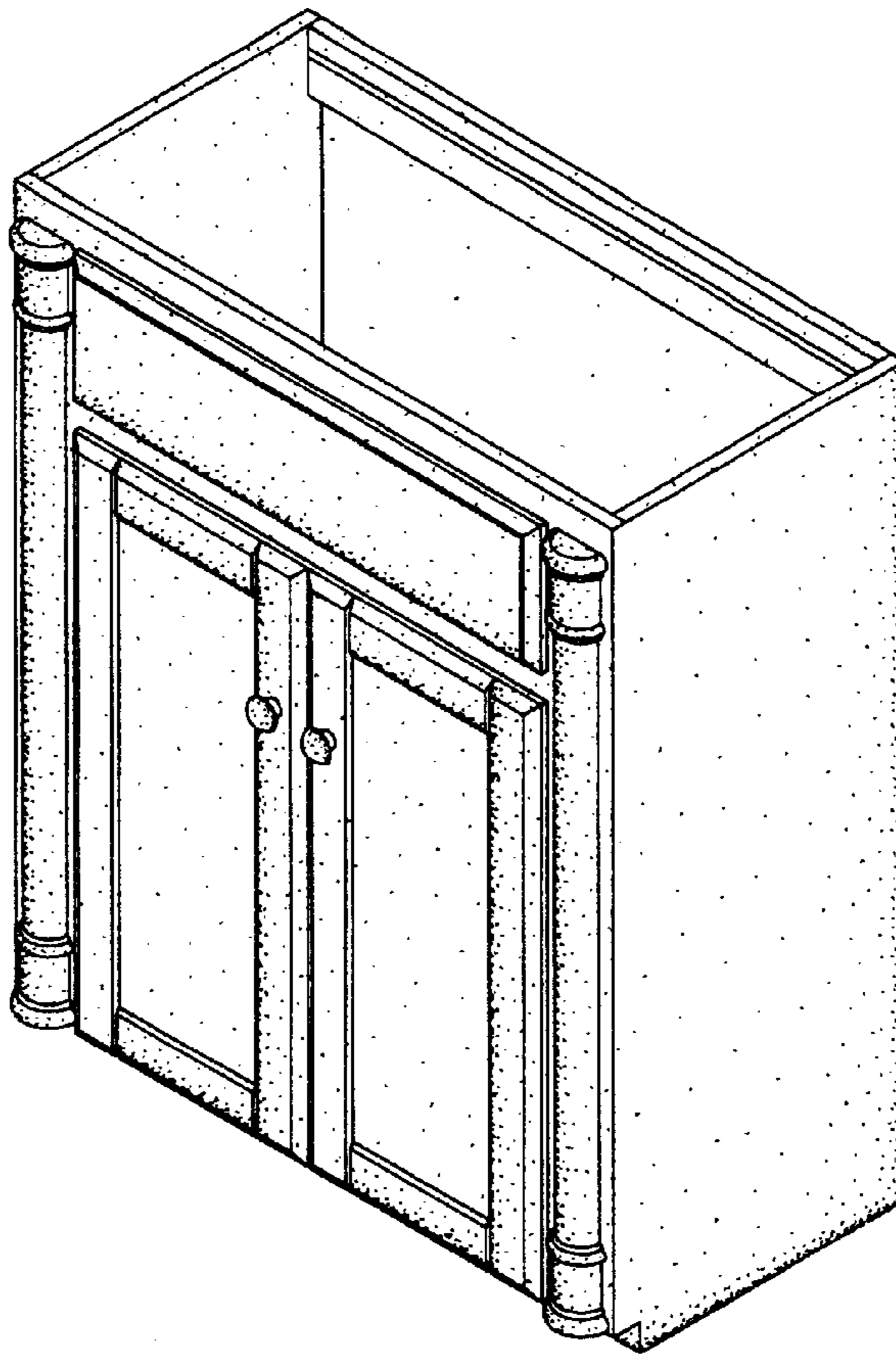


Fig. 2

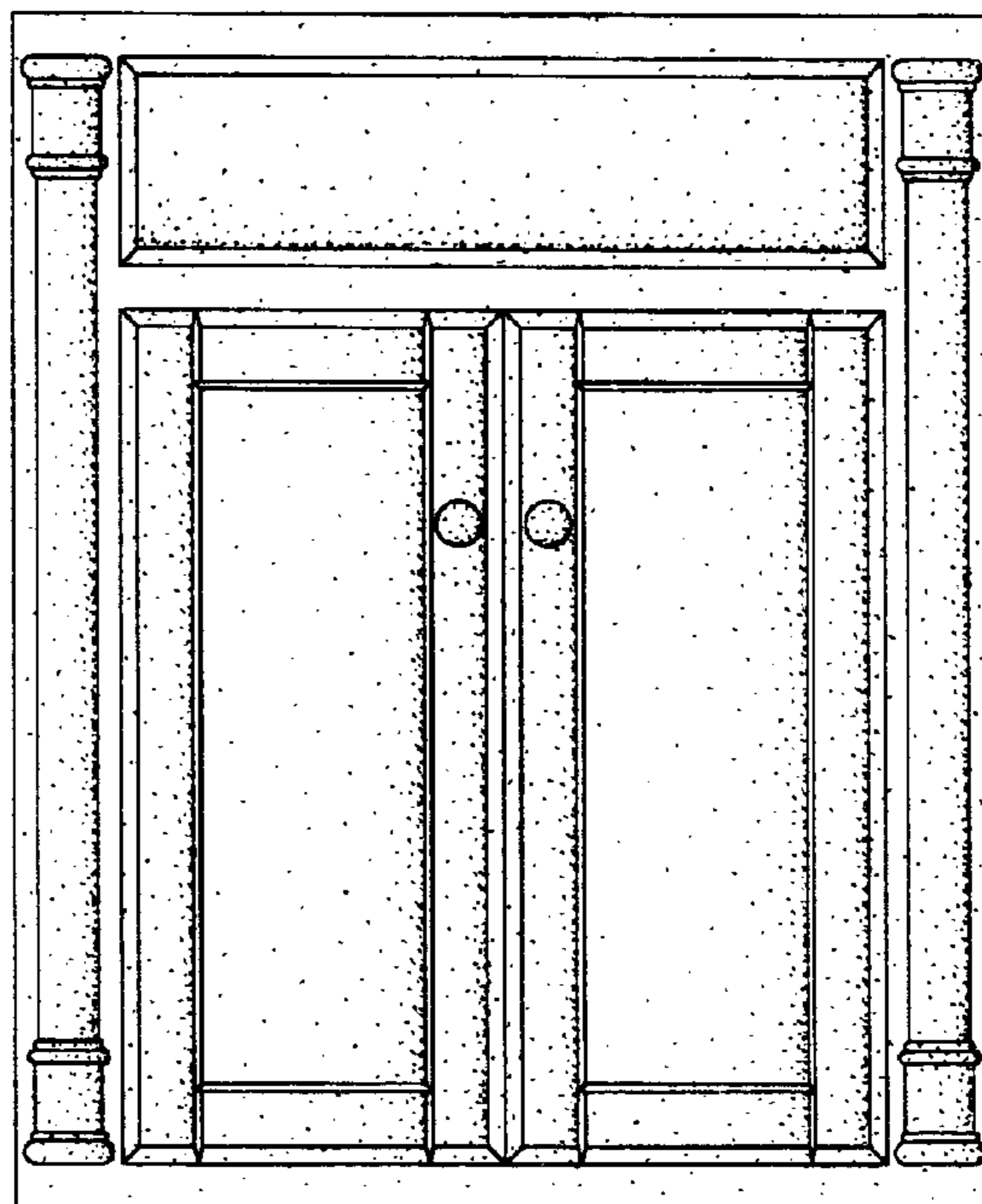


Fig. 3

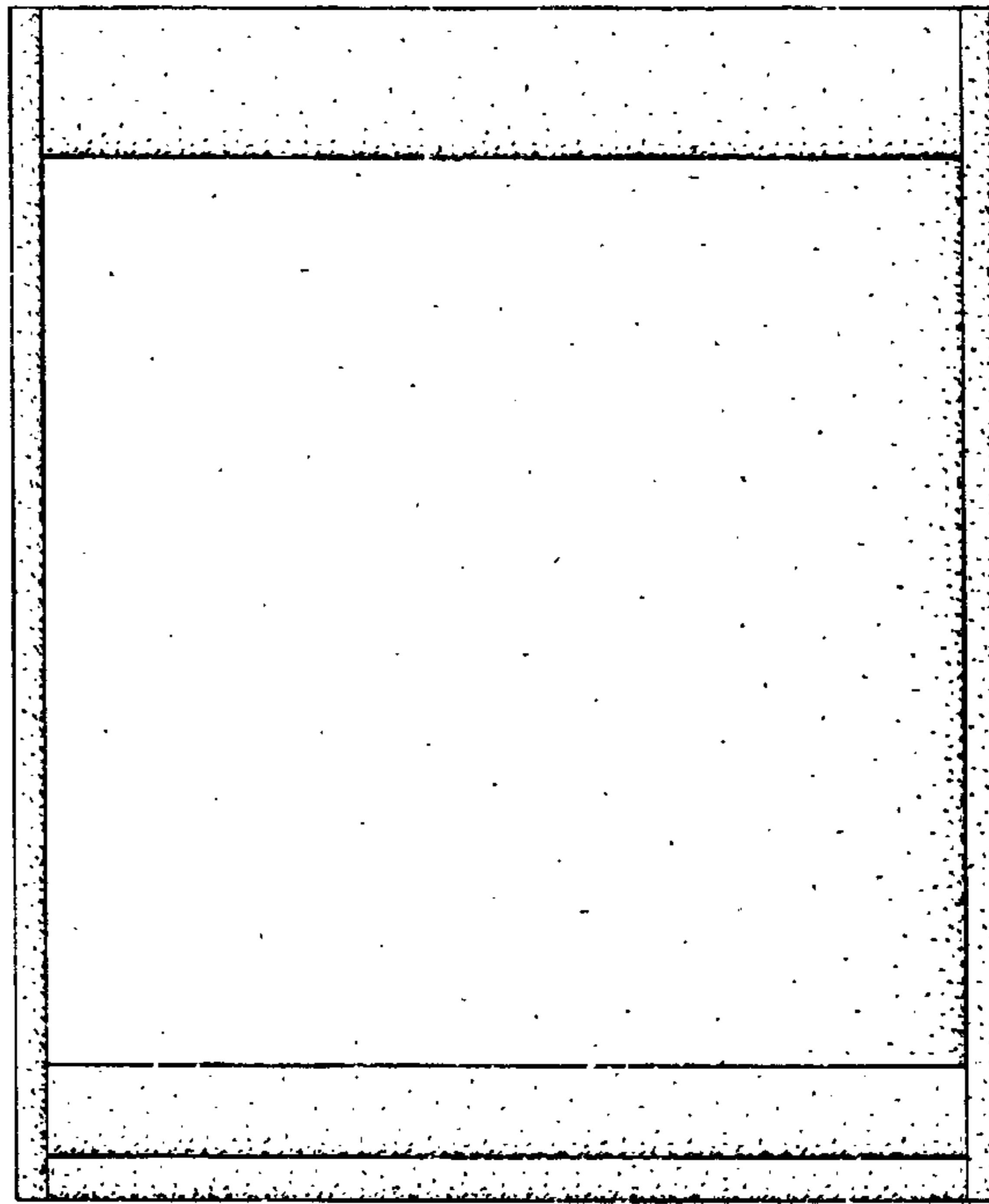
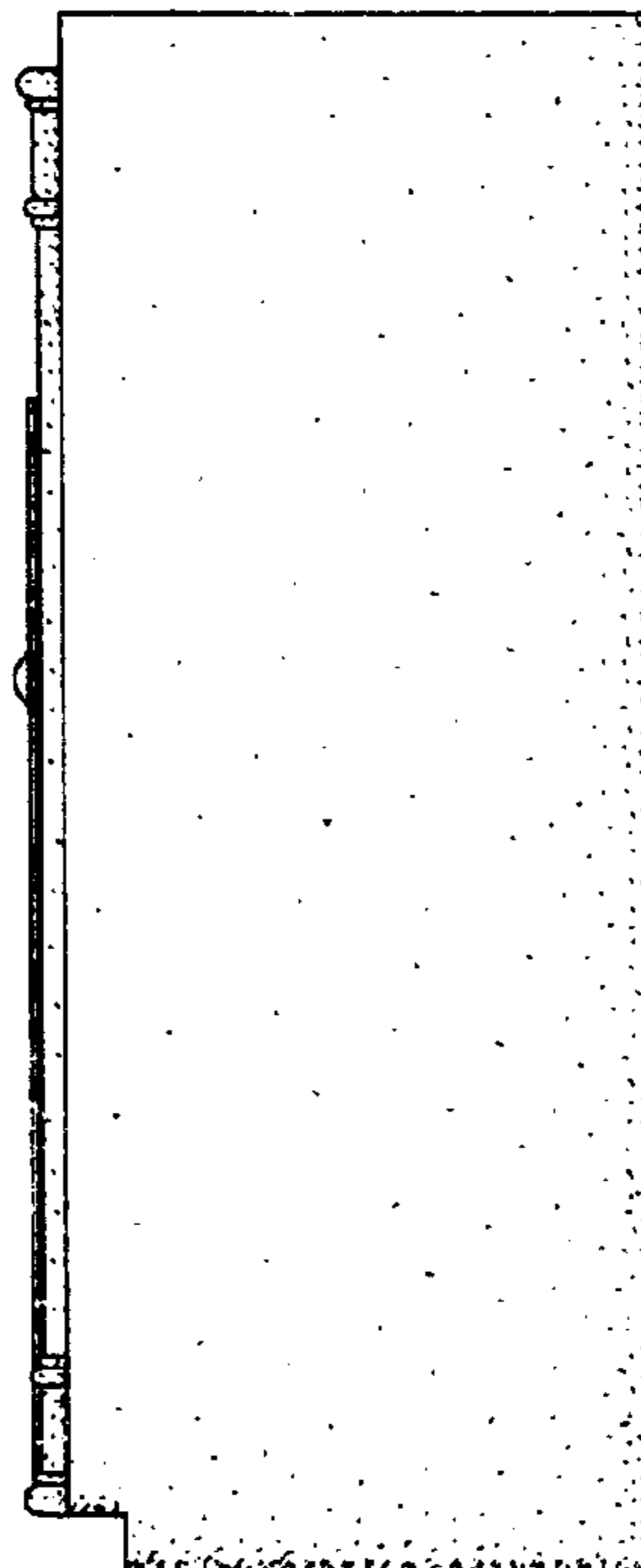


Fig. 4



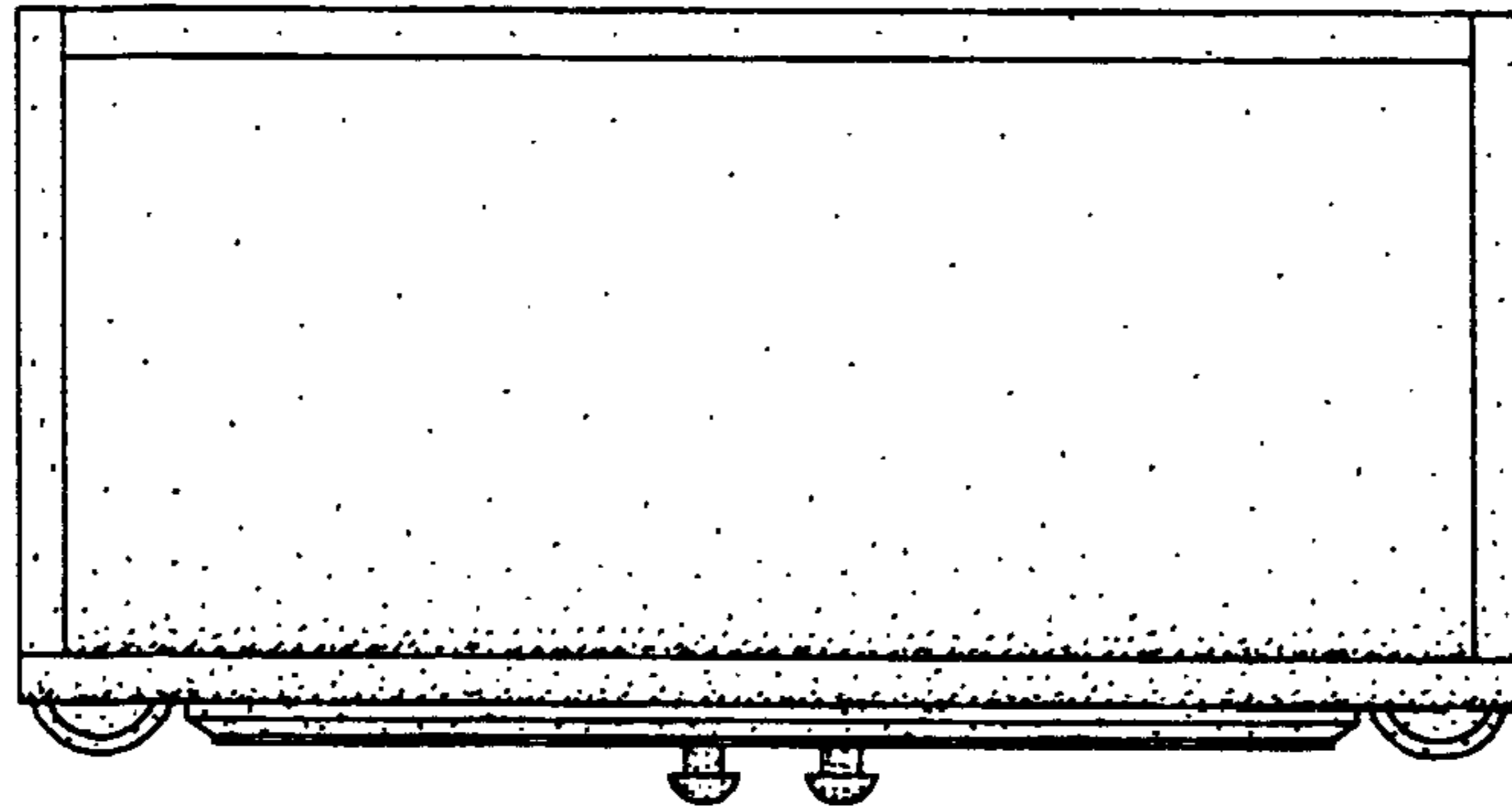


Fig. 5

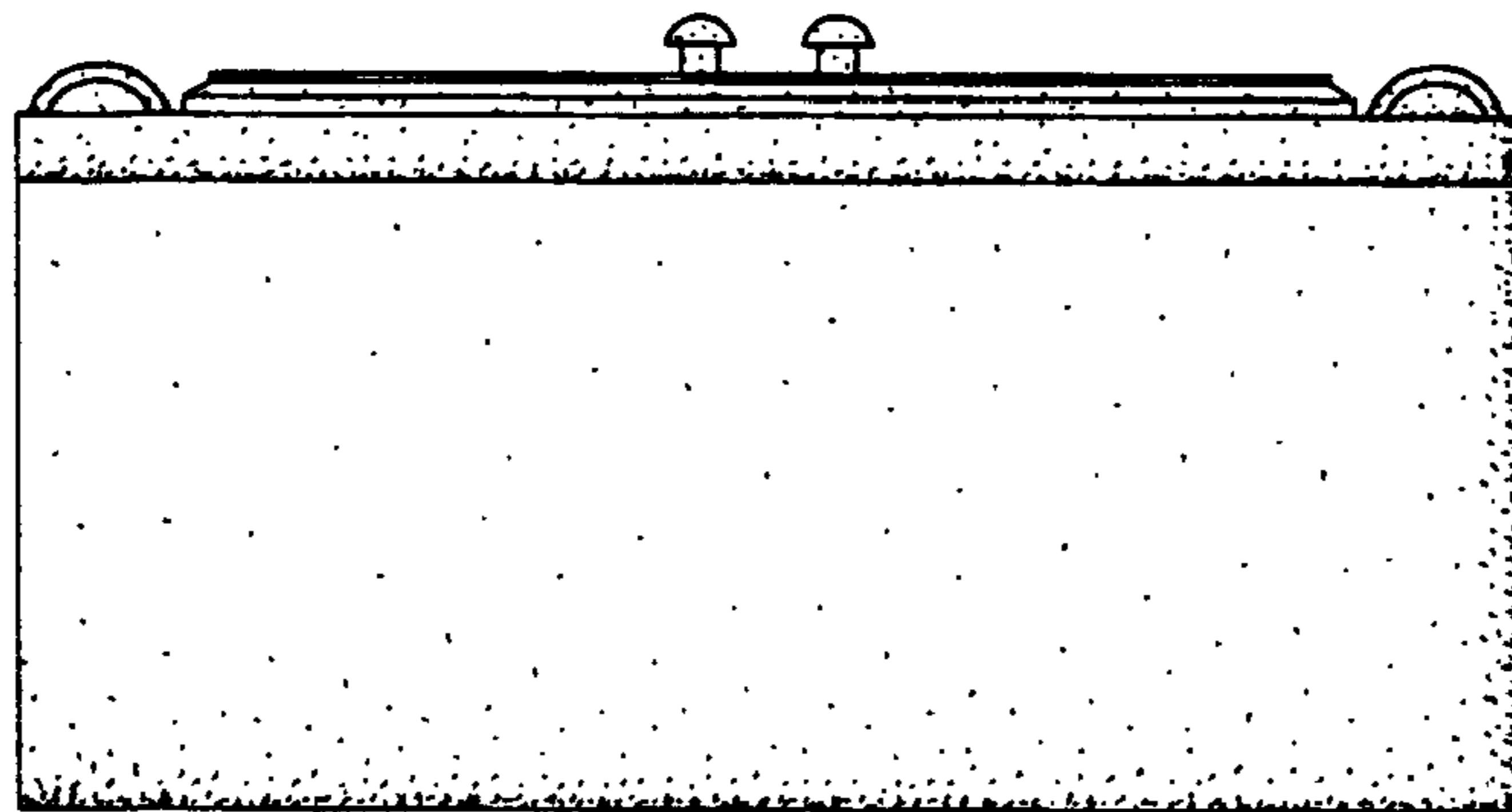


Fig. 6