



US00D454257S

(12) **United States Design Patent**
Hunt

(10) **Patent No.:** **US D454,257 S**

(45) **Date of Patent:** **** Mar. 12, 2002**

(54) **GARMENT HANGER**

(75) Inventor: **Willaim Joseph Hunt**, Stoke Poges
(GB)

(73) Assignee: **Braitrim (UK) Ltd.**, London (GB)

(**) Term: **14 Years**

(21) Appl. No.: **29/122,491**

(22) Filed: **Apr. 26, 2000**

(30) **Foreign Application Priority Data**

Oct. 29, 1999 (GB) 2087811

(51) **LOC (7) Cl.** **06-08**

(52) **U.S. Cl.** **D6/328; D6/326**

(58) **Field of Search** D6/315, 326, 328;
211/113; 223/95, 96, 85, 90, 91, 93

(56) **References Cited**

U.S. PATENT DOCUMENTS

D301,808 S * 6/1989 Marshall D6/326
D409,006 S * 5/1999 Blanchard D6/326
5,934,525 A * 8/1999 Blanchard 223/96

D415,357 S * 10/1999 Blanchard D6/326
5,992,714 A * 11/1999 Morgan 223/96
D424,817 S * 5/2000 Morgan et al. D6/328
6,116,482 A * 9/2000 Heiber
D440,409 S * 4/2001 Blanchard D6/326

* cited by examiner

Primary Examiner—B. J. Bullock

(74) *Attorney, Agent, or Firm*—Ladas & Parry

(57) **CLAIM**

I claim the ornamental design for a garment hanger, as shown and described.

DESCRIPTION

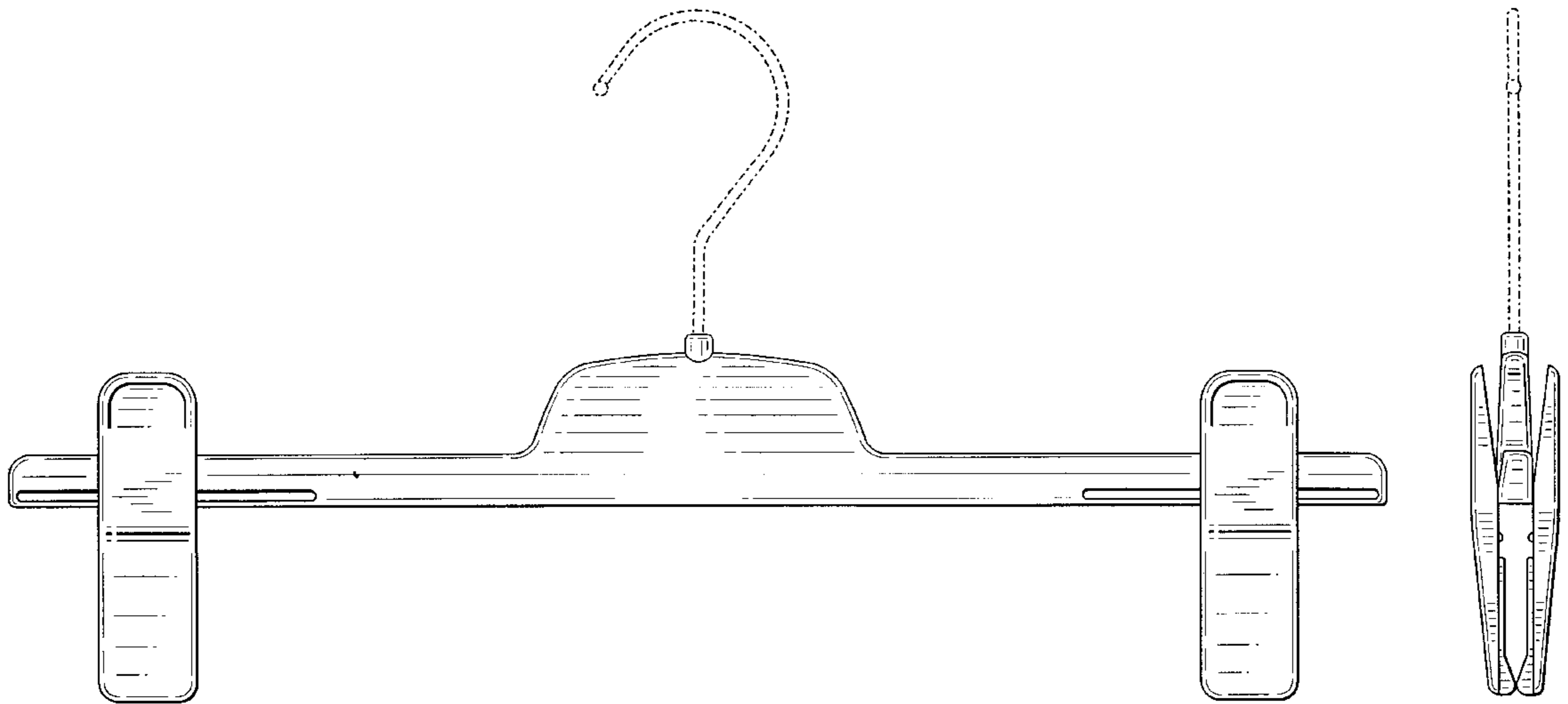
FIG. 1 is a front elevational view of a garment hanger showing my new design;

FIG. 2 is a left-side elevational view thereof, the right-side elevational view being a mirror image and, therefore, not shown; and,

FIG. 3 is a top plan view thereof.

The broken lines are for environmental purpose only and form no part of the claimed design.

1 Claim, 1 Drawing Sheet



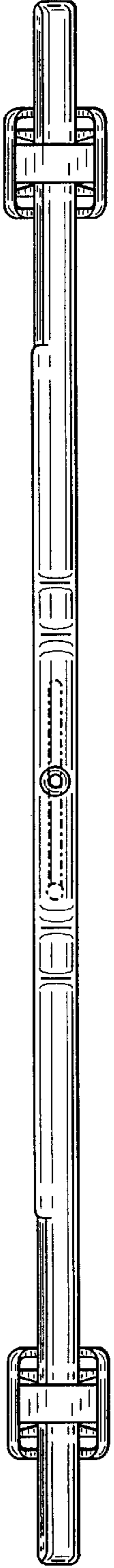


FIG. 3

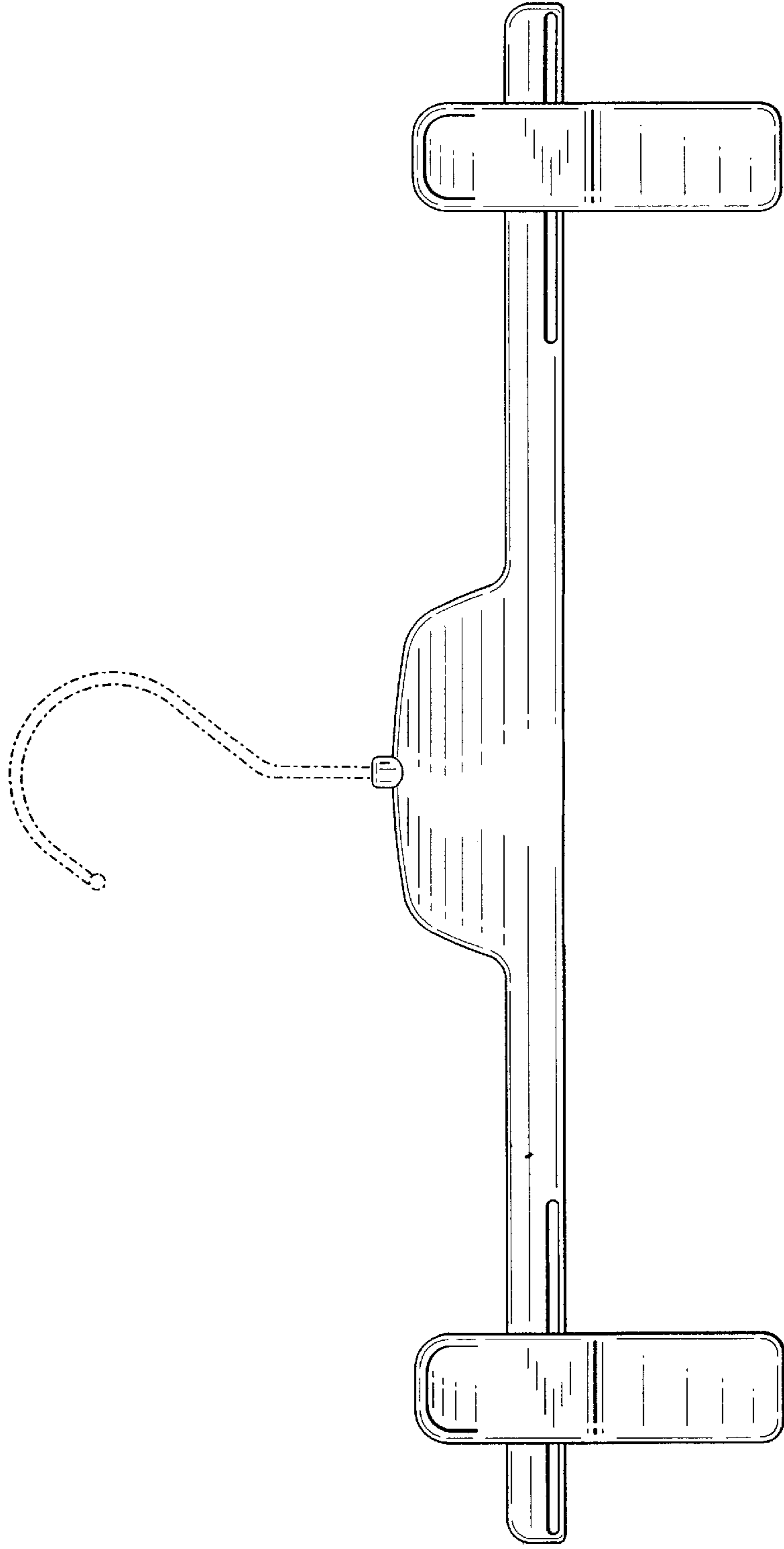


FIG. 1

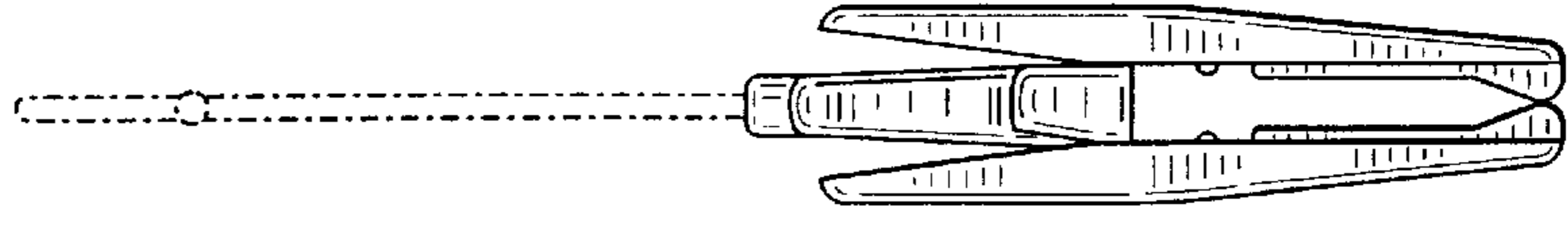


FIG. 2