



US00D454254S

(12) **United States Design Patent**
Hellinger et al.

(10) **Patent No.:** **US D454,254 S**

(45) **Date of Patent:** **** Mar. 12, 2002**

(54) **COMPUTER SCREEN AND KEYBOARD
DUSTING BRUSH**

(75) Inventors: **Gary L. Hellinger**, Greenwich, CT
(US); **Edward A. Wagschal**, New York,
NY (US)

(73) Assignee: **Gary Plastic Packaging Corp.**, Bronx,
NY (US)

(**) Term: **14 Years**

(21) Appl. No.: **29/141,146**

(22) Filed: **May 2, 2001**

(51) **LOC (7) Cl.** **04-01**

(52) **U.S. Cl.** **D4/138**

(58) **Field of Search** D4/132, 135, 138;
D32/40, 52, 35; 15/1.51, 1.52, 143.1, 159.1,
160, 186, 187, 209.1, 210.1

(56) **References Cited**

U.S. PATENT DOCUMENTS

763,888 A	6/1904	Hayden	
885,726 A	4/1908	McDonald	
1,555,417 A	9/1925	Johnston	
1,639,718 A	8/1927	Bacorn	
2,154,373 A	4/1939	Bulleigh	15/118
2,156,270 A	5/1939	Smith	15/209.1
2,190,277 A	2/1940	Viragh	15/167.1
2,526,468 A	10/1950	Frye	15/210.1
2,817,864 A	12/1957	Morton	15/111
2,826,774 A	3/1958	Skrainka	15/105
2,877,482 A	3/1959	Roy	15/220.3
2,886,840 A	5/1959	Spratlin	15/160
2,958,886 A	11/1960	Taylor	15/104.92
2,977,127 A	3/1961	Mertes	15/210.1
3,289,236 A	12/1966	Salka	15/210.1
3,333,289 A	8/1967	Maughan	15/160
3,961,392 A *	6/1976	Young	15/160
3,965,520 A	6/1976	Maier	15/101.94
4,075,730 A	2/1978	Siemund	15/245
4,317,250 A	3/1982	Shutts	15/244.1
4,430,769 A	2/1984	Bergström	15/245
4,495,668 A	1/1985	Adams	15/105
D280,109 S	8/1985	Lewis et al.	D18/99

4,890,348 A	1/1990	Racioppi	15/160
D305,964 S *	2/1990	Hurwitz	D4/135
D318,762 S	8/1991	Rueb et al.	D4/135
5,140,717 A	8/1992	Castagliola	15/209.1
D343,297 S	1/1994	Haines	D4/116
5,321,868 A	6/1994	Coulson et al.	15/245.1
5,341,538 A	8/1994	Banome	15/210.1
D354,595 S	1/1995	Wasak	D32/52
5,487,203 A	1/1996	Brach, Jr. et al.	15/245
5,528,793 A	6/1996	Schbot	15/245
5,924,153 A	7/1999	Salley	15/1.52
6,058,550 A	5/2000	Kruger et al.	15/160
D427,400 S	6/2000	Stapleton et al.	D32/35
D428,678 S	7/2000	Stapleton et al.	D32/35
6,182,320 B1	2/2001	Kruger et al.	15/160

FOREIGN PATENT DOCUMENTS

GB	11600	8/1884	15/160
GB	9541	8/1894	15/160
WO	WO88/03771	6/1988	15/160

* cited by examiner

Primary Examiner—Alan P. Douglas

Assistant Examiner—Lavone Tabor

(74) *Attorney, Agent, or Firm*—Fish & Neave; Jeffrey H. Ingerman

(57) **CLAIM**

The ornamental design for a computer screen and keyboard dusting brush, as shown and described.

DESCRIPTION

FIG. 1 is a top, front, left perspective view of a computer screen and keyboard dusting brush showing our new design; FIG. 2 is a top, rear, right perspective view thereof; FIG. 3 is a front elevational view thereof; FIG. 4 is a right side elevational view thereof, the left side being a mirror image; FIG. 5 is a bottom plan view thereof; FIG. 6 is a rear elevational view thereof; and, FIG. 7 is a top plan view thereof.

The subject matter shown in broken line represents unclaimed environmental structure which is shown for illustrative purposes and forms no part of the claimed design.

1 Claim, 3 Drawing Sheets

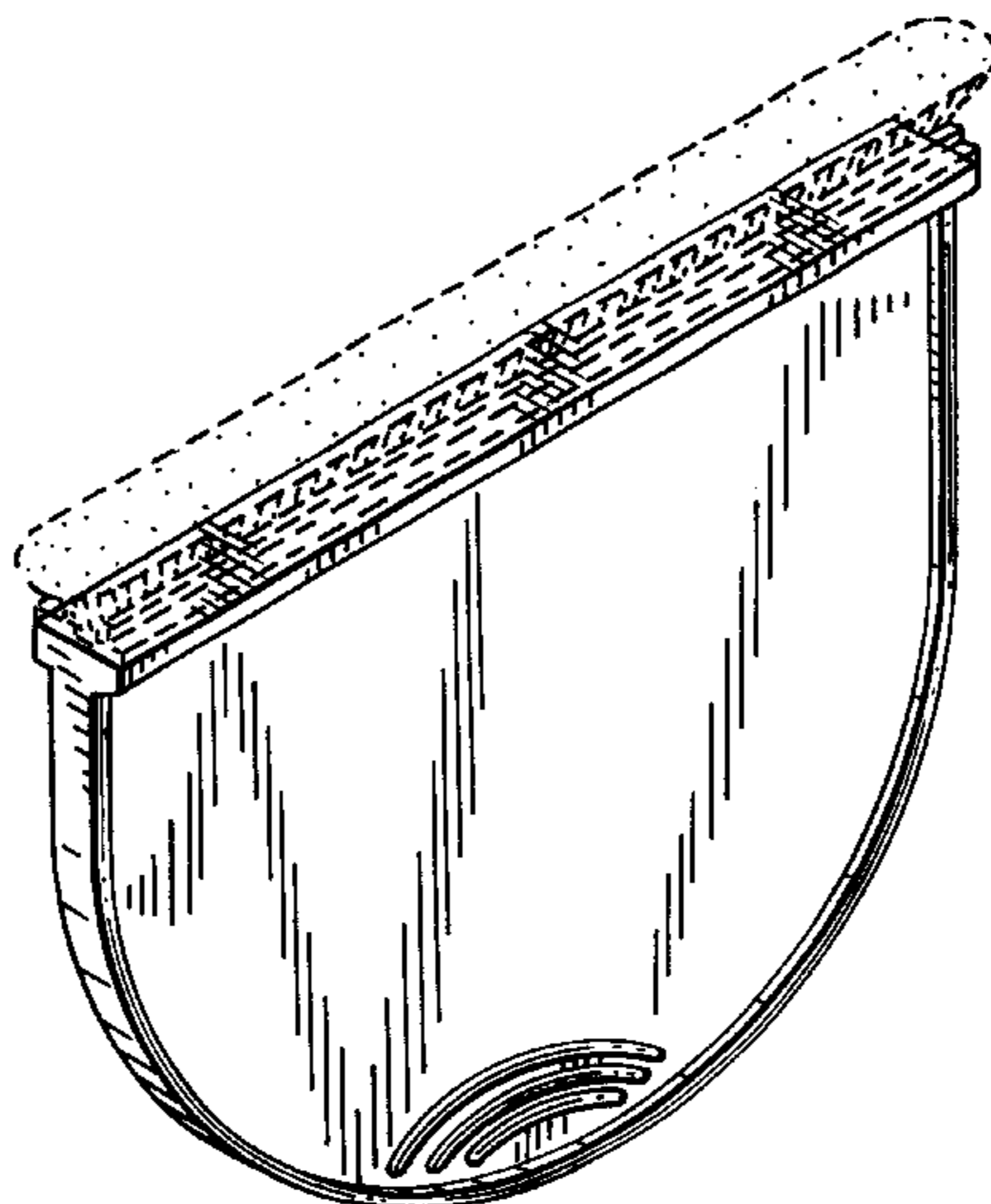


FIG. 1

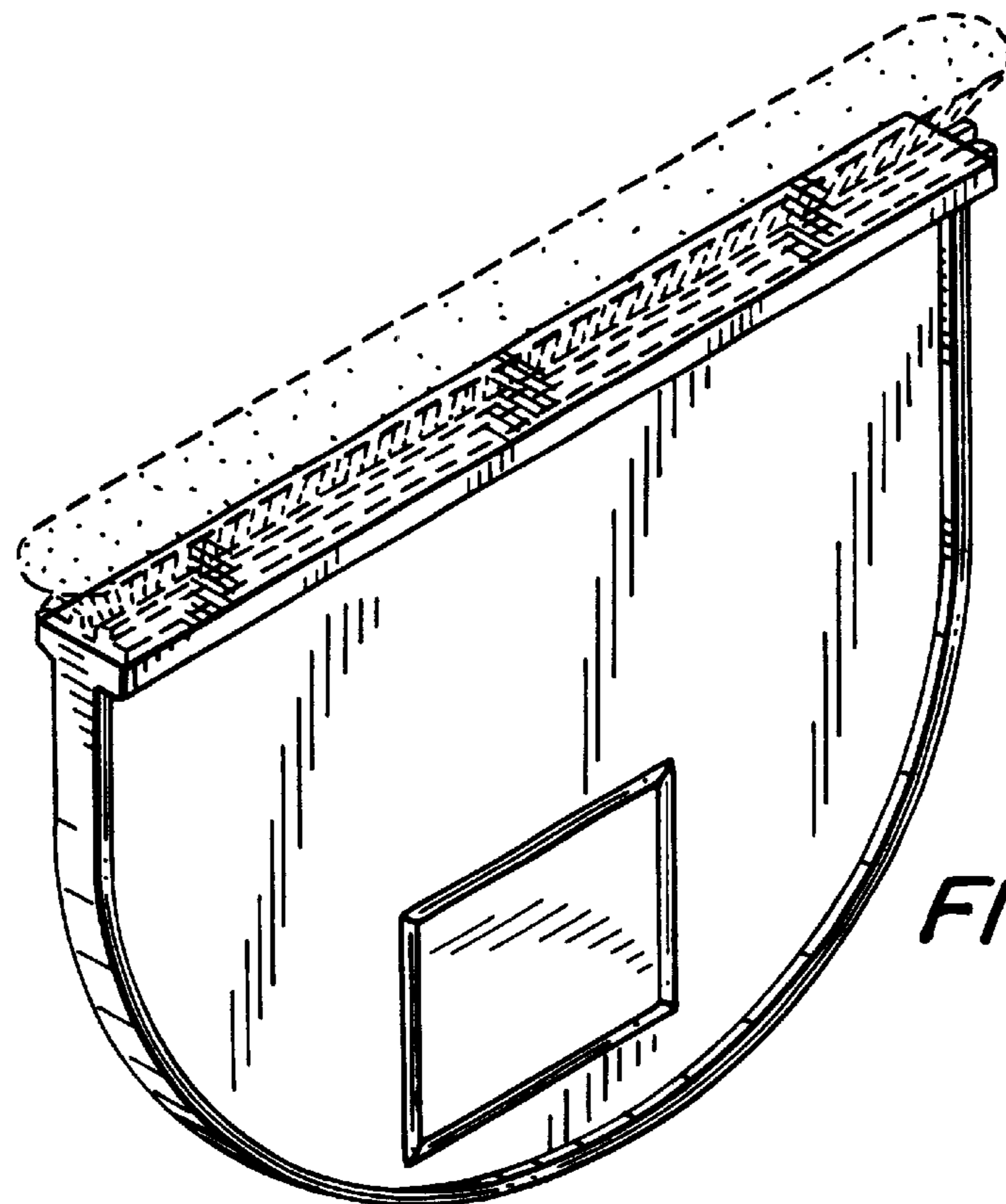
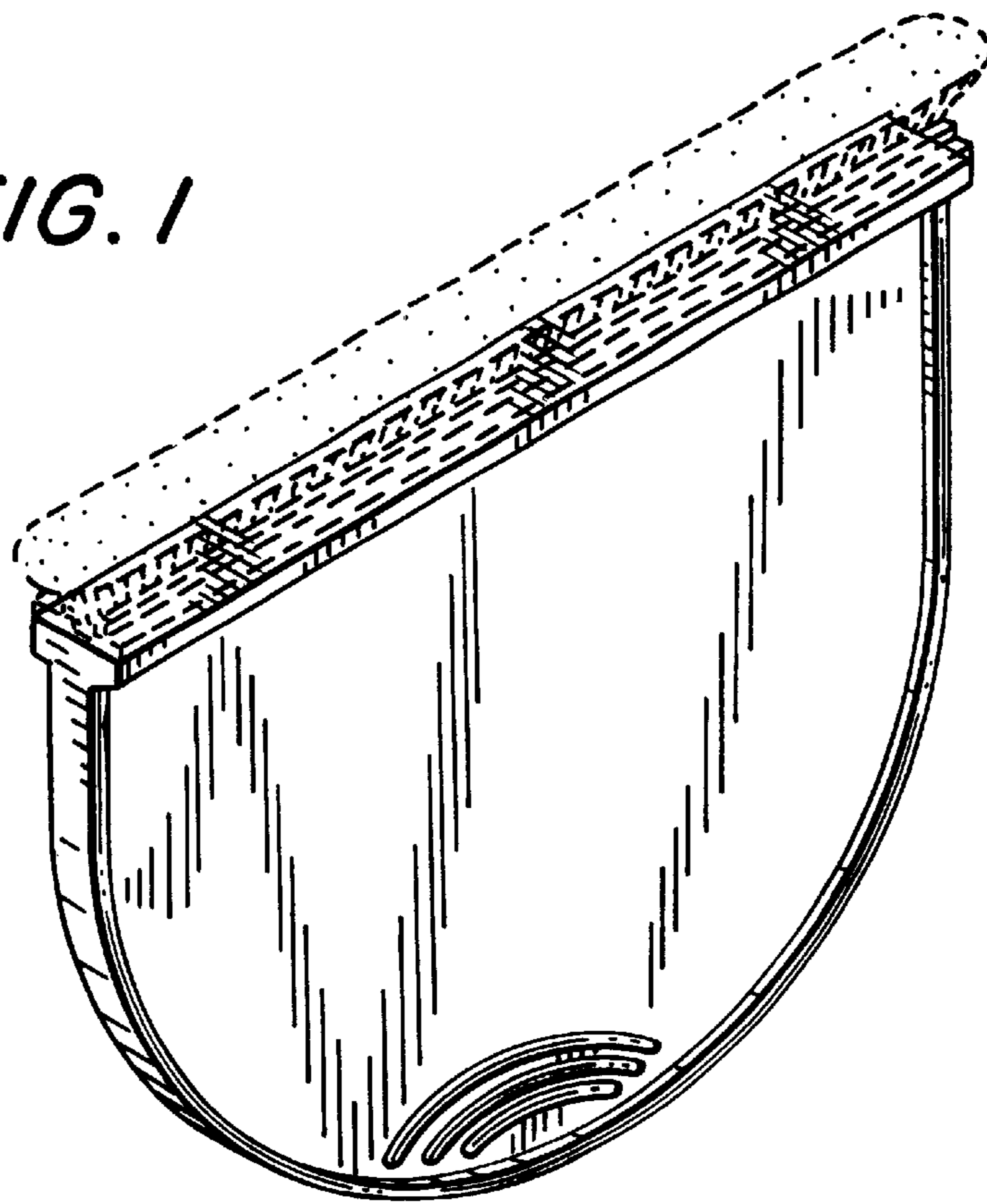


FIG. 2

FIG. 3

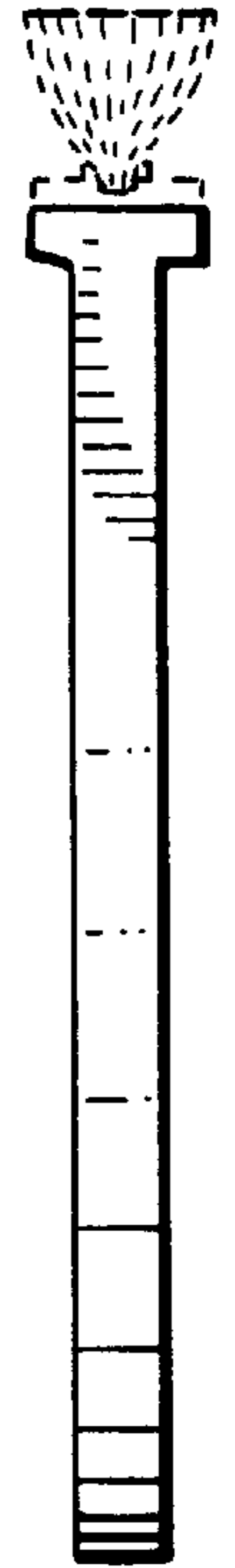
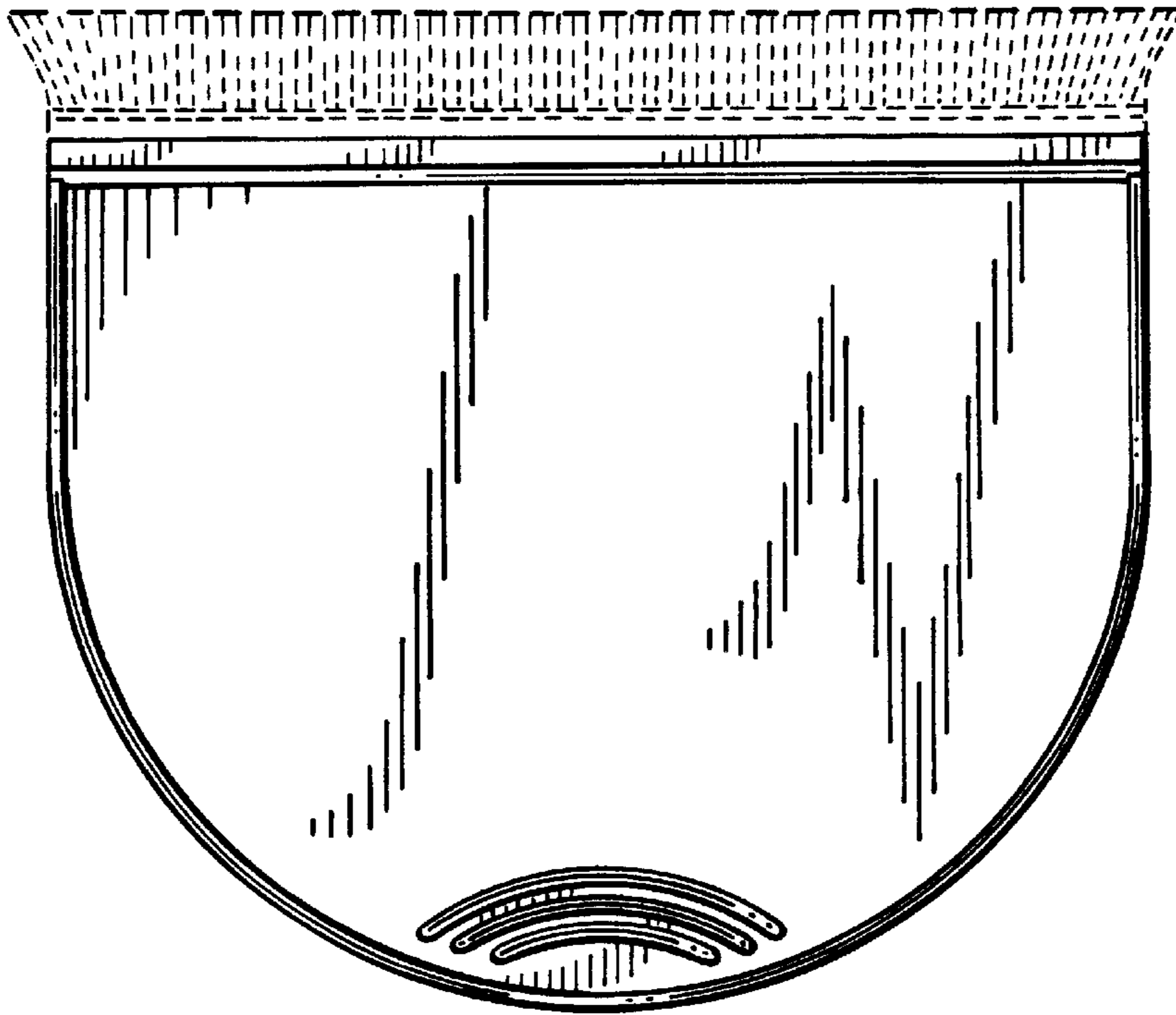


FIG. 4

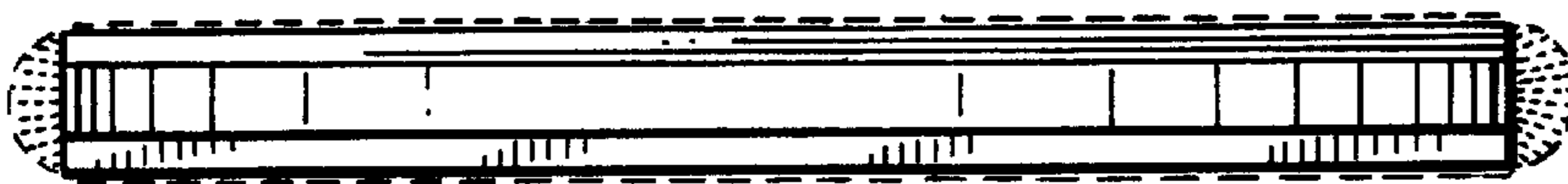


FIG. 5

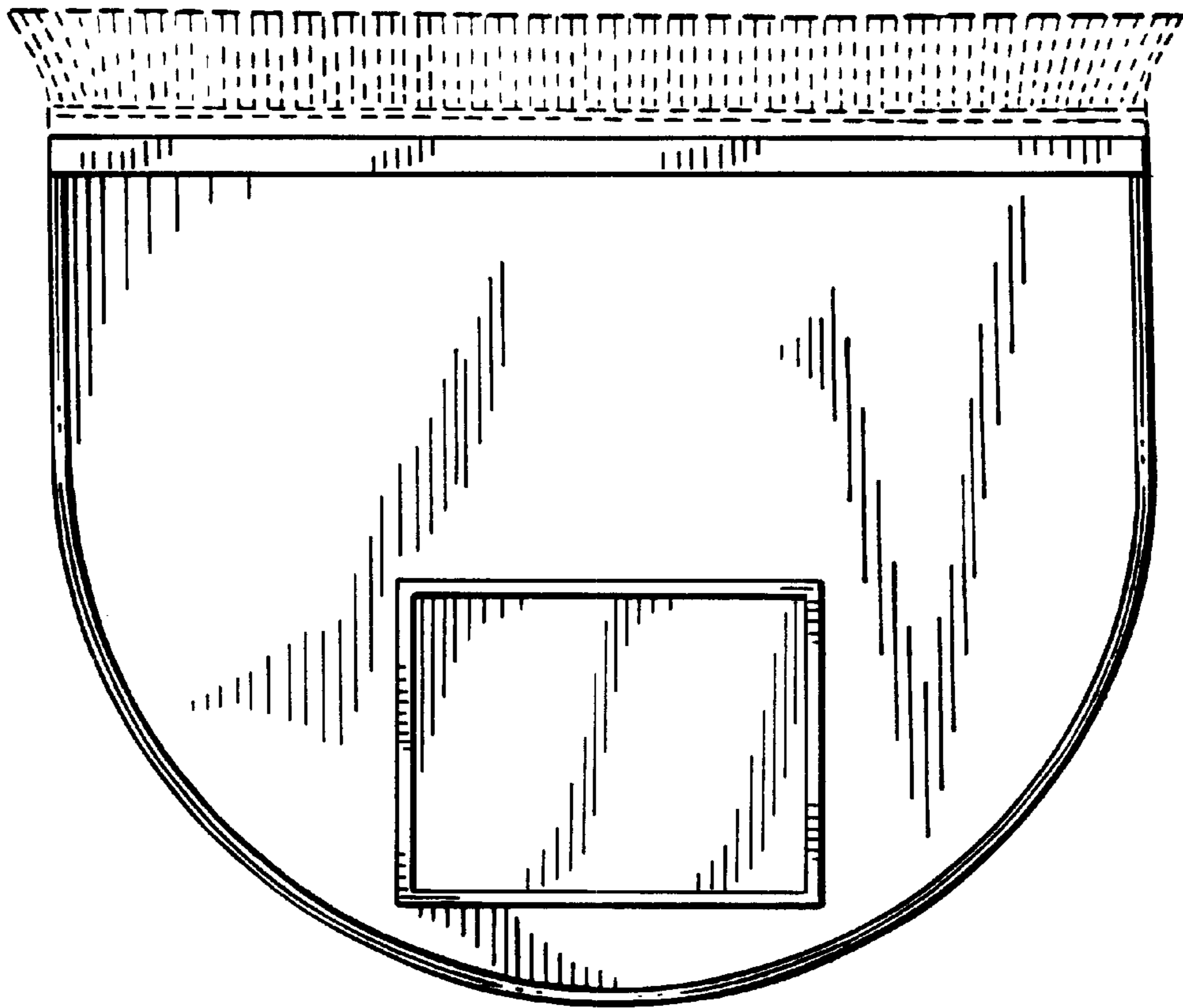


FIG. 6

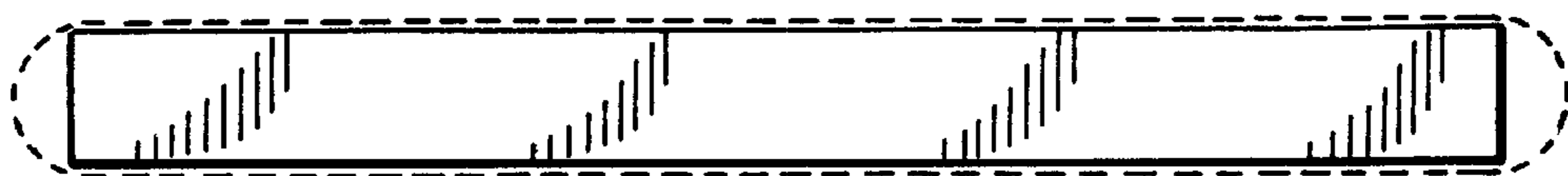


FIG. 7