



US00D454249S

(12) **United States Design Patent**  
**Schmidt**

(10) **Patent No.:** **US D454,249 S**

(45) **Date of Patent:** **\*\* Mar. 12, 2002**

(54) **GOLF BAG DIVIDER TOP**

D412,789 S \* 8/1999 Suk ..... D3/320  
D431,111 S \* 9/2000 Ryan ..... D3/320

(75) Inventor: **Gregory J. Schmidt**, Glendale, AZ  
(US)

\* cited by examiner

(73) Assignee: **Karsten Manufacturing Corporation**,  
Phoenix, AZ (US)

*Primary Examiner*—Catherine R. Oliver  
(74) *Attorney, Agent, or Firm*—Darrell F. Marquette

(\*\*) Term: **14 Years**

(57) **CLAIM**

(21) Appl. No.: **29/139,598**

The ornamental design for a golf bag divider top, as shown and described.

(22) Filed: **Apr. 3, 2001**

**DESCRIPTION**

(51) **LOC (7) Cl.** ..... **03-99**

(52) **U.S. Cl.** ..... **D3/320**

(58) **Field of Search** ..... D3/320, 255, 259;  
206/315.2–315.7; 248/96

FIG. 1 is a perspective view of a golf bag divider top showing my new design;

FIG. 2 is a top plan view of the golf bag divider top of FIG. 1;

FIG. 3 is a front elevational view of the golf bag divider top of FIG. 1;

FIG. 4 is a side elevational view of the golf bag divider top taken from the right in FIG. 1;

FIG. 5 is a side elevational view of the golf bag divider top taken from the left in FIG. 1;

FIG. 6 is a rear elevational view of the golf bag divider top of FIG. 1; and,

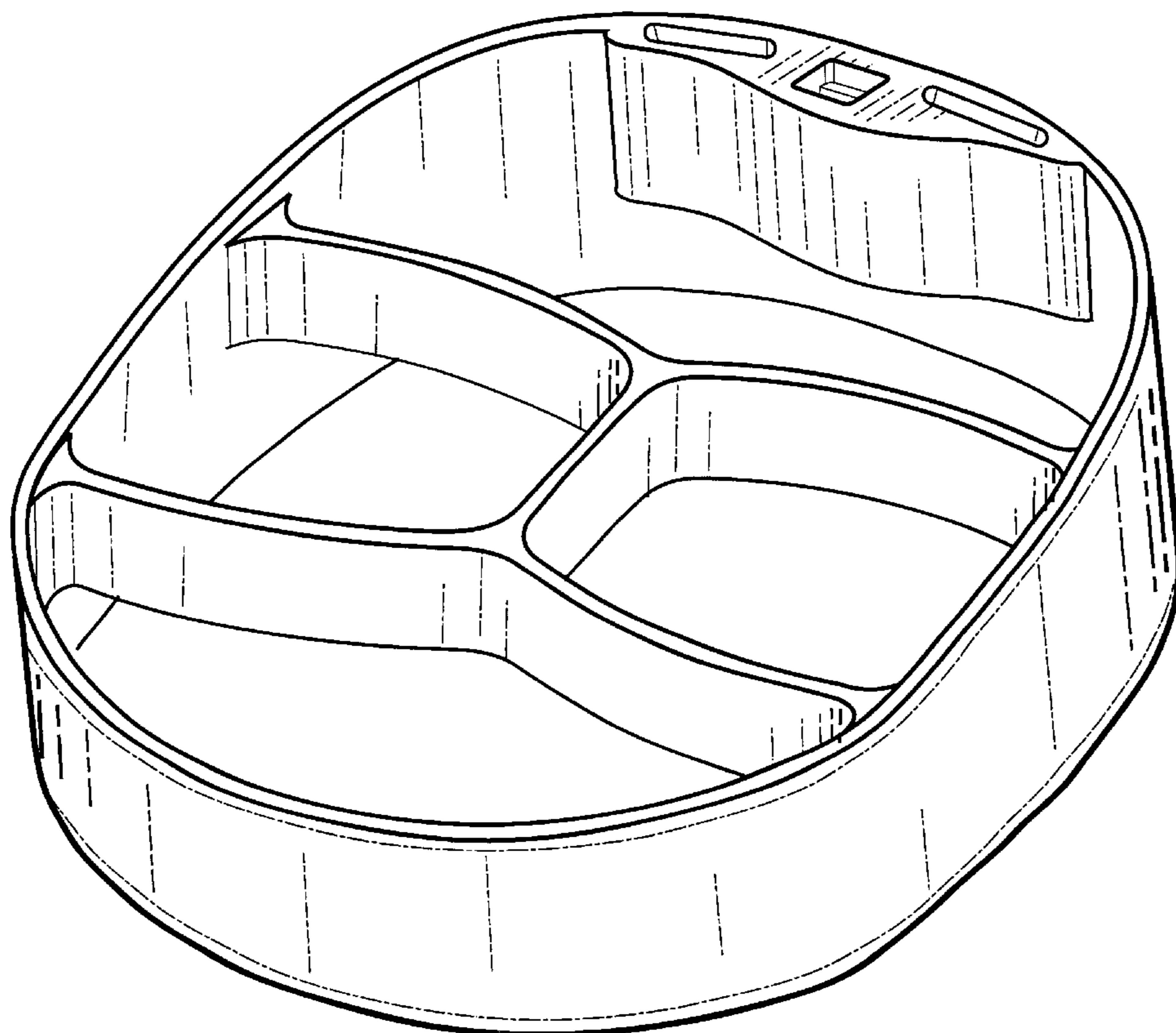
FIG. 7 is a bottom view of the golf bag divider top of FIG. 1.

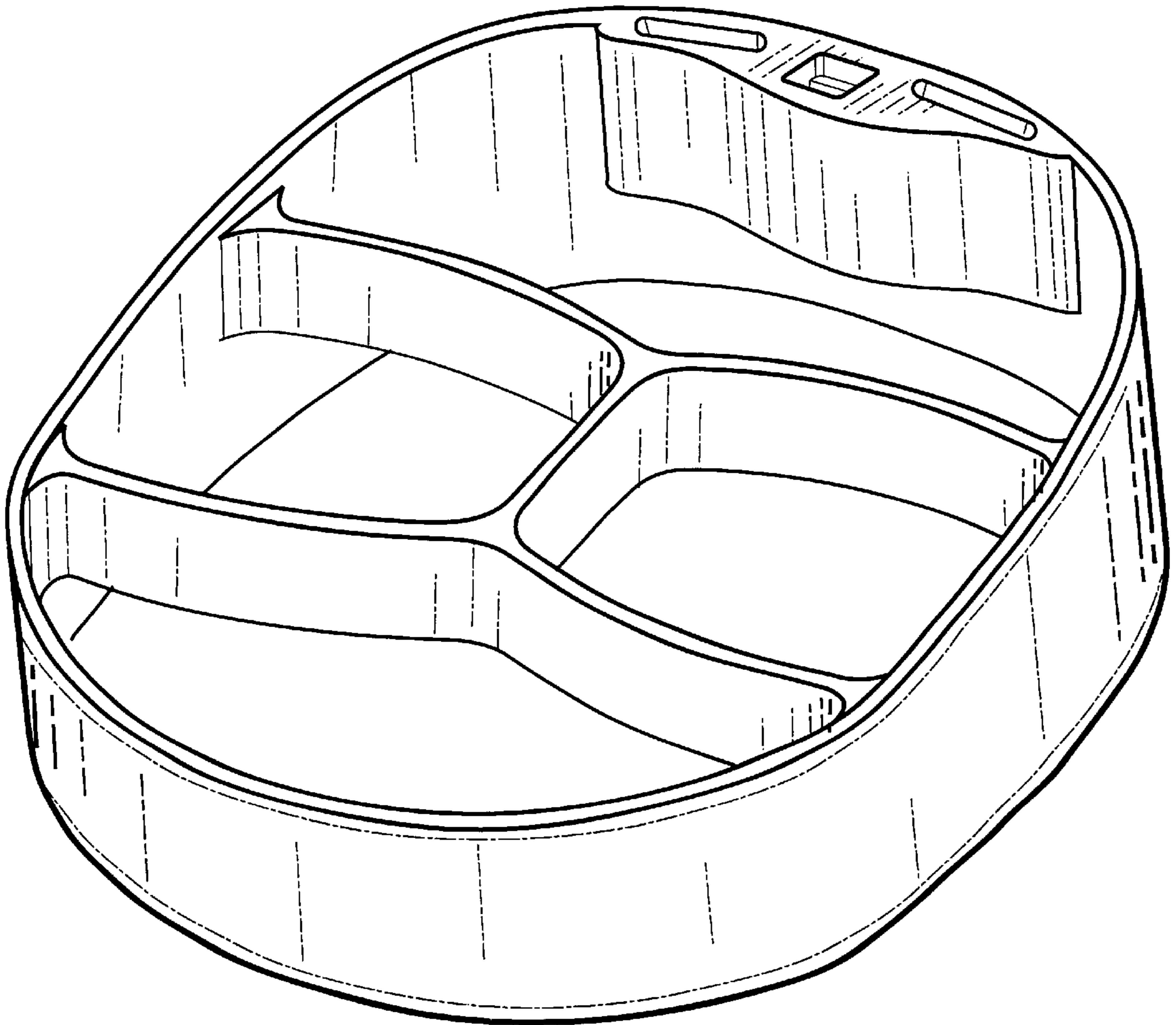
(56) **References Cited**

**U.S. PATENT DOCUMENTS**

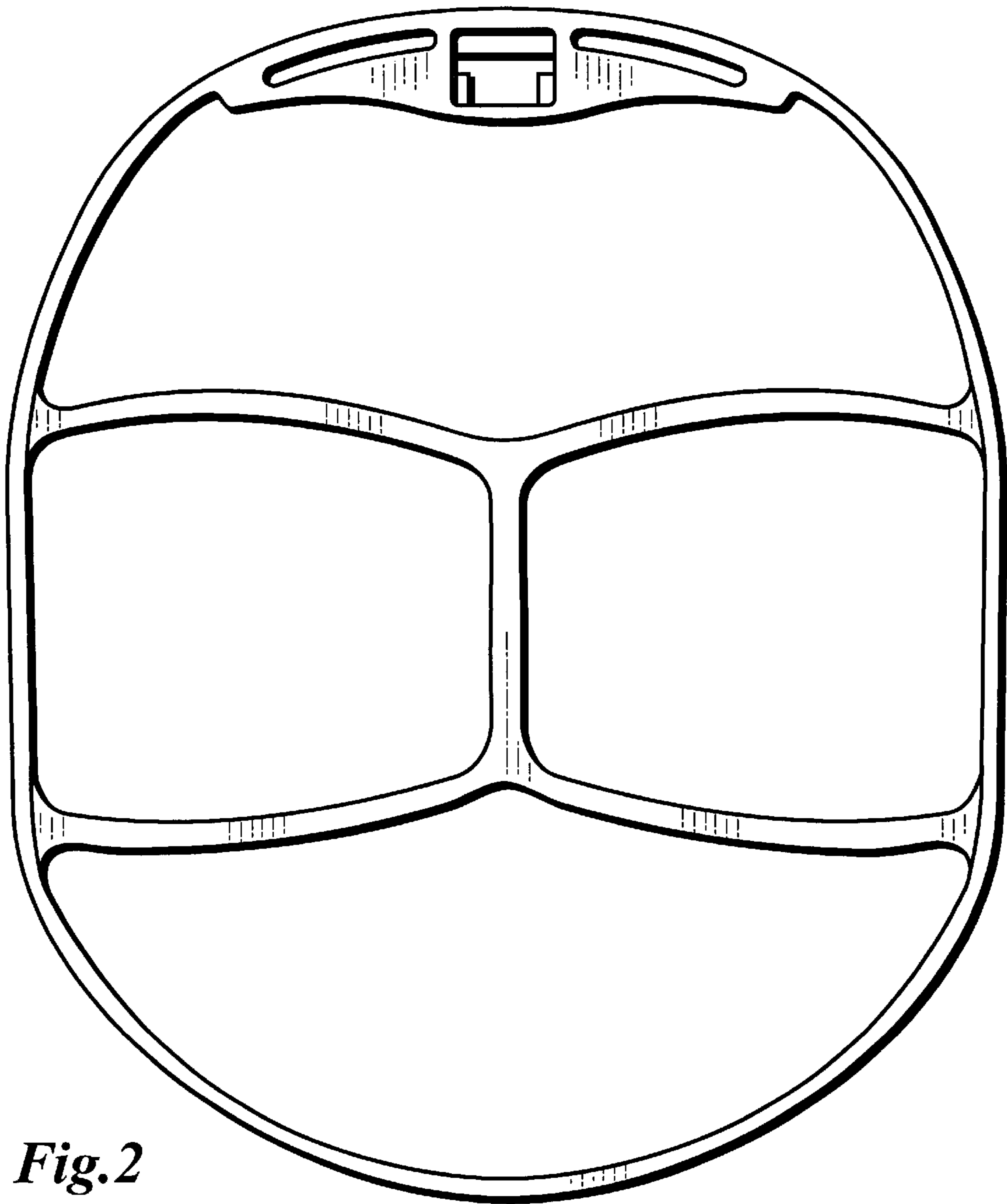
4,596,328	A	6/1986	Solheim	.....	206/315.6
4,600,100	A	7/1986	Solheim	.....	206/315.6
4,667,820	A	5/1987	Solheim	.....	206/315.6
4,834,235	A	5/1989	Solheim et al.	.....	206/315.7
4,844,253	A	* 7/1989	Reimers	.....	206/316.6
5,501,328	A	3/1996	Keller et al.	.....	206/315.6
D387,556	S	12/1997	Beebe et al.	.....	D3/255
D402,469	S	* 12/1998	Suk	.....	D3/320
D405,607	S	* 2/1999	Sundara et al.	.....	D3/255

**1 Claim, 4 Drawing Sheets**

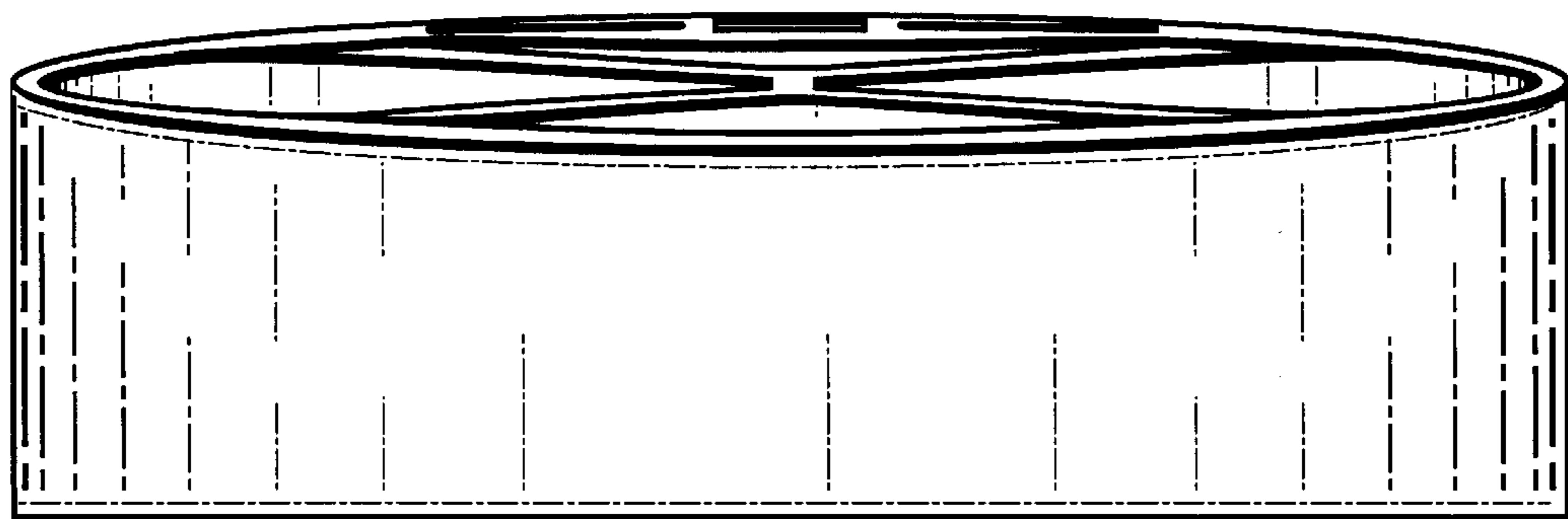




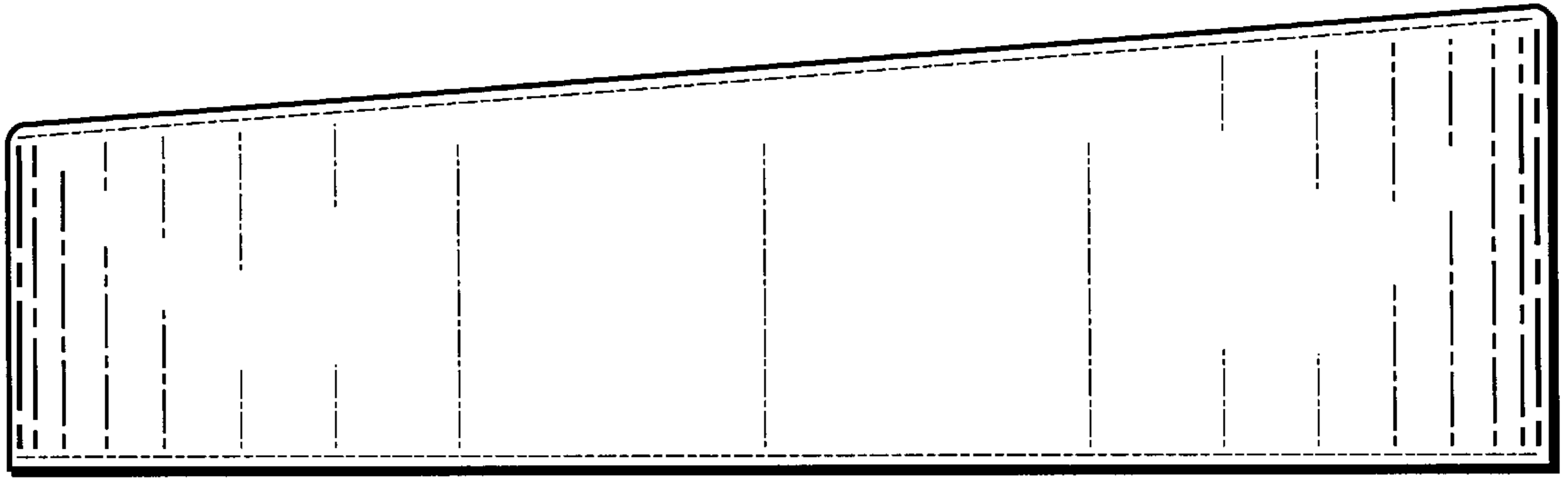
*Fig. 1*



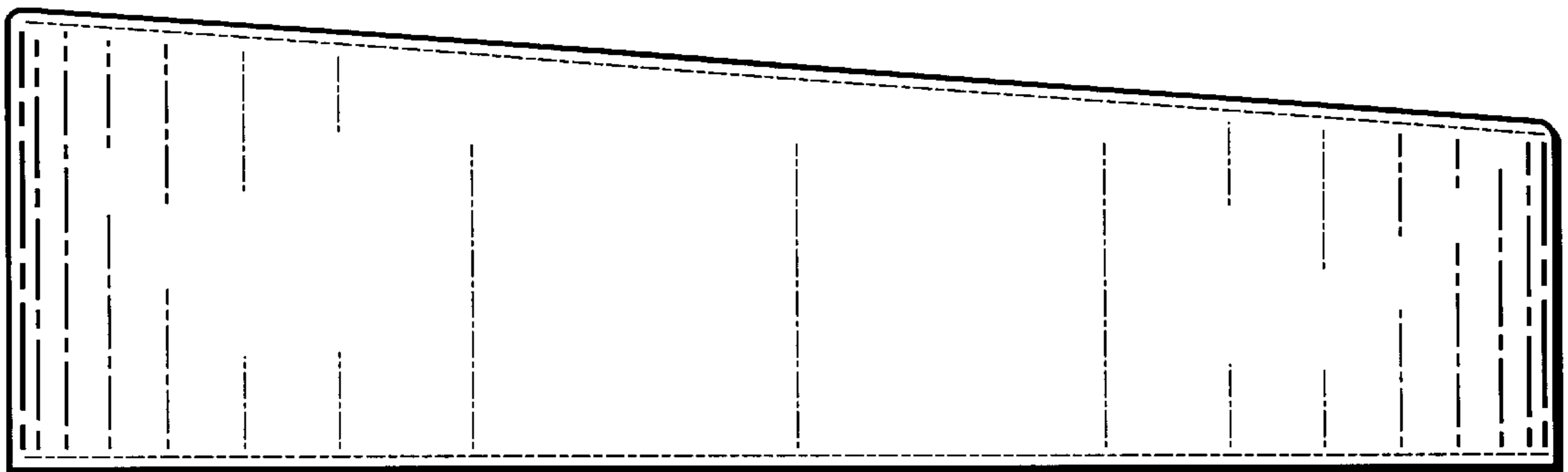
*Fig. 2*



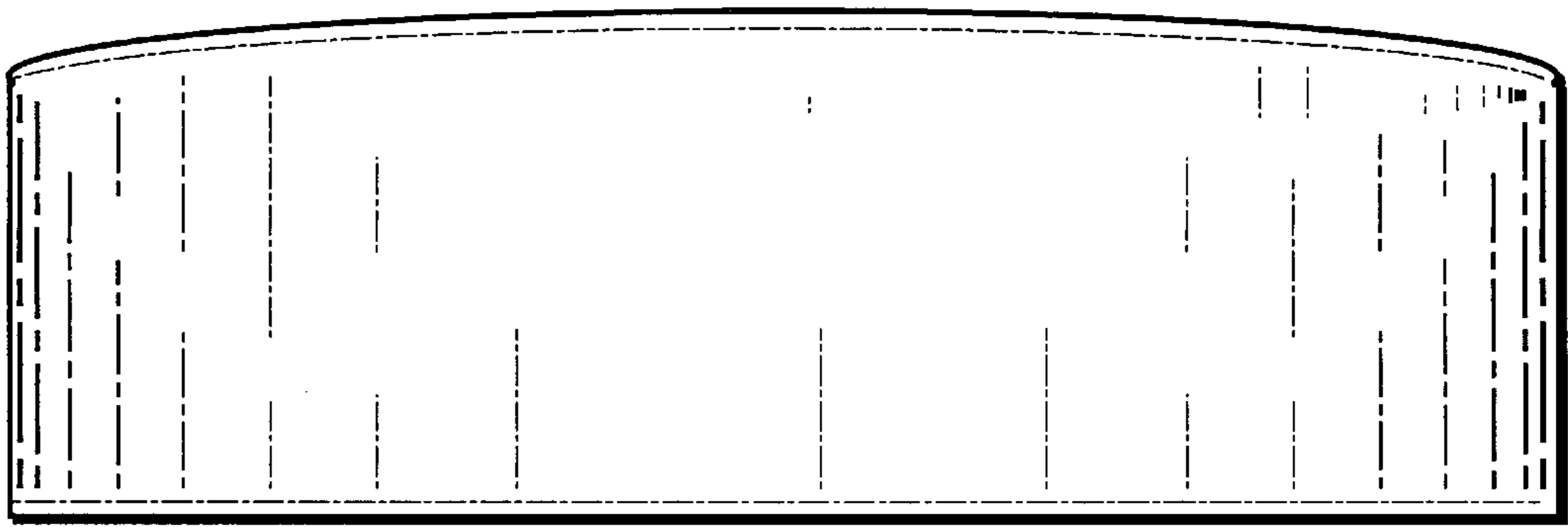
*Fig. 3*



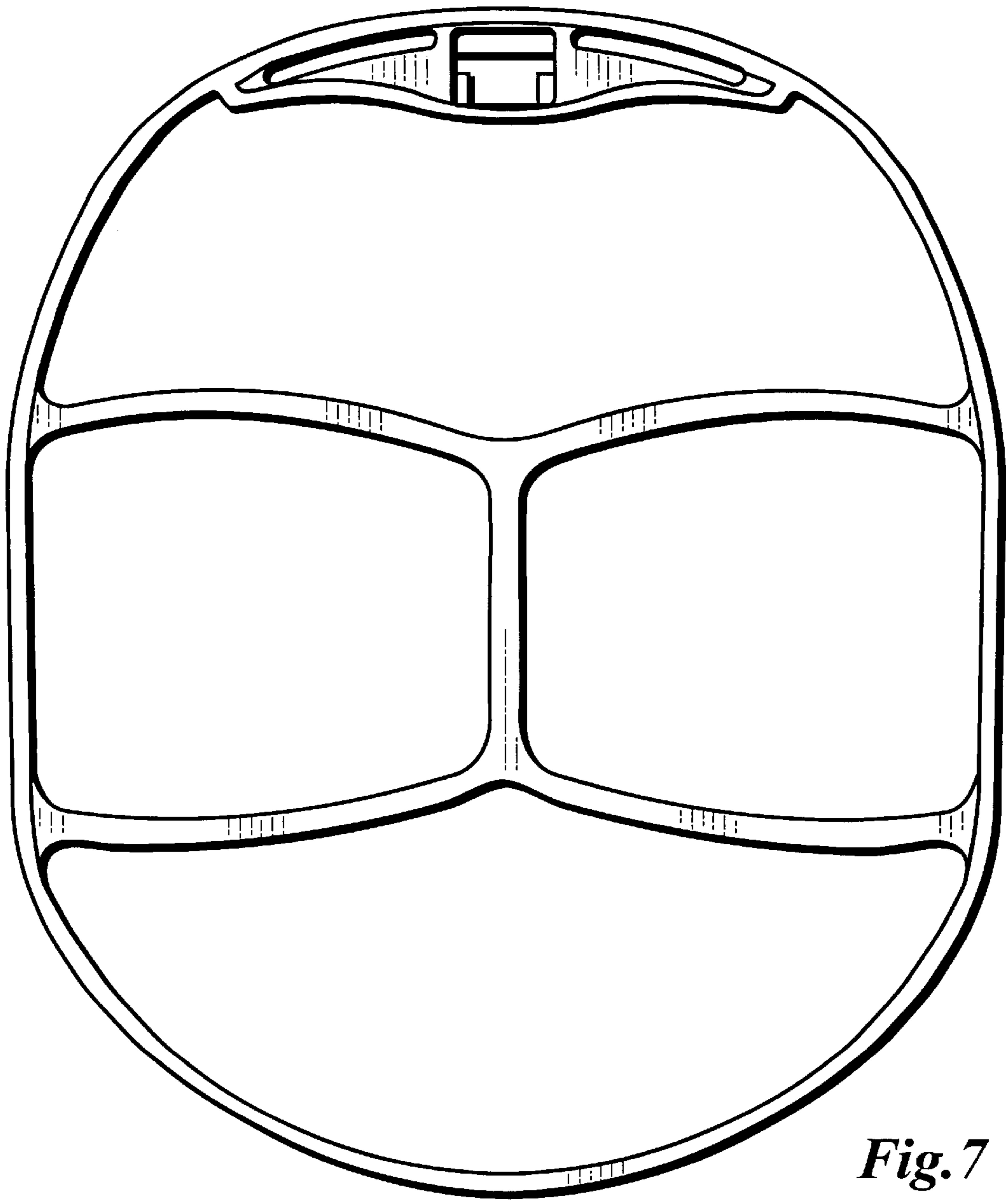
*Fig. 4*



*Fig. 5*



*Fig. 6*



*Fig. 7*