



US00D454233S

(12) **United States Design Patent**  
**Cousins**

(10) **Patent No.:** **US D454,233 S**

(45) **Date of Patent:** **\*\* Mar. 5, 2002**

(54) **CANDLE SNUFFER**

(75) **Inventor:** **Morison S. Cousins**, Winter Park, FL (US)

(73) **Assignee:** **Dart Industries Inc.**, Orlando, FL (US)

(\*\*) **Term:** **14 Years**

(21) **Appl. No.:** **29/128,542**

(22) **Filed:** **Aug. 25, 2000**

(51) **LOC (7) Cl.** ..... **26-99**

(52) **U.S. Cl.** ..... **D29/127**

(58) **Field of Search** ..... D29/125-127;  
D26/10, 22-23; 431/33-35, 129, 144, 146-152,  
251

(56) **References Cited**

**U.S. PATENT DOCUMENTS**

329,765	A	11/1885	O'Boylan	
1,308,215	A	* 7/1919	Baird	431/35
1,572,316	A	2/1926	Schroeder	
1,822,652	A	* 9/1931	Gluckert	431/144
2,467,886	A	* 4/1949	Gaetano	431/146

D157,245	S	2/1950	Egle	
3,985,492	A	* 10/1976	Nunemaker	431/144
D293,365	S	* 12/1987	George	D26/23 X
5,820,360	A	10/1998	Callahan	431/144
6,267,581	B1	* 7/2001	Harrison	431/145

\* cited by examiner

*Primary Examiner*—Louis S. Zarfes

*Assistant Examiner*—Robert A. Delehanty

(74) *Attorney, Agent, or Firm*—Taylor J. Ross

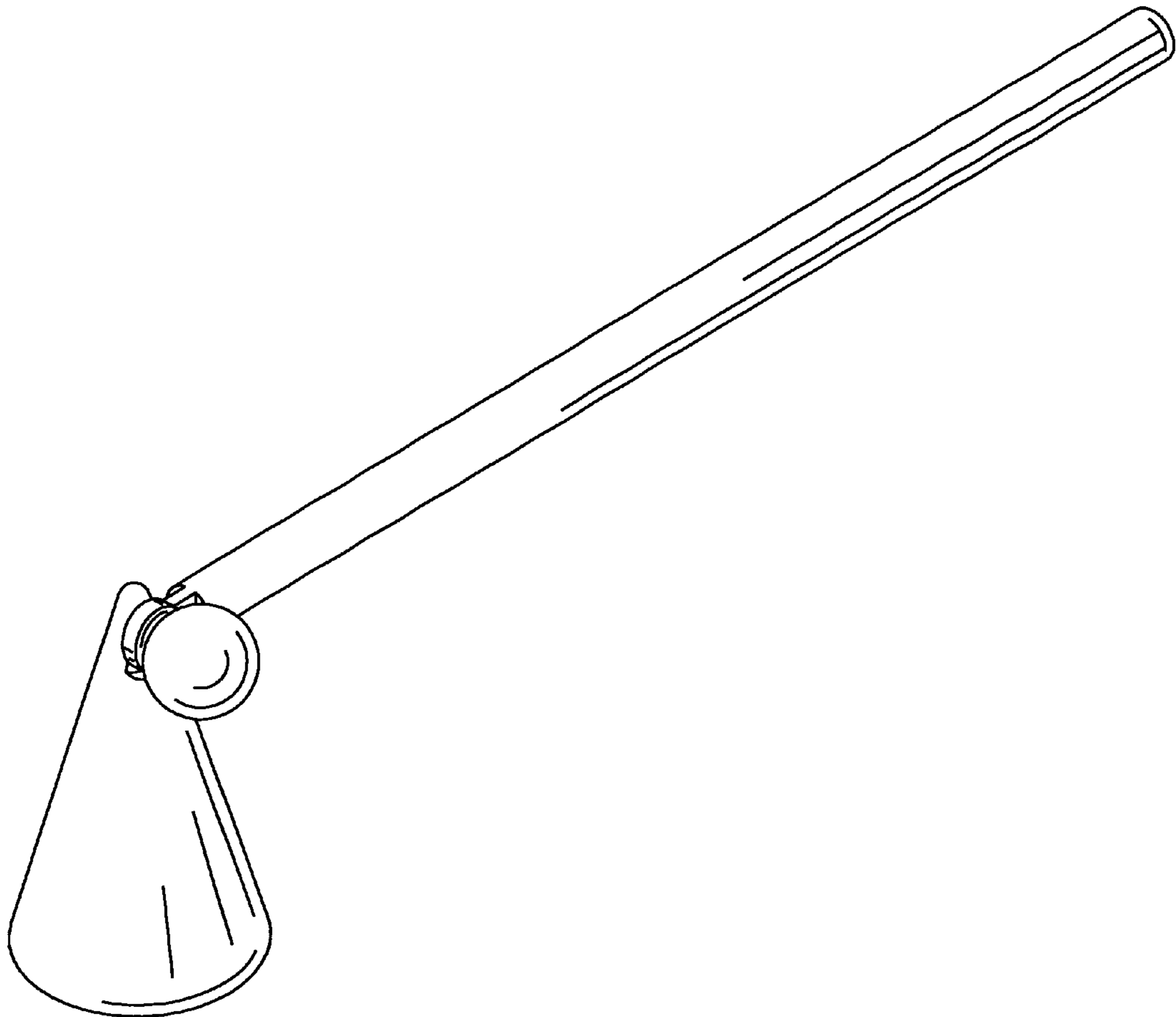
(57) **CLAIM**

The ornamental design for a candle snuffer, as shown and described.

**DESCRIPTION**

FIG. 1 is a top, side and front perspective view of a candle snuffer showing the new design;  
FIG. 2 is a left side elevation view thereof;  
FIG. 3 is a right side elevation view thereof;  
FIG. 4 is a rear elevation view thereof;  
FIG. 5 is a front side elevation view thereof;  
FIG. 6 is a top plan view thereof; and,  
FIG. 7 is a bottom plan view thereof.

**1 Claim, 2 Drawing Sheets**



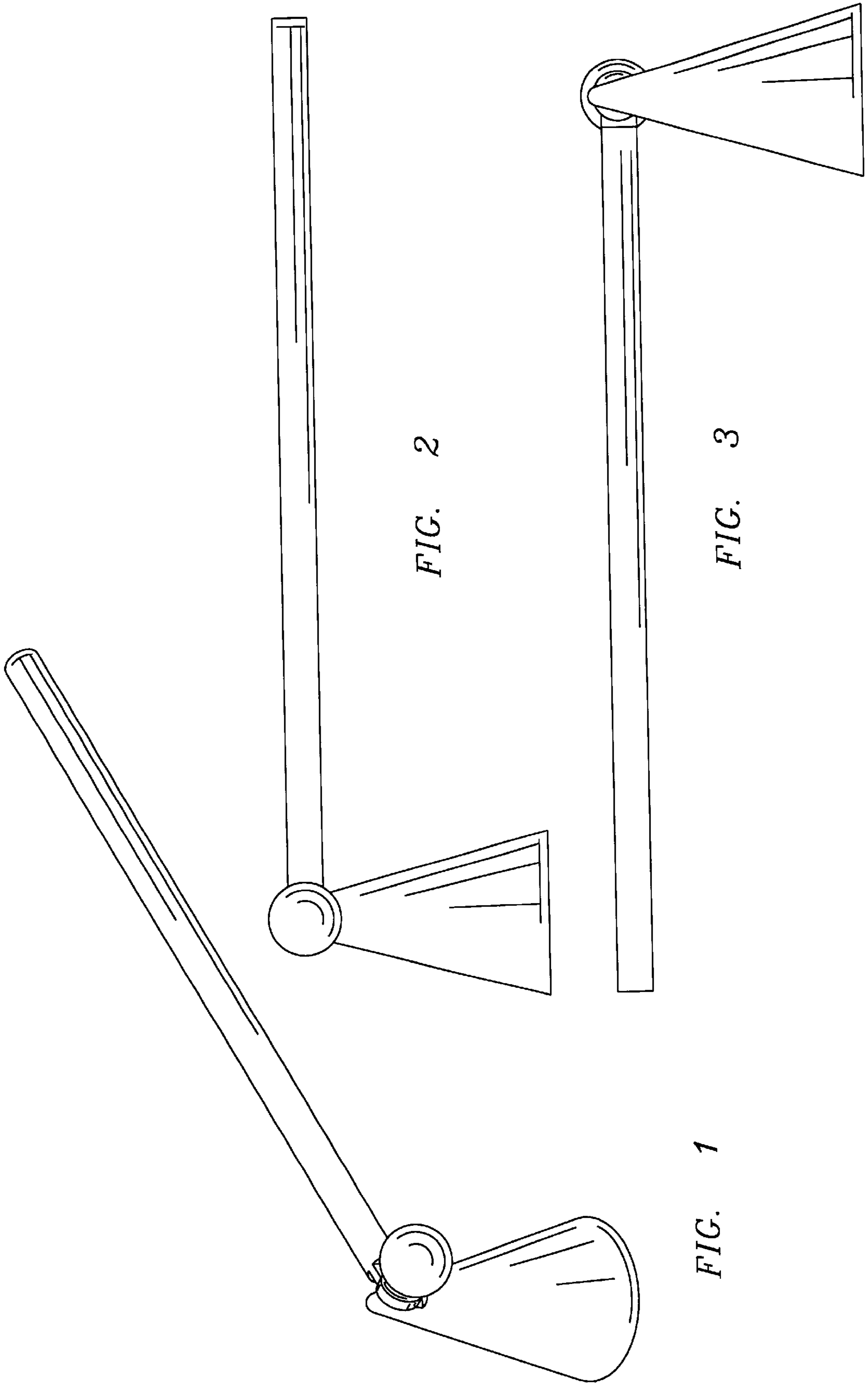


FIG. 2

FIG. 3

FIG. 1

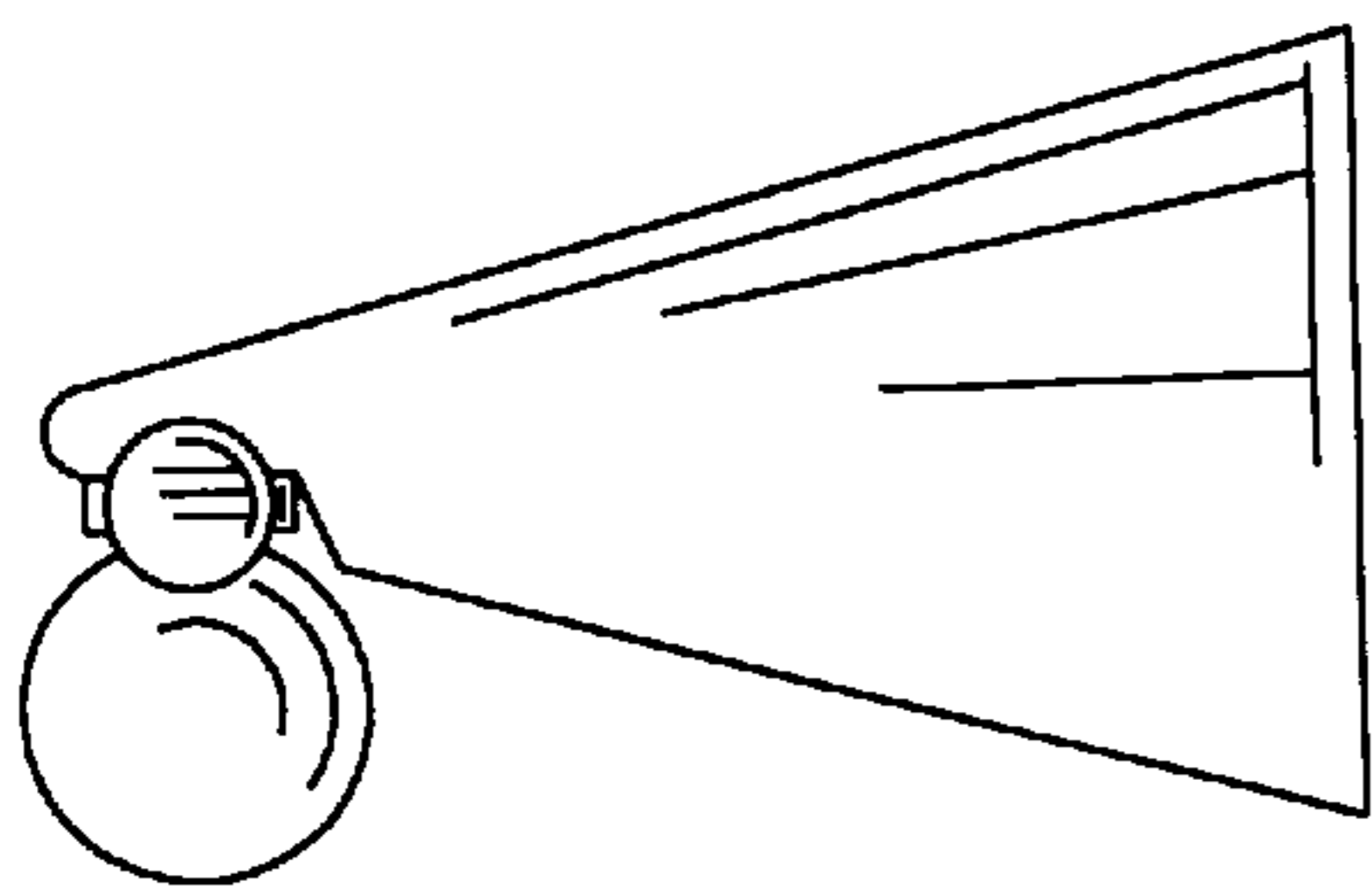


FIG. 4

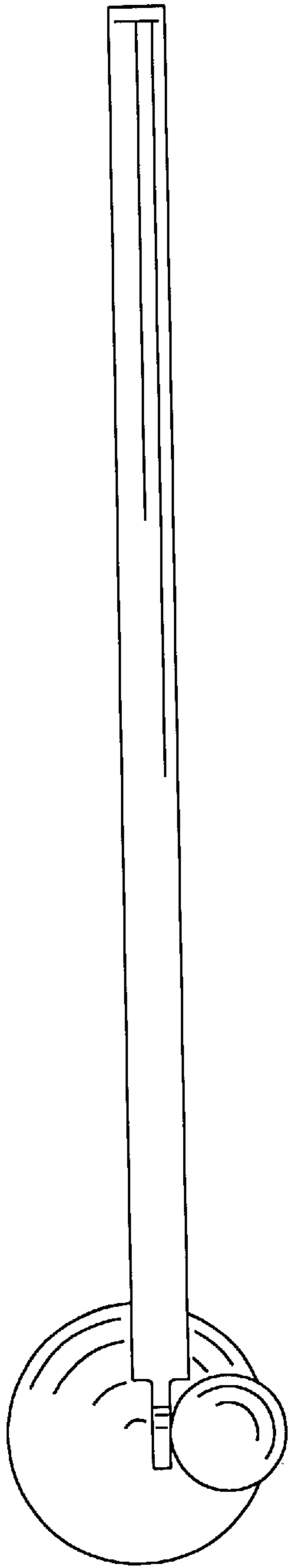


FIG. 6

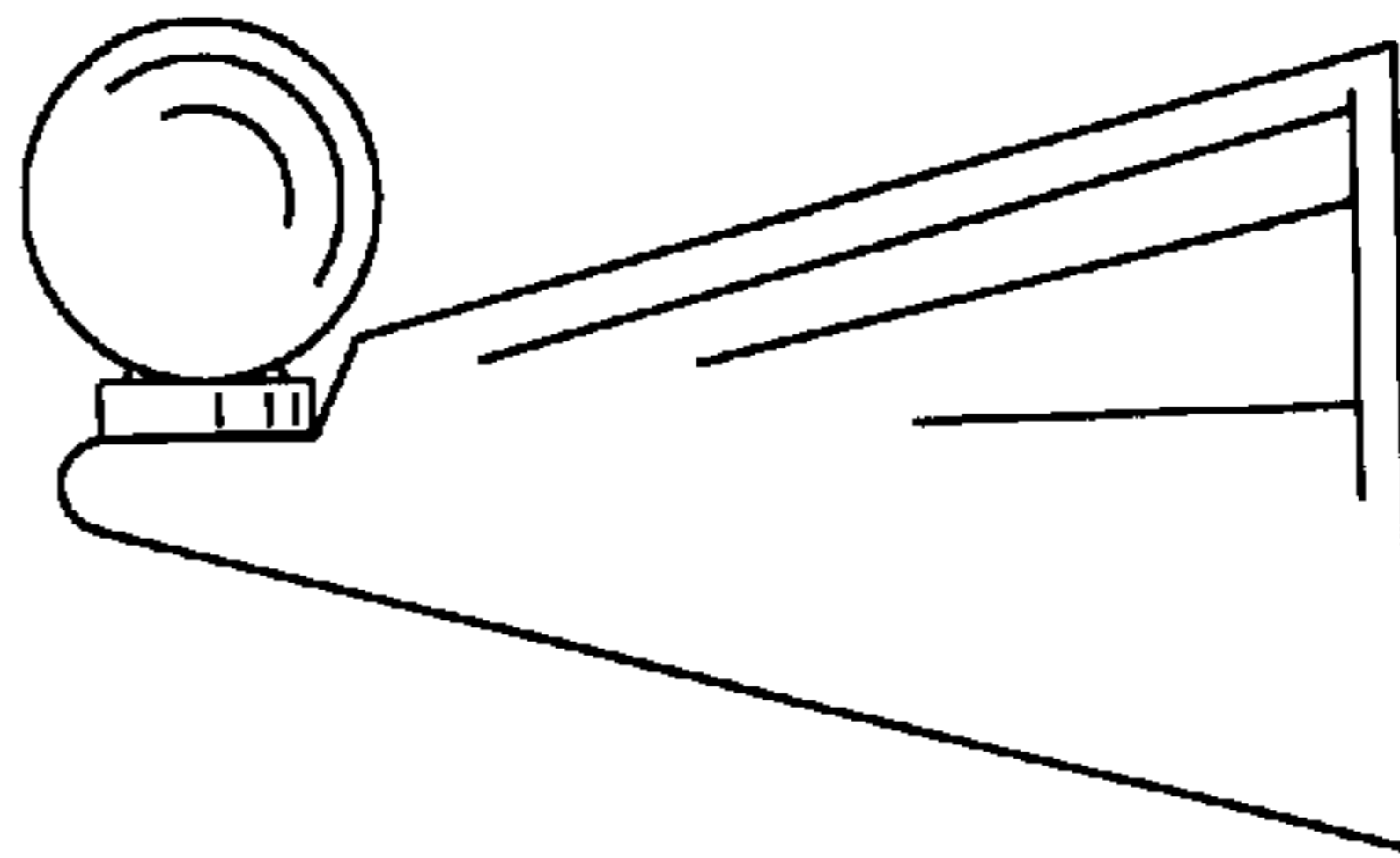


FIG. 5

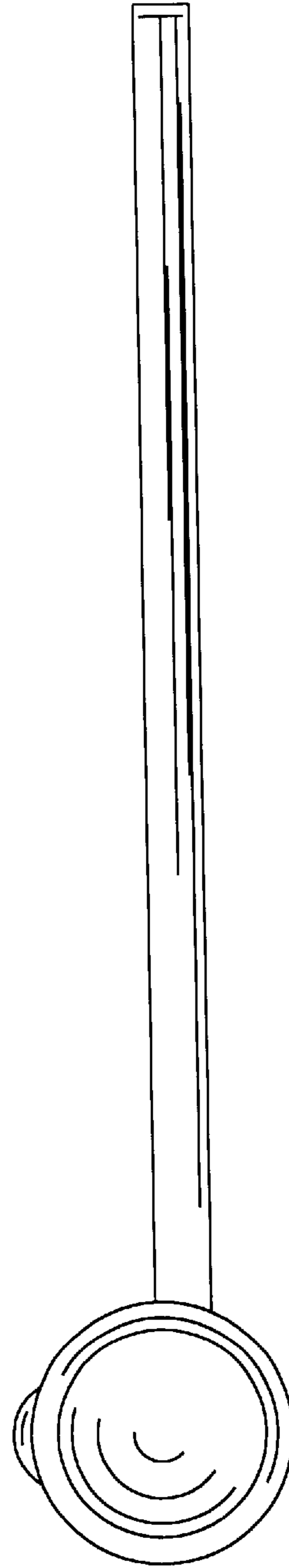


FIG. 7