



US00D454222S

(12) **United States Design Patent**
Park

(10) **Patent No.:** **US D454,222 S**

(45) **Date of Patent:** **** Mar. 5, 2002**

(54) **LIGHTER**

(75) **Inventor:** **Keith K. H. Park**, Glendale, CA (US)

(73) **Assignee:** **Prometheus International, Inc.**, Bell, CA (US)

(**) **Term:** **14 Years**

(21) **Appl. No.:** **29/144,497**

(22) **Filed:** **Jul. 3, 2001**

(51) **LOC (7) Cl.** **27-05**

(52) **U.S. Cl.** **D27/157**

(58) **Field of Search** D27/141, 154,
D27/157, 160; 439/129, 130, 132, 142,
143, 144, 151, 254-256, 267, 273, 274,
277

(56) **References Cited**

U.S. PATENT DOCUMENTS

- D343,472 S * 1/1994 Kang D27/154
- D397,498 S * 8/1998 Segawa D27/154

OTHER PUBLICATIONS

Vector Unitech, www.thetobaccoshop.com, downloaded Feb. 7, 2000.*

* cited by examiner

Primary Examiner—Jennifer Rivard

(74) *Attorney, Agent, or Firm*—Knobbe, Martens, Olson & Bear, LLP

(57) **CLAIM**

The ornamental design for a lighter, as shown and described.

DESCRIPTION

FIG. 1 is a front perspective view of the lighter according to the present invention;

FIG. 2 is a top plan view of the lighter of FIG. 1;

FIG. 3 is a bottom plan view of the lighter of FIG. 1;

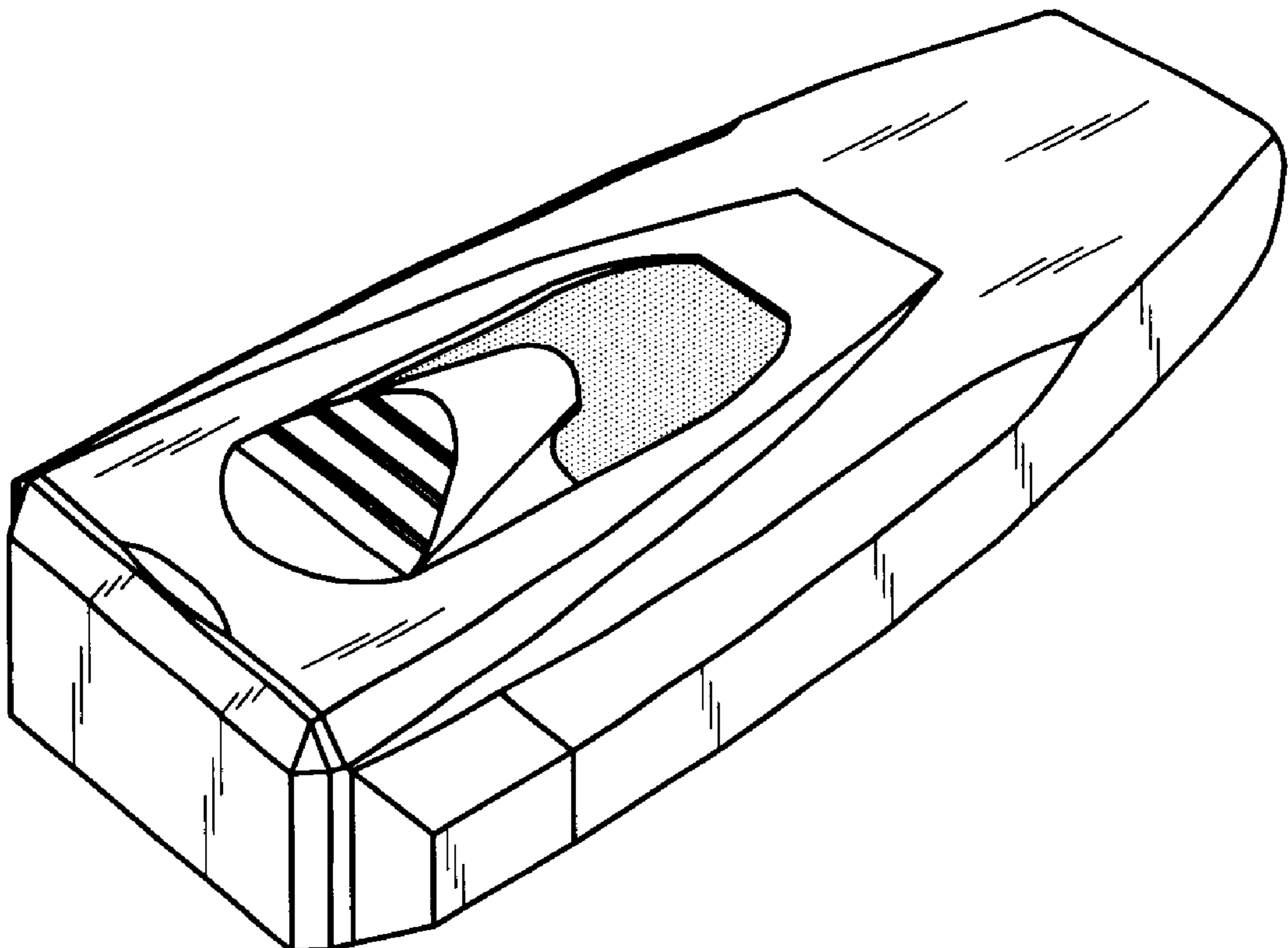
FIG. 4 is a front elevational view of the lighter of FIG. 1, the rear elevational view being a mirror image thereof;

FIG. 5 is a right-side view of the lighter of FIG. 1; and,

FIG. 6 is a left-side elevational view of the lighter of FIG. 1.

The broken line environmental showing is for illustrative purposes only and forms no part of the claimed design.

1 Claim, 2 Drawing Sheets



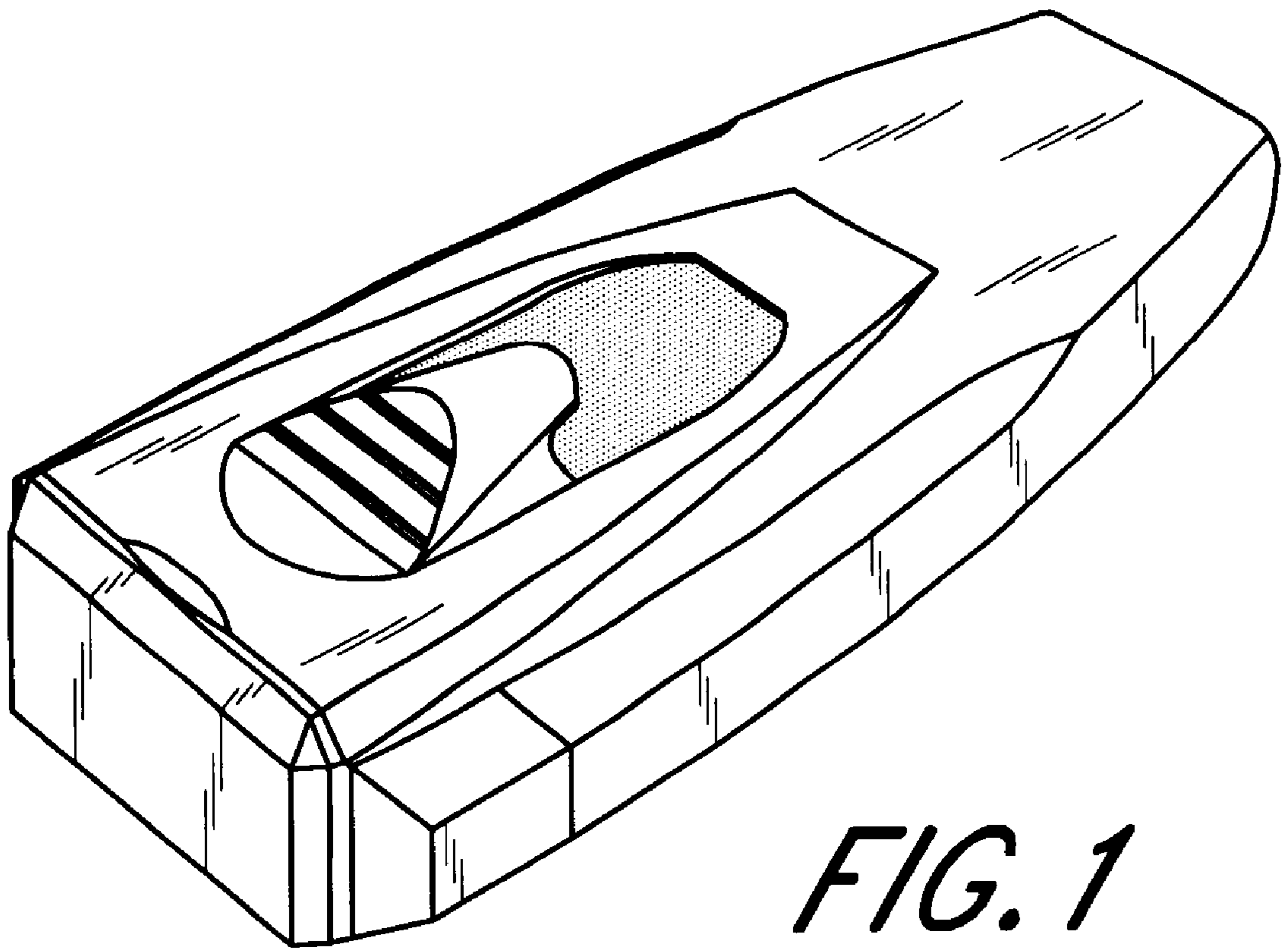


FIG. 1

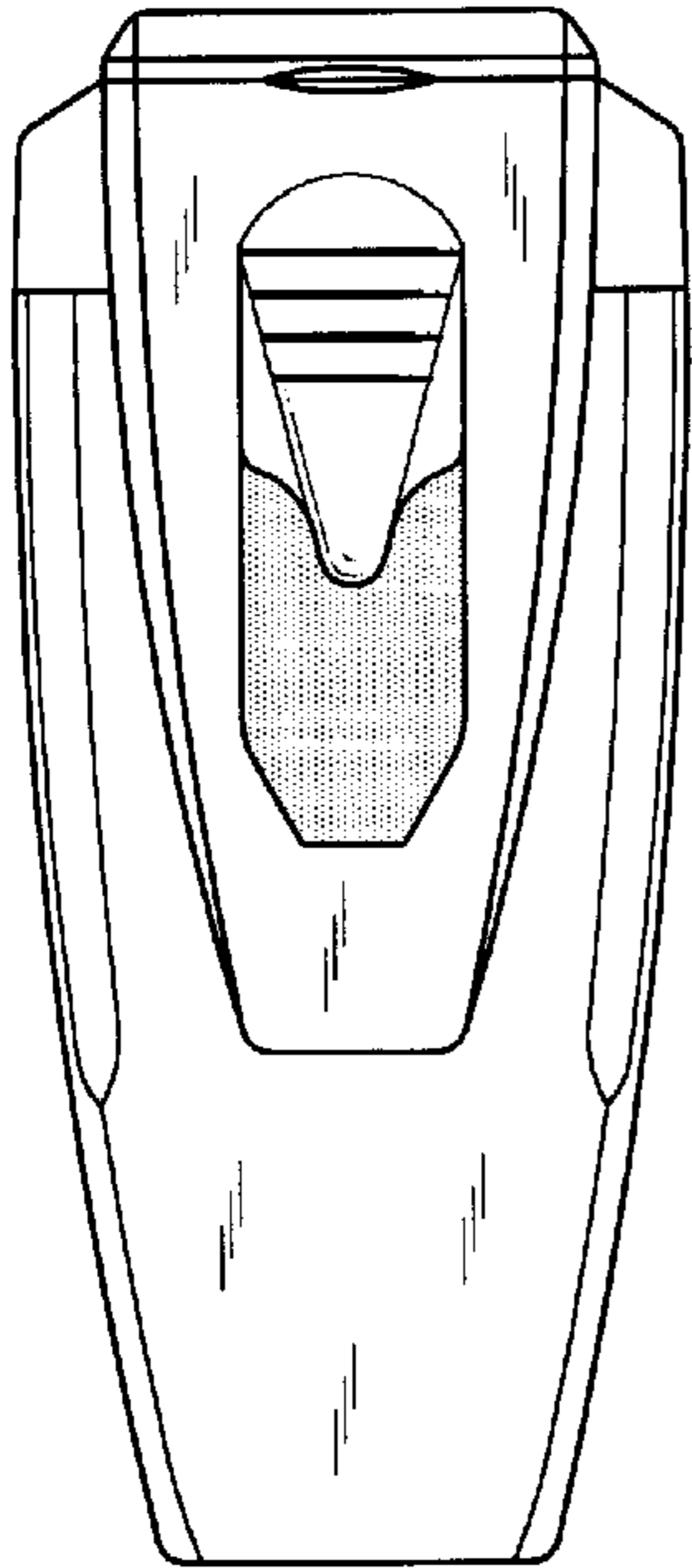


FIG. 2

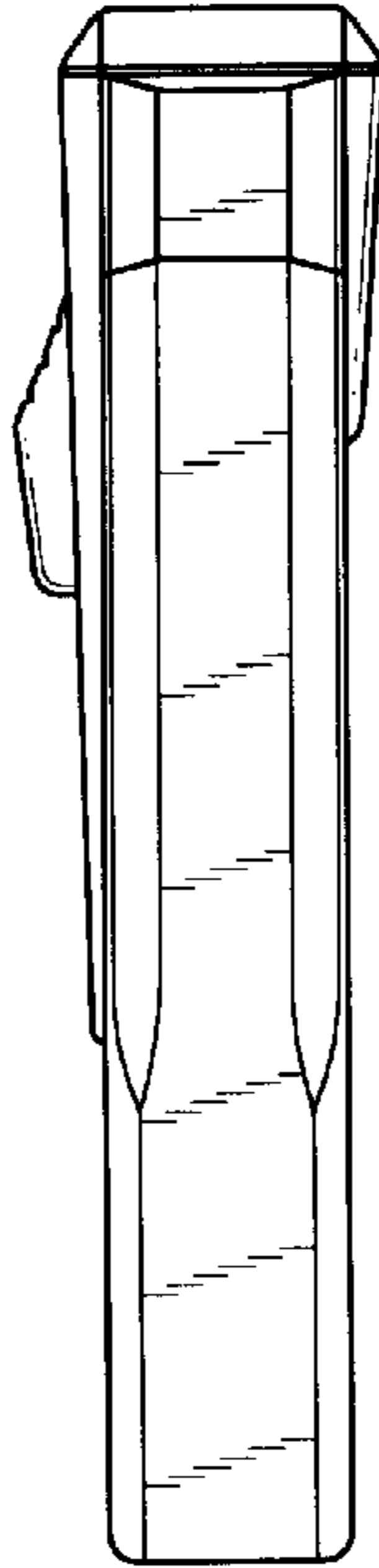


FIG. 4

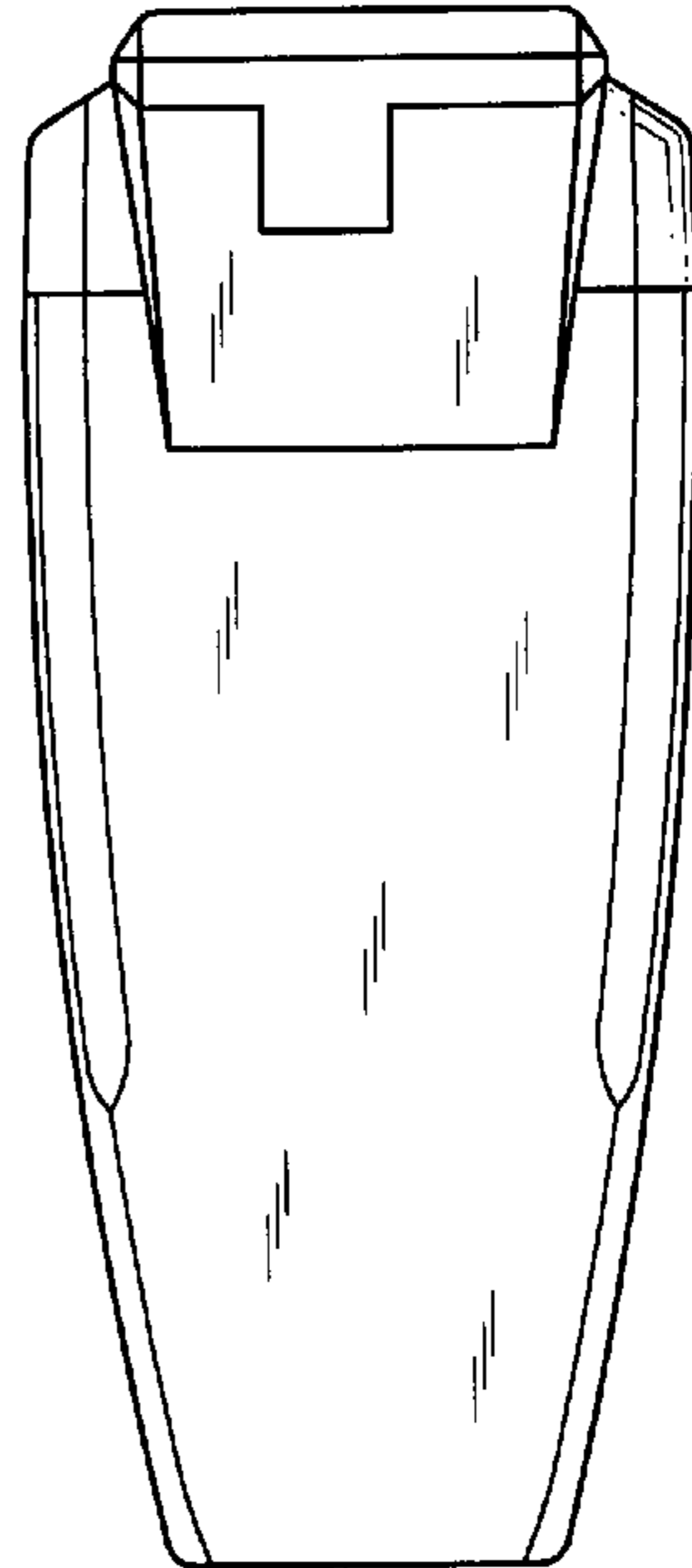


FIG. 3

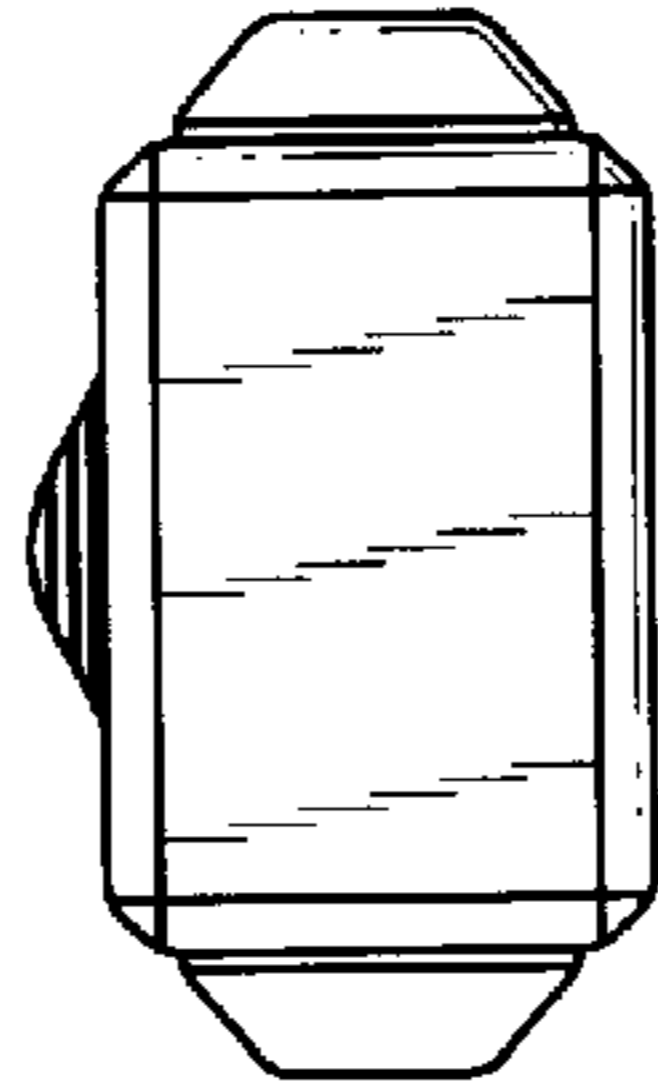


FIG. 5

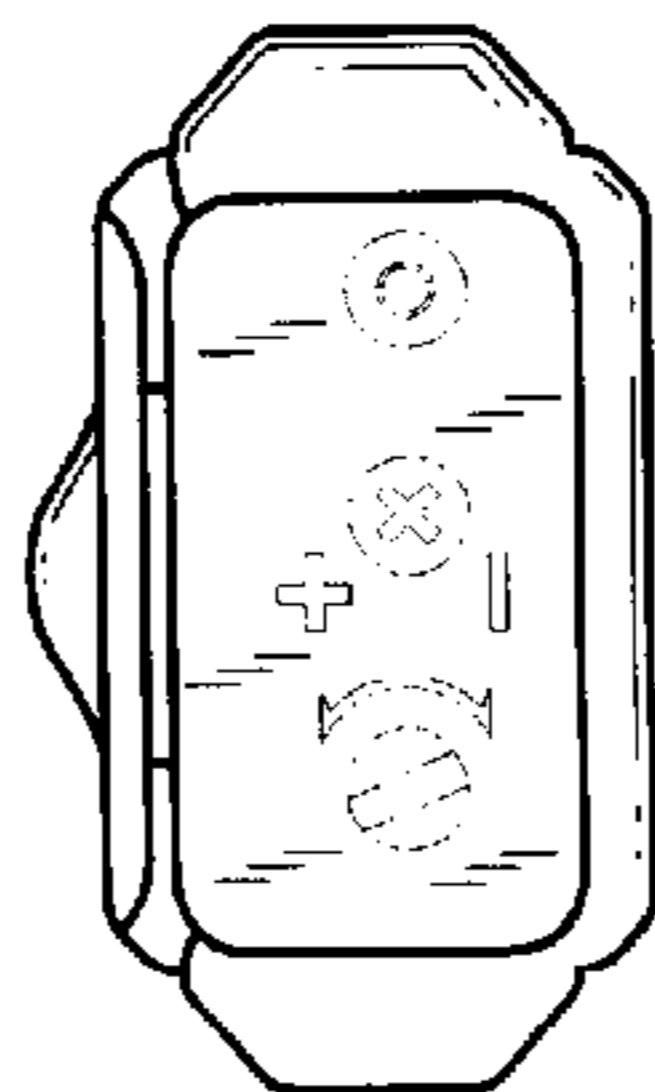


FIG. 6