



US00D454218S

(12) **United States Design Patent**  
**Rahn**

(10) **Patent No.:** **US D454,218 S**  
(45) **Date of Patent:** **\*\* Mar. 5, 2002**

(54) **PARABOLIC PROJECTOR**

(75) Inventor: **Erhard Rahn**, Berlin (DE)

(73) Assignee: **Franz Sill GmbH** (DE)

(\*\*) Term: **14 Years**

(21) Appl. No.: **29/145,129**

(22) Filed: **Jul. 16, 2001**

(30) **Foreign Application Priority Data**

Feb. 28, 2001 (DE) ..... 4 01 02 213

(51) **LOC (7) Cl.** ..... **26-05**

(52) **U.S. Cl.** ..... **D26/62**

(58) **Field of Search** ..... D26/62; 362/3,  
362/217, 220, 227, 235, 269, 285, 290,  
329, 341, 362, 368, 410

(56) **References Cited**

**U.S. PATENT DOCUMENTS**

D260,300 S \* 8/1981 Aron ..... D26/62

\* cited by examiner

*Primary Examiner*—Marcus A. Jackson

(74) *Attorney, Agent, or Firm*—McGlew and Tuttle, P.C.

(57) **CLAIM**

The ornamental design for a parabolic projector, as shown and described.

**DESCRIPTION**

FIG. 1 is a perspective front side view of my new parabolic projector with the cord broken away to indicate indeterminate length;

FIG. 2 is a front view thereof;

FIG. 3 is a rear side view thereof;

FIG. 4 is a top view thereof;

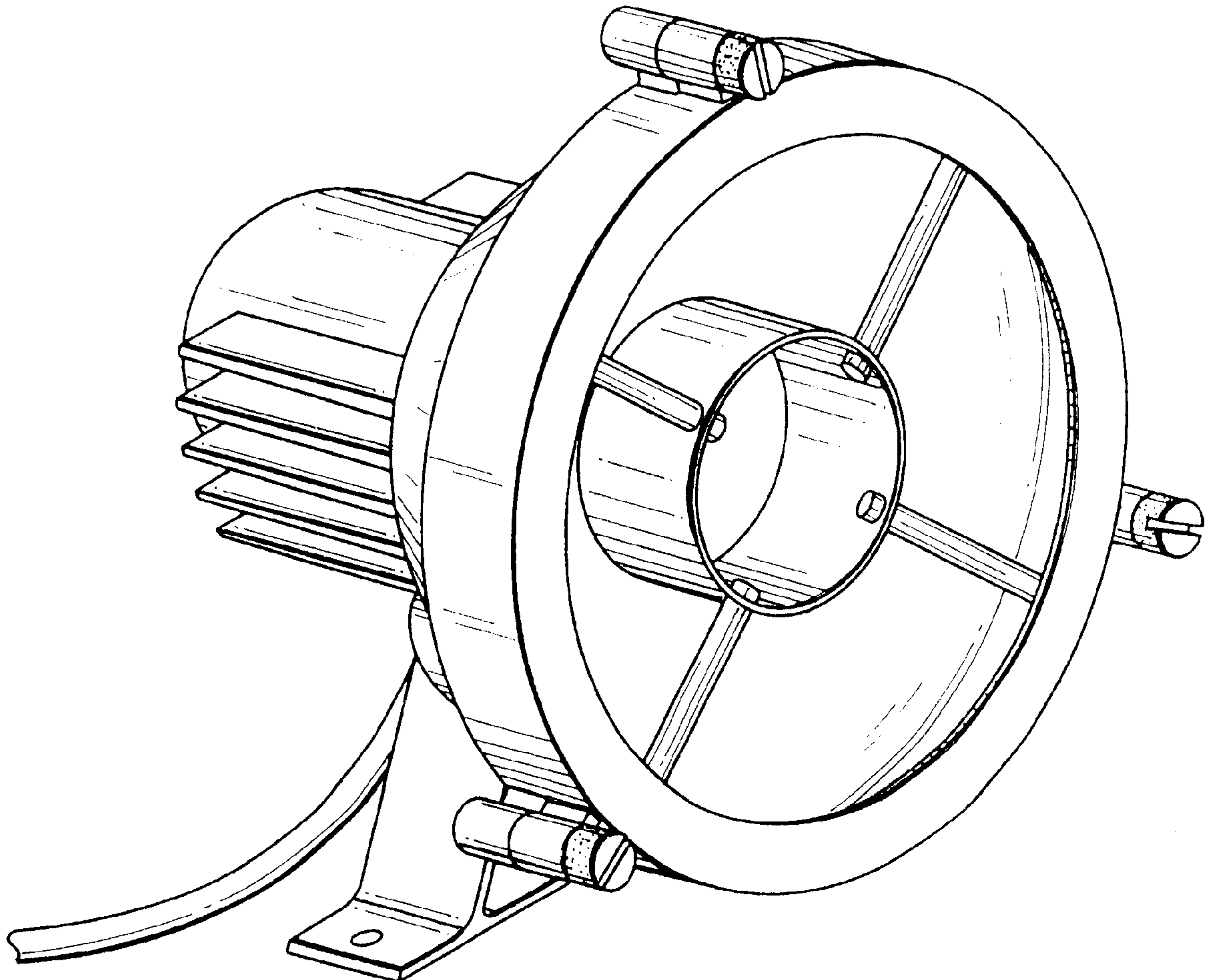
FIG. 5 is a bottom view thereof;

FIG. 6 is a side view thereof;

FIG. 7 is a side view with the crossbar in a position turned around 180° to a second position; and,

FIG. 8 is a side view with the crossbar turned back from the position according to FIG. 7 to a third position.

**1 Claim, 5 Drawing Sheets**



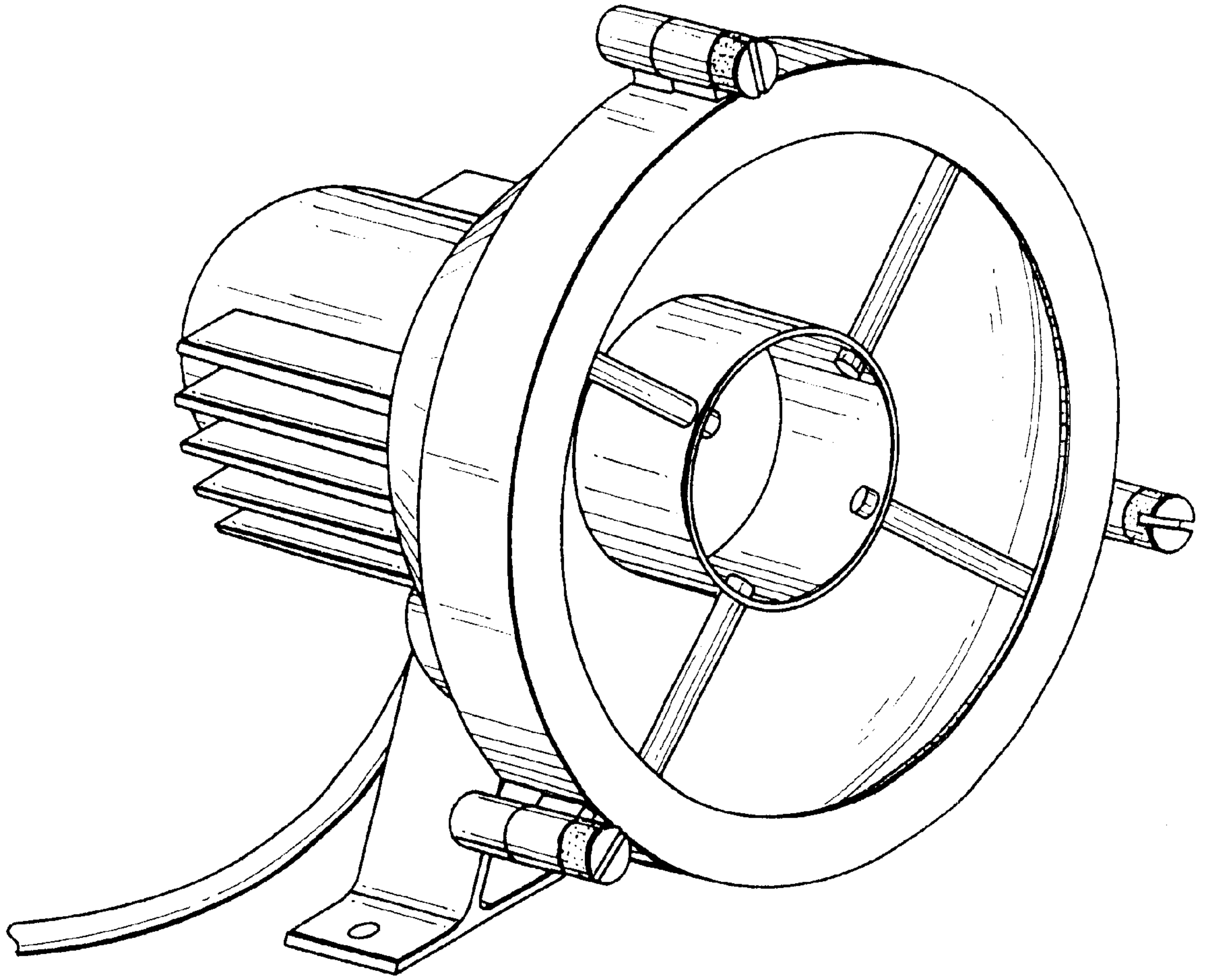


Fig. 1

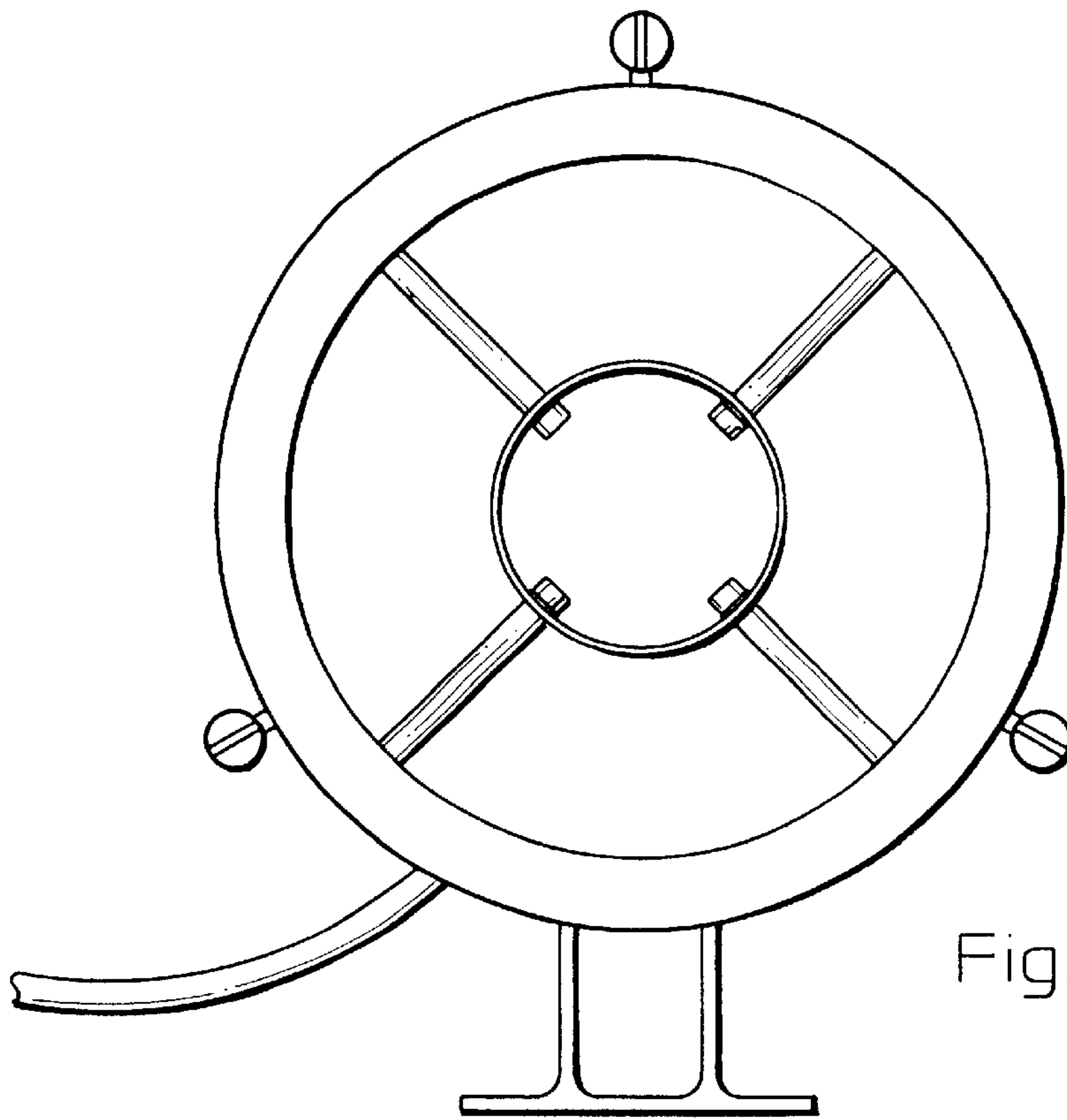


Fig. 2

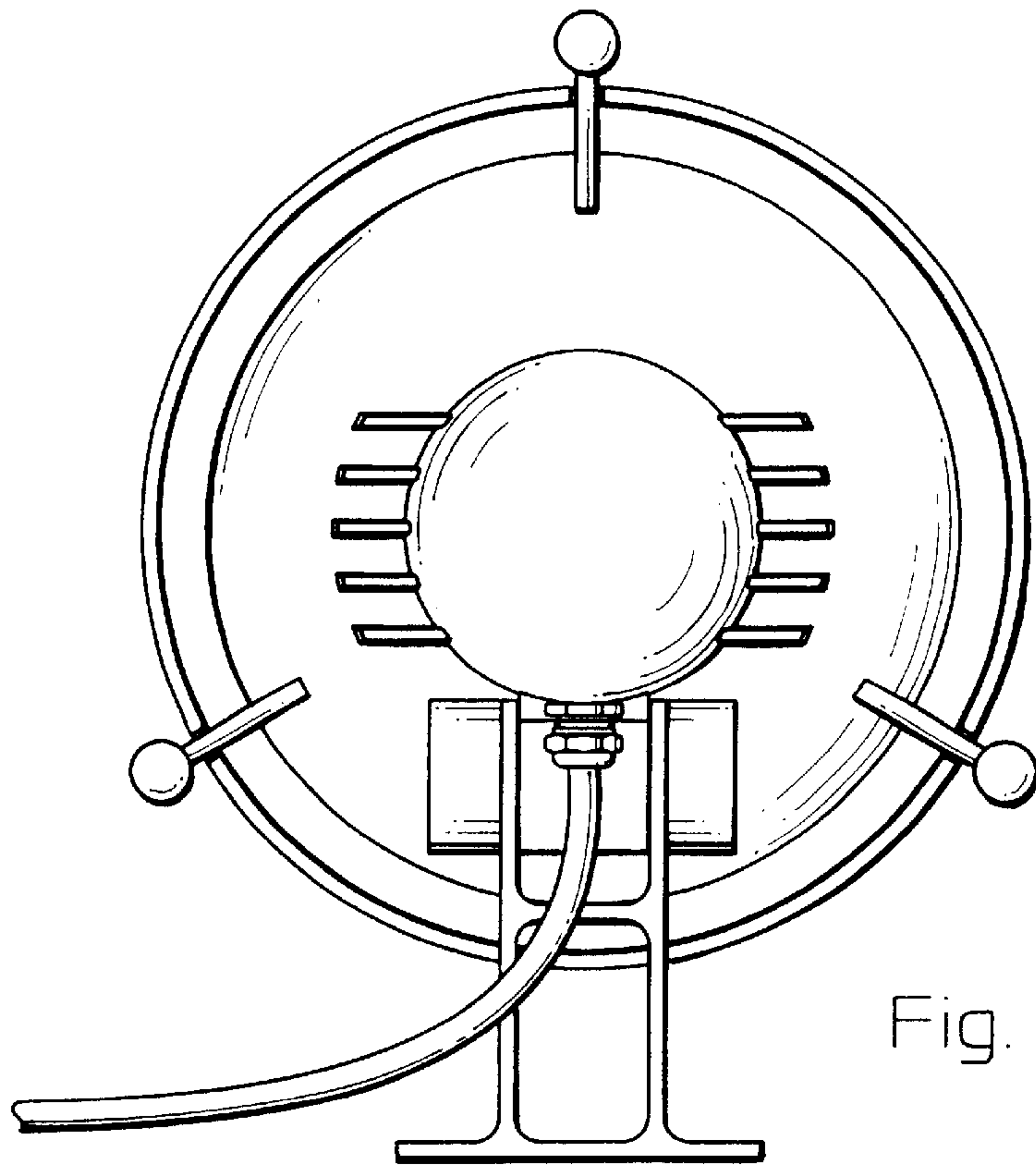
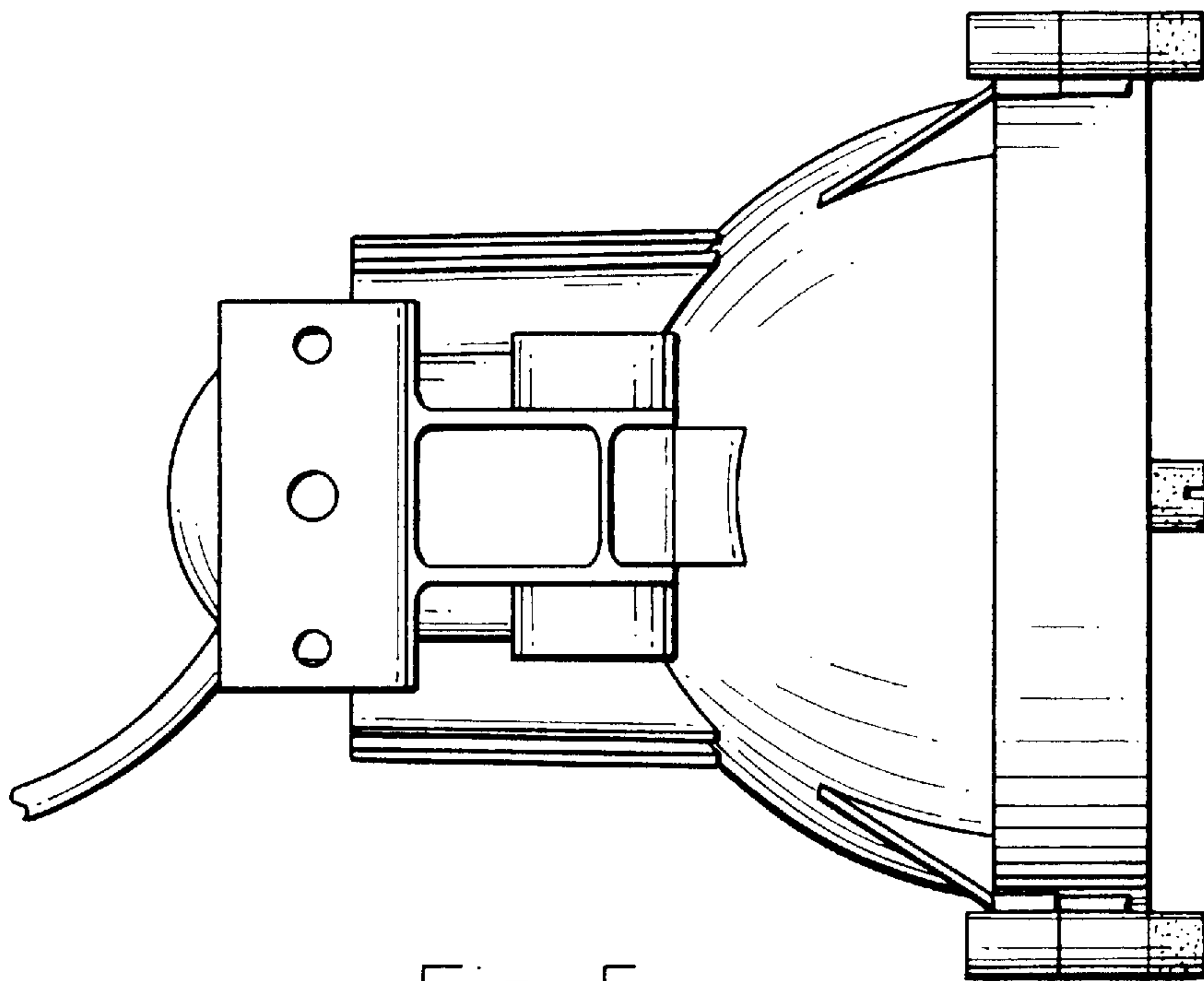
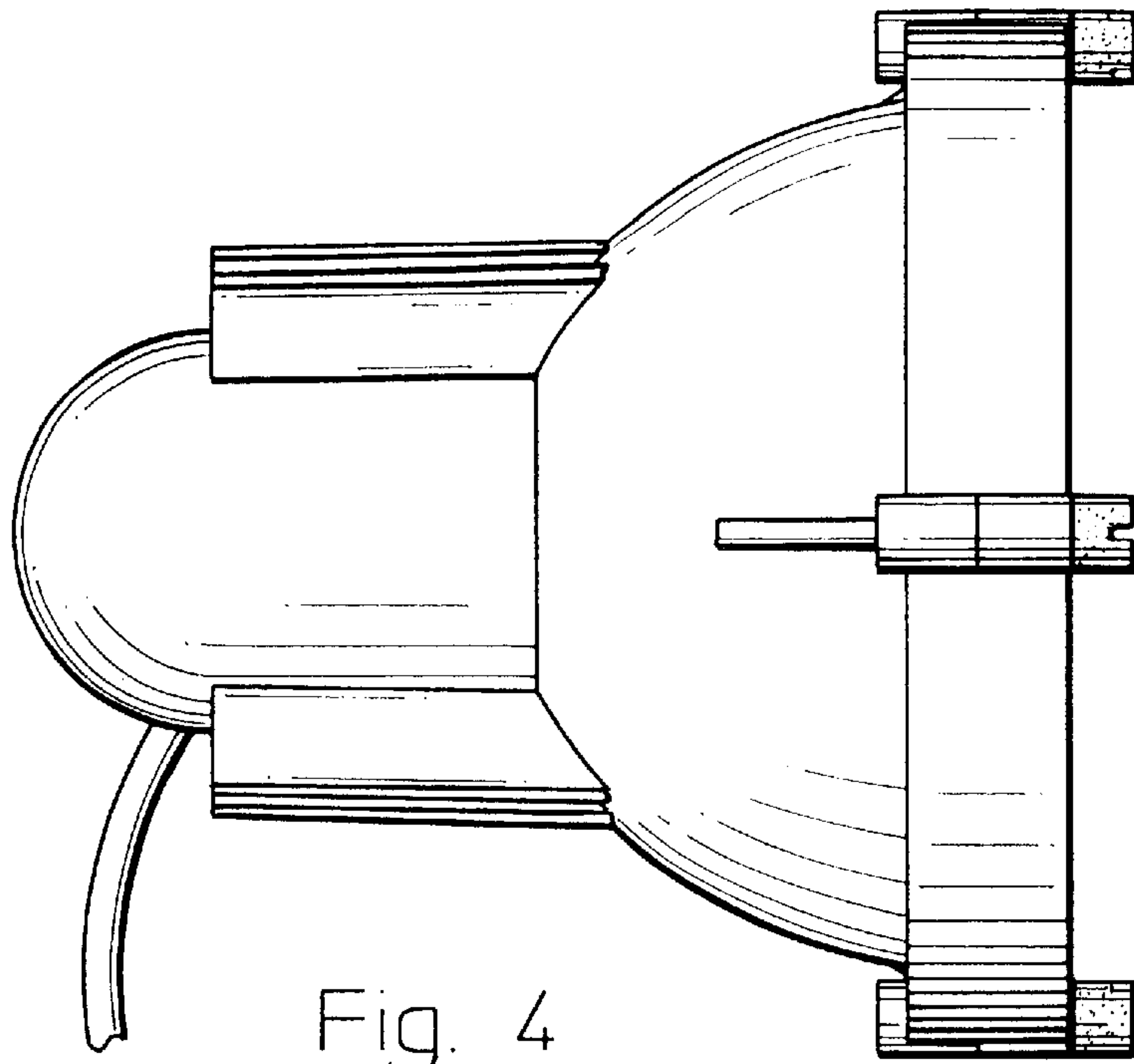
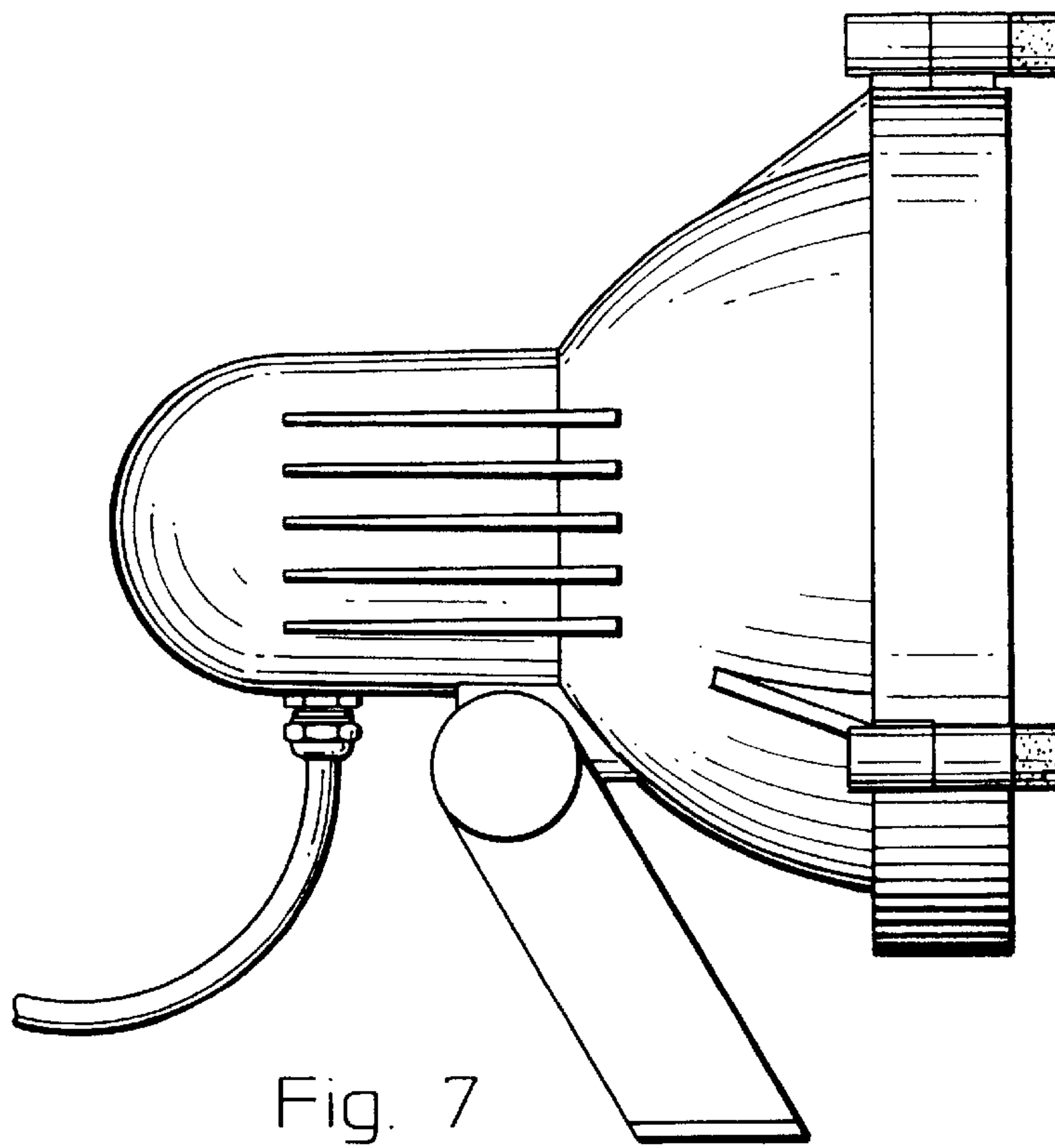
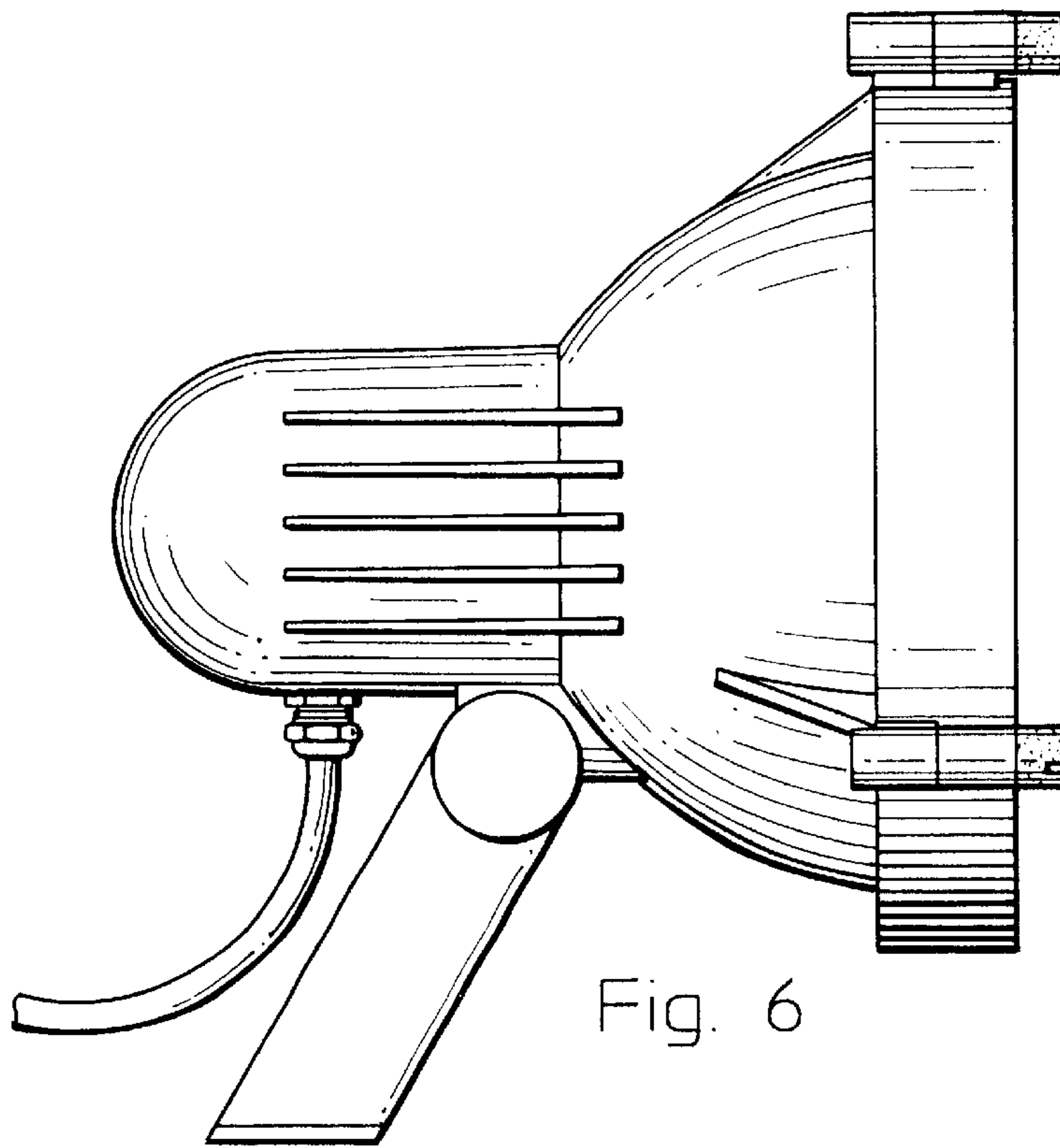


Fig. 3







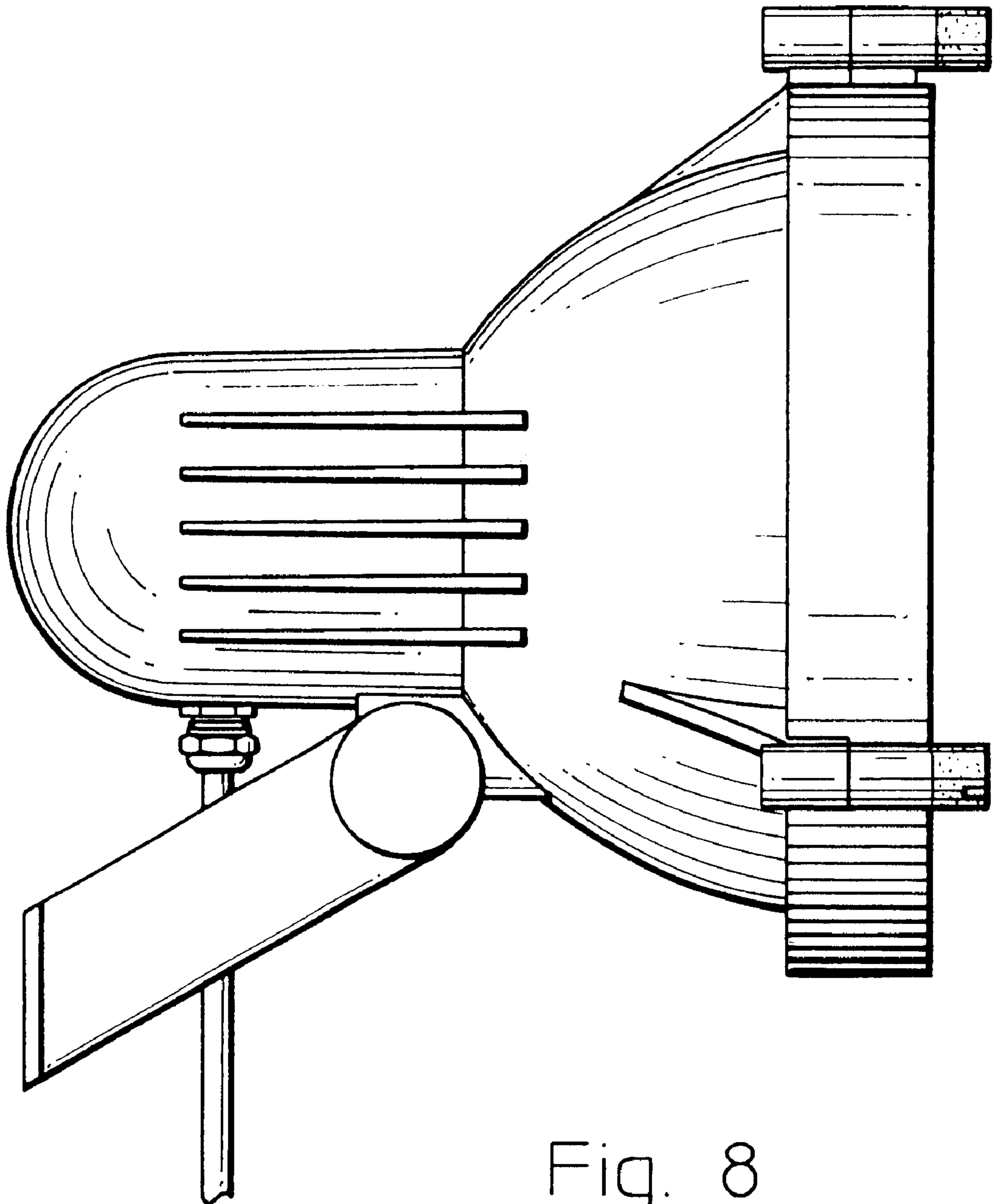


Fig. 8