



US00D454214S

(12) **United States Design Patent**
Tyra

(10) **Patent No.:** **US D454,214 S**

(45) **Date of Patent:** **** Mar. 5, 2002**

(54) **WINDOW COMPONENT EXTRUSION**

(75) Inventor: **Kevin P. Tyra**, Puyallup, WA (US)

(73) Assignee: **Mikron Industries, Inc.**, Kent, WA (US)

(**) Term: **14 Years**

(21) Appl. No.: **29/130,817**

(22) Filed: **Oct. 10, 2000**

(51) **LOC (7) Cl.** **25-01**

(52) **U.S. Cl.** **D25/124**

(58) **Field of Search** D25/60, 52, 119-125;
52/204.1, 204.5, 730.3, 730.4, 730.5, 210,
204.55, 204.56, 204.63, 204.6, 214; 49/501,
504, DIG. 2

(56) **References Cited**

U.S. PATENT DOCUMENTS

D363,798 S 10/1995 Hosseini
D380,005 S * 6/1997 Goss D25/124

OTHER PUBLICATIONS

Kevin Tyra, Mikron Part No. 7314, Mikron Industries, Inc.;
Kent, Washington, Both designs either known by others
prior to conception of the present invention or offered for

sale more than one year prior to the filing date of the content
application.

Kevin Tyra, Mikron Part No. 7315, Mikron Industries, Inc.;
Kent, Washington, Both designs either known by others
prior to conception of the present invention or offered for
sale more than one year prior to the filing date of the content
application.

* cited by examiner

Primary Examiner—Doris Clark

(74) *Attorney, Agent, or Firm*—Richardson & Folise

(57) **CLAIM**

The ornamental design for a window component extrusion,
as shown and described.

DESCRIPTION

FIG. 1 is a top right perspective view of the window
component extrusion which is broken in the center indicat-
ing length; and,

FIG. 2 is a bottom left perspective view of the window
component extrusion shown in FIG. 1.

1 Claim, 1 Drawing Sheet

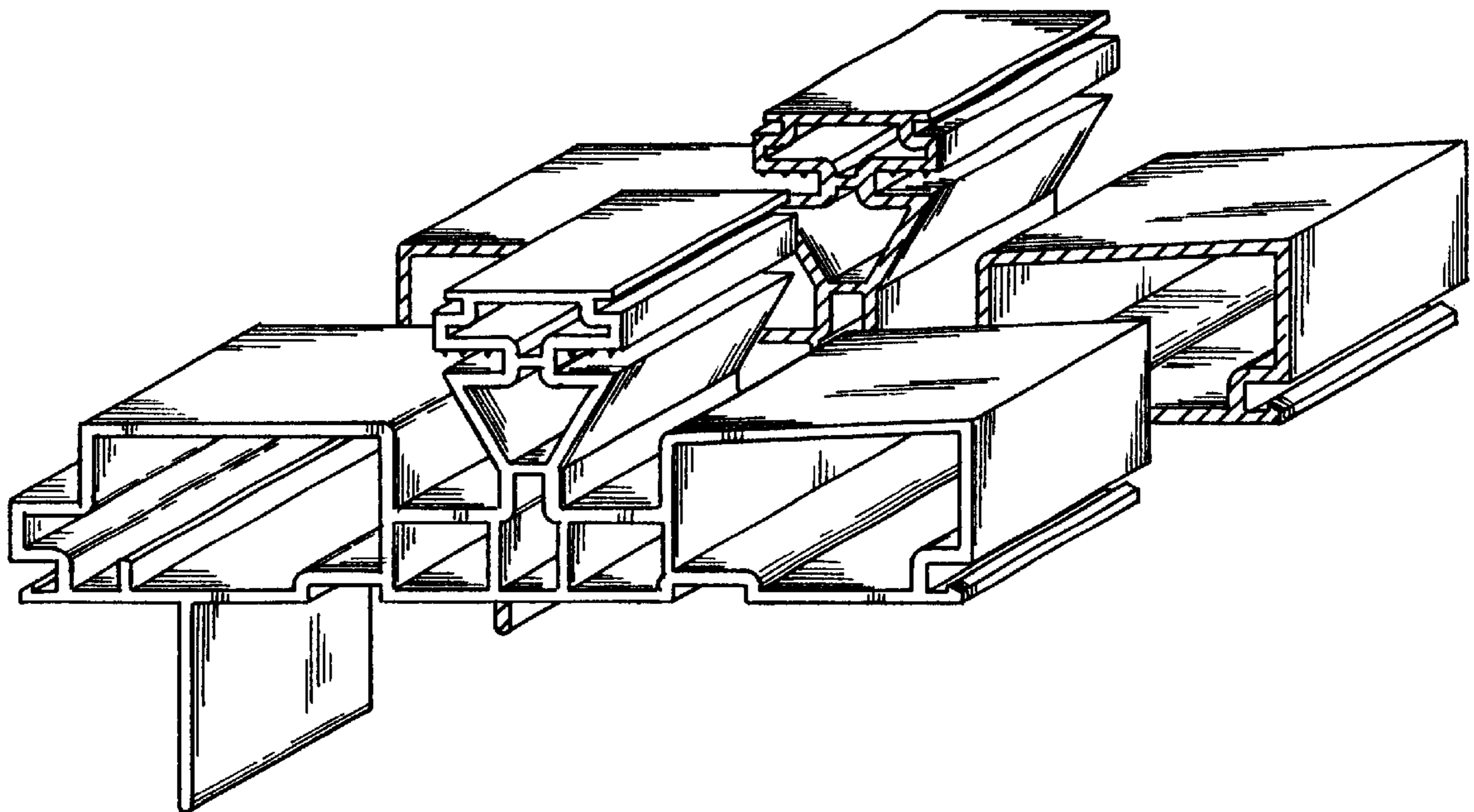


FIG. 1

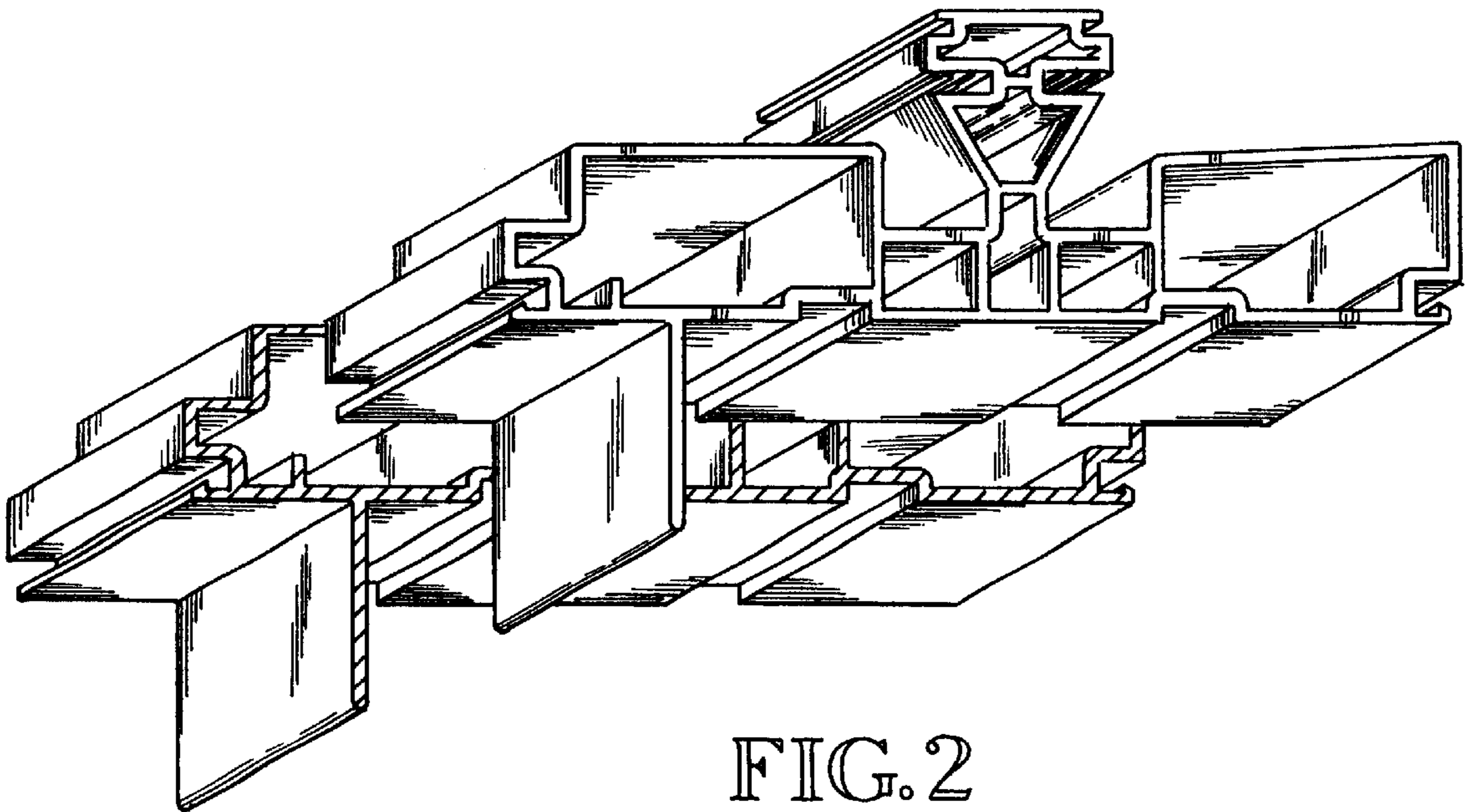
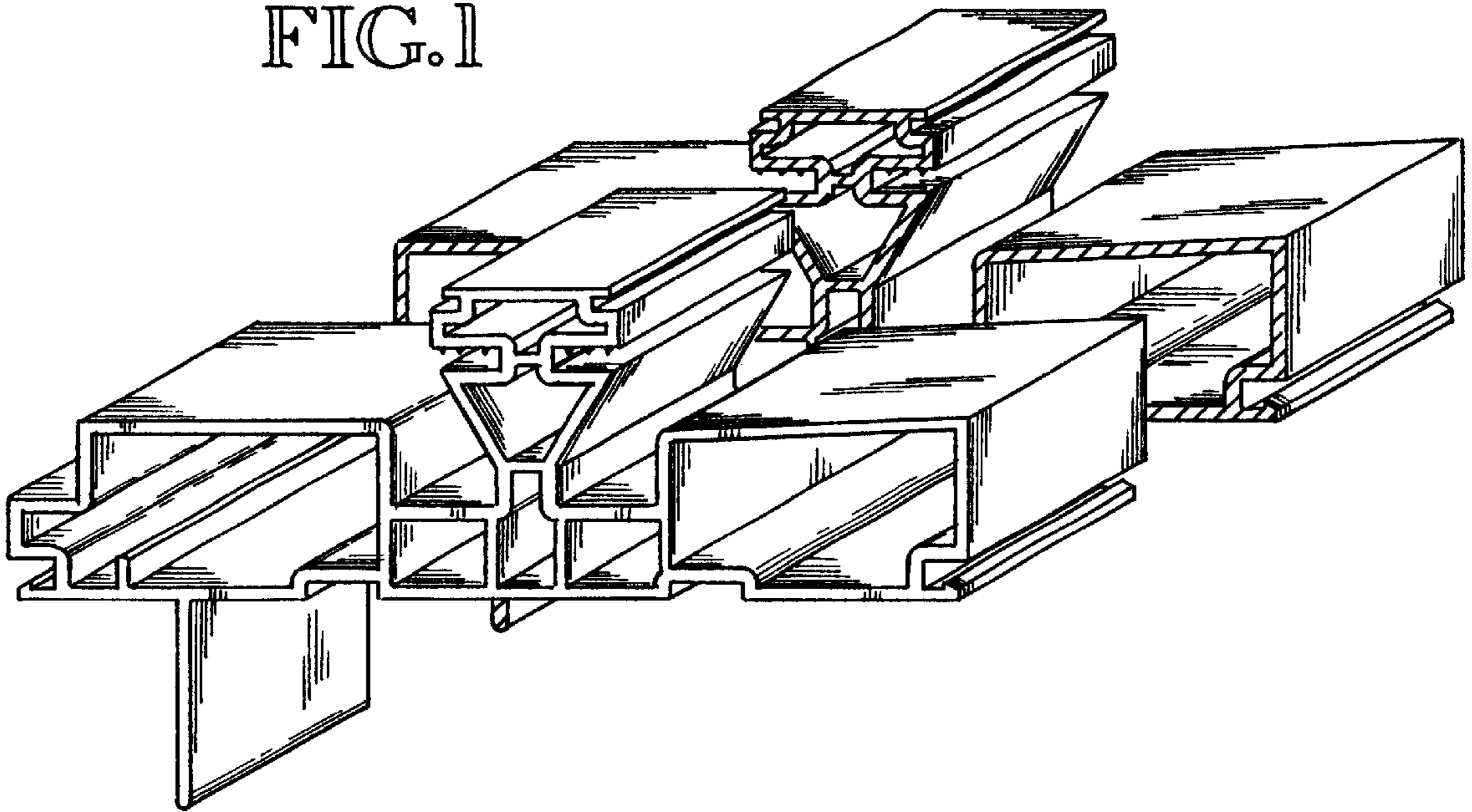


FIG. 2