



US00D454213S

(12) **United States Design Patent**  
**Habeck et al.**

(10) **Patent No.:** **US D454,213 S**

(45) **Date of Patent:** **\*\* \*Mar. 5, 2002**

(54) **FLUSH FIN HEAD FOR SINGLE HUNG WINDOW**

(58) **Field of Search** ..... D25/124, 52, 125,  
D25/60; 49/407, 408, 501, 504, DIG. 2;  
52/204.5, 204.1

(75) **Inventors:** **Jerome Carl Habeck**, Holt; **Dennis C. Westphal**, Parma, both of MI (US); **David S. Levine**, King of Prussia; **Stanley Gursky**, Yardley, both of PA (US)

(56) **References Cited**  
**U.S. PATENT DOCUMENTS**

D378,430 S 3/1997 Dallaire et al. .... D25/125

(73) **Assignee:** **CertainTeed Corporation**, Valley Forge, PA (US)

*Primary Examiner*—Doris Clark  
(74) *Attorney, Agent, or Firm*—Duane Morris & Heckscher LLP

(\* ) **Notice:** This patent is subject to a terminal disclaimer.

(57) **CLAIM**

The ornamental design for a flush fin head for single hung window, as shown and described.

(\*\*) **Term:** **14 Years**

**DESCRIPTION**

(21) **Appl. No.:** **29/128,960**

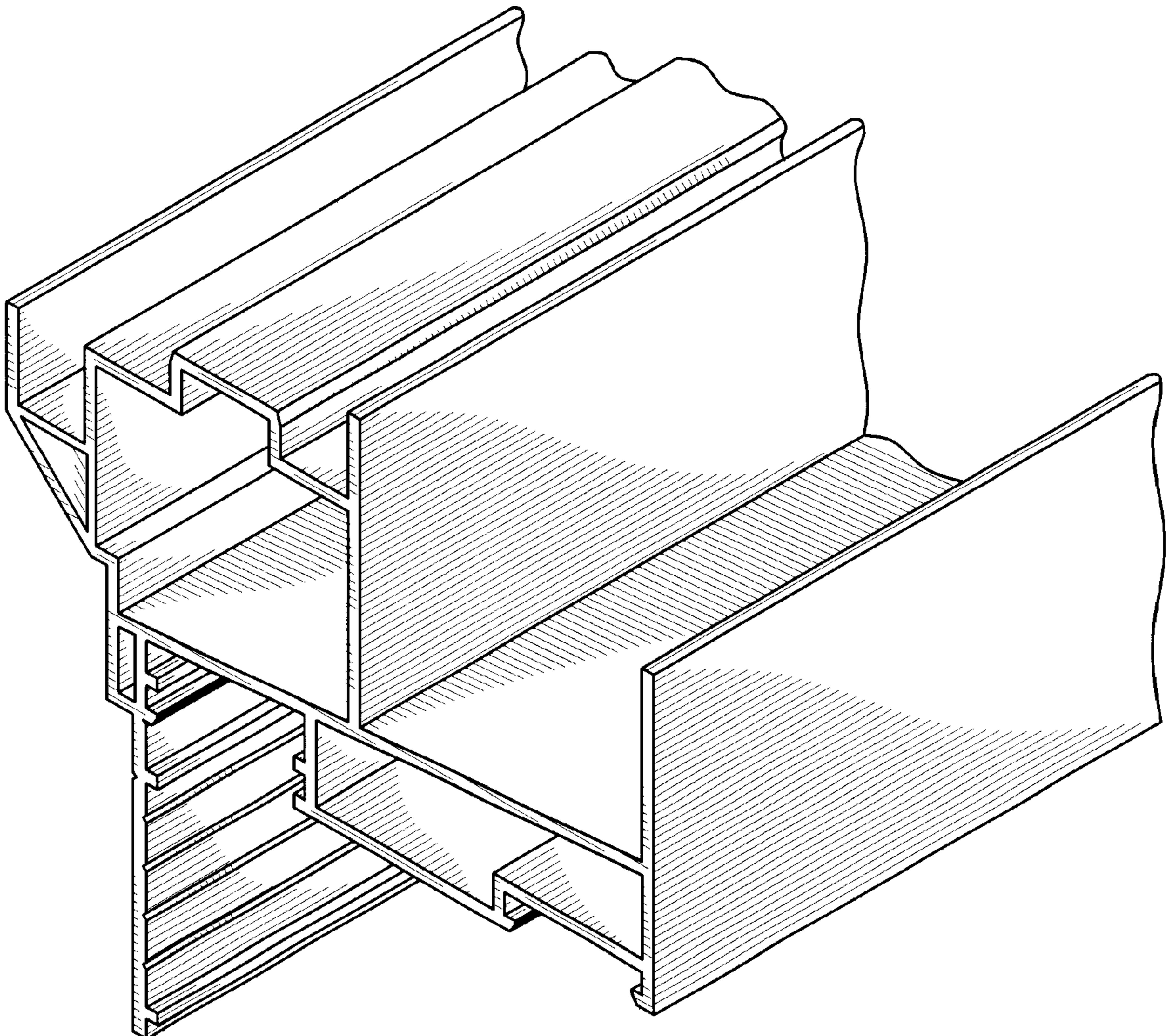
The FIGURE is a front perspective view of a flush fin head for single hung window, showing our new design, the rear perspective view being a mirror image thereof and is shown fragmented indicating indefinite length.

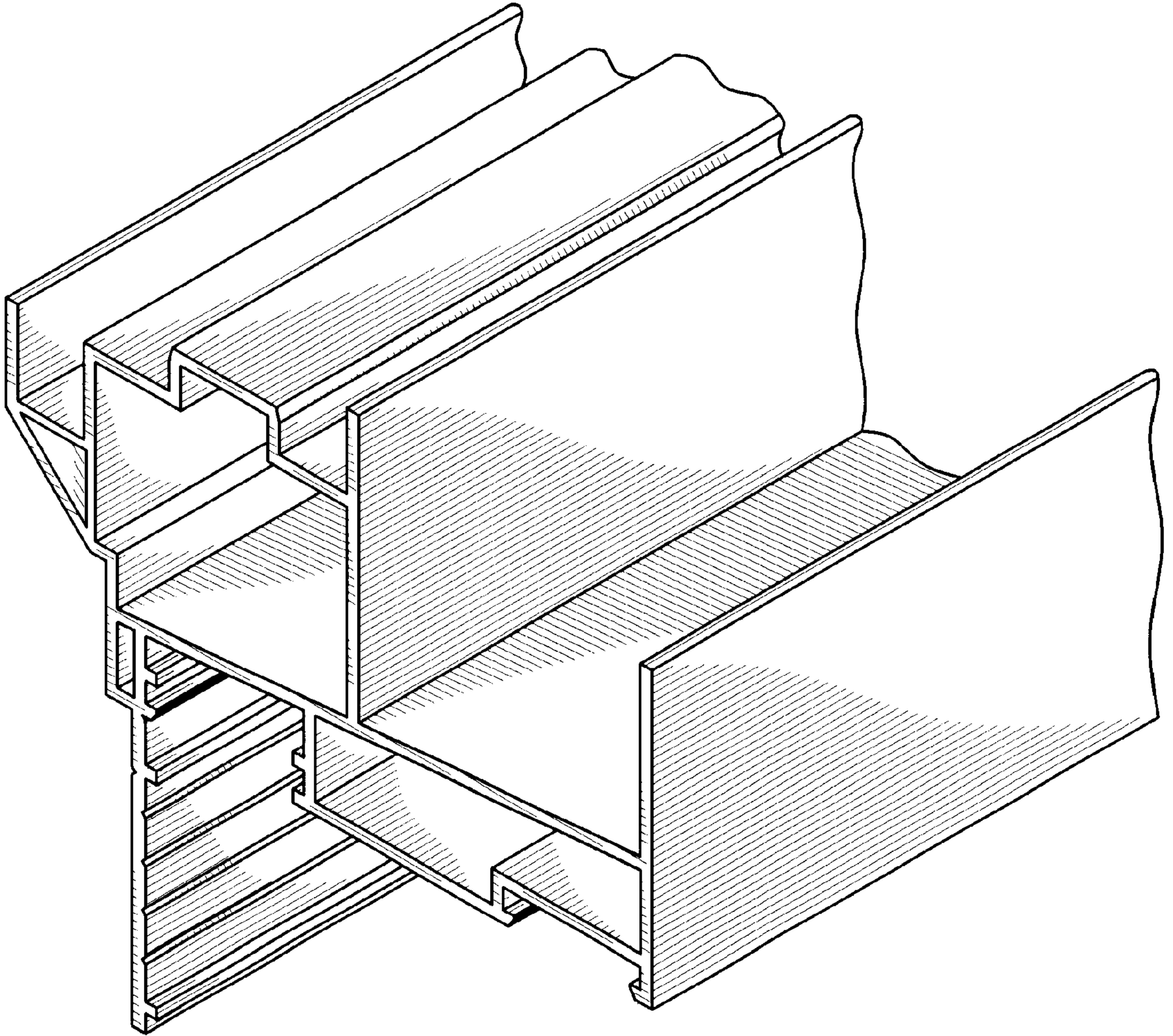
(22) **Filed:** **Sep. 1, 2000**

(51) **LOC (7) Cl.** ..... **25-01**

(52) **U.S. Cl.** ..... **D25/124**

**1 Claim, 1 Drawing Sheet**





THE FIGURE