



US00D454211S

(12) **United States Design Patent**  
**Jones**

(10) **Patent No.:** **US D454,211 S**

(45) **Date of Patent:** **\*\* Mar. 5, 2002**

(54) **LATTICE**

(76) **Inventor:** **Rodney P. L. Jones**, 28 Sunset Dr.  
North, Fort George Heights, St. Michael  
(BB)

(\*\*) **Term:** **14 Years**

(21) **Appl. No.:** **29/143,098**

(22) **Filed:** **Jun. 8, 2001**

(51) **LOC (7) Cl.** ..... **08-99**

(52) **U.S. Cl.** ..... **D25/100**

(58) **Field of Search** ..... D25/100, 101;  
52/660, 664, 663, 665, 666, 667, 668, 669,  
652.1, 638, 637

(56) **References Cited**

**U.S. PATENT DOCUMENTS**

2,672,658 A	3/1954	Pedersen	
4,646,468 A	3/1987	Erceg	
D296,935 S	7/1988	Erceg	
D302,177 S	7/1989	Evenson	
4,907,389 A *	3/1990	Pettit	52/668
D357,073 S	4/1995	Reum	

D360,088 S 7/1995 Walters, III et al.

D366,532 S 1/1996 Herbst et al.

D402,381 S 12/1998 Gruda et al.

D422,436 S 4/2000 Fisher

D423,687 S 4/2000 Cantley

\* cited by examiner

*Primary Examiner*—Doris Clark

(74) *Attorney, Agent, or Firm*—Malloy & Malloy, P.A

(57) **CLAIM**

The ornamental design for lattice, as shown and described.

**DESCRIPTION**

FIG. 1 is a top perspective view illustrating my design for a lattice;

FIG. 2 is a top perspective view illustrating an alternate embodiment of my design;

FIG. 3 is a top view of my design;

FIG. 4 is a left side view of my design;

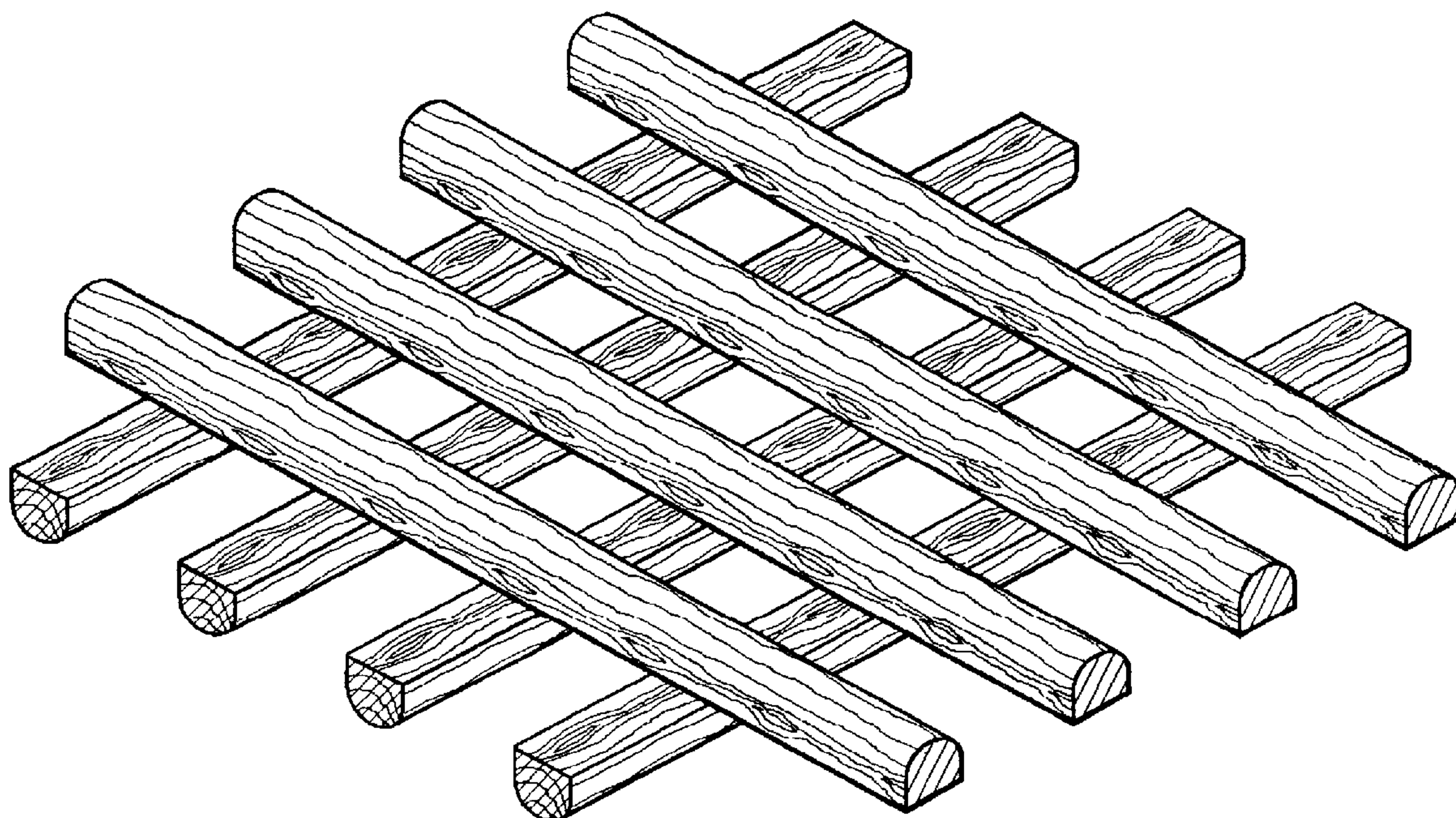
FIG. 5 is a front view of my design;

FIG. 6 is a right side view of my design;

FIG. 7 is a rear view of my design; and,

FIG. 8 is a bottom view of my design.

**1 Claim, 3 Drawing Sheets**





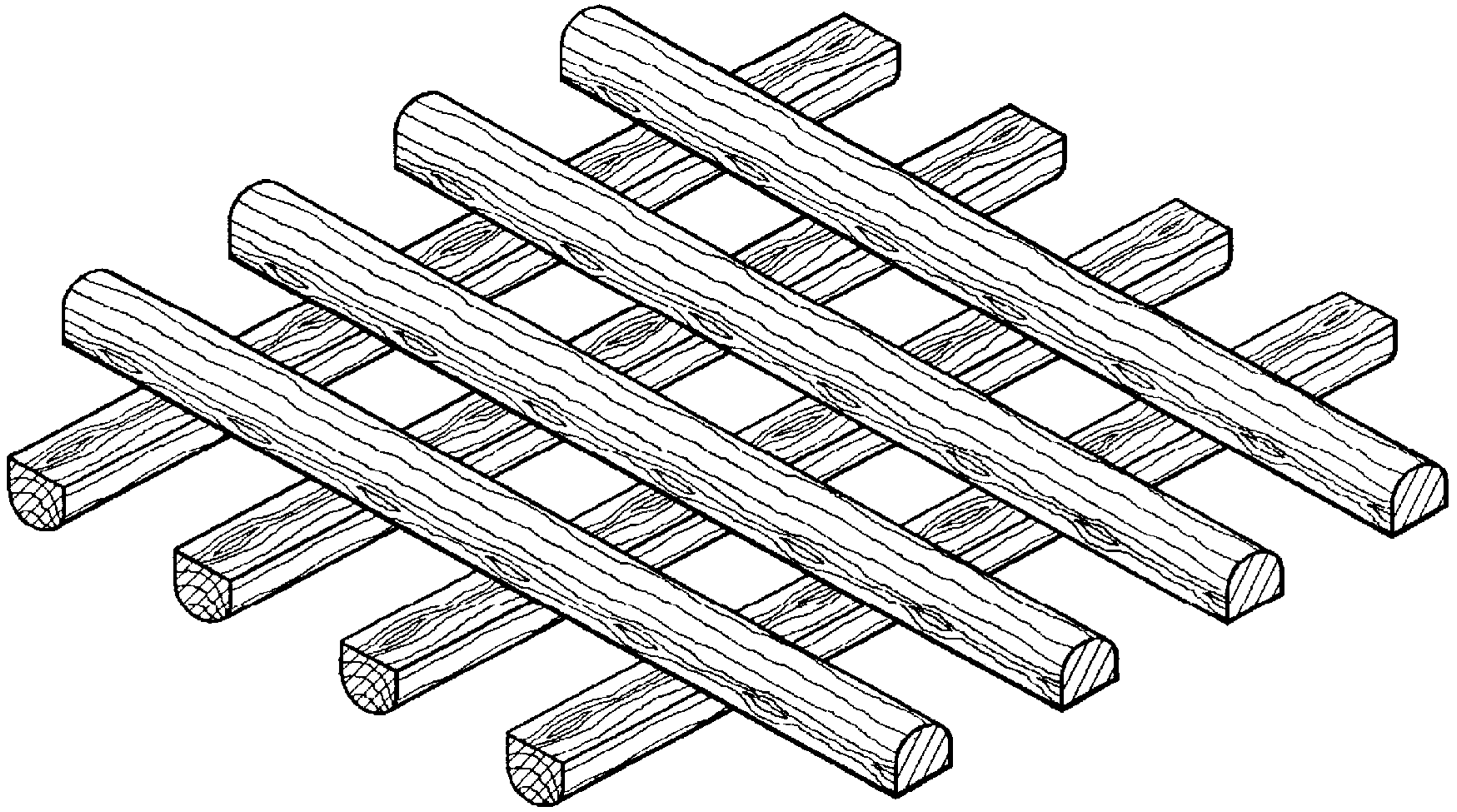


FIG. 1

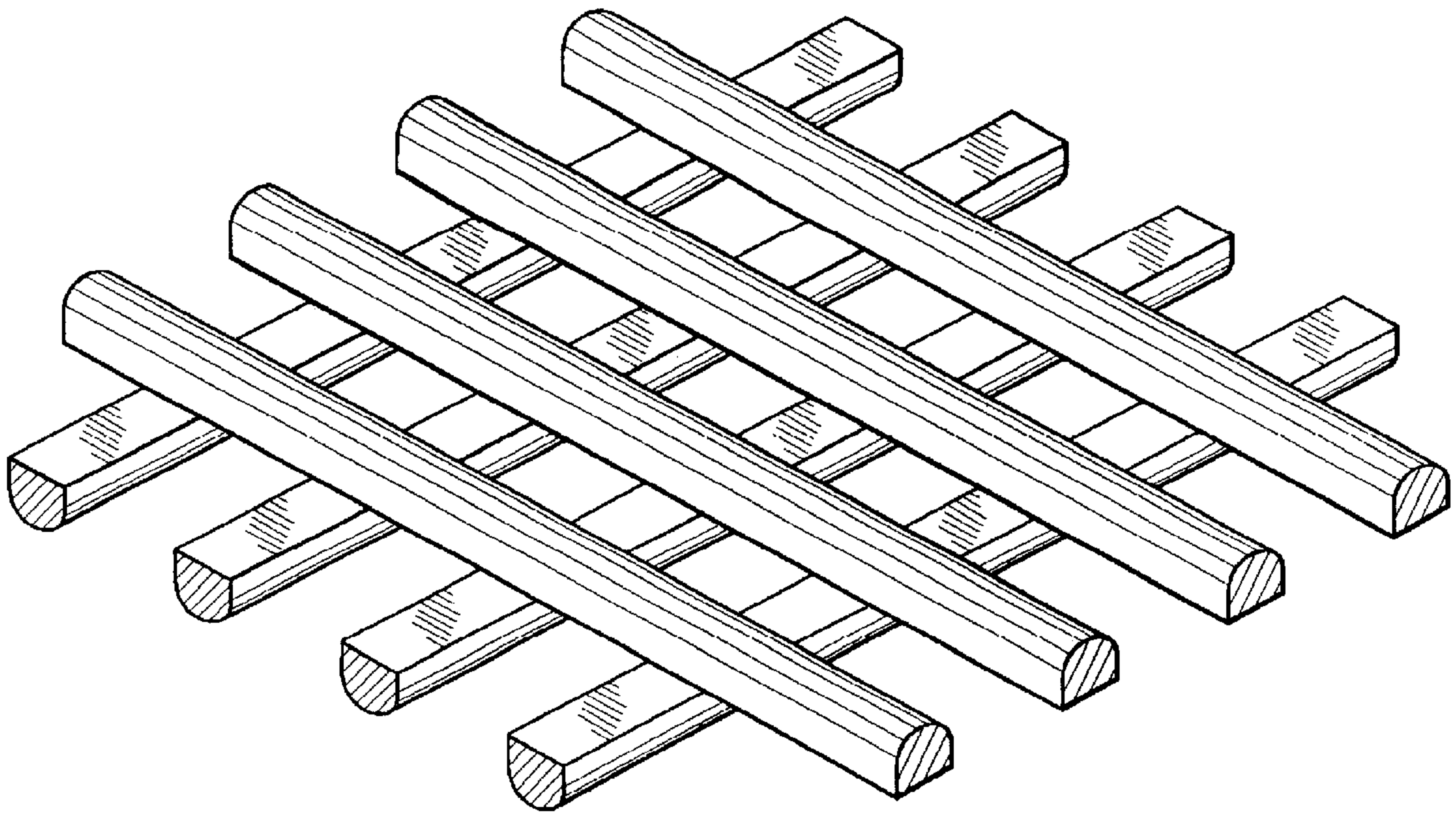


FIG. 2

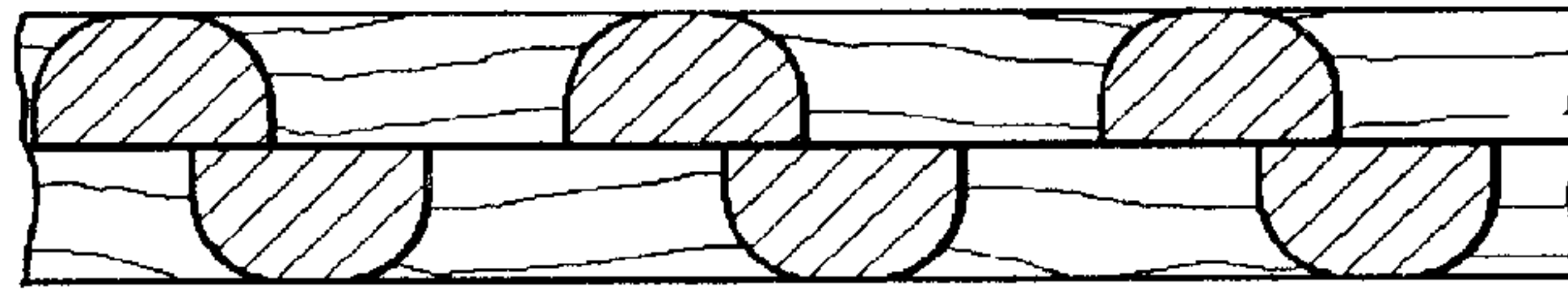


FIG. 5

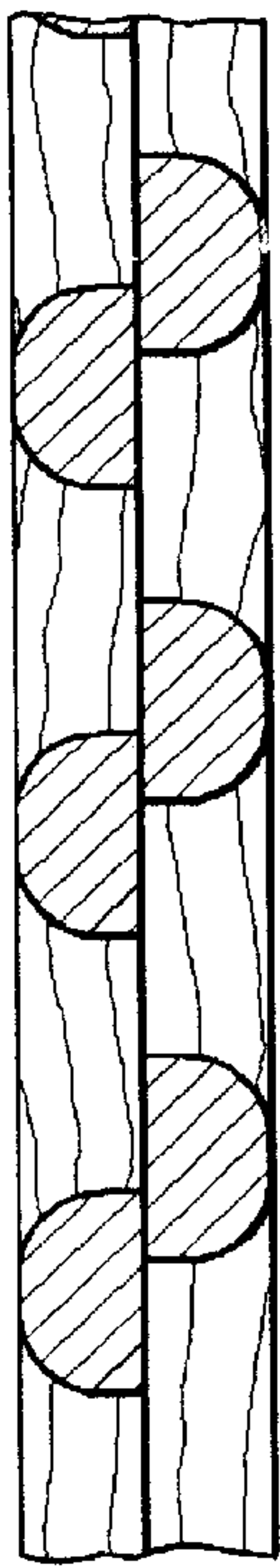


FIG. 4

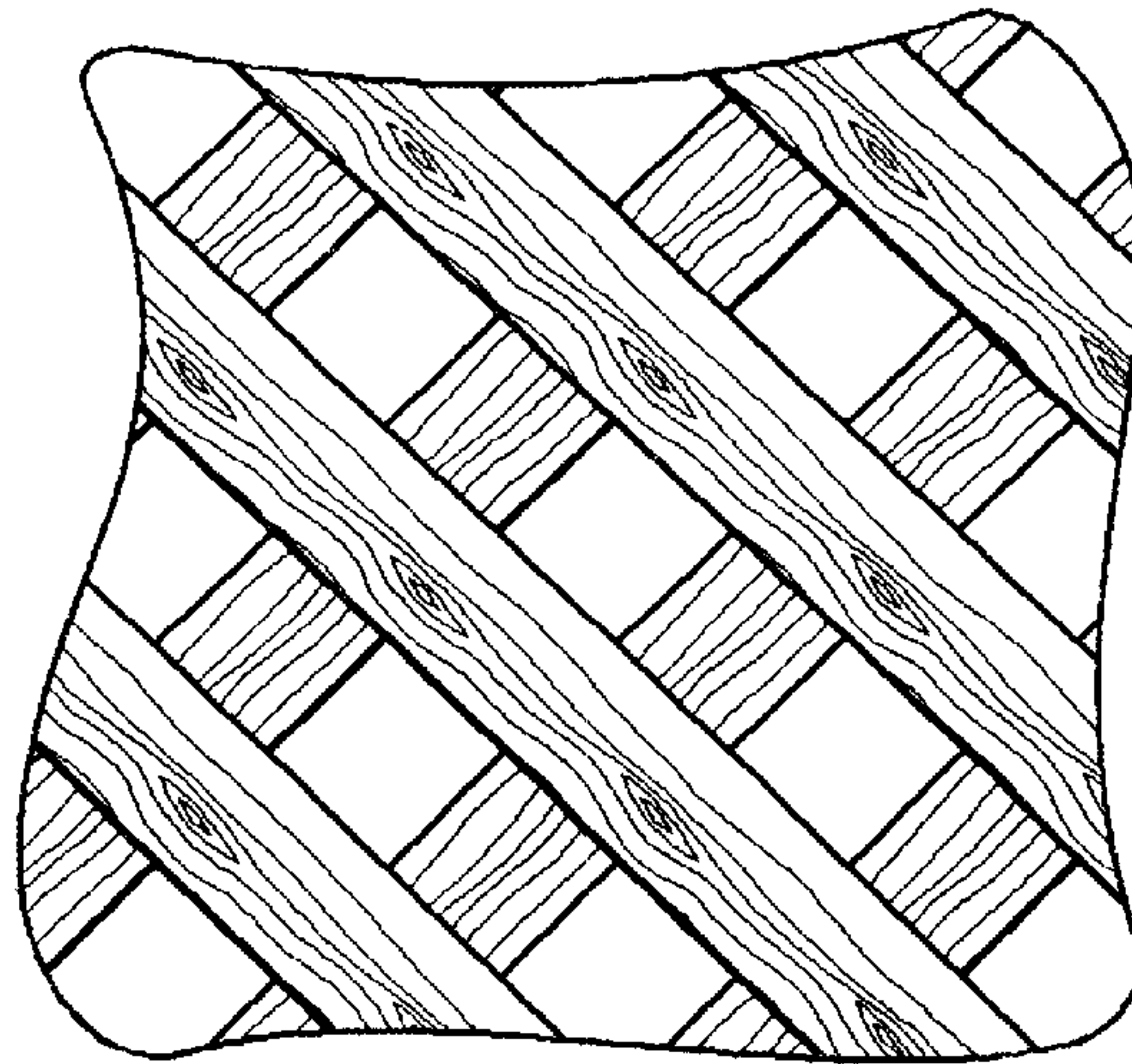


FIG. 3

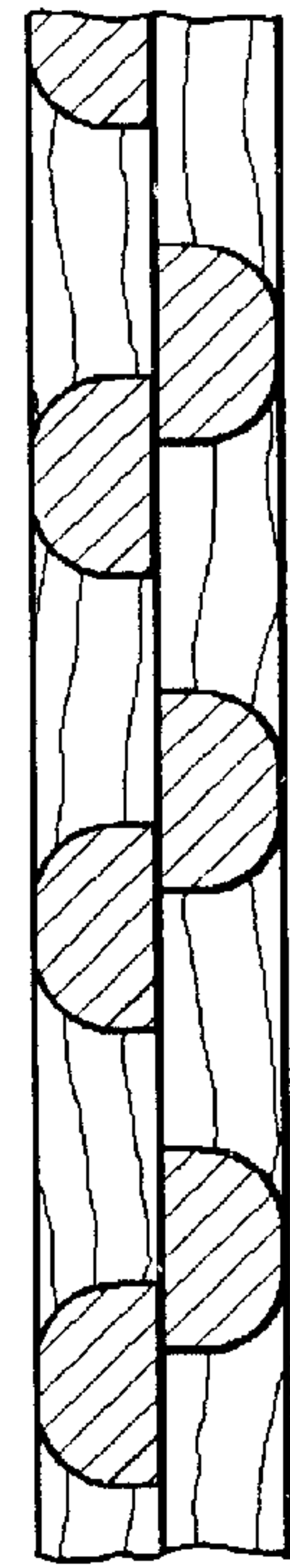


FIG. 6

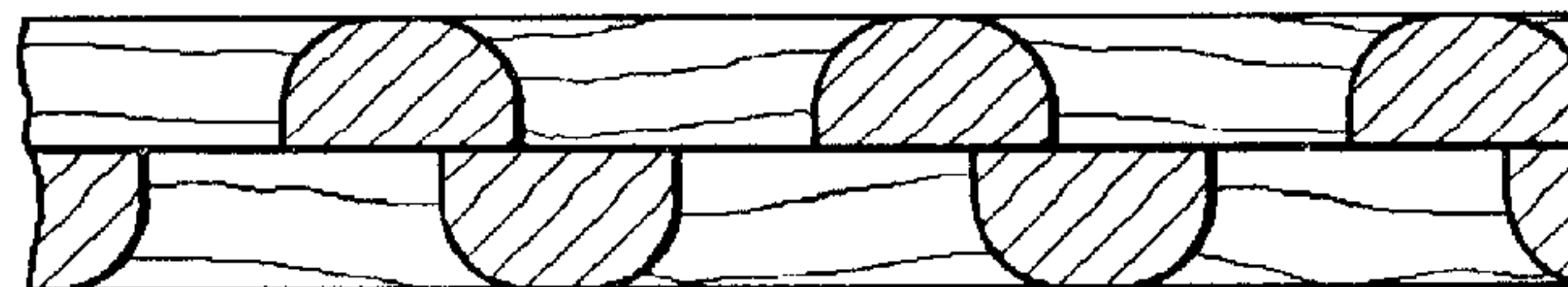


FIG. 7



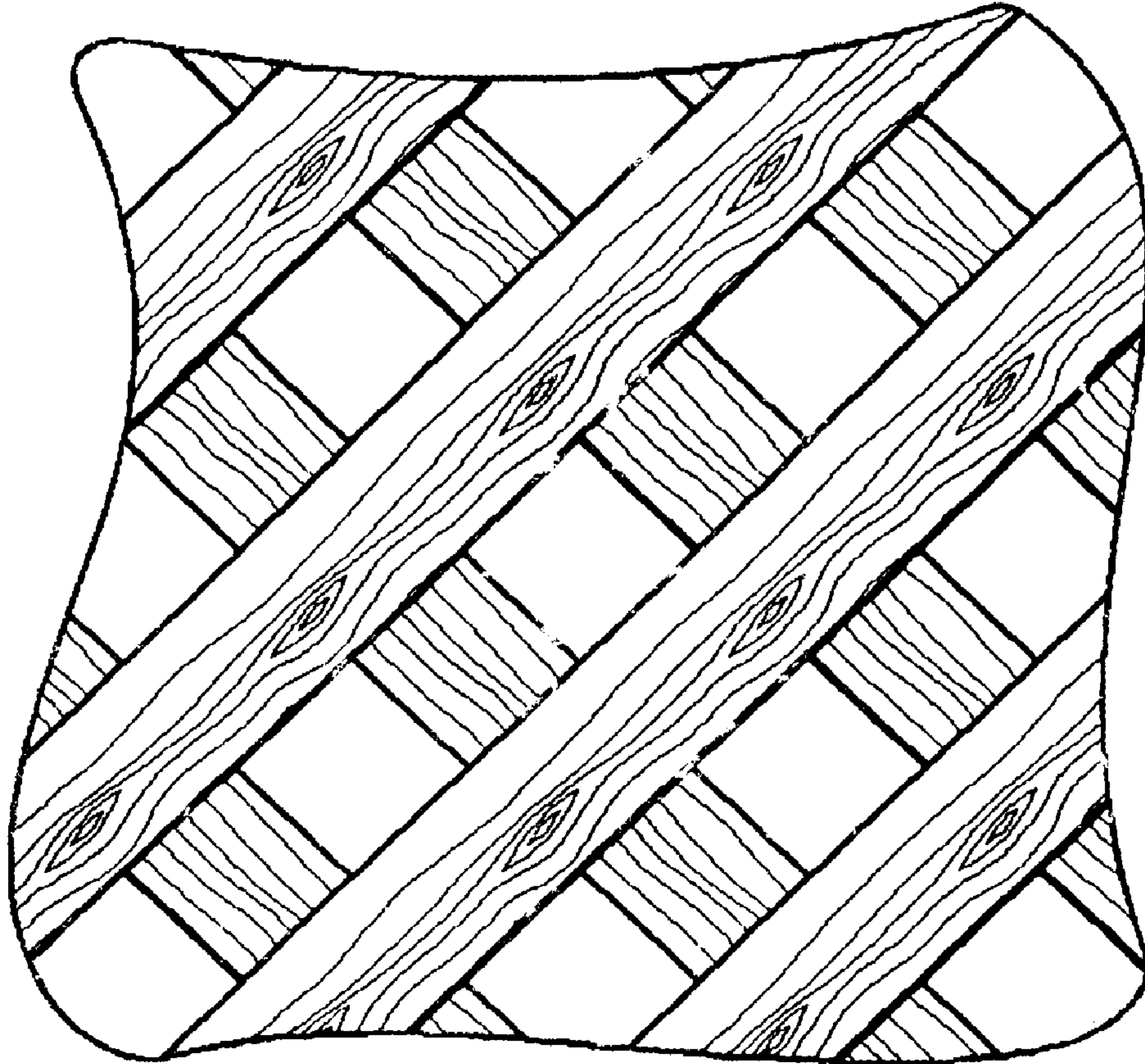


FIG. 8