



US00D454210S

(12) **United States Design Patent**  
**Lindgren et al.**

(10) **Patent No.:** **US D454,210 S**  
(45) **Date of Patent:** **\*\* Mar. 5, 2002**

(54) **WINDOW COMPONENT FOR A ROOF WINDOW INSTALLATION**

(75) Inventors: **Claes Lindgren**, Farum; **Birgitte Hansen**, Valby, both of (DK); **Samuel Howard Darmer**, Greenwood, SC (US); **Morten Falk Reventlow**, Frederiksberg (DK); **Brent Møller**, Gentofte (DK); **Lars Erdmann**, Copenhagen (DK)

(73) Assignee: **VKR Holding A/S**, Søborg (DK)

(\*\*) Term: **14 Years**

(21) Appl. No.: **29/138,332**

(22) Filed: **Mar. 12, 2001**

(51) **LOC (7) Cl.** ..... **25-02**

(52) **U.S. Cl.** ..... **D25/60**

(58) **Field of Search** ..... 52/204.1, 205;  
49/DIG. 2, 504; D25/60

(56) **References Cited**

**U.S. PATENT DOCUMENTS**

4,796,400 A \* 1/1989 Mulder ..... 49/DIG. 2  
5,913,785 A 6/1999 Moller et al.  
D416,626 S \* 11/1999 Moller et al. .... D25/60

**FOREIGN PATENT DOCUMENTS**

WO WO 98/22682 5/1998  
WO WO 98/22684 5/1998  
WO WO 98/22685 5/1998  
WO WO 98/22686 5/1998

\* cited by examiner

*Primary Examiner*—Doris Clark

(74) *Attorney, Agent, or Firm*—Venable; John P. Shannon;  
Chad C. Anderson

(57) **CLAIM**

The ornamental design for a window component for a roof window installation, as shown and described.

**DESCRIPTION**

FIG. 1 is a front elevational view of a first embodiment of the window component for a roof window installation showing our design;

FIG. 2 is a top plan view of the window component for a roof window installation;

FIG. 3 is a left side elevational view of the window component for a roof window installation;

FIG. 4 is a rear elevational view of the window component for a roof window installation;

FIG. 5 is a perspective view taken from the front, top and left side of the window component for a roof window installation;

FIG. 6 is a front elevational view of a second embodiment of the window component for a roof window installation;

FIG. 7 is a top plan view of the window component for a roof window installation;

FIG. 8 is a left side elevational view of the window component for a roof window installation;

FIG. 9 is a rear elevational view of the window component for a roof window installation;

FIG. 10 is a perspective view taken from the front, top and left side of the window component for a roof window installation;

FIG. 11 is a front elevational view of a third embodiment of the window component for a roof window installation;

FIG. 12 is a top plan view of the window component for a roof window installation;

FIG. 13 is a left side elevational view of the window component for a roof window installation;

FIG. 14 is a rear elevational view of the window component for a roof window installation; and,

FIG. 15 is a perspective view taken from the front, top and left side of the window component for a roof window installation.

The right side of each of the embodiments of FIGS. 1, 6 and 11 is a mirror image of the left side.

**1 Claim, 9 Drawing Sheets**

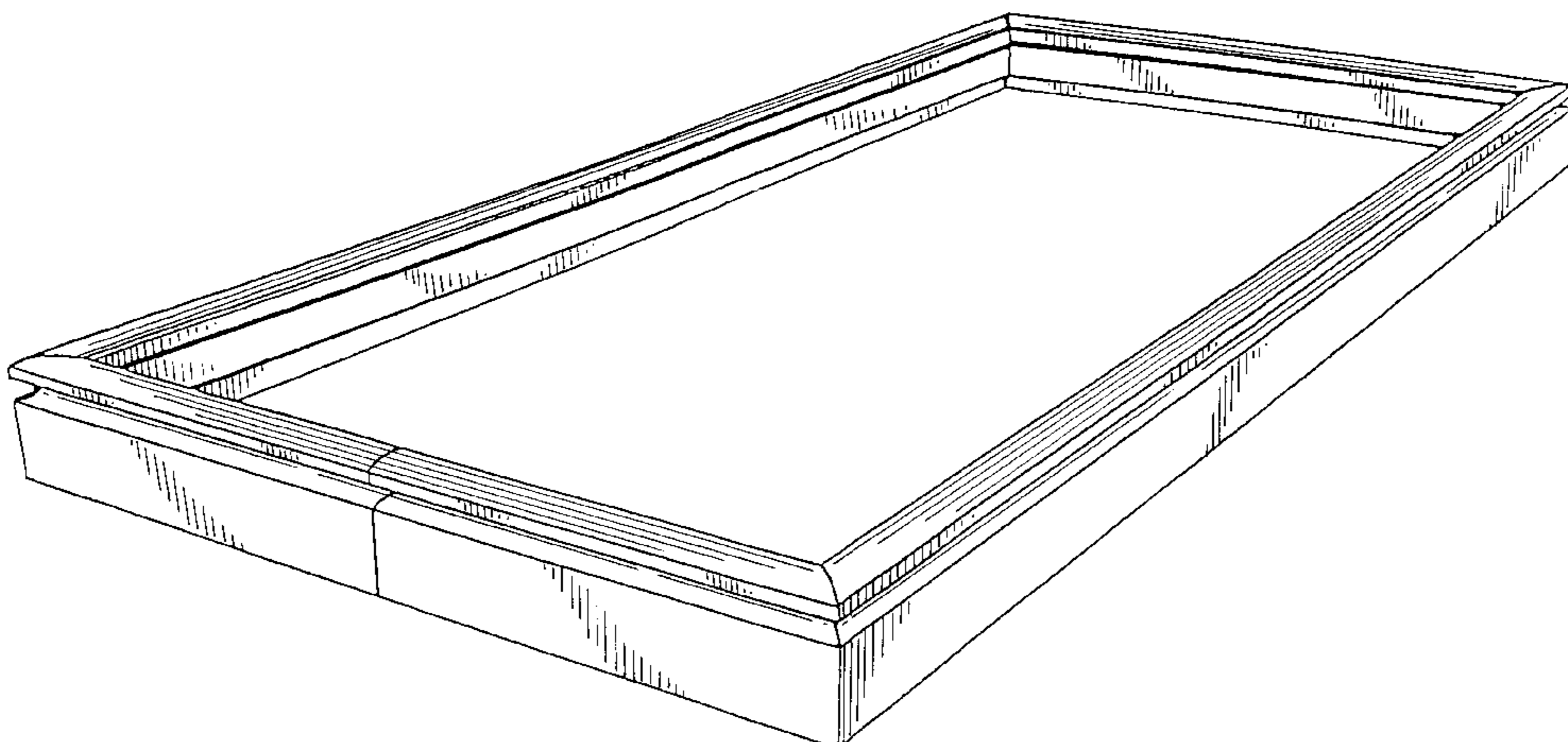


FIG. 2

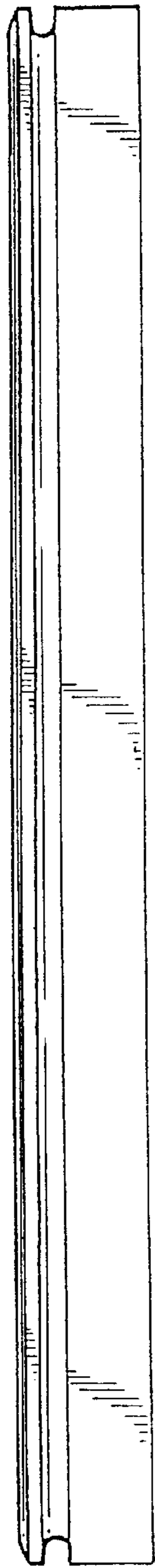
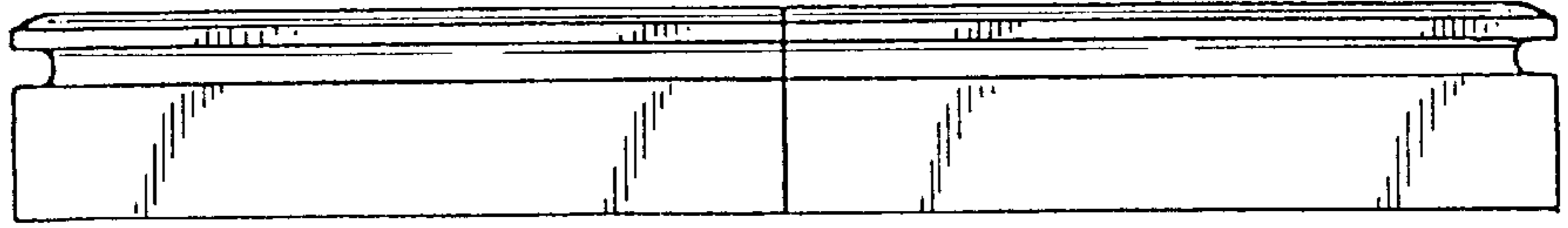


FIG. 3

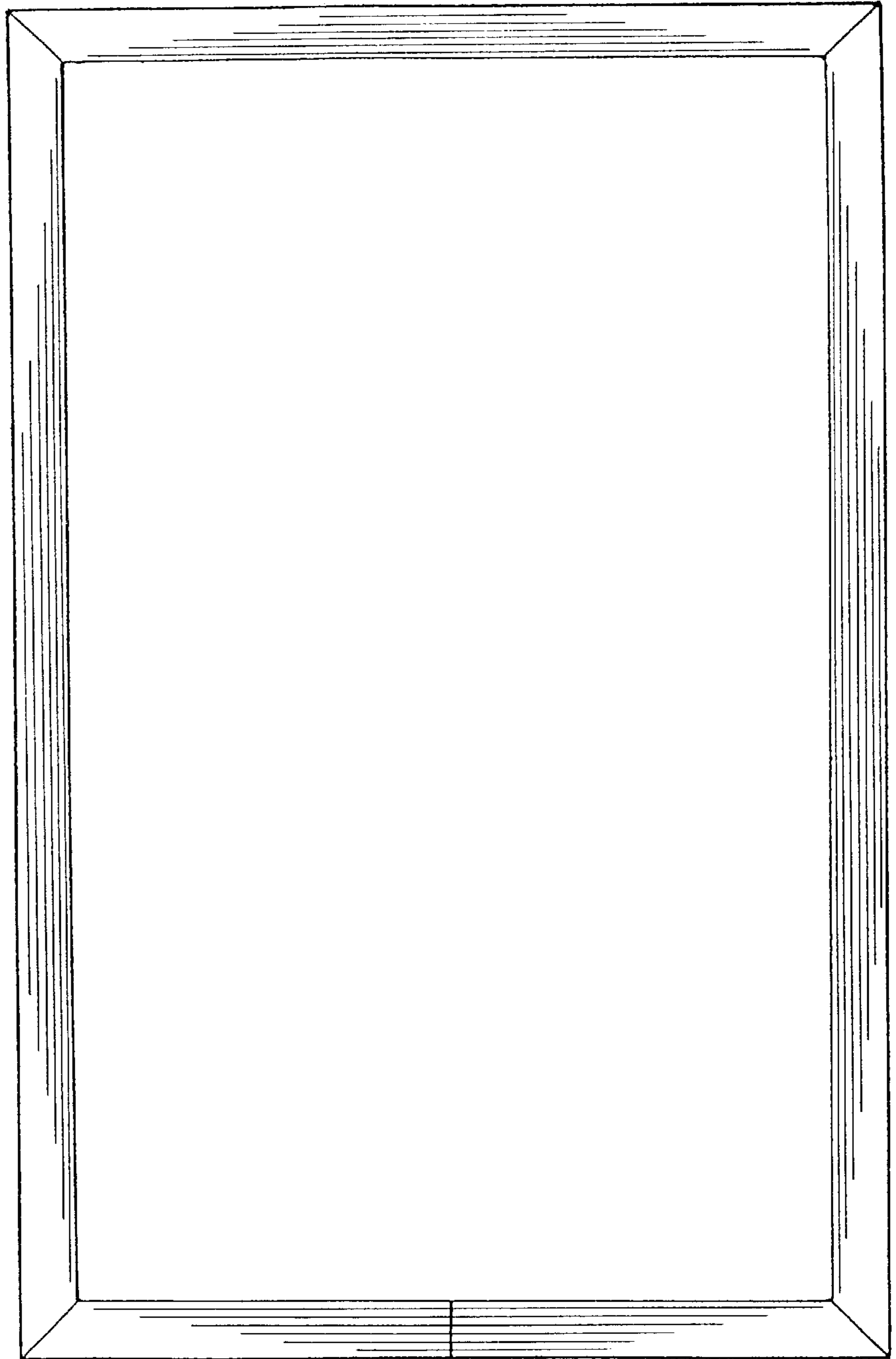
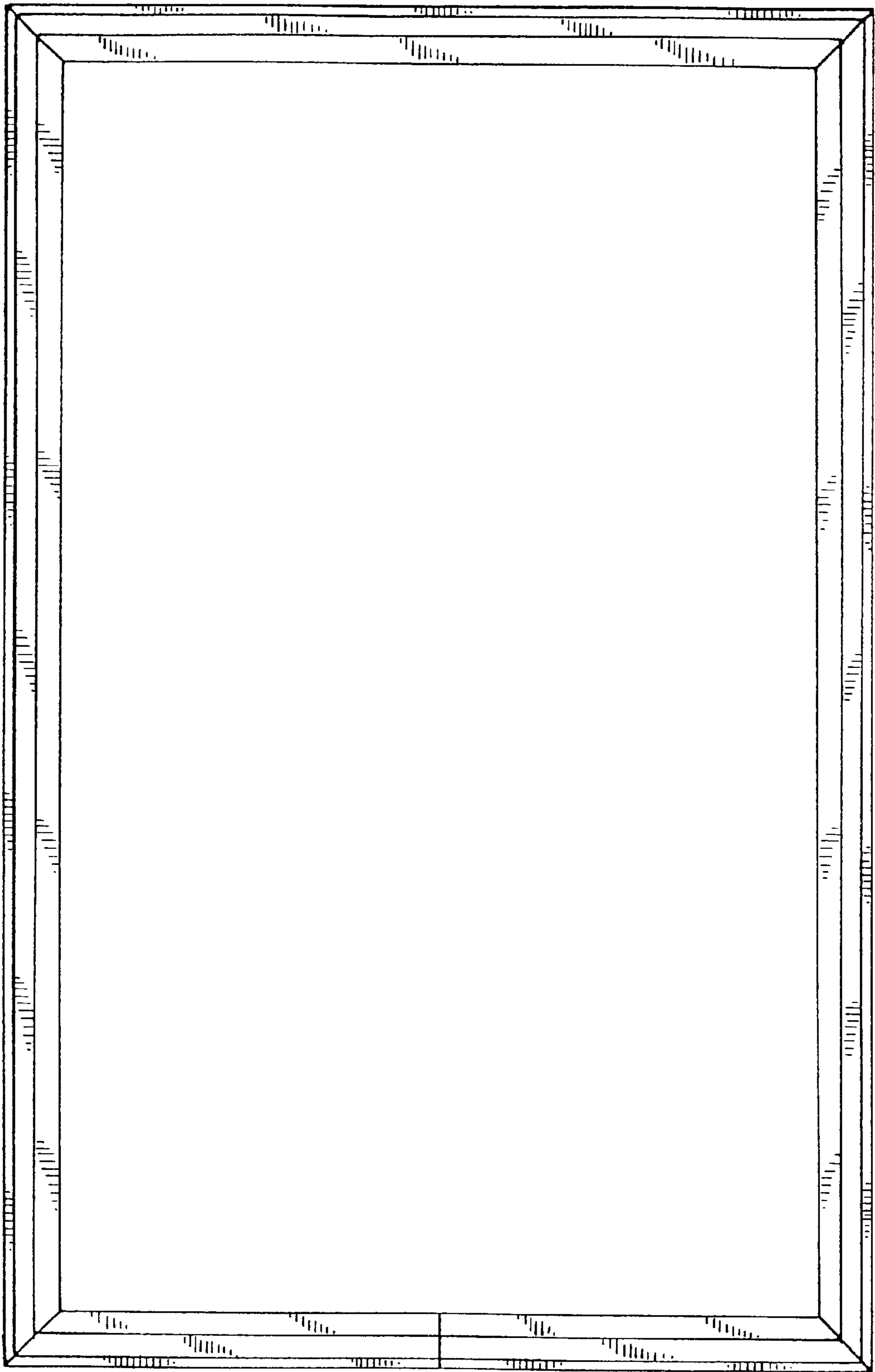


FIG. 1

FIG. 4



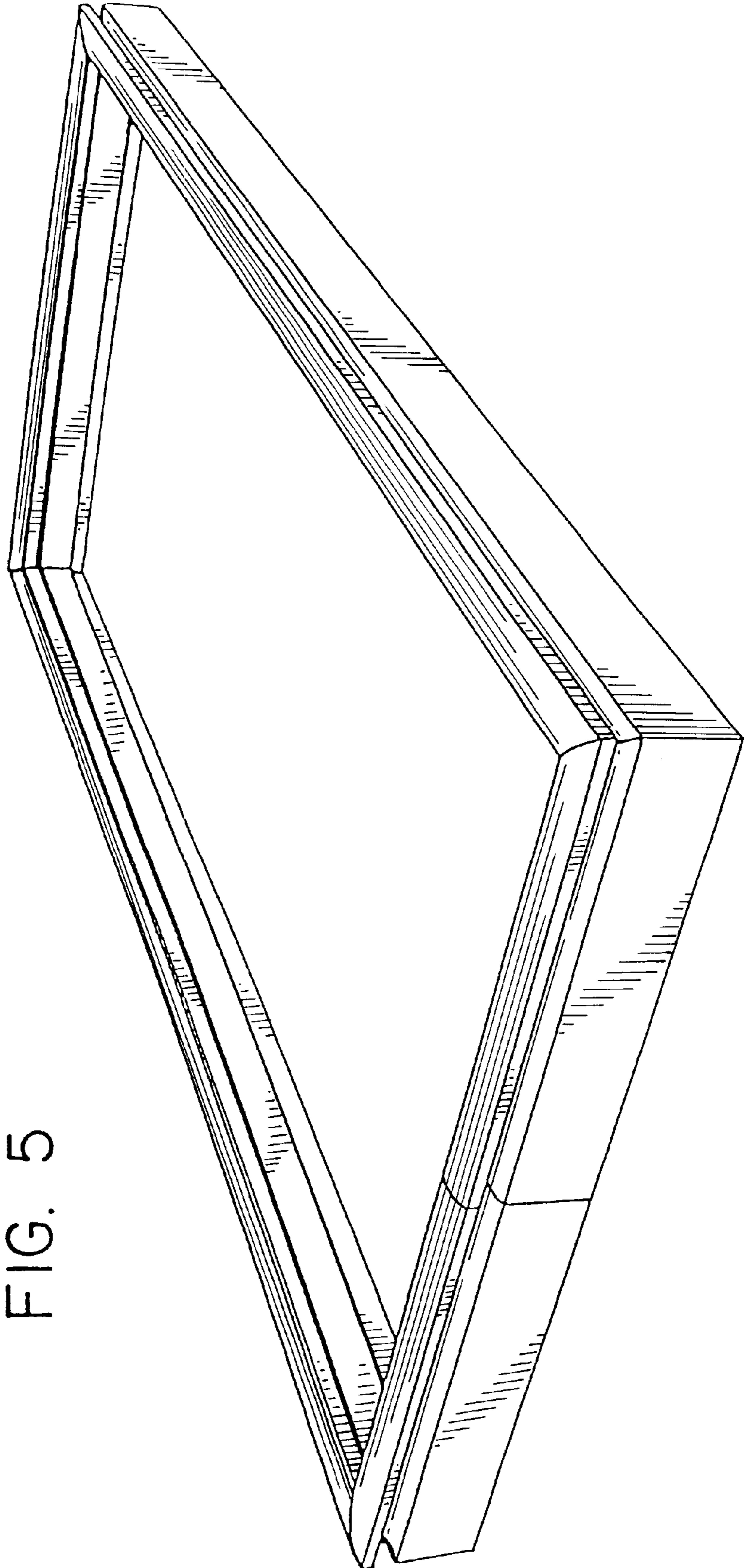


FIG. 5



FIG. 7

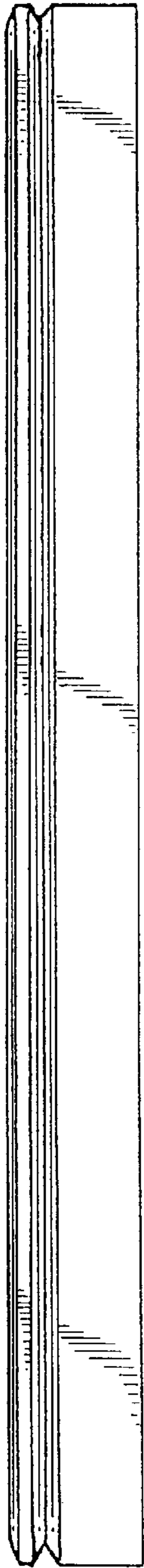
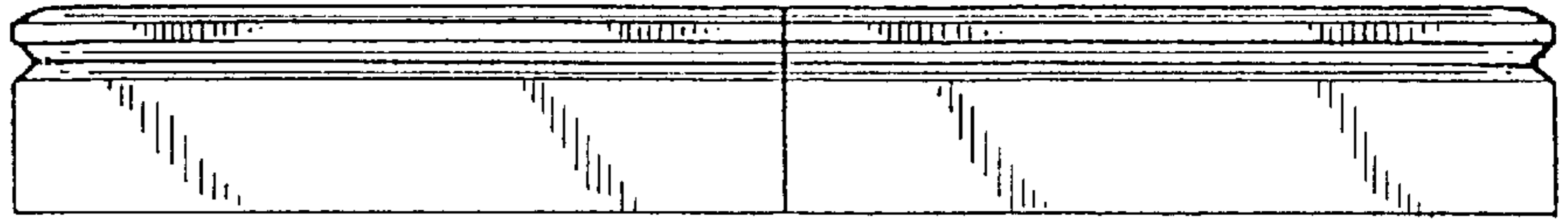


FIG. 8

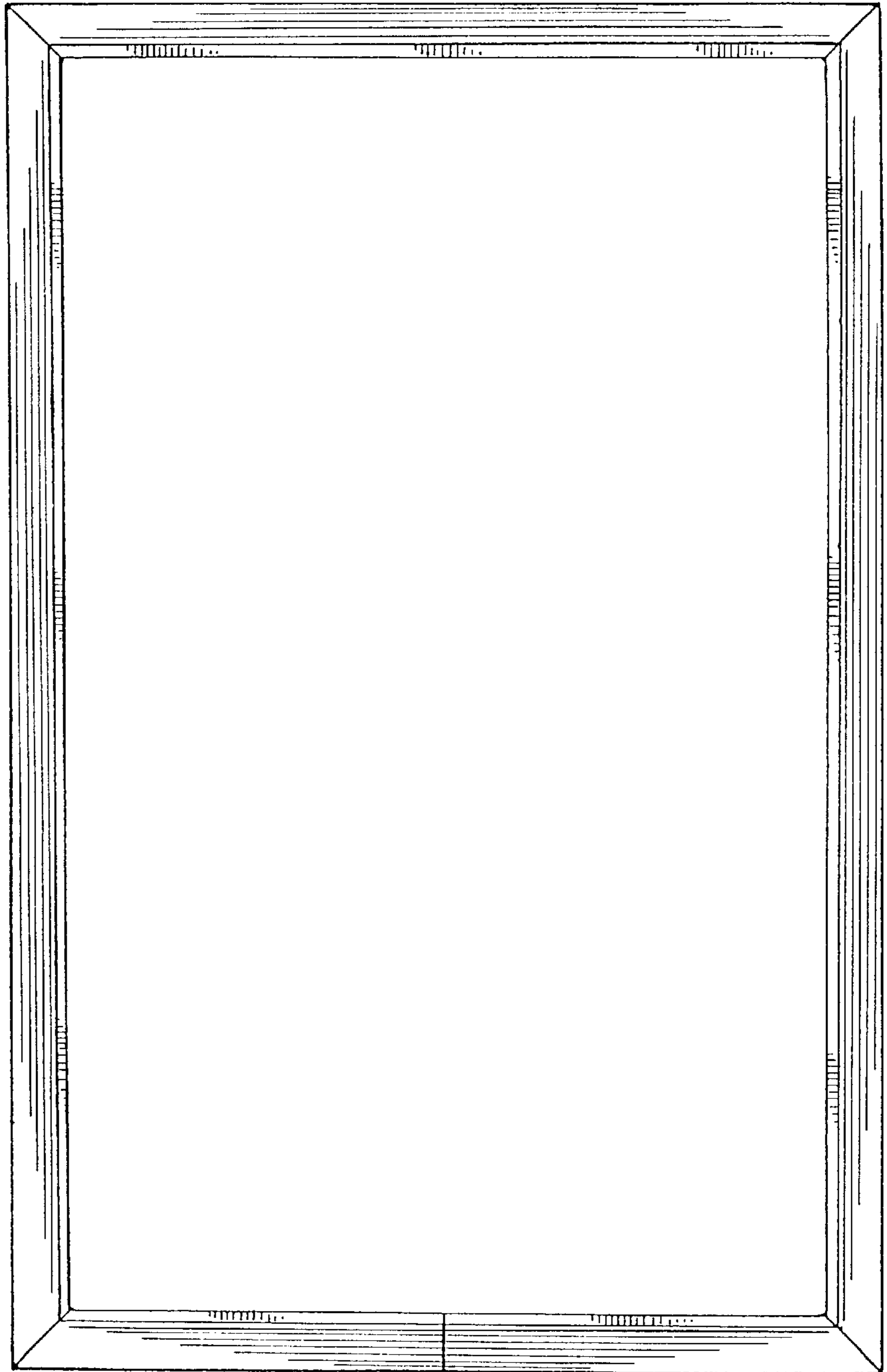
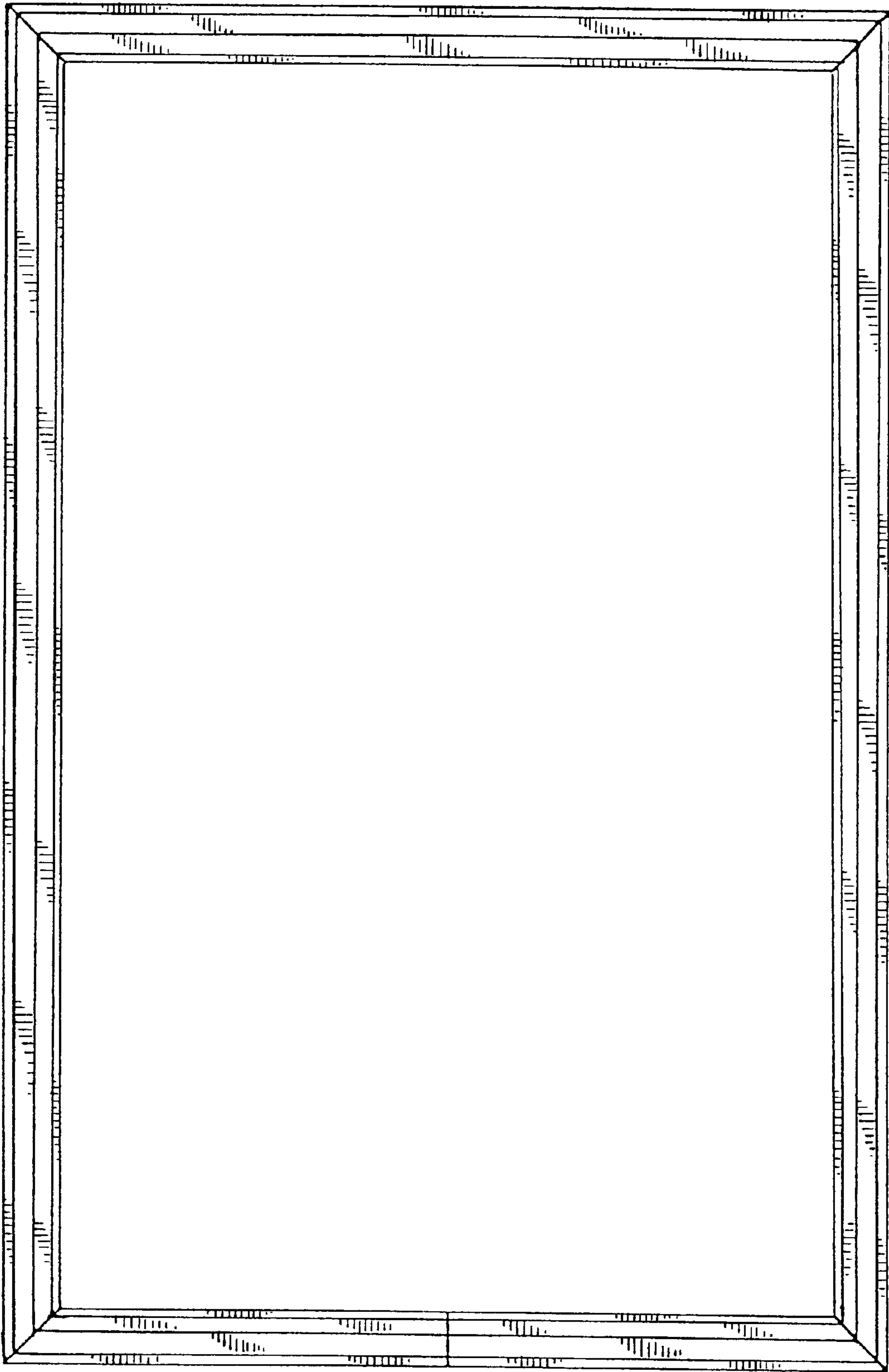


FIG. 6

FIG. 9



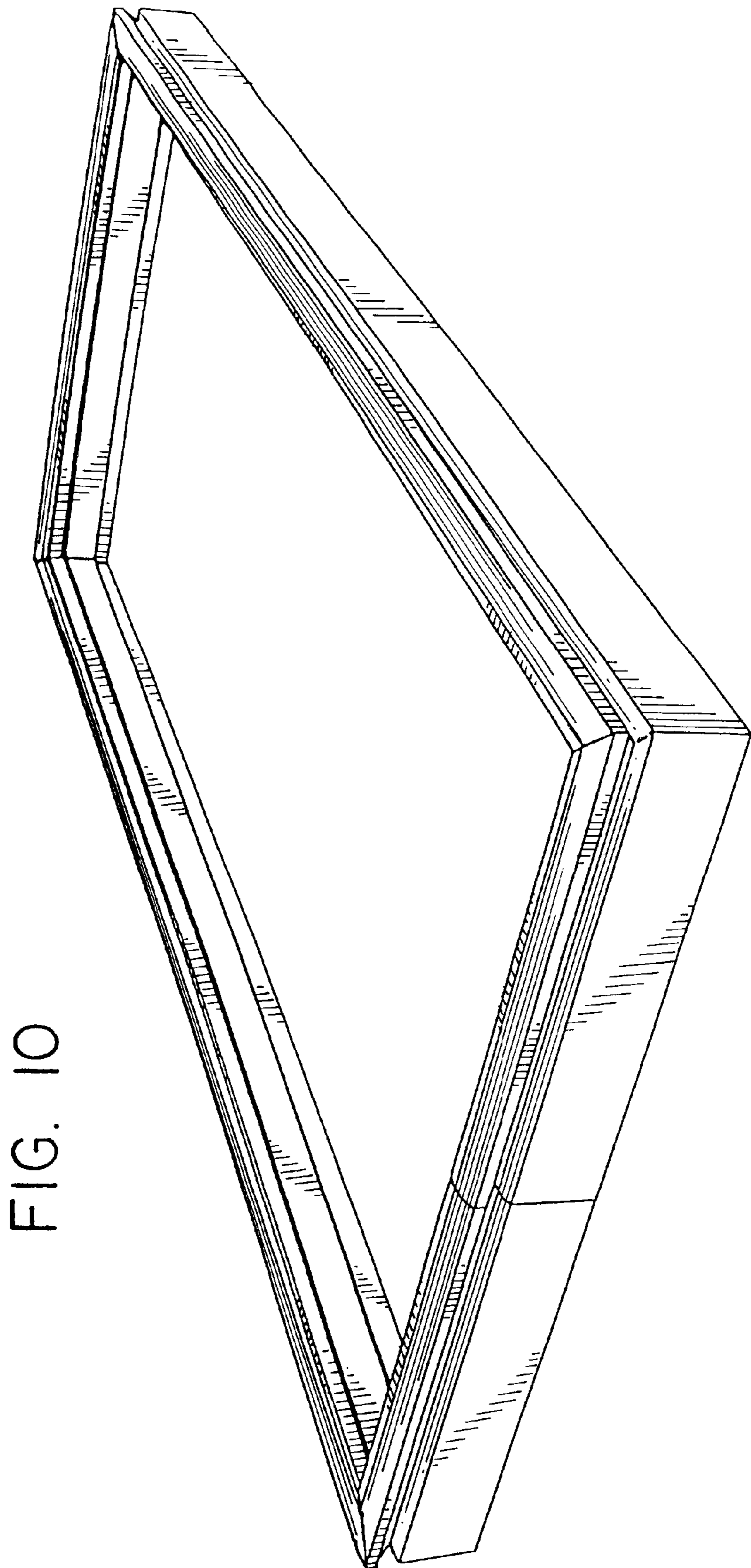


FIG. 10

FIG. 12

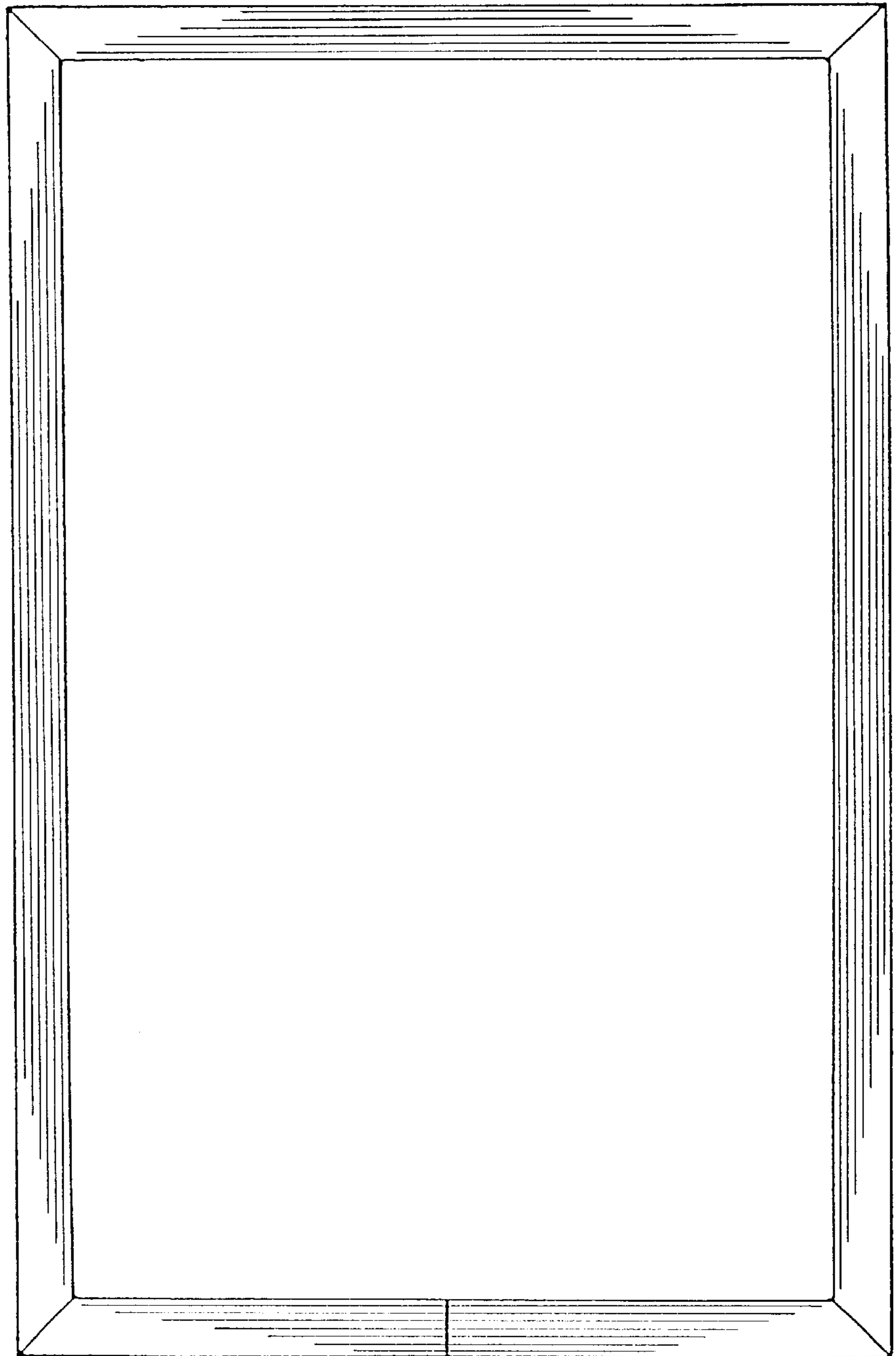
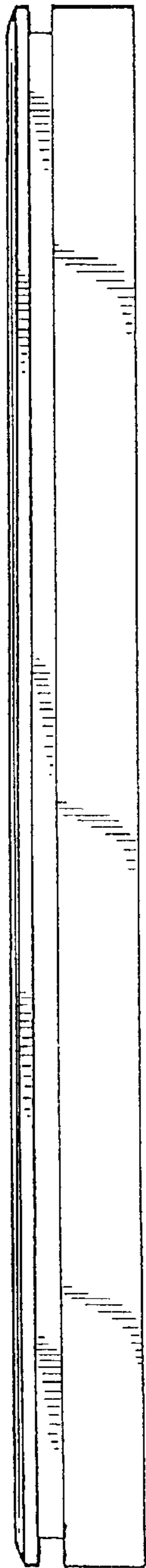
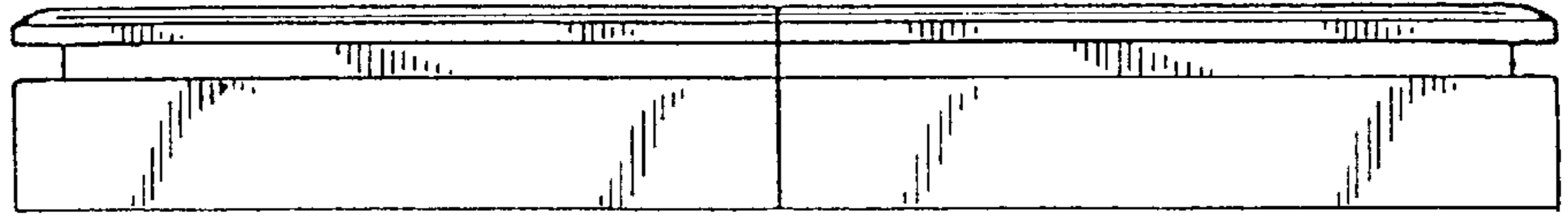
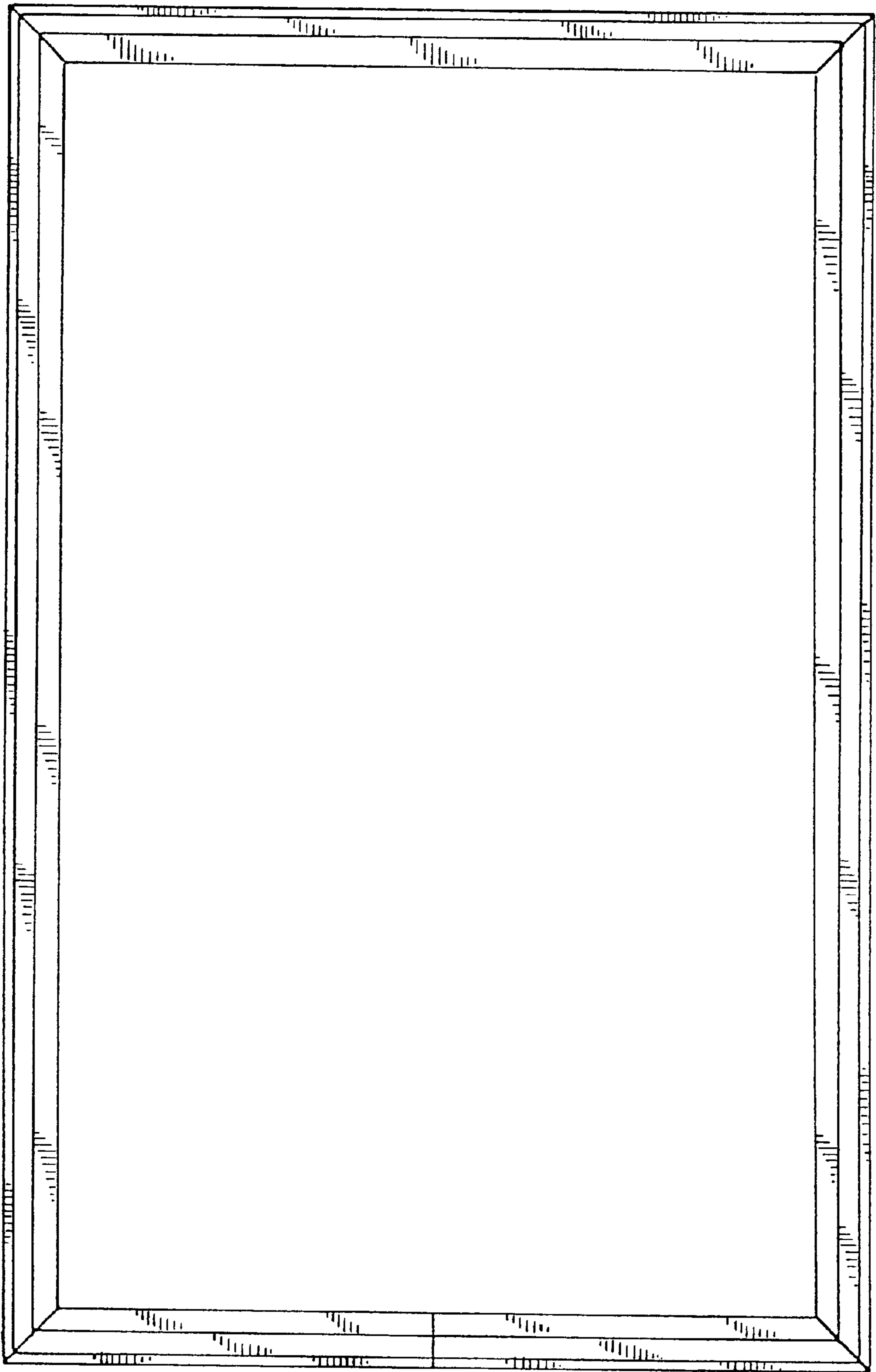


FIG. 13

FIG. 11



FIG. 14



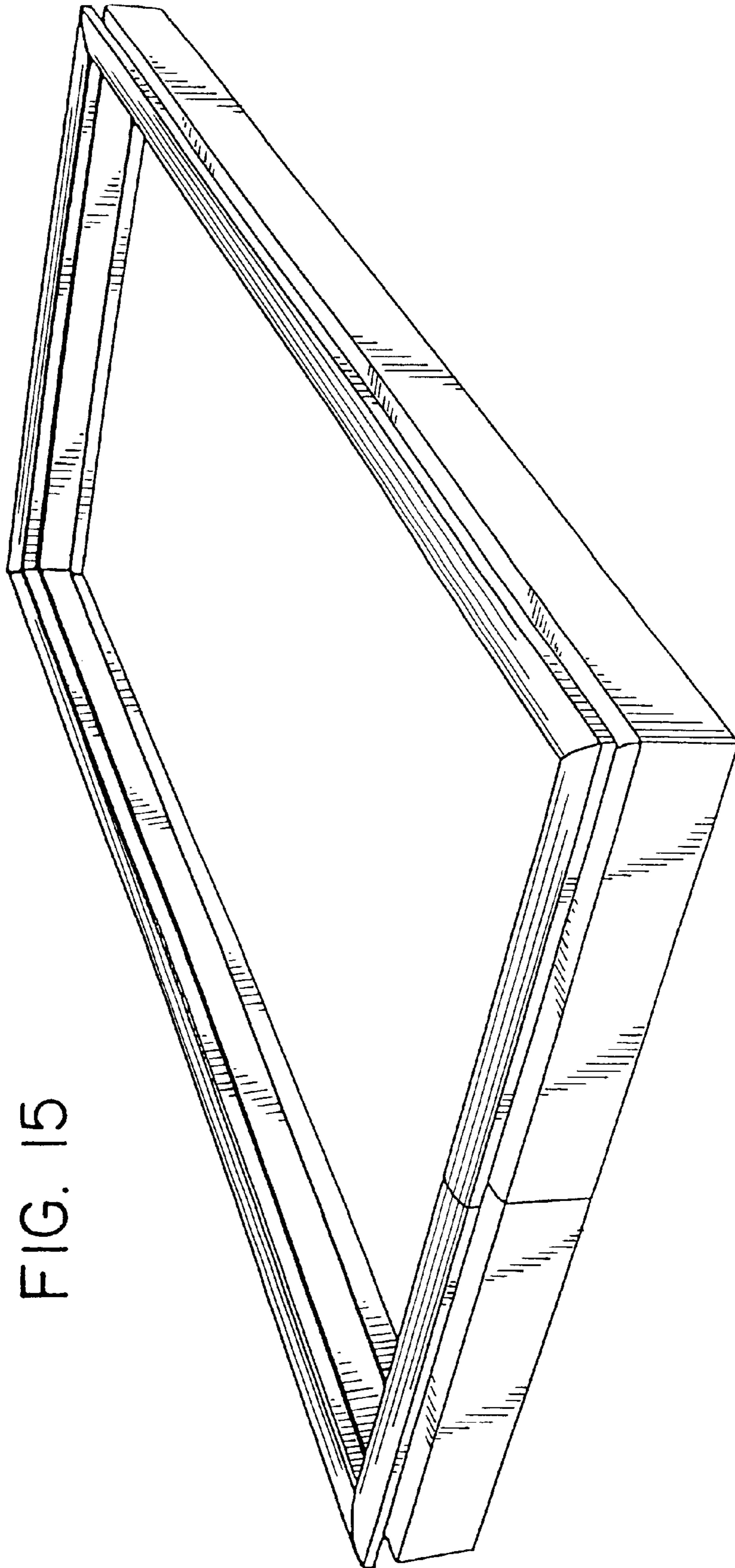


FIG. 15