



US00D454205S

(12) **United States Design Patent**
Spicer

(10) **Patent No.:** **US D454,205 S**

(45) **Date of Patent:** **** Mar. 5, 2002**

(54) **ABOVE-GROUND SWIMMING POOL**

(76) **Inventor:** **Wade L. Spicer**, P.O. Box 287,
Talmedge HL S, Waverly, NY (US)
14892

(**) **Term:** **14 Years**

(21) **Appl. No.:** **29/141,880**

(22) **Filed:** **May 16, 2001**

(51) **LOC (7) Cl.** **25-03**

(52) **U.S. Cl.** **D25/2**

(58) **Field of Search** D25/2; 4/488

(56) **References Cited**

U.S. PATENT DOCUMENTS

D307,939 S * 5/1990 Laputka D25/2
5,720,056 A * 2/1998 Aymes 4/488

* cited by examiner

Primary Examiner—Doris Clark

(74) *Attorney, Agent, or Firm*—Thomas R. Shaffer, Esq.

(57) **CLAIM**

I claim the ornamental design for an above-ground swimming pool, as shown and described.

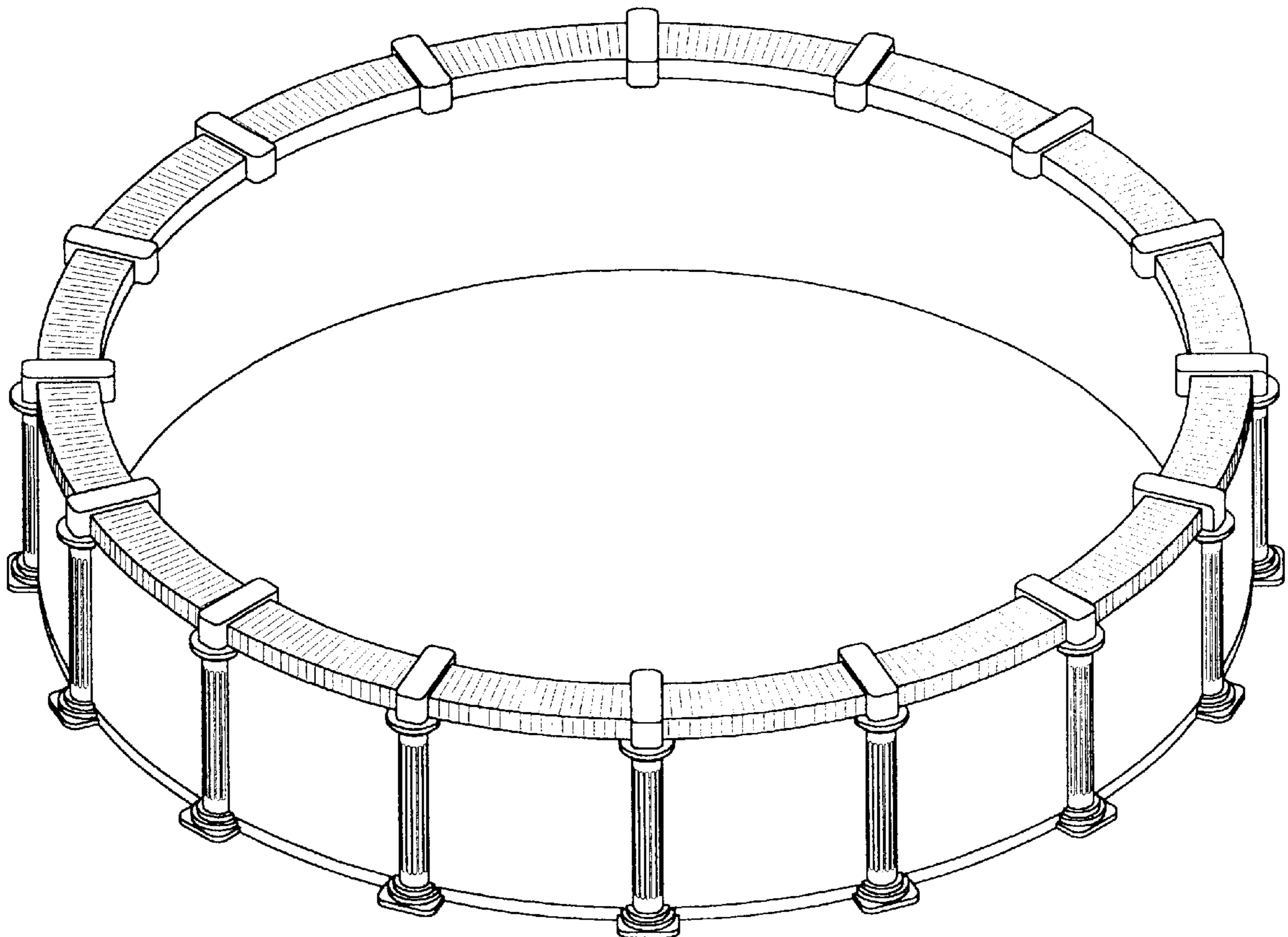
DESCRIPTION

FIG. 1 is a side view showing a portion of a continuous side wall between three vertical pillars showing my new design.

FIG. 2 is a top view of my new design; and,

FIG. 3 is a perspective view of my new design showing the entire above-ground swimming pool and the repeating pattern of the side wall panels and vertical pillars.

1 Claim, 3 Drawing Sheets



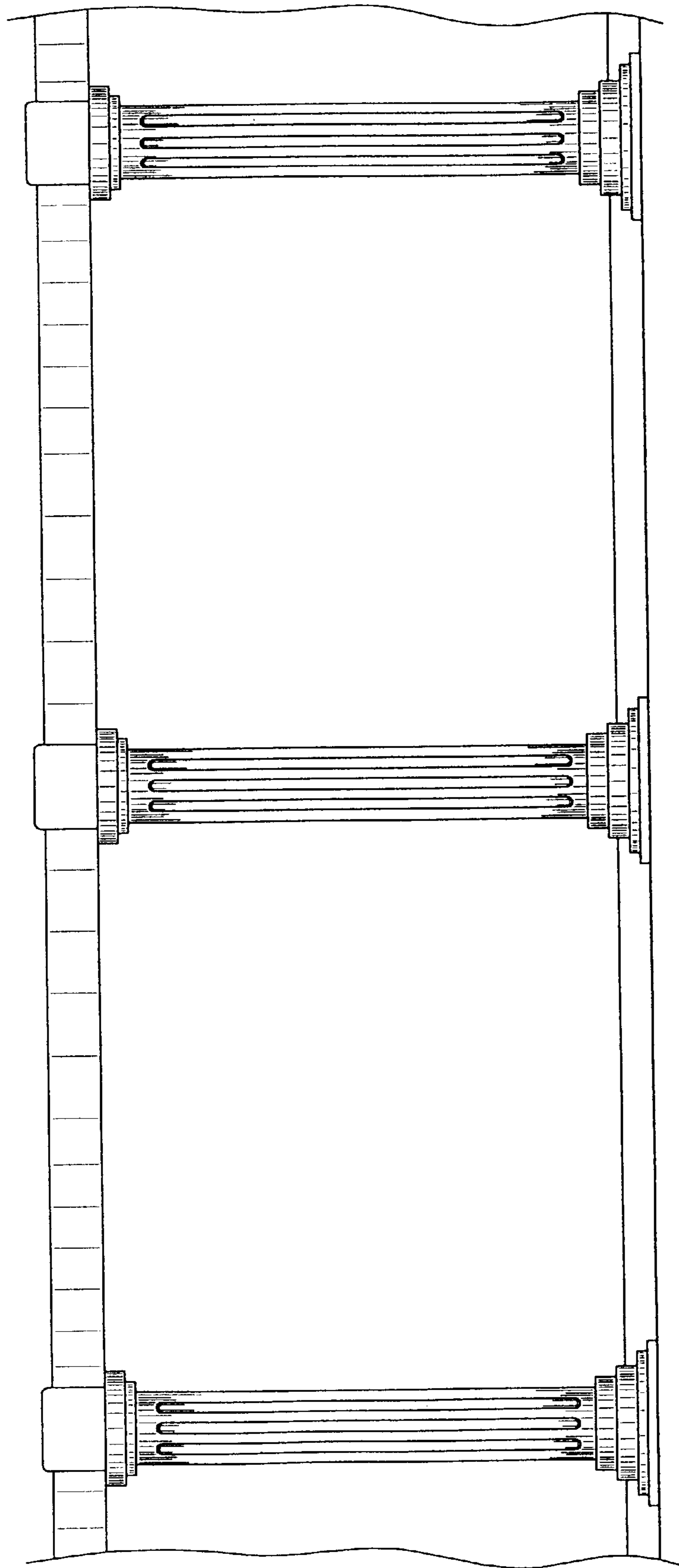


FIG. 1

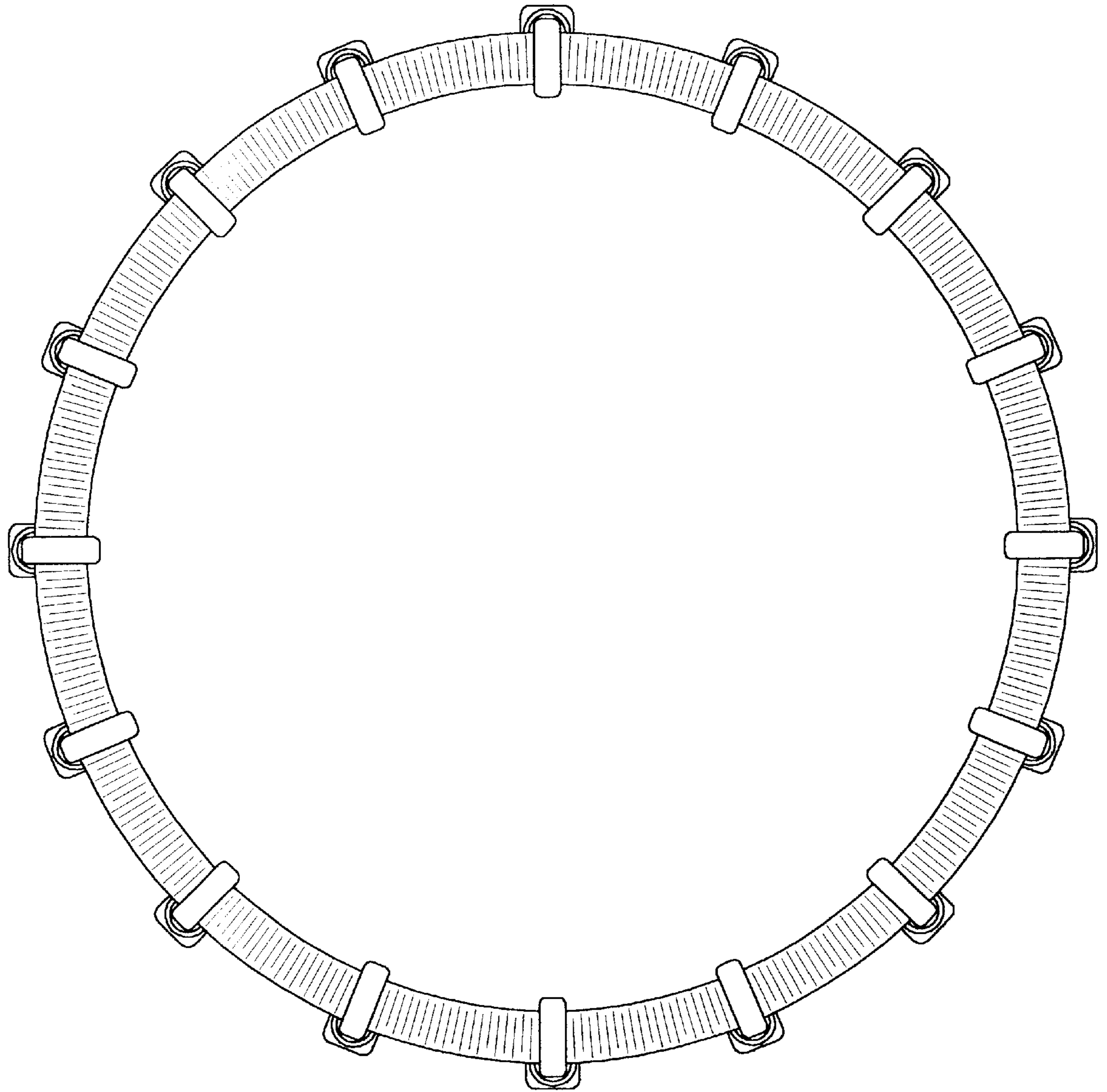


FIG. 2

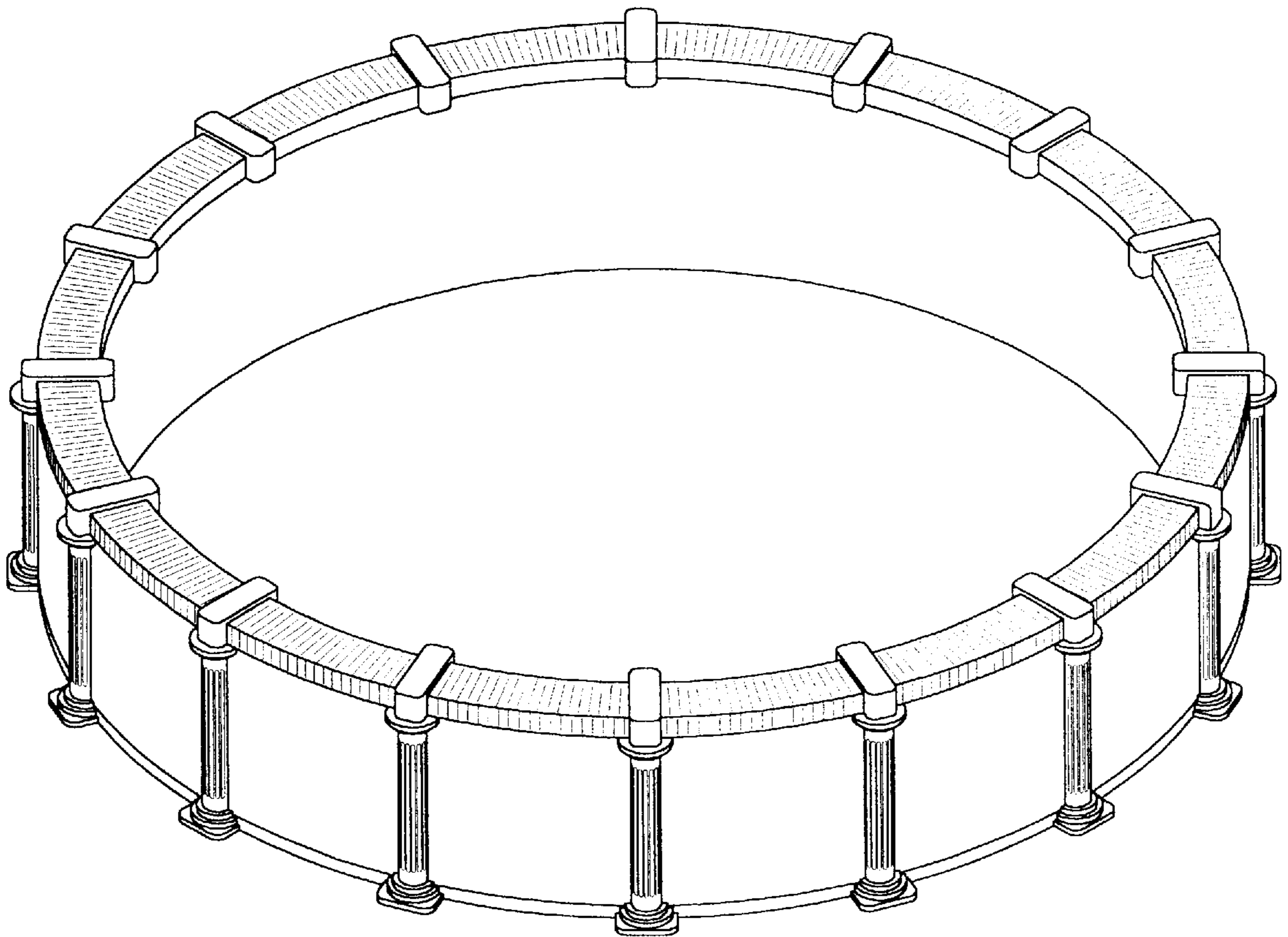


FIG. 3