



US00D454204S

(12) **United States Design Patent**  
**Masciarelli**

(10) **Patent No.:** **US D454,204 S**  
(45) **Date of Patent:** **\*\* Mar. 5, 2002**

(54) **SWIMMING POOL COFFERDAM**

*Primary Examiner*—Doris Clark  
(74) *Attorney, Agent, or Firm*—John P. McGonagle

(76) **Inventor:** **Joseph J. Masciarelli**, 10 Whitfield Way, Canton, MA (US) 02021

(\*\*) **Term:** **14 Years**

(57) **CLAIM**

The ornamental design for a swimming pool cofferdam, as shown and described.

(21) **Appl. No.:** **29/139,515**

(22) **Filed:** **Apr. 2, 2001**

**DESCRIPTION**

(51) **LOC (7) Cl.** ..... **25-03**

FIG. 1 is a perspective view of a swimming pool cofferdam embodying my new design;

(52) **U.S. Cl.** ..... **D25/2**

FIG. 2 is a top view thereof;

(58) **Field of Search** ..... D25/2, 1, 119;  
4/496, 506, 507, 508; 405/11, 13, 12, 275,  
276, 272, 267, 101, 279, 282

FIG. 3 is a bottom view thereof;

FIG. 4 is a left side elevational view thereof;

(56) **References Cited**

**U.S. PATENT DOCUMENTS**

FIG. 5 is a right side elevational view thereof;

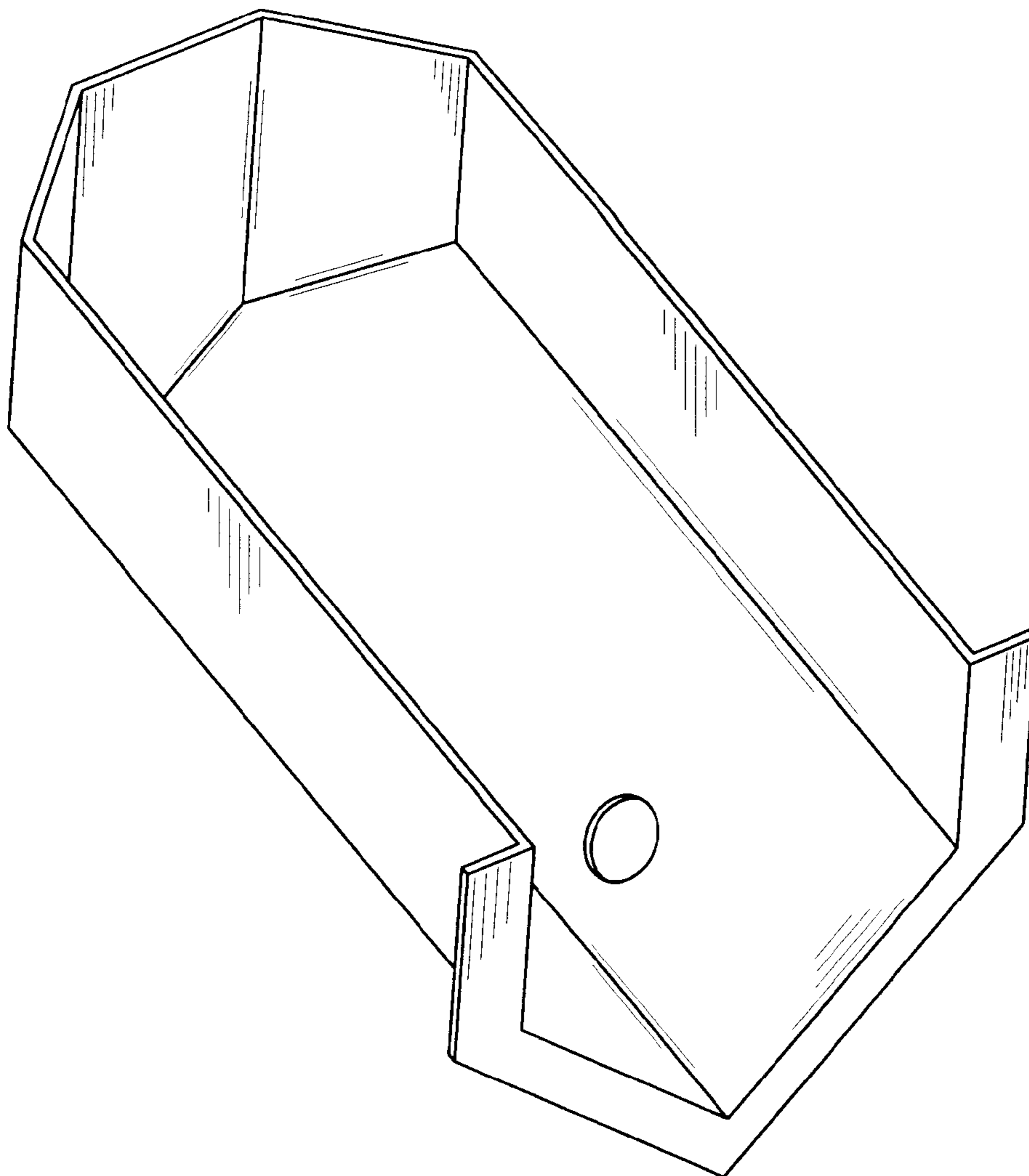
FIG. 6 is a front elevational view thereof; and,

FIG. 7 is a rear elevational view thereof.

- 5,354,149 A \* 10/1994 Breaux ..... 405/267
- D433,152 S 10/2000 Masciarelli
- D433,760 S 11/2000 Masciarelli

\* cited by examiner

**1 Claim, 2 Drawing Sheets**



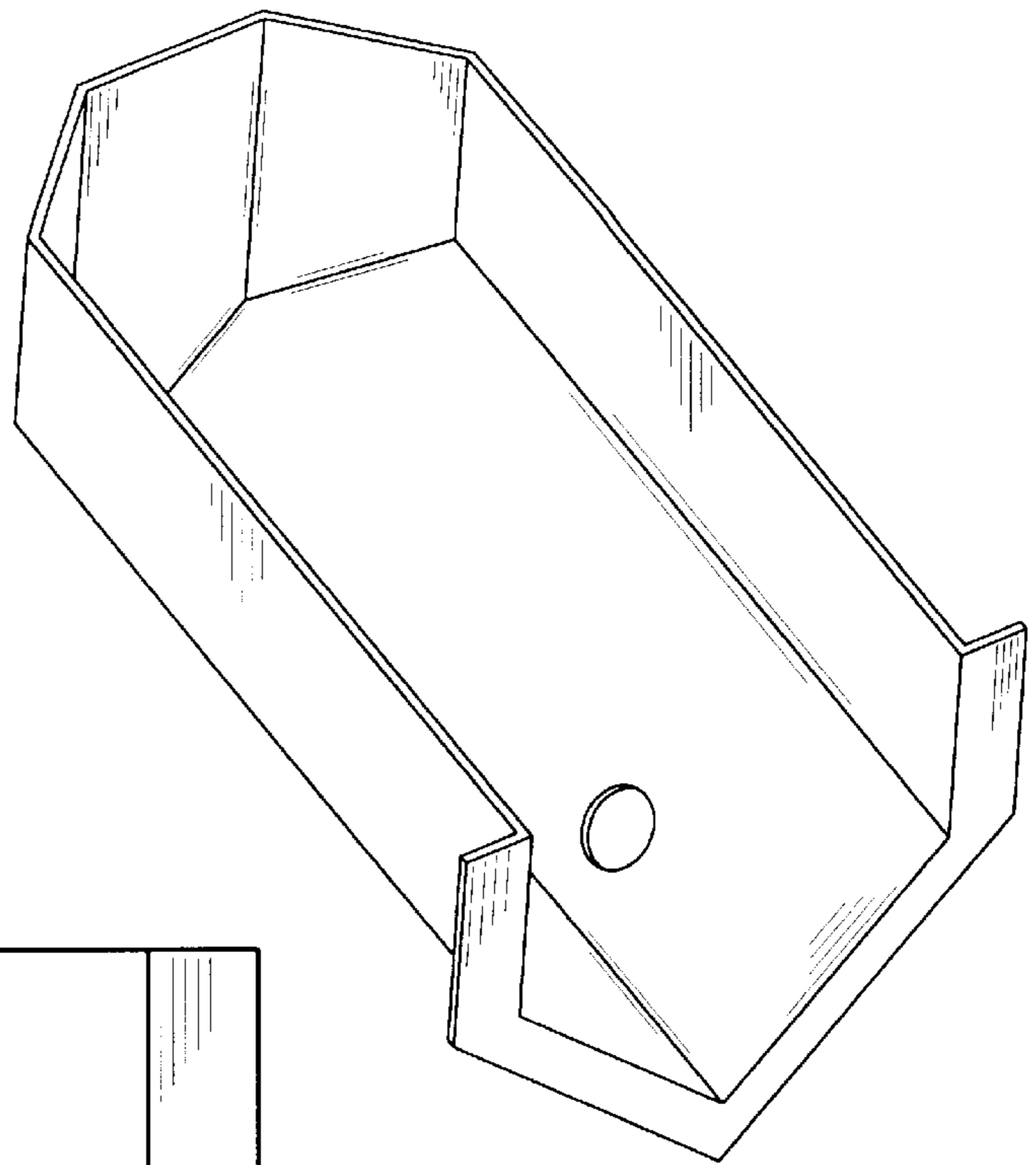


FIG. 1

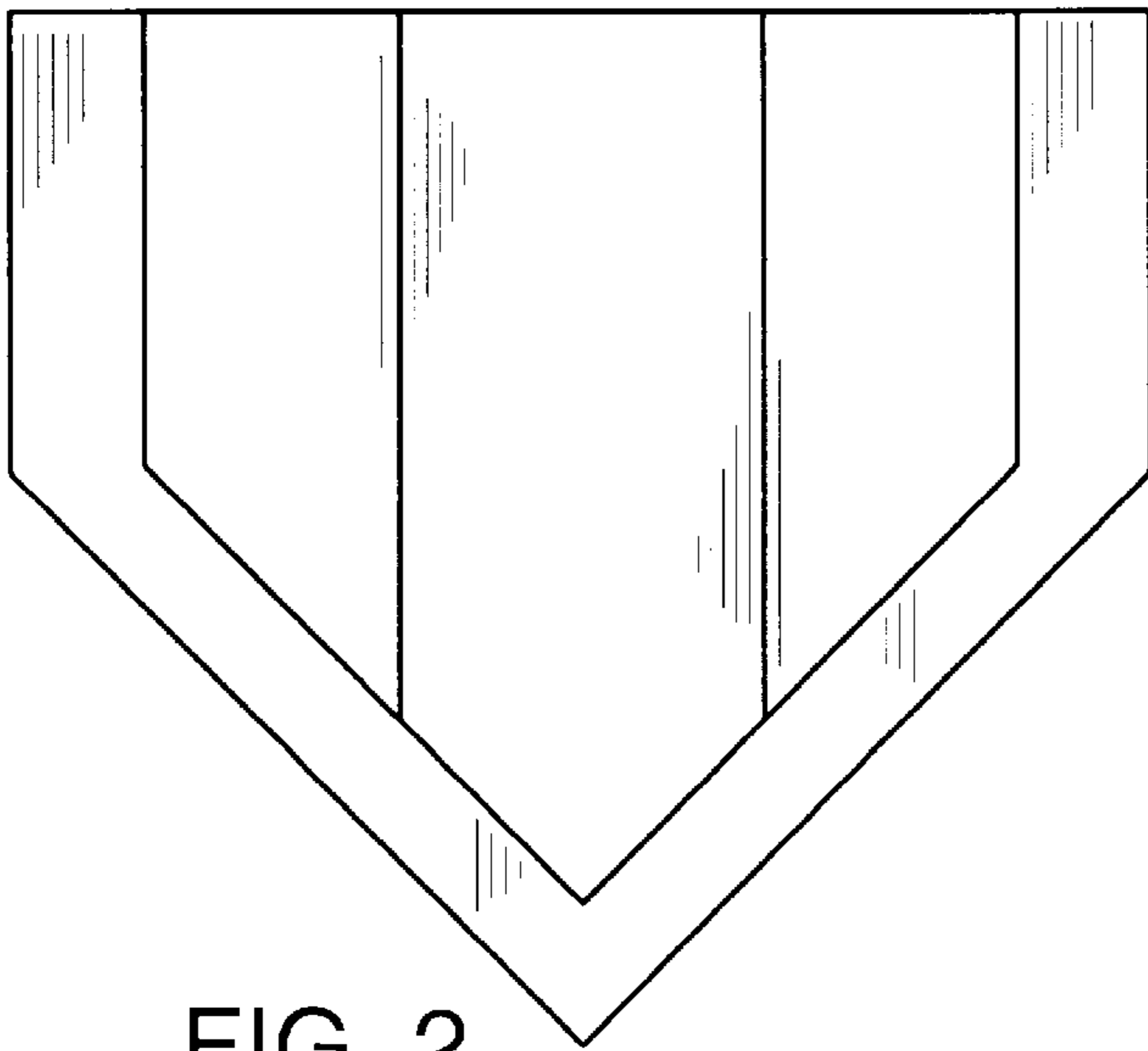


FIG. 2

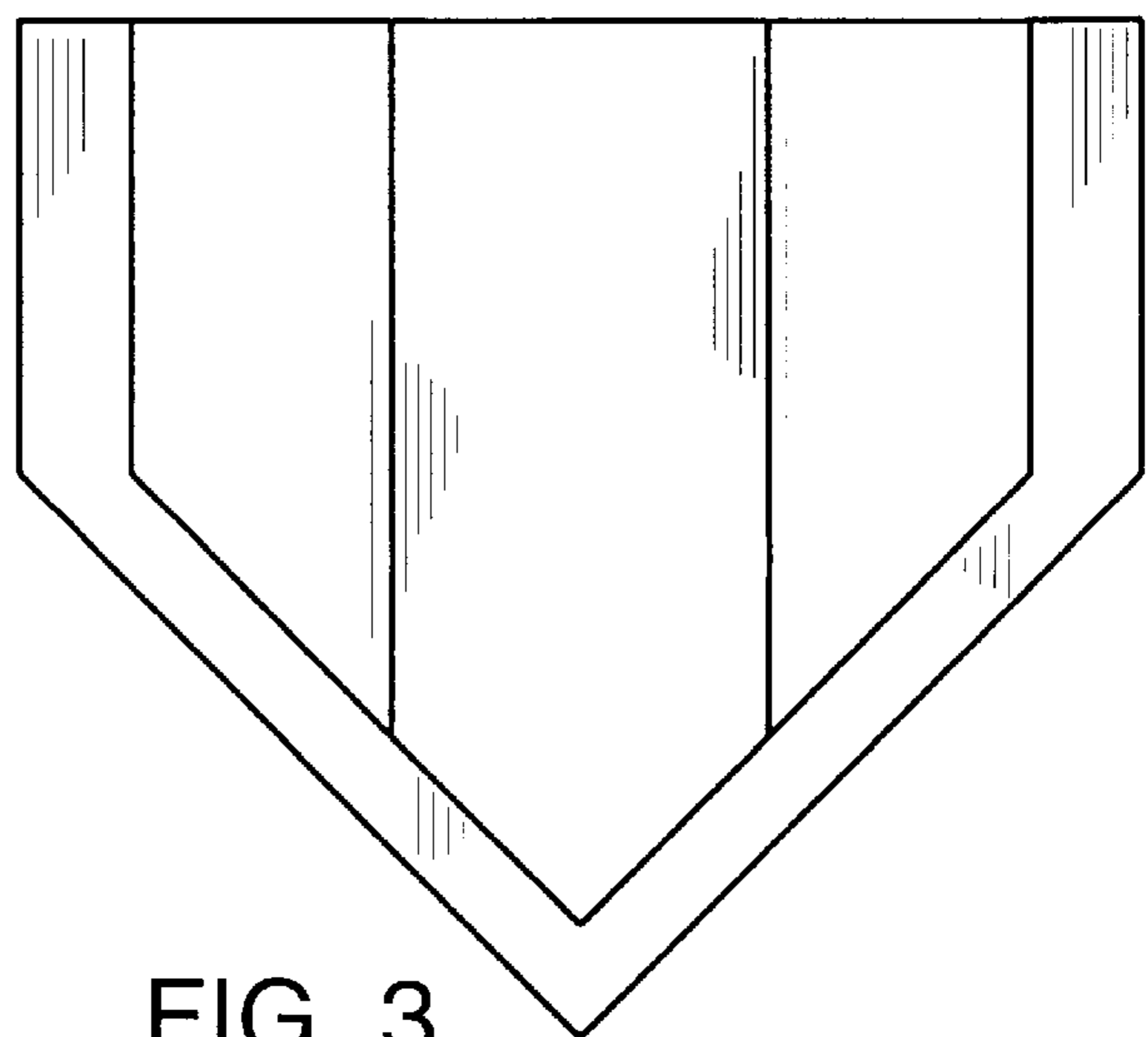


FIG. 3

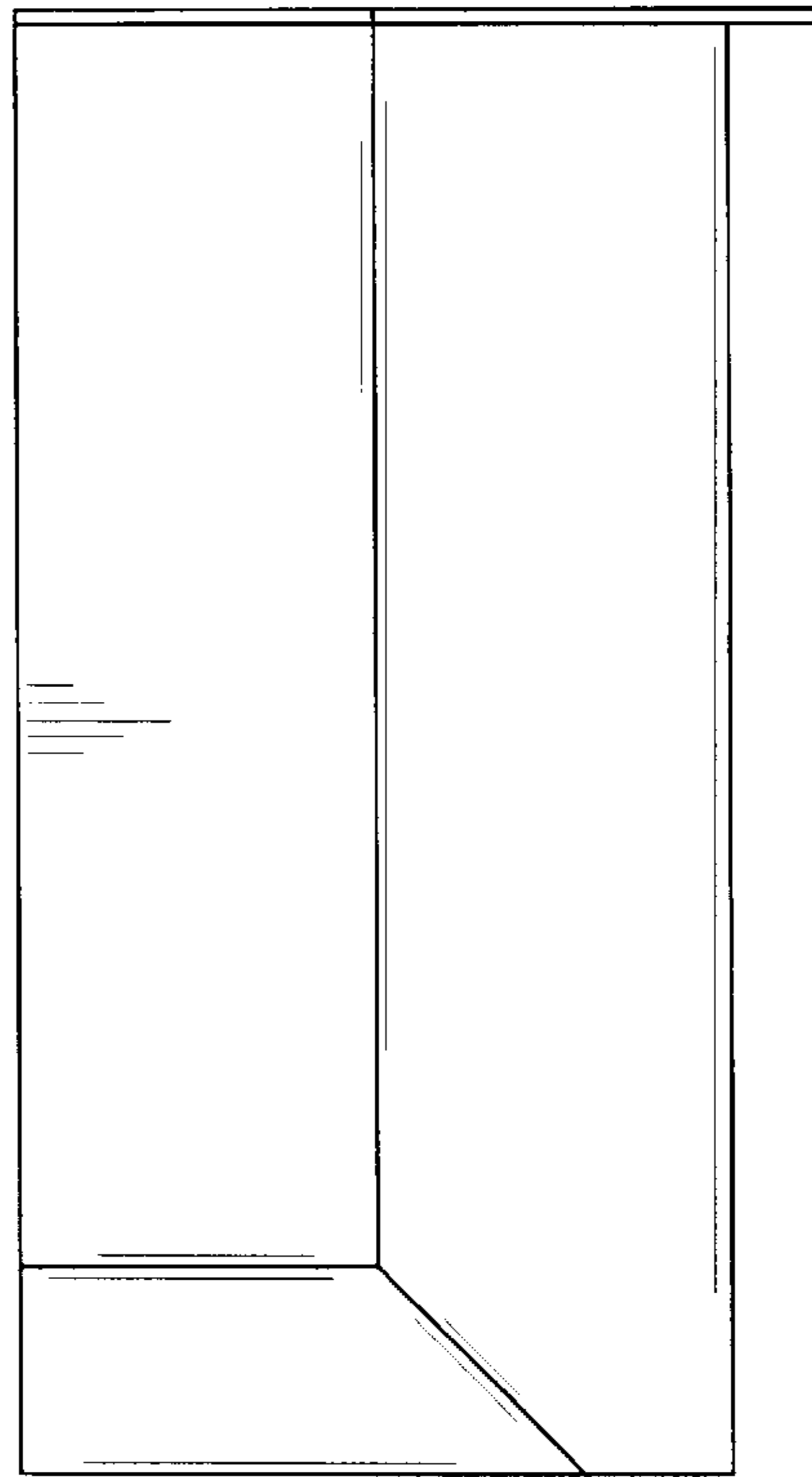


FIG. 4

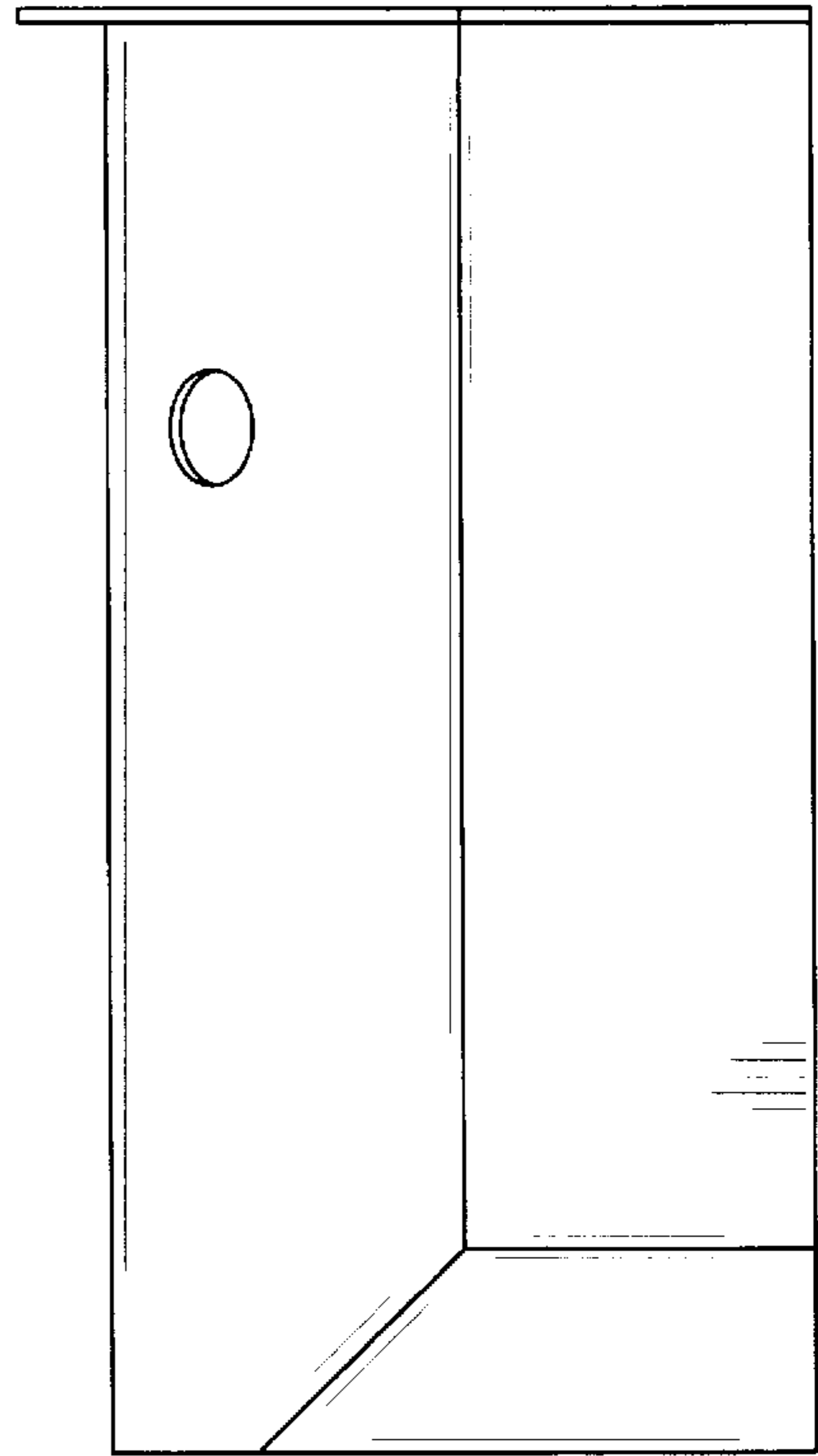


FIG. 5

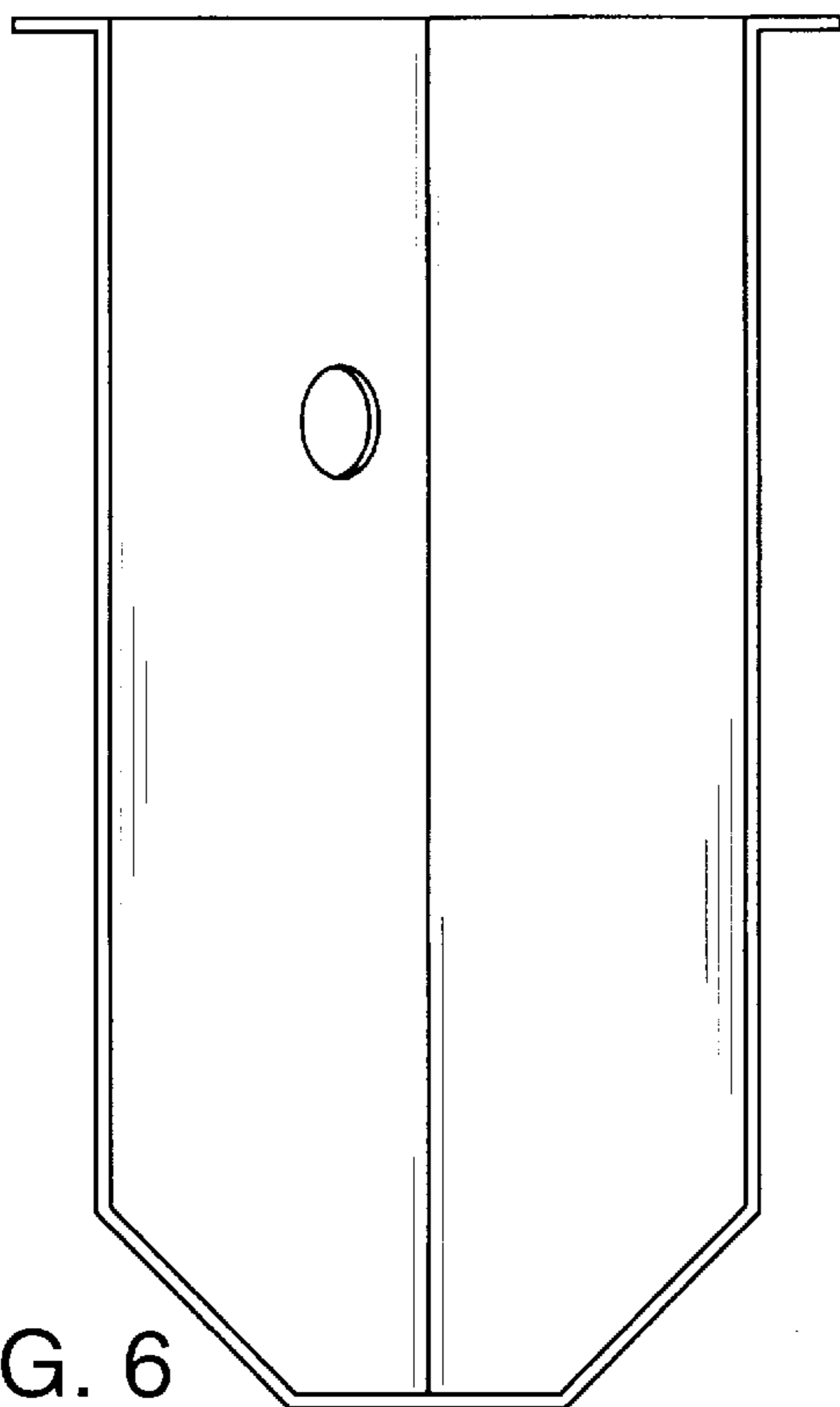


FIG. 6

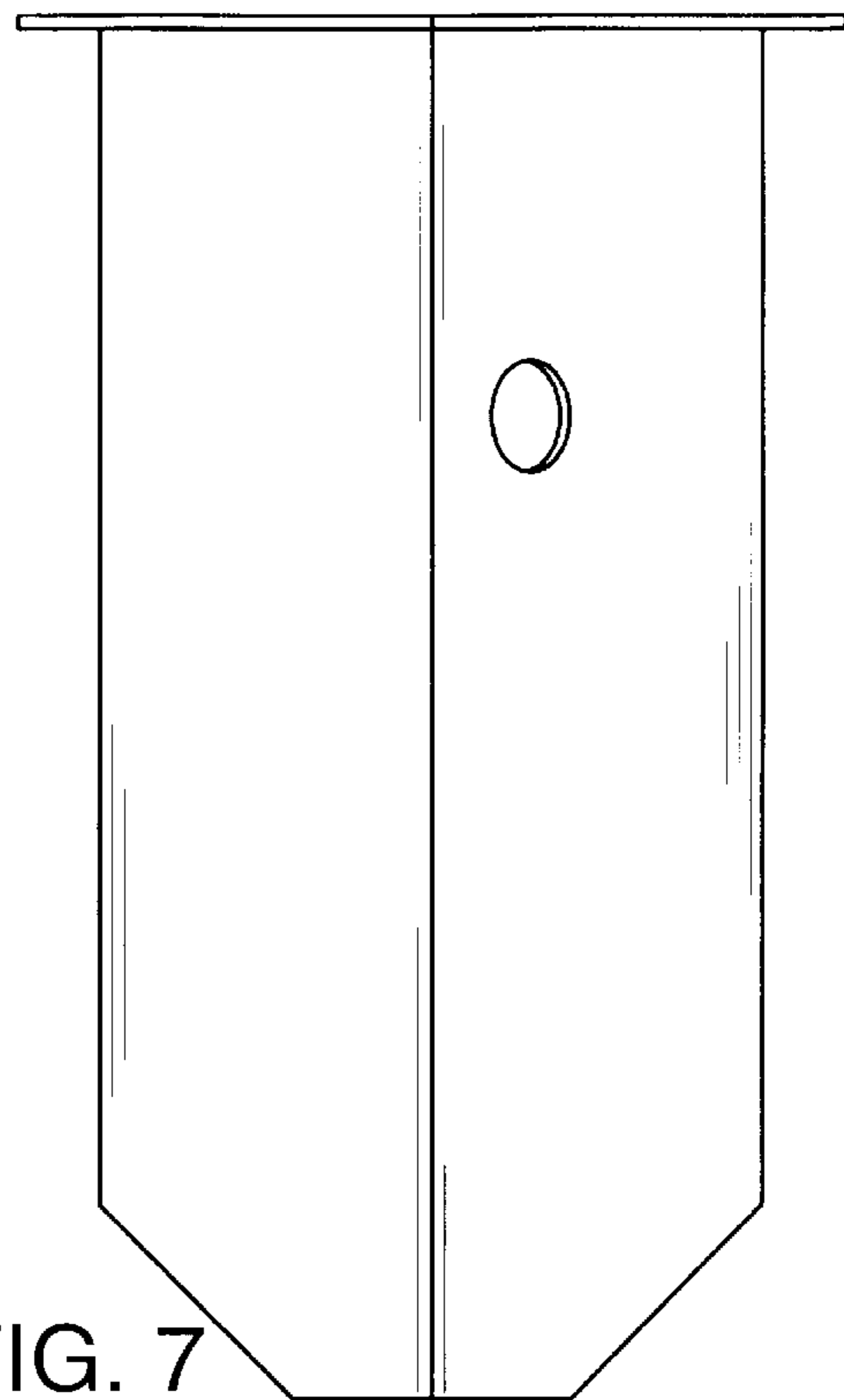


FIG. 7