



US00D454197S

(12) **United States Design Patent**  
**Michelson**

(10) **Patent No.:** **US D454,197 S**

(45) **Date of Patent:** **\*\* Mar. 5, 2002**

(54) **TRAILING END OF A SPINAL IMPLANT**

D397,439 S 8/1998 Koros et al.

5,860,973 A 1/1999 Michelson

(76) Inventor: **Gary K. Michelson**, 438 Sherman  
Canal, Venice, CA (US) 90291

6,019,792 A 2/2000 Cauthen

D425,989 S 5/2000 Michelson

(\*\*) Term: **14 Years**

*Primary Examiner*—Antoine Duval Davis

(74) *Attorney, Agent, or Firm*—Martin & Ferraro, LLP

(21) Appl. No.: **29/141,974**

(57) **CLAIM**

(22) Filed: **May 16, 2001**

The ornamental design for trailing end of a spinal implant,  
substantially as shown and described.

**Related U.S. Application Data**

**DESCRIPTION**

(62) Division of application No. 29/130,269, filed on Sep. 28,  
2000, now Pat. No. Des. 442,691, which is a division of  
application No. 29/115,228, filed on Dec. 9, 1999, now Pat.  
No. Des. 437,055.

FIG. 1 is a perspective view of the trailing end of a spinal  
implant in accordance with a first embodiment of my  
claimed design with the remainder of the implant shown in  
hidden line and forming no part of the claimed design;

(51) **LOC (7) Cl.** ..... **24-03**

FIG. 2 is an end view of FIG. 1;

(52) **U.S. Cl.** ..... **D24/155**

FIG. 3 is a side elevational view of FIG. 1 with the  
remainder of the implant shown in hidden line and forming  
no part of the claimed design;

(58) **Field of Search** ..... D24/155; 606/60,  
606/61, 72, 73; 134/3, 32, 41; 128/92 R,  
926; 623/10, 11, 12, 16, 17, 66

FIG. 4 is a perspective view of the trailing end of a spinal  
implant in accordance with a second embodiment of my  
claimed design with the remainder of the implant shown in  
hidden line and forming no part of the claimed design;

(56) **References Cited**

**U.S. PATENT DOCUMENTS**

4,501,269 A 2/1985 Bagby  
4,704,126 A 11/1987 Baswell et al.  
5,015,247 A 5/1991 Michelson  
D377,095 S 12/1996 Michelson  
D377,096 S 12/1996 Michelson  
5,776,196 A 7/1998 Matsuzaki et al.

FIG. 5 is an end view of FIG. 4; and,

FIG. 6 is a side elevational view of FIG. 4 with the  
remainder of the implant shown in hidden line and forming  
no part of the claimed design.

**1 Claim, 2 Drawing Sheets**

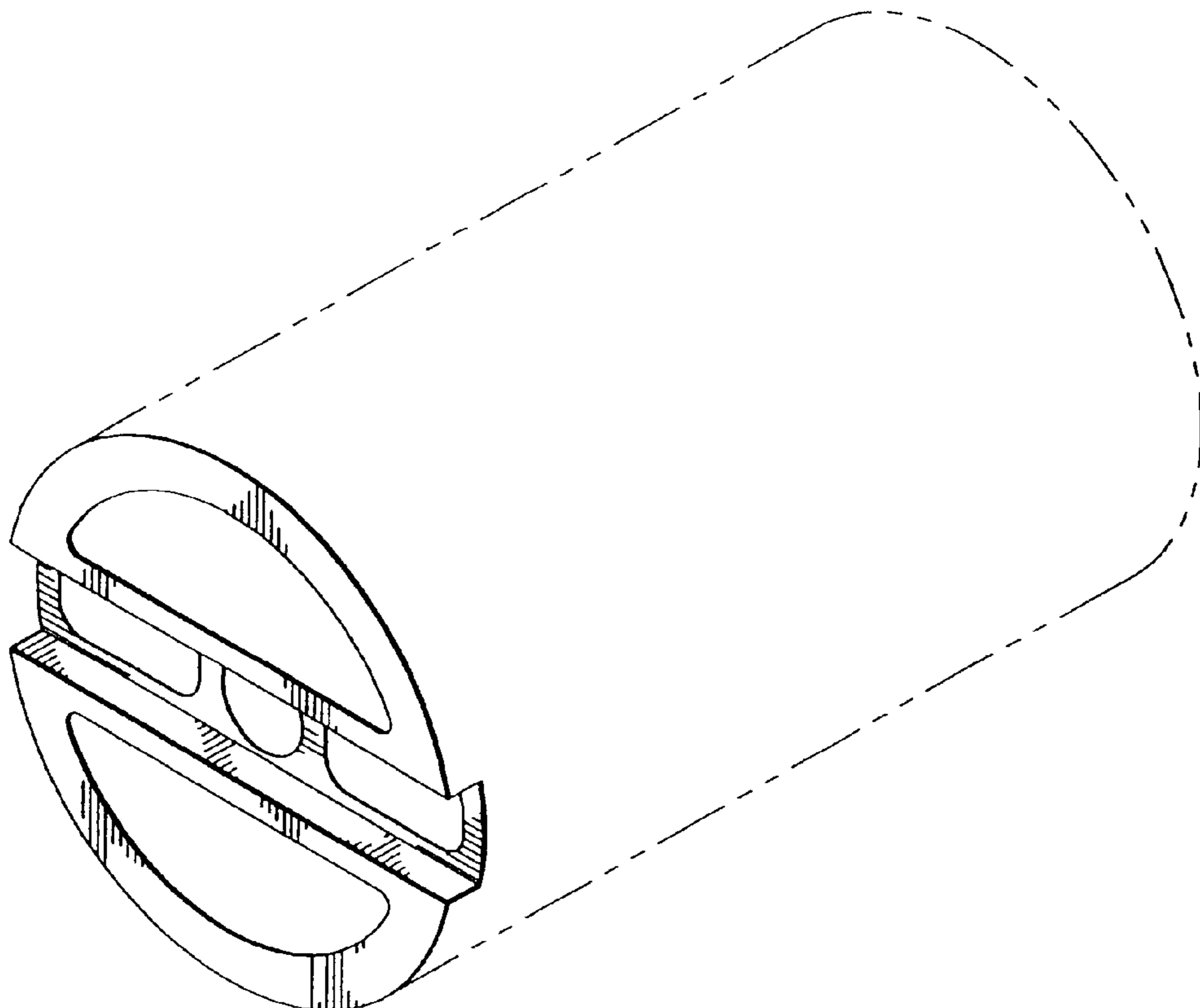


FIG. 1

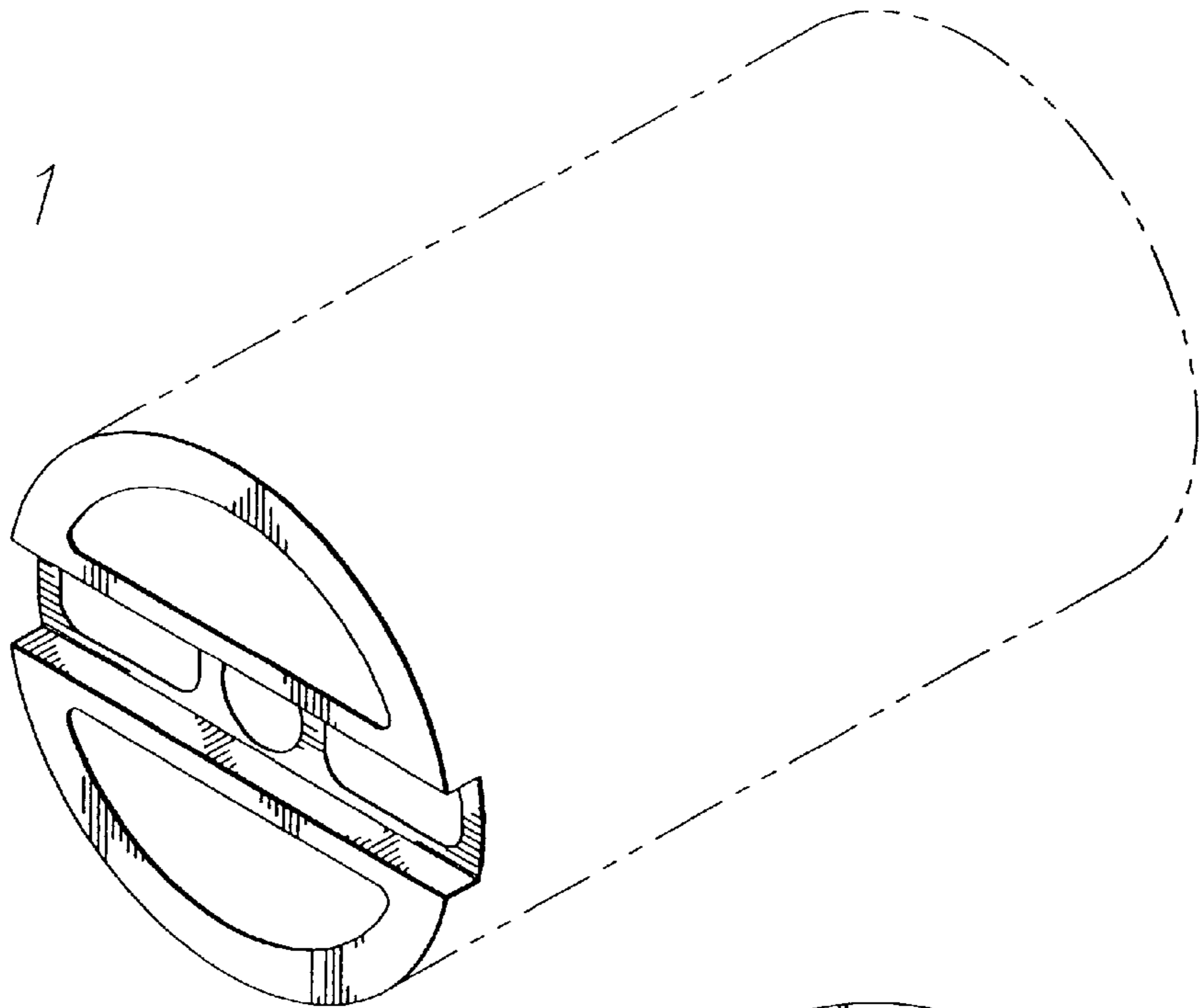


FIG. 2

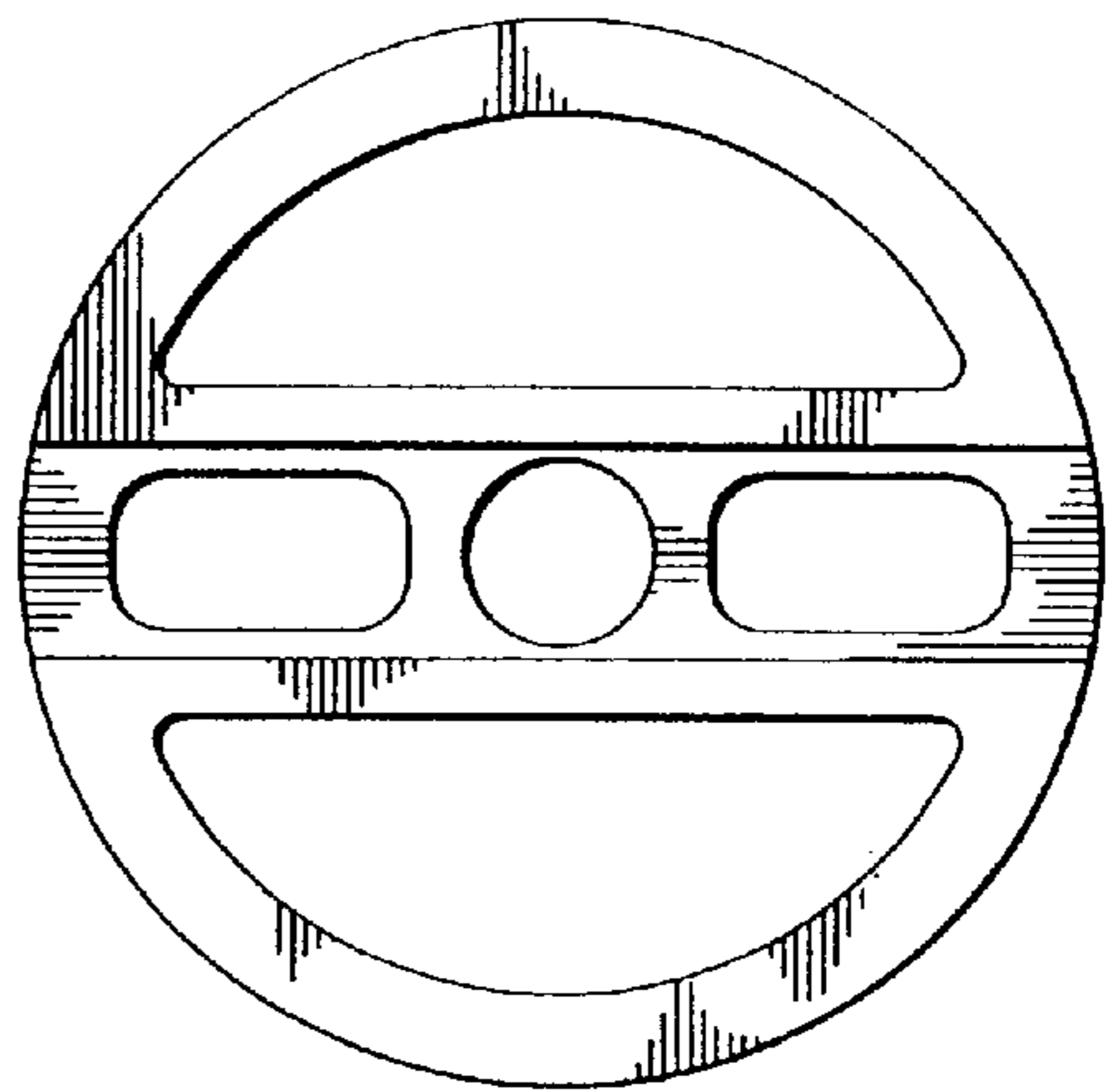


FIG. 3

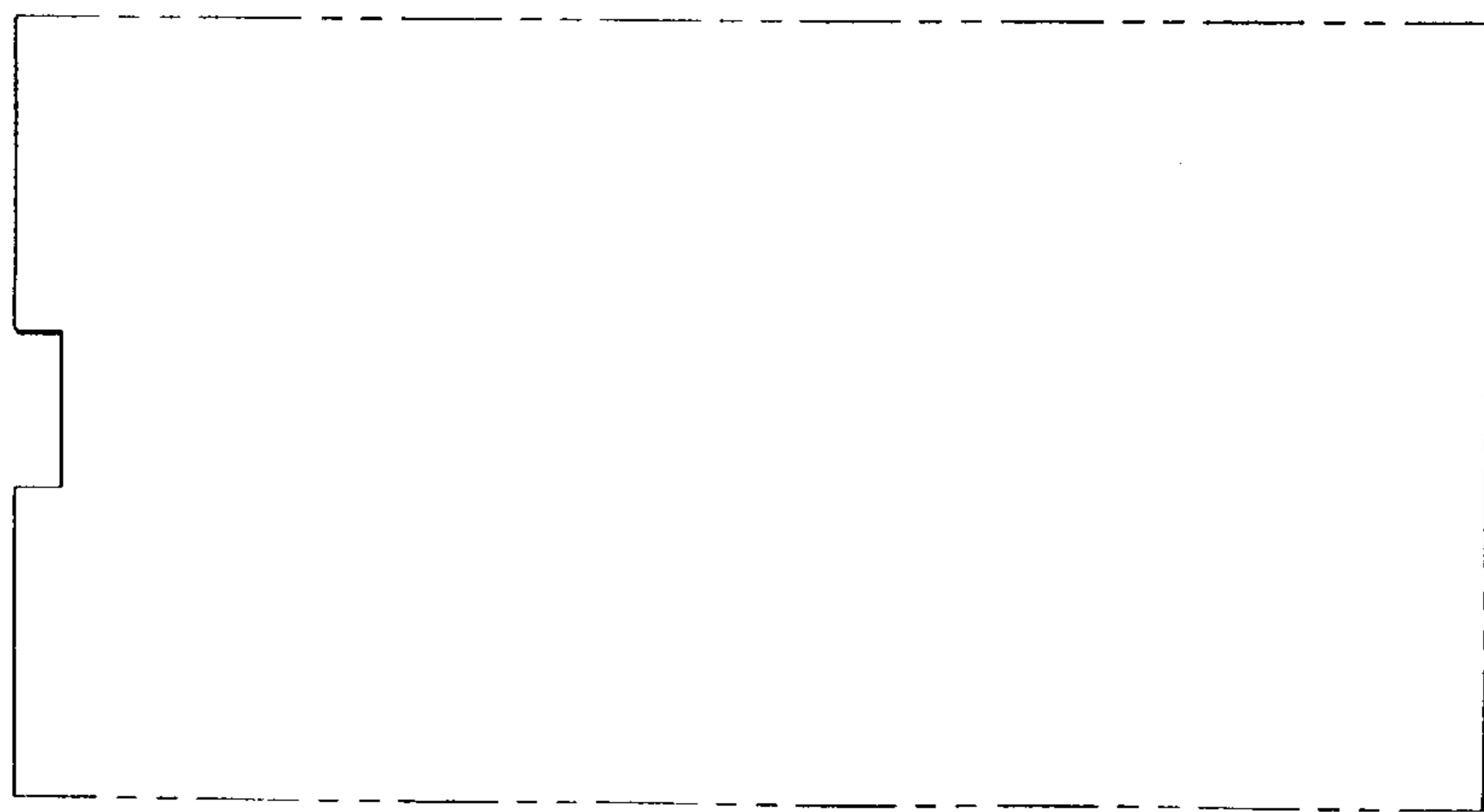


FIG. 4

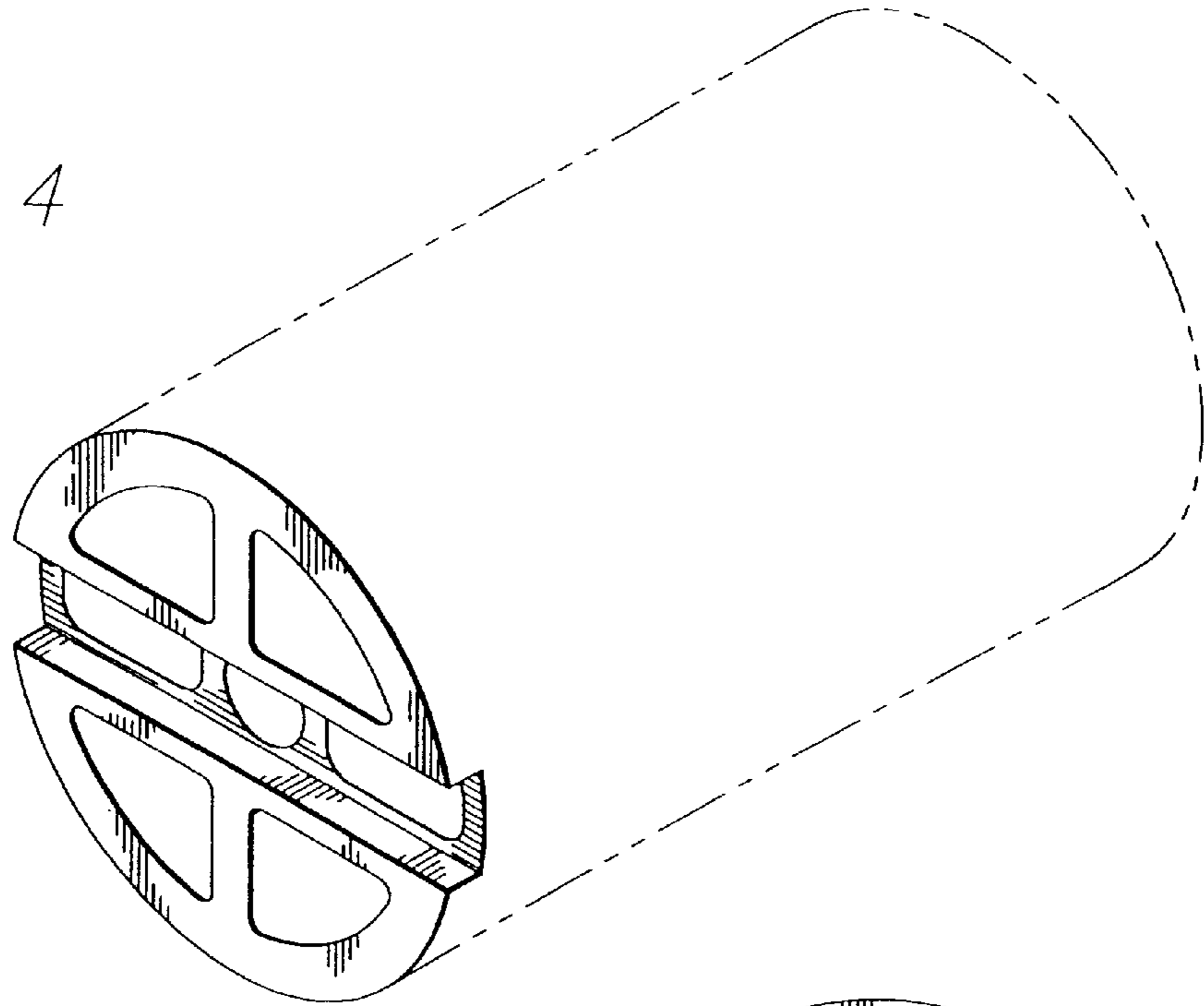


FIG. 5

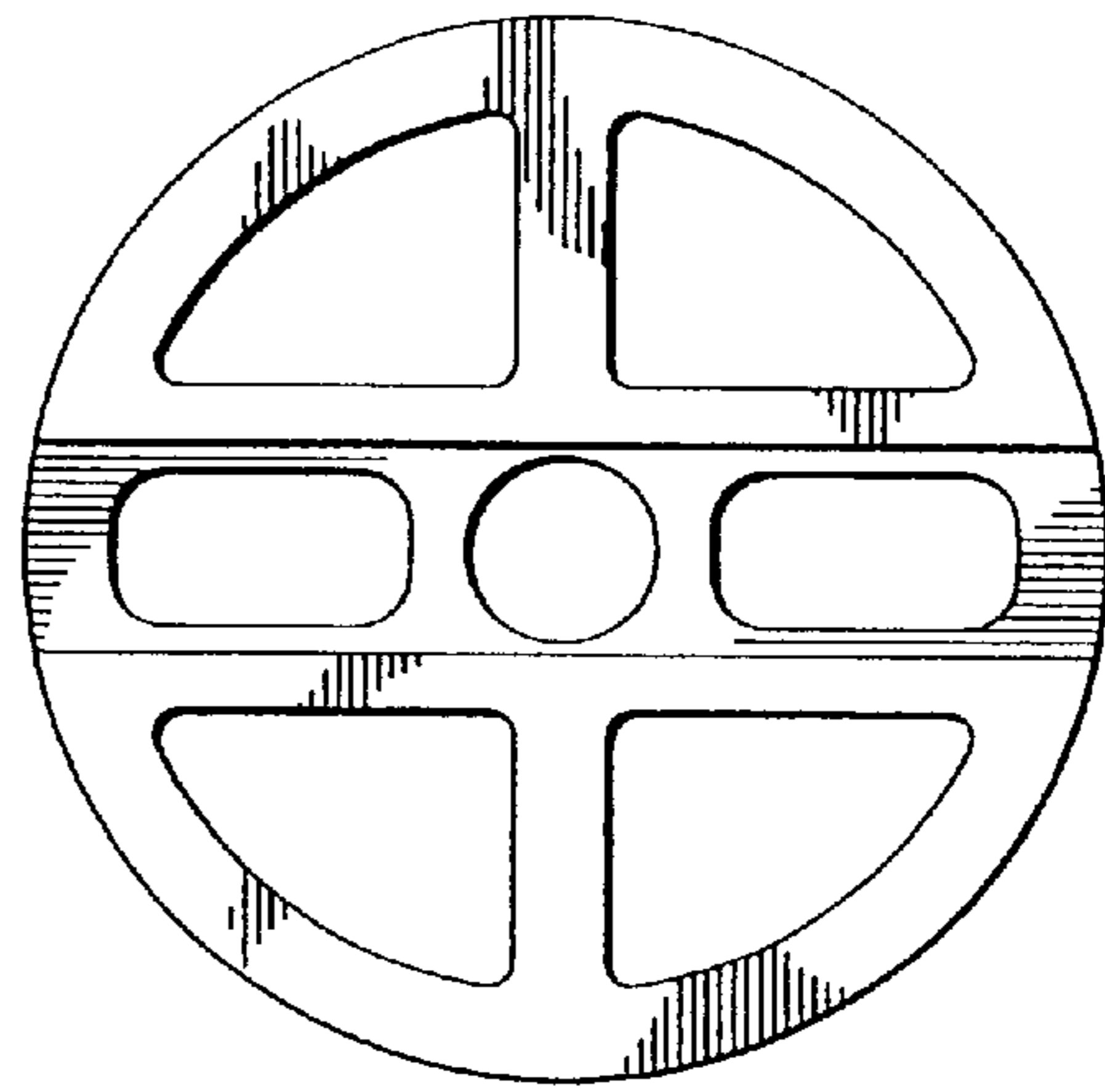


FIG. 6

