



US00D454194S

(12) **United States Design Patent**
Bar-Or

(10) **Patent No.:** **US D454,194 S**

(45) **Date of Patent:** **** Mar. 5, 2002**

(54) **DRUG RECONSTITUTION AND INJECTION DEVICE**

D437,930 S * 2/2001 Gross et al. D24/108
6,258,063 B1 * 7/2001 Haar et al. 604/141

(75) Inventor: **Jonathan Bar-Or**, Pardess Hana (IL)

* cited by examiner

(73) Assignee: **Elan Pharma International Limited**,
Shannon (IE)

Primary Examiner—Ian Simmons

(74) *Attorney, Agent, or Firm*—Kathleen Maher Lynch

(**) Term: **14 Years**

(57) **CLAIM**

The ornamental design for a drug reconstitution and injection device, as shown and described.

(21) Appl. No.: **29/135,976**

(22) Filed: **Jan. 23, 2001**

DESCRIPTION

(51) **LOC (7) Cl.** **24-01**

(52) **U.S. Cl.** **D24/108**

(58) **Field of Search** D24/108, 133;
604/410, 132, 133, 134, 131, 411, 416,
142, 905, 141

FIG. 1 is a perspective view of a drug reconstitution and injection device showing my new design;

FIG. 2 is a front view thereof;

FIG. 3 is a left side view thereof;

FIG. 4 is a right side view thereof;

FIG. 5 is a rear view thereof;

FIG. 6 is a top view thereof; and,

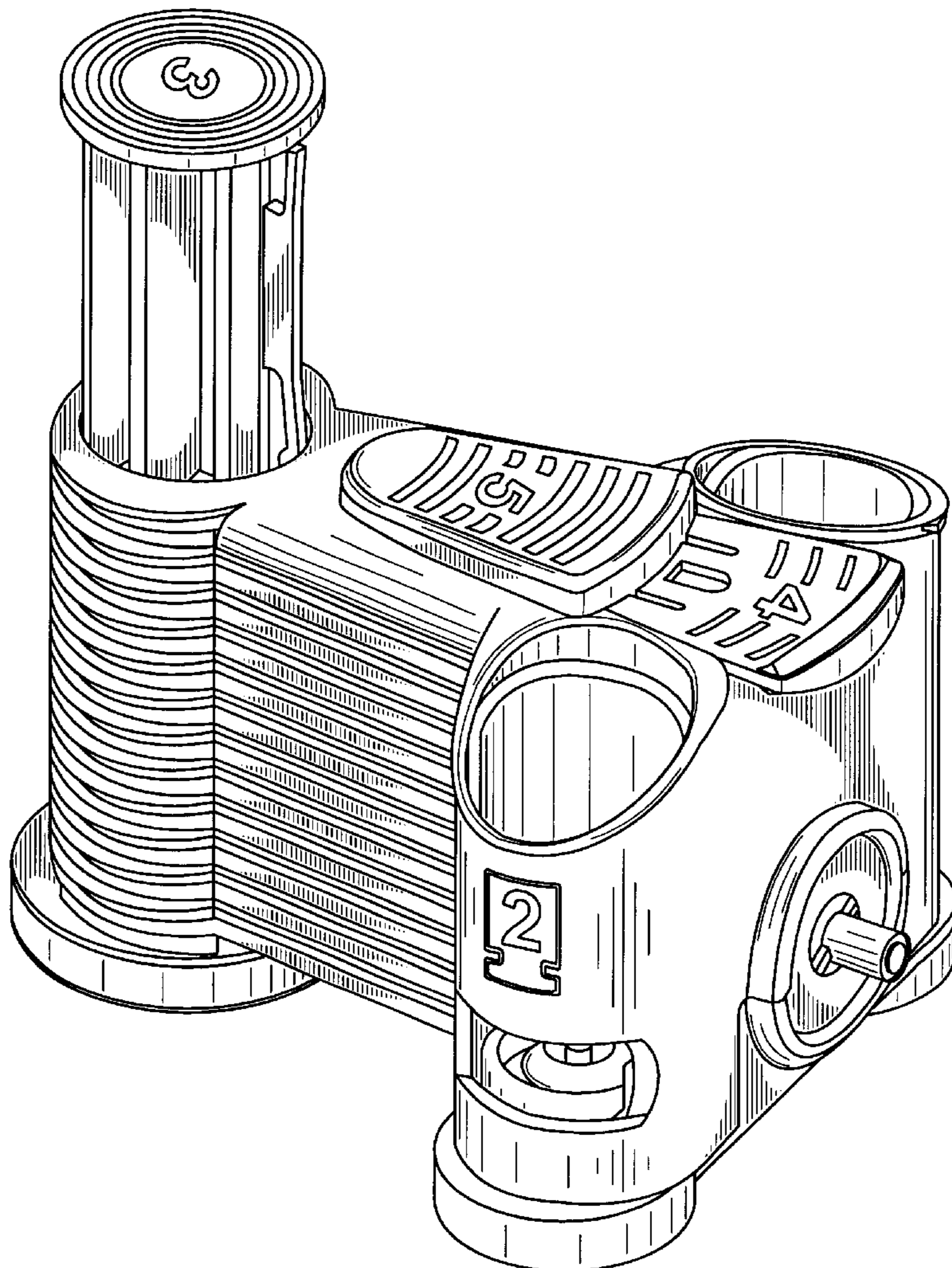
FIG. 7 is a bottom view thereof.

(56) **References Cited**

U.S. PATENT DOCUMENTS

5,566,729 A * 10/1996 Grabenkort et al. 141/25

1 Claim, 7 Drawing Sheets



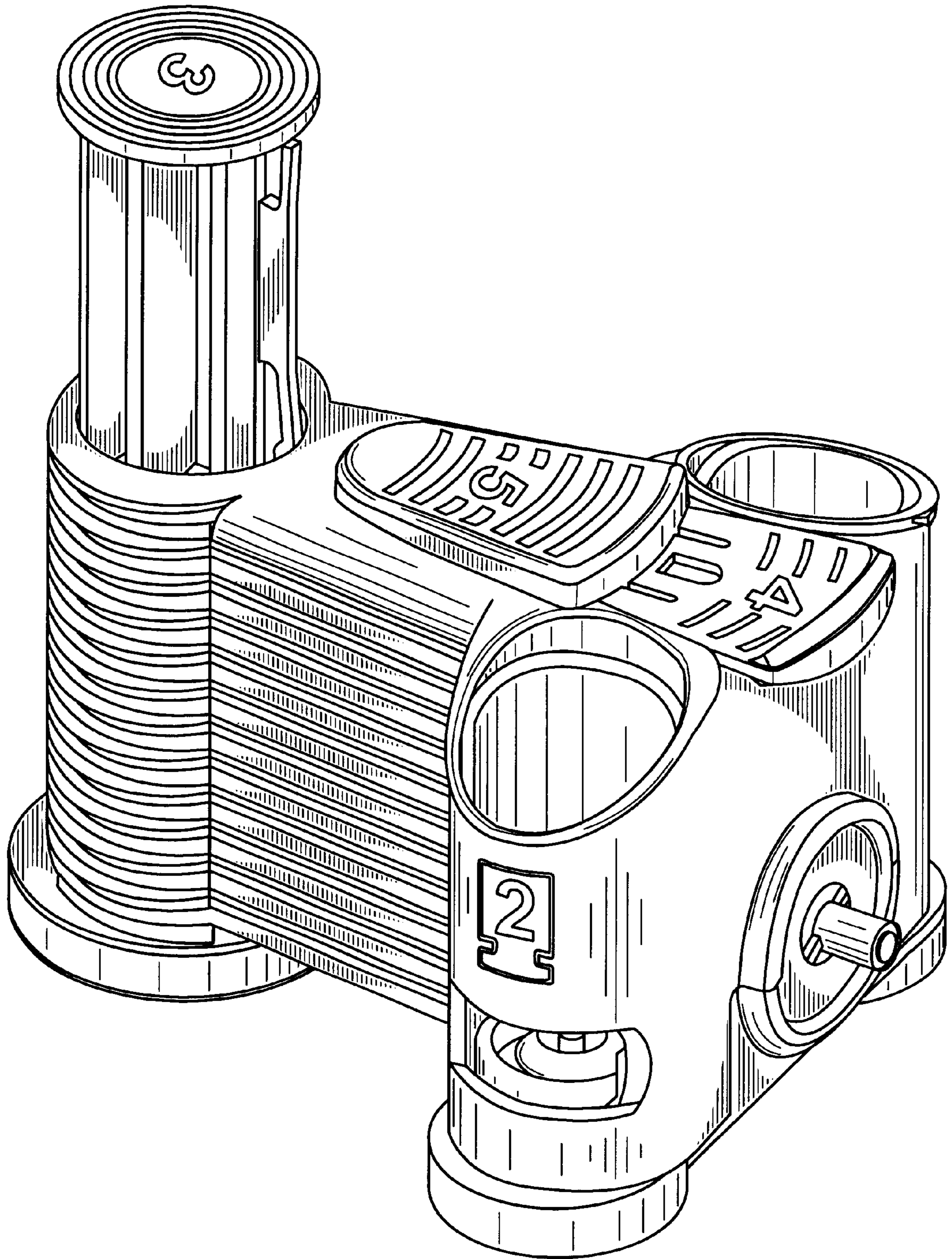


Fig. 1

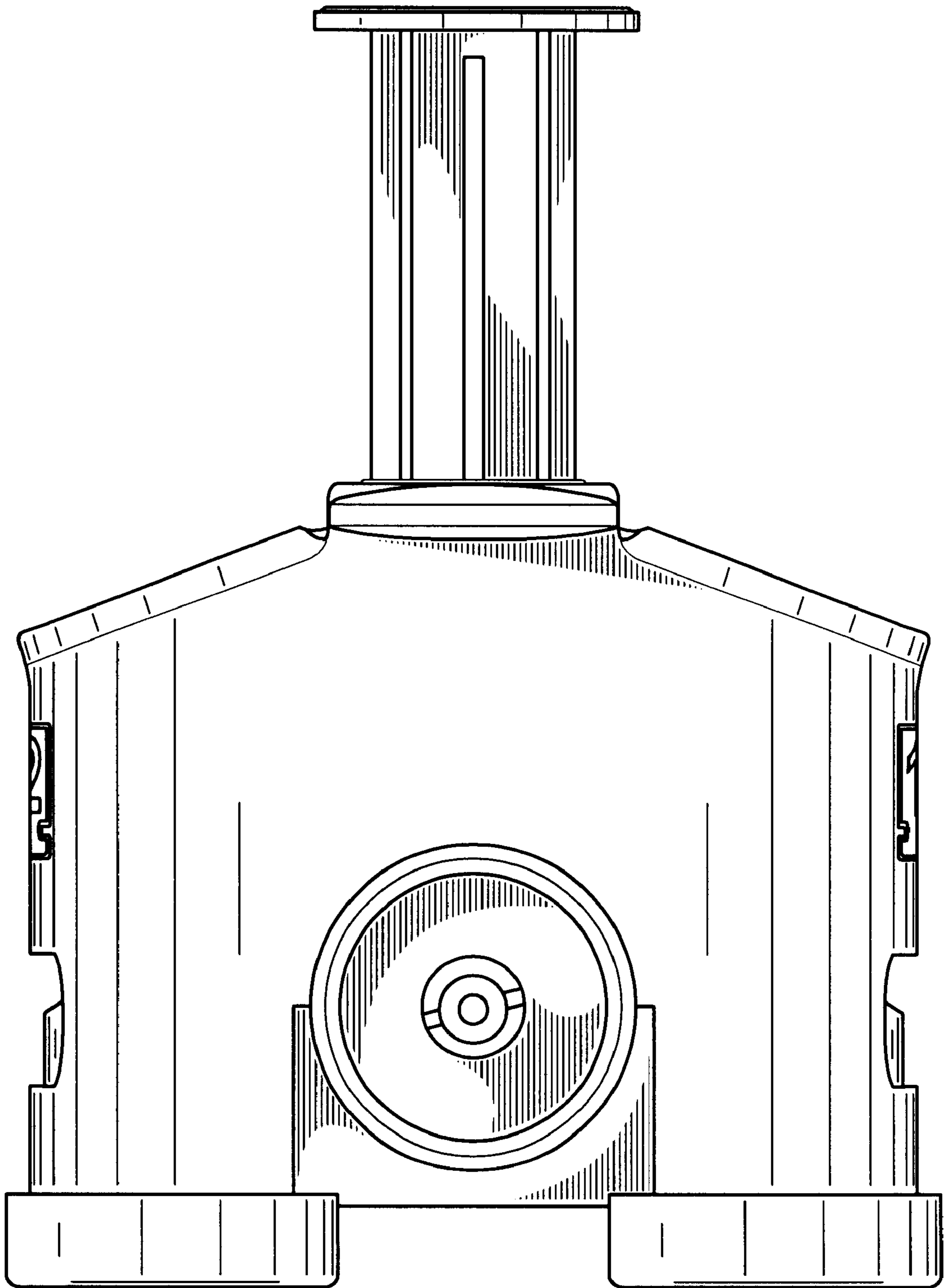


Fig. 2

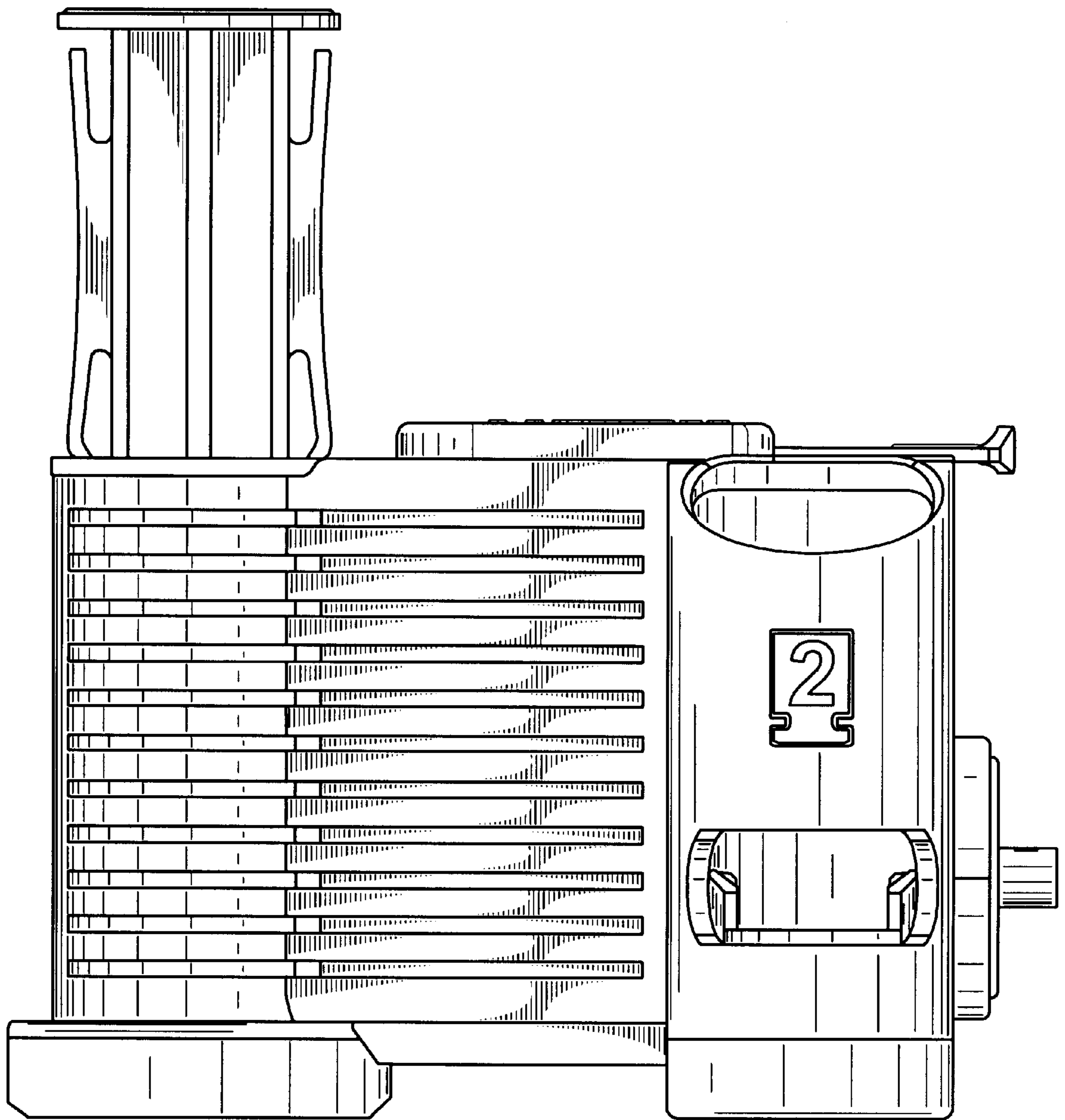


Fig. 3

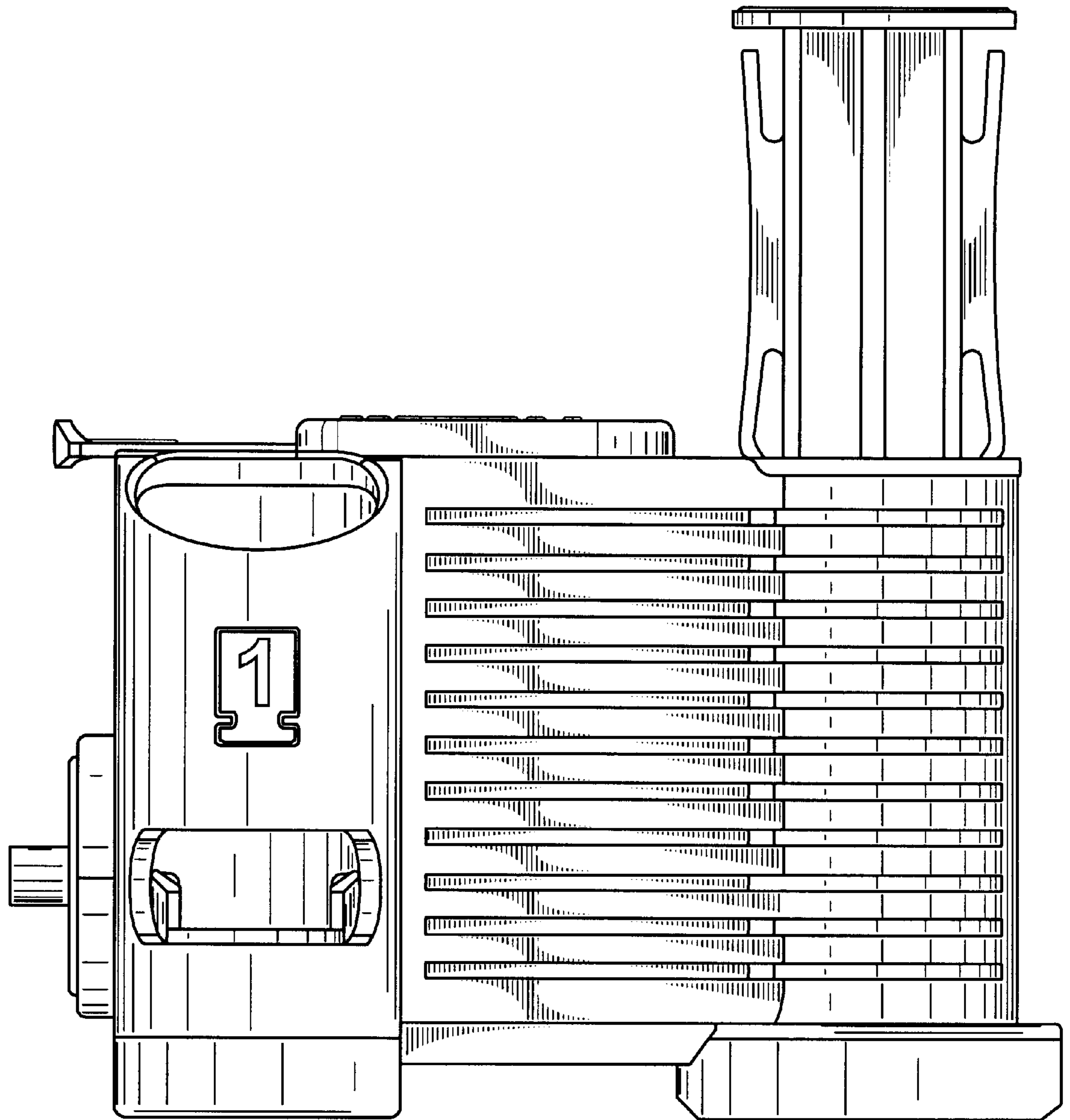


Fig. 4

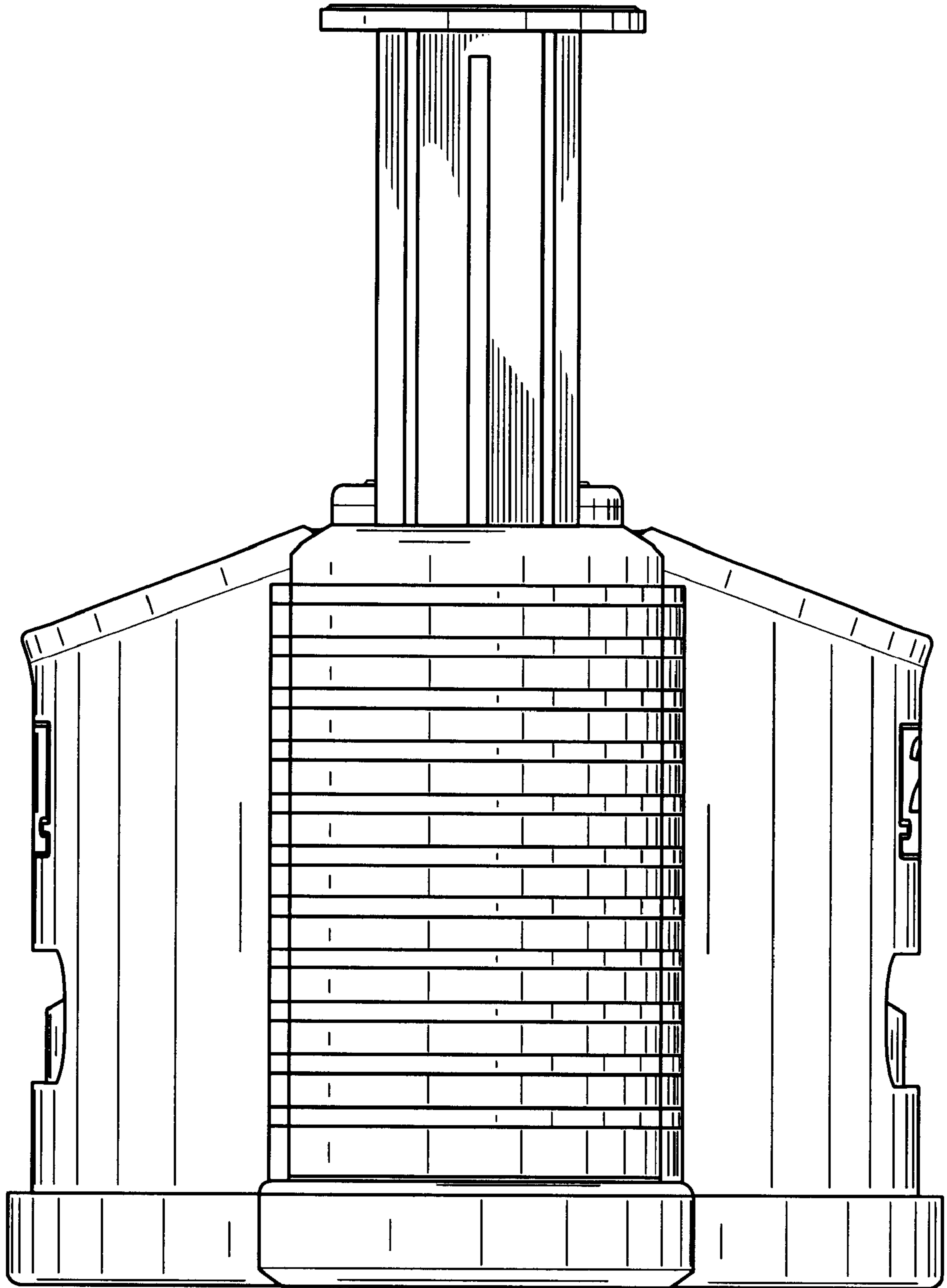


Fig. 5

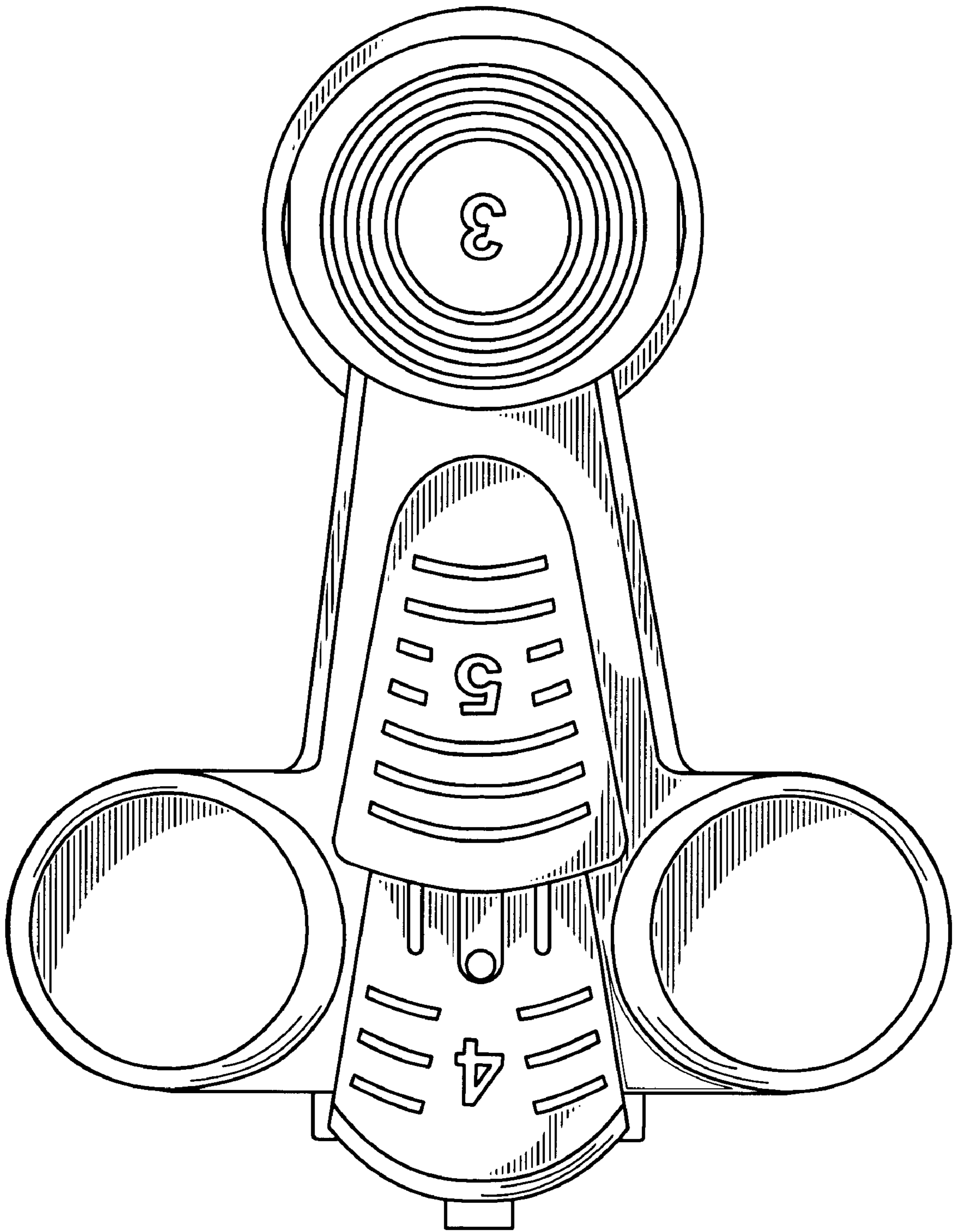


Fig. 6

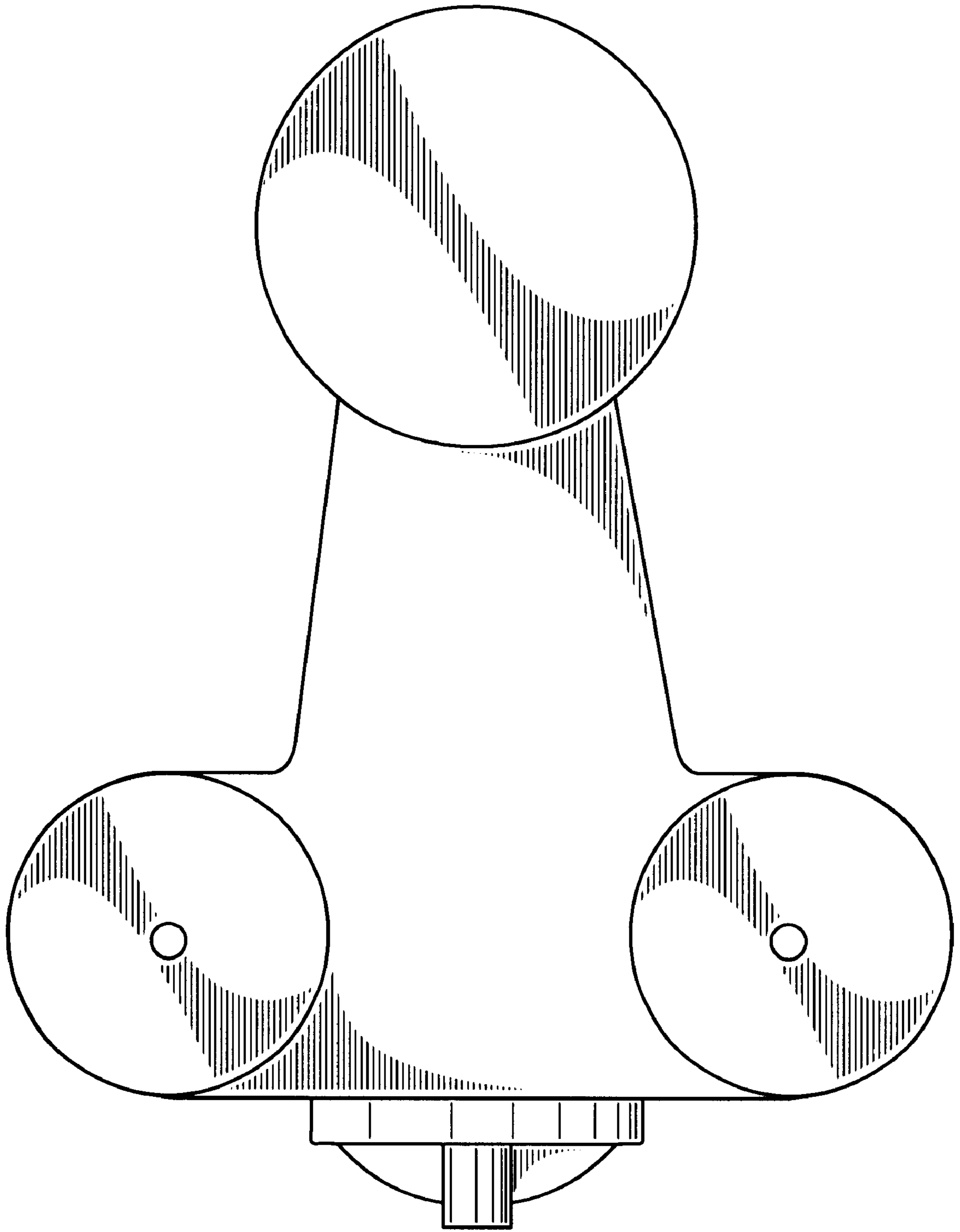


Fig. 7