



US00D454188S

(12) **United States Design Patent**
Nonaka

(10) **Patent No.:** **US D454,188 S**

(45) **Date of Patent:** **** Mar. 5, 2002**

(54) **AIR CONDITIONER**

(75) Inventor: **Katsuya Nonaka, Kawasaki (JP)**

(73) Assignee: **Fujitsu General Limited,**
Kanagawa-Ken (JP)

(**) Term: **14 Years**

(21) Appl. No.: **29/137,440**

(22) Filed: **Feb. 22, 2001**

(30) **Foreign Application Priority Data**

Aug. 22, 2000 (JP) 2000-023137

(51) **LOC (7) Cl.** **23-04**

(52) **U.S. Cl.** **D23/351**

(58) **Field of Search** D23/351-354,
D23/333; 62/259.1, 259.4, 262, 263, 304,
324.1, DIG. 16; 454/201-204

(56) **References Cited**

U.S. PATENT DOCUMENTS

- D327,736 S * 7/1992 Shimano et al. D23/351
- D351,648 S * 10/1994 Ikeda et al. D23/351
- D361,833 S * 8/1995 Shigenari D23/351
- D368,305 S * 3/1996 Shigenari et al. D23/351

- D402,020 S * 12/1998 Aihara et al. D23/351
- D417,910 S * 12/1999 Nonaka D23/351
- D426,626 S * 6/2000 Nonaka D23/351

FOREIGN PATENT DOCUMENTS

JP 1044308 7/1999

* cited by examiner

Primary Examiner—B. J. Bullock

(74) *Attorney, Agent, or Firm*—Sughrue Mion, PLLC

(57) **CLAIM**

The ornamental design for an air conditioner, as shown and described.

DESCRIPTION

FIG. 1 is a perspective view of the front, bottom and one end of an air conditioner showing my new design;
 FIG. 2 is a front elevational view thereof;
 FIG. 3 is a top plan view thereof;
 FIG. 4 is a bottom plan view thereof;
 FIG. 5 is an end elevational view of said one end thereof, the opposite end being a mirror image thereof; and,
 FIG. 6 is a perspective view similar to FIG. 1 with the air control slate in the open position.

1 Claim, 5 Drawing Sheets

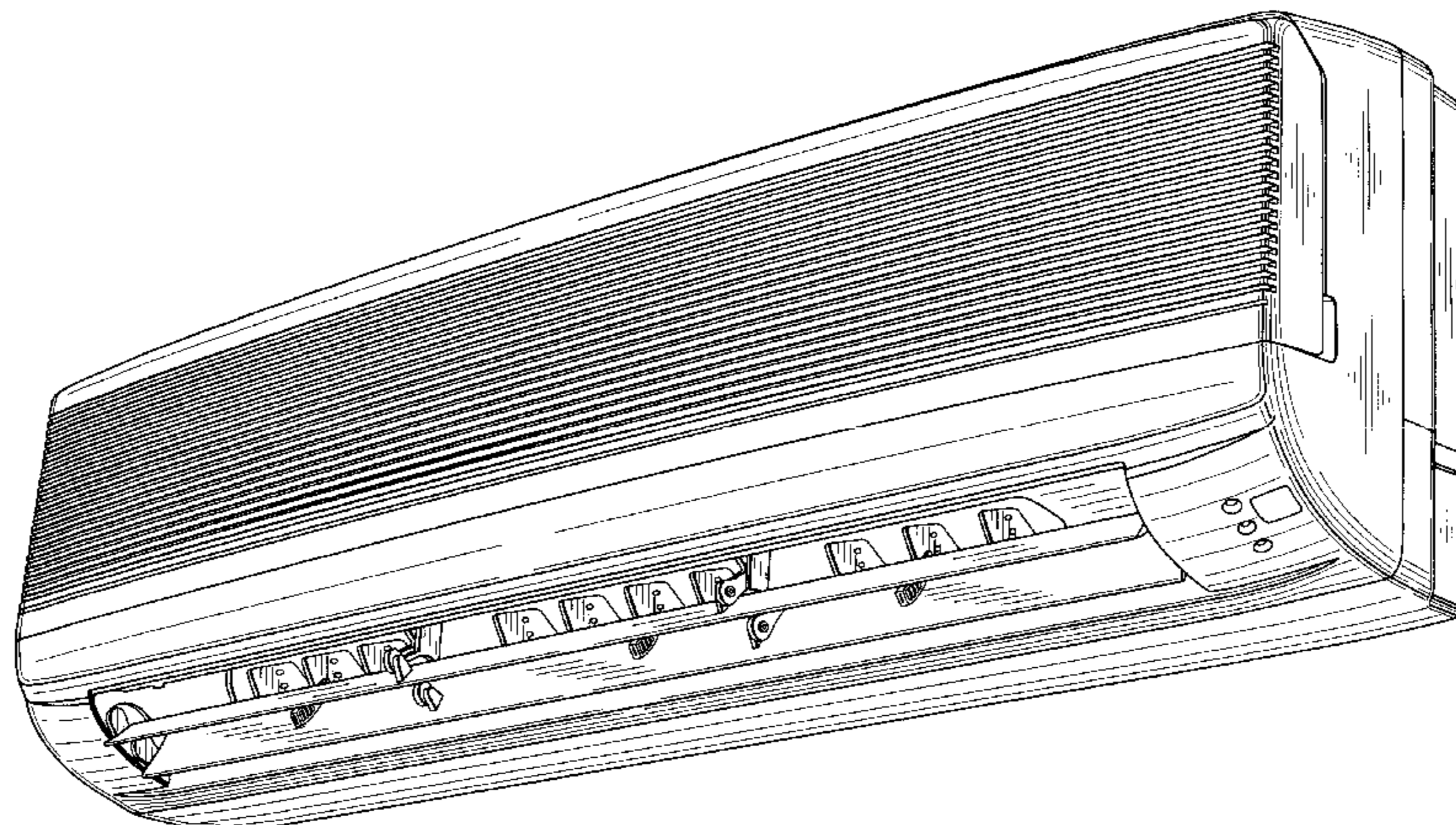
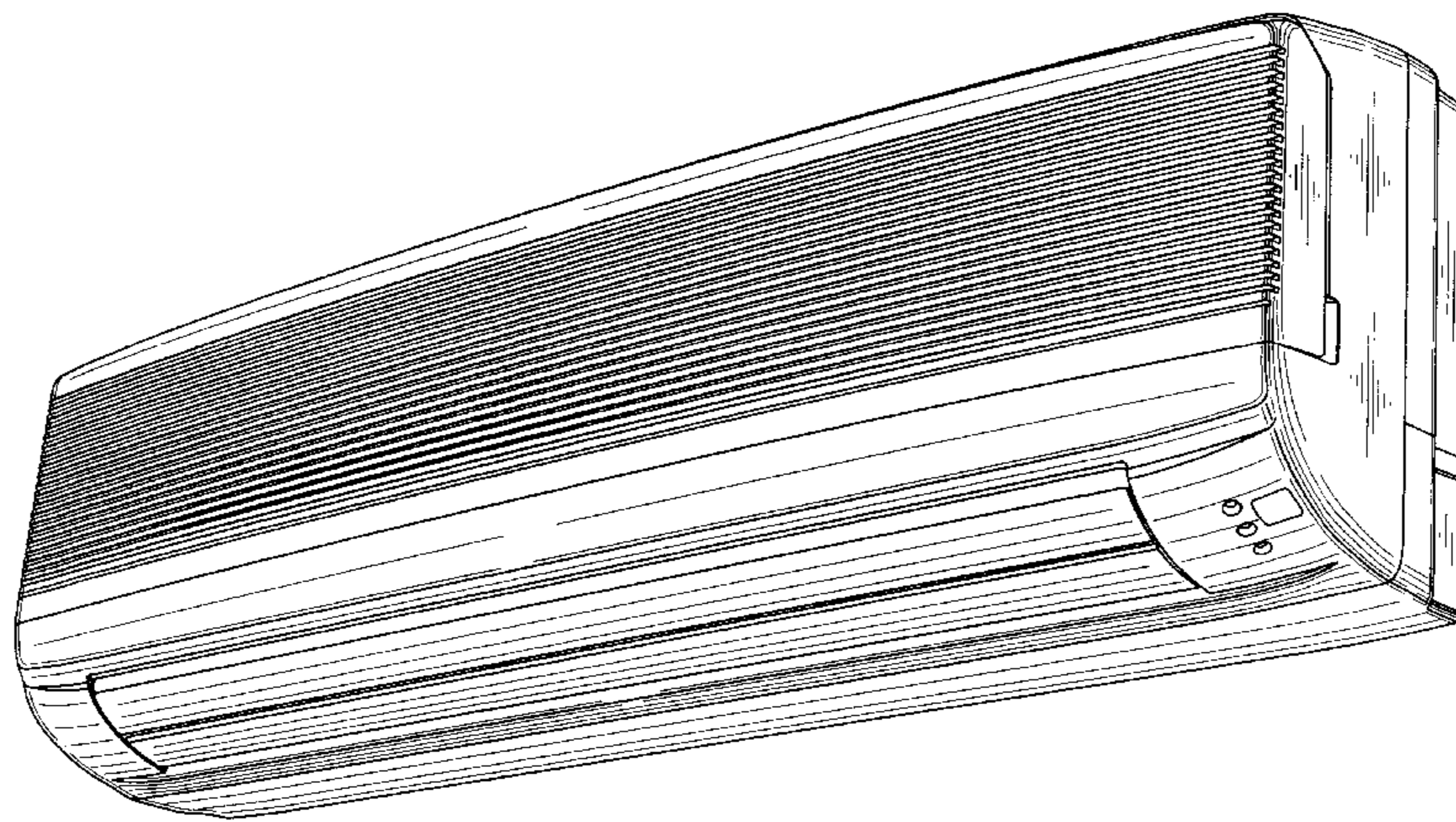


FIG. 1

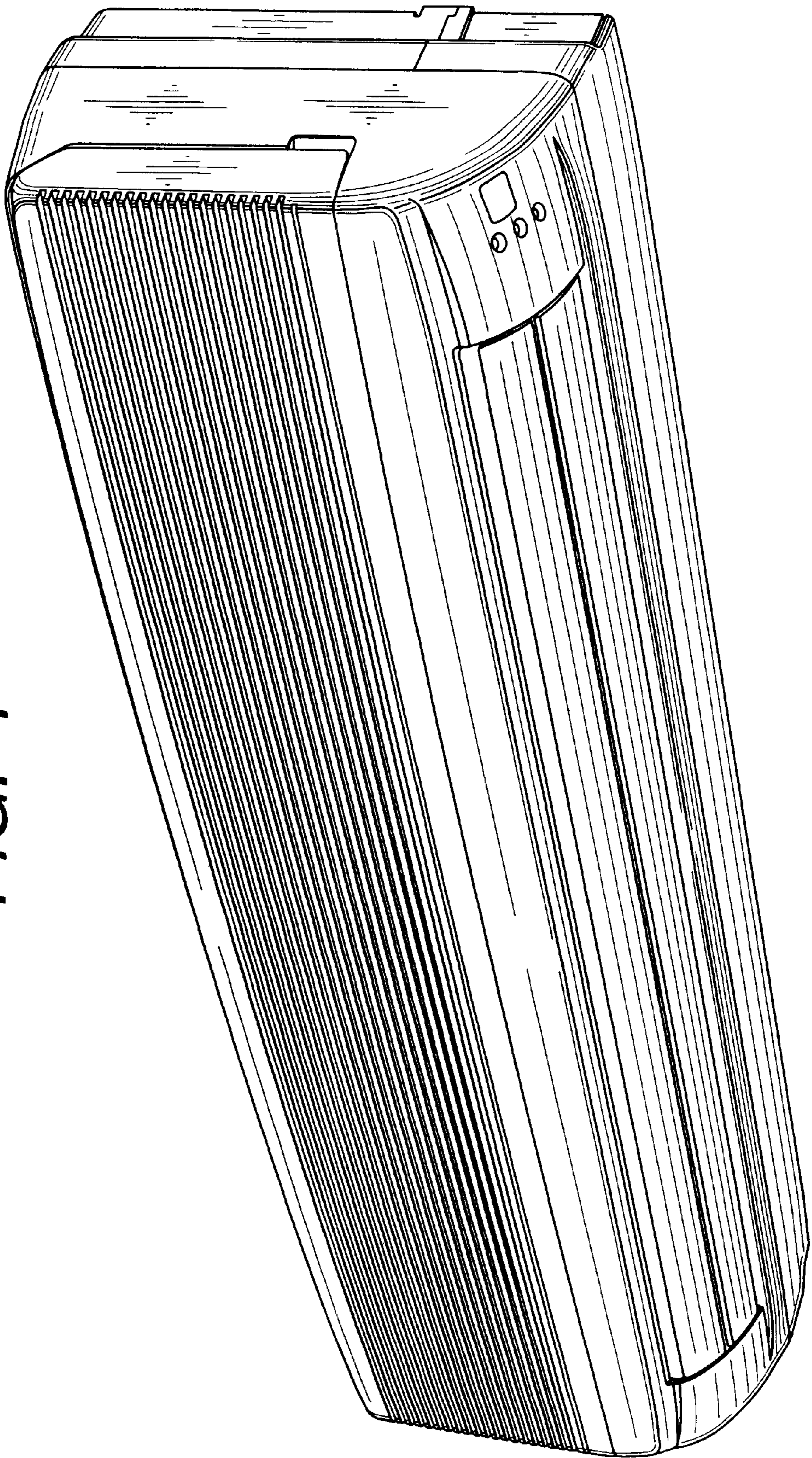


FIG. 2

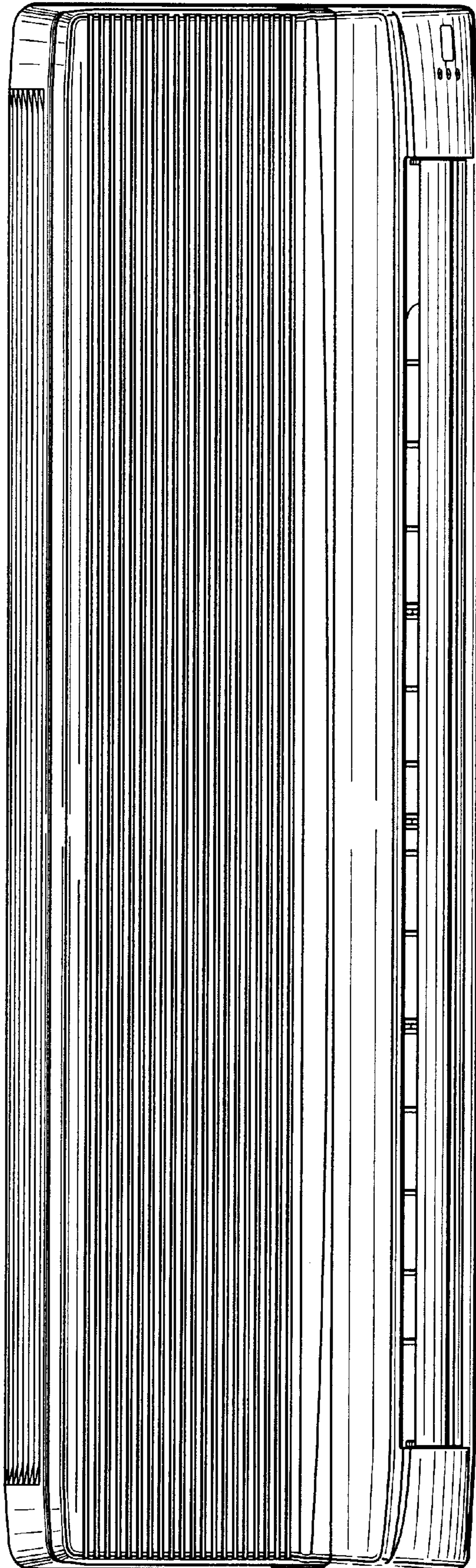


FIG. 3

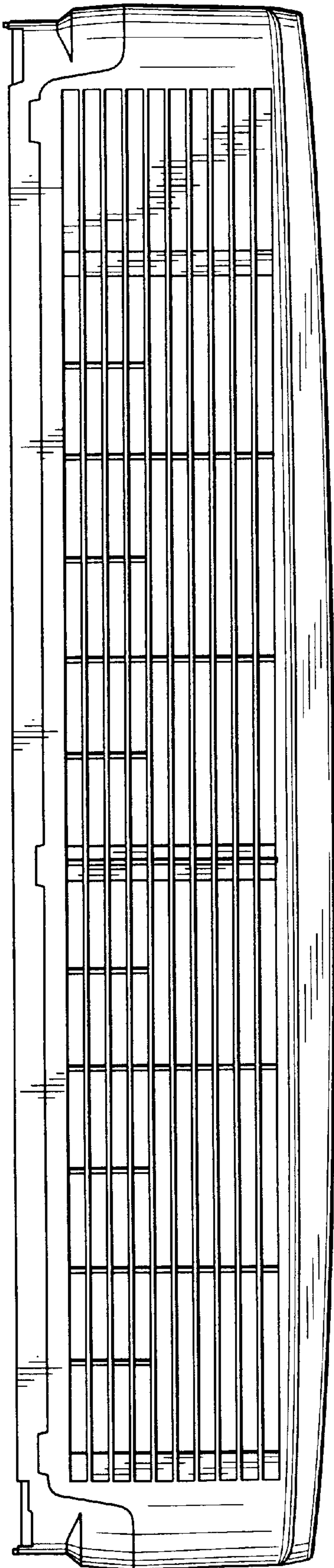


FIG. 4

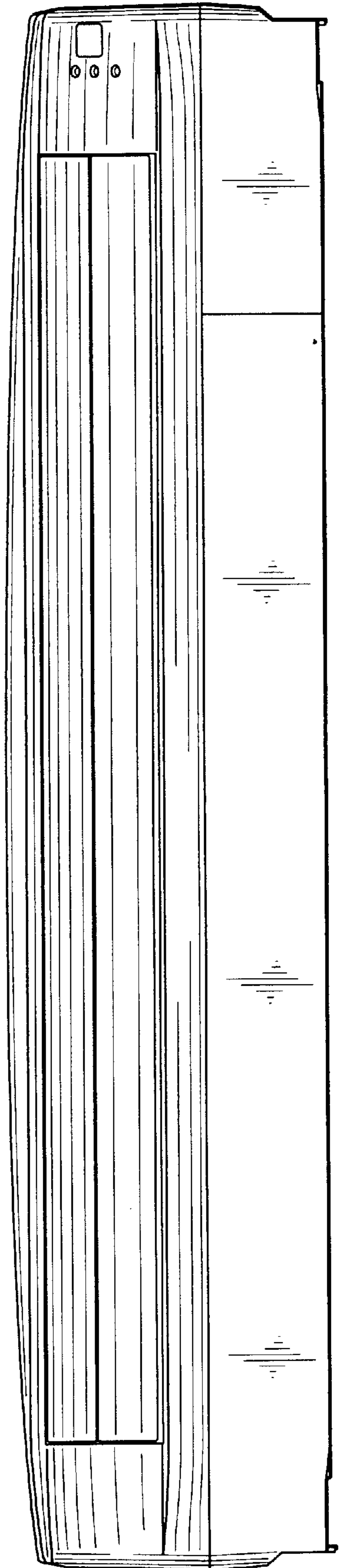


FIG. 5

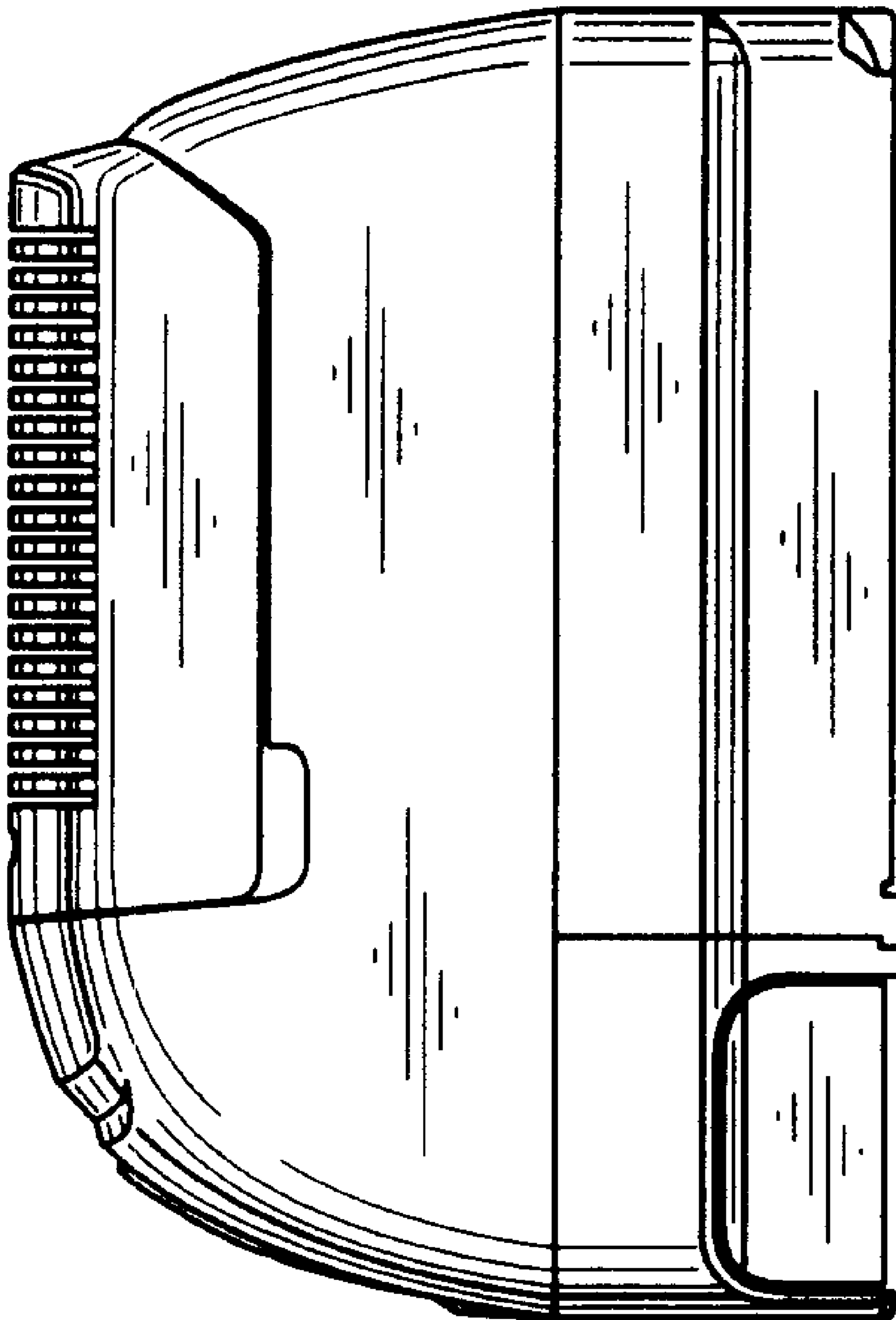


FIG. 6

