



US00D454185S

(12) **United States Design Patent**
Lantigua et al.

(10) **Patent No.:** **US D454,185 S**

(45) **Date of Patent:** **** Mar. 5, 2002**

(54) **LATRINE**

(76) **Inventors:** **Rolando Lantigua; Carlos Taveres,**
both of One Nagle Ave., New York, NY
(US) 10040

(**) **Term:** **14 Years**

(21) **Appl. No.:** **29/137,197**

(22) **Filed:** **Feb. 14, 2001**

(51) **LOC (7) Cl.** **23-02**

(52) **U.S. Cl.** **D23/311**

(58) **Field of Search** D23/270-272,
D23/295-301, 303, 309-313; 4/667, 300,
312, 329, 340-342, 420, 449, 460, 476-477,
479-483, 237, 242.1, 902, DIG. 15, 420.3

(56) **References Cited**

U.S. PATENT DOCUMENTS

345,890 A * 7/1886 Farson 4/420.3
804,019 A * 11/1905 Lotz D23/299 X

1,527,340 A * 2/1925 Wood D23/299 X
2,749,968 A * 6/1956 Suser 4/420 X
3,149,146 A * 9/1964 Springer D23/295 X

* cited by examiner

Primary Examiner—Louis S. Zarfes

Assistant Examiner—Robert A. Delehanty

(74) *Attorney, Agent, or Firm*—Alfred M. Walker

(57) **CLAIM**

The ornamental design for a latrine, as shown and described.

DESCRIPTION

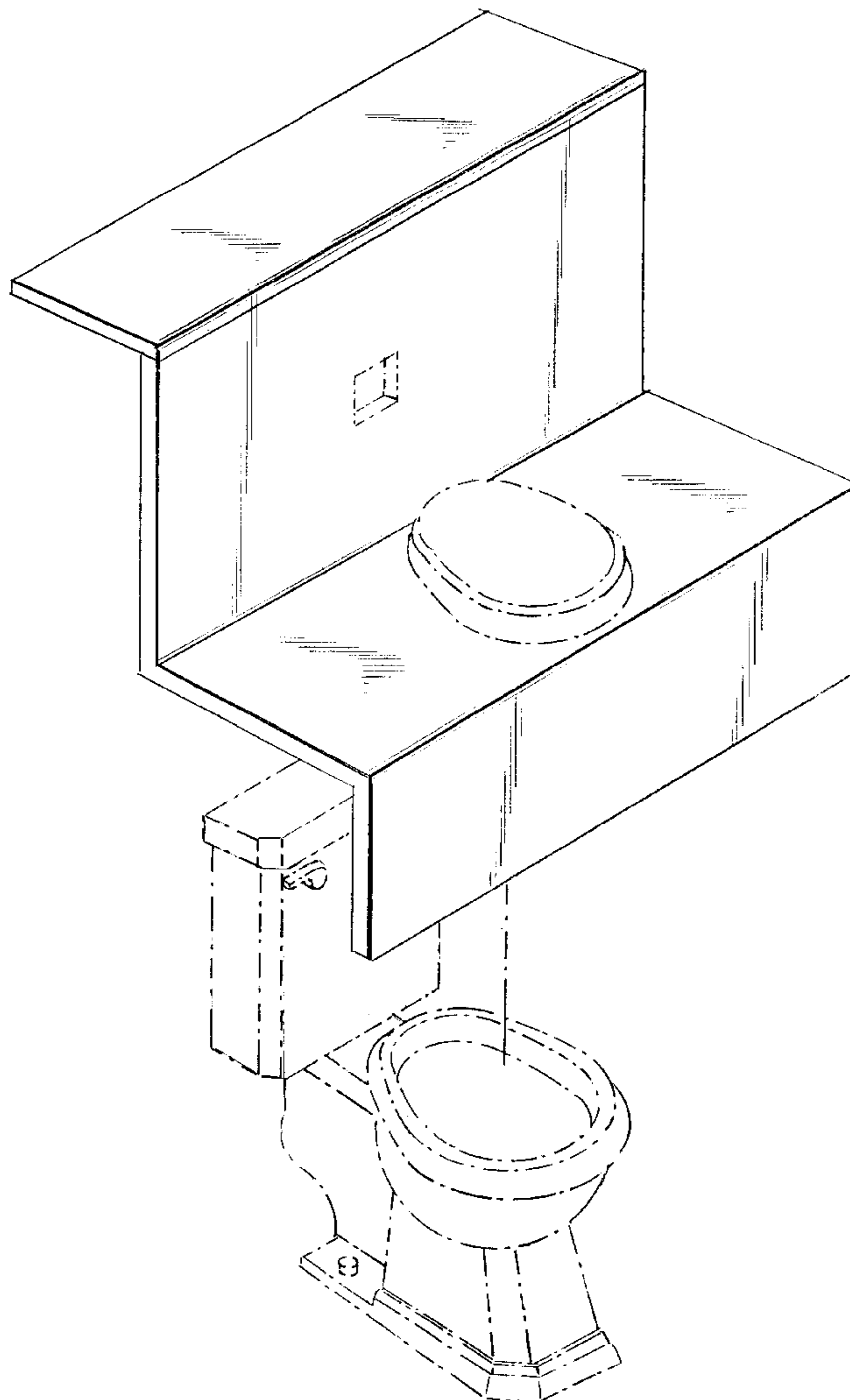
FIG. 1 is an exploded perspective view of a latrine, showing our new design;

FIG. 2 is a top plan view thereof;

FIG. 3 is a front elevation view thereof; and,

FIG. 4 is a right side elevational view thereof; the left side being a mirror image thereof. The toilet is shown in dotted lines for environmental purposes only and forms no part of the claimed design.

1 Claim, 2 Drawing Sheets



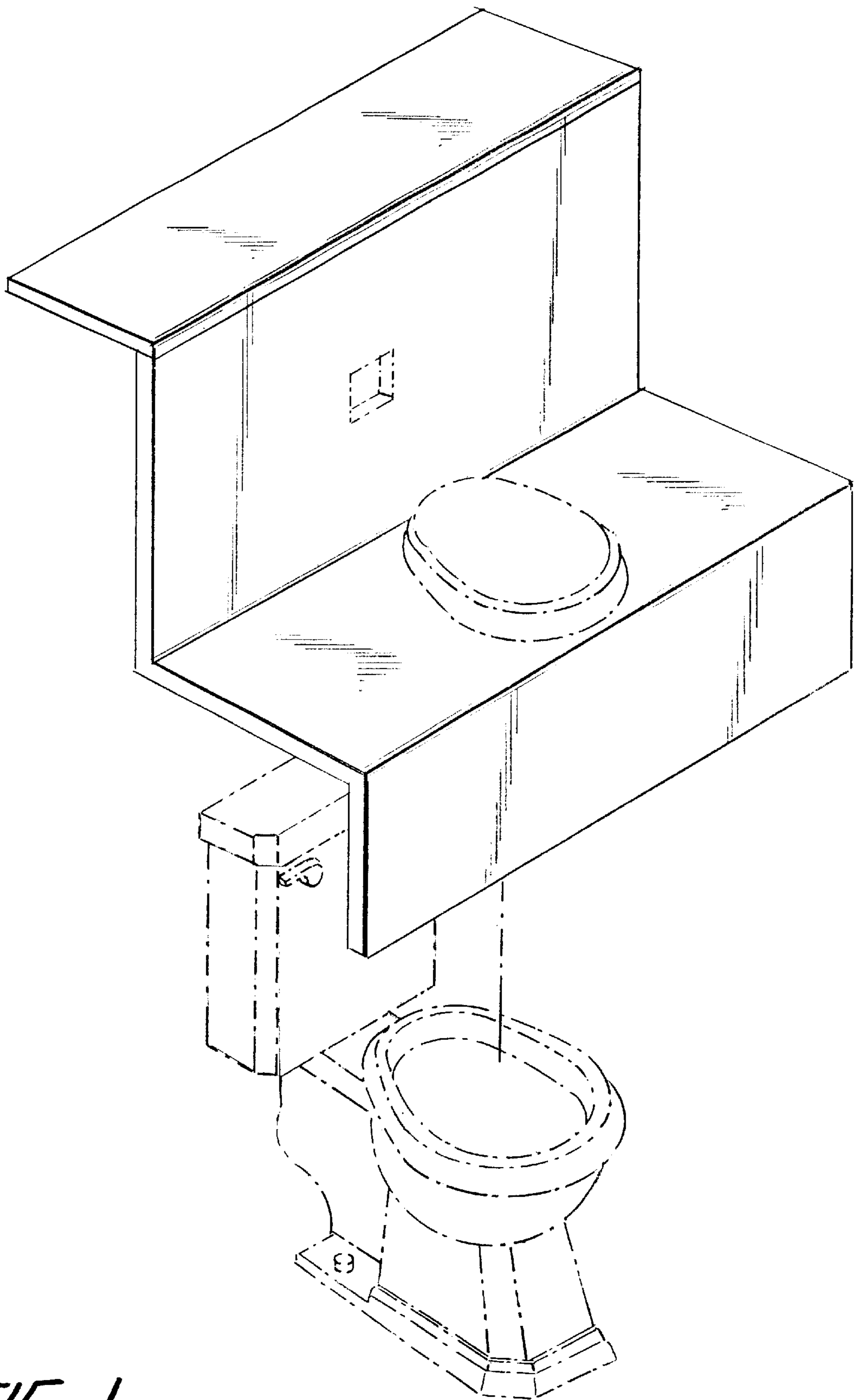


FIG. 1

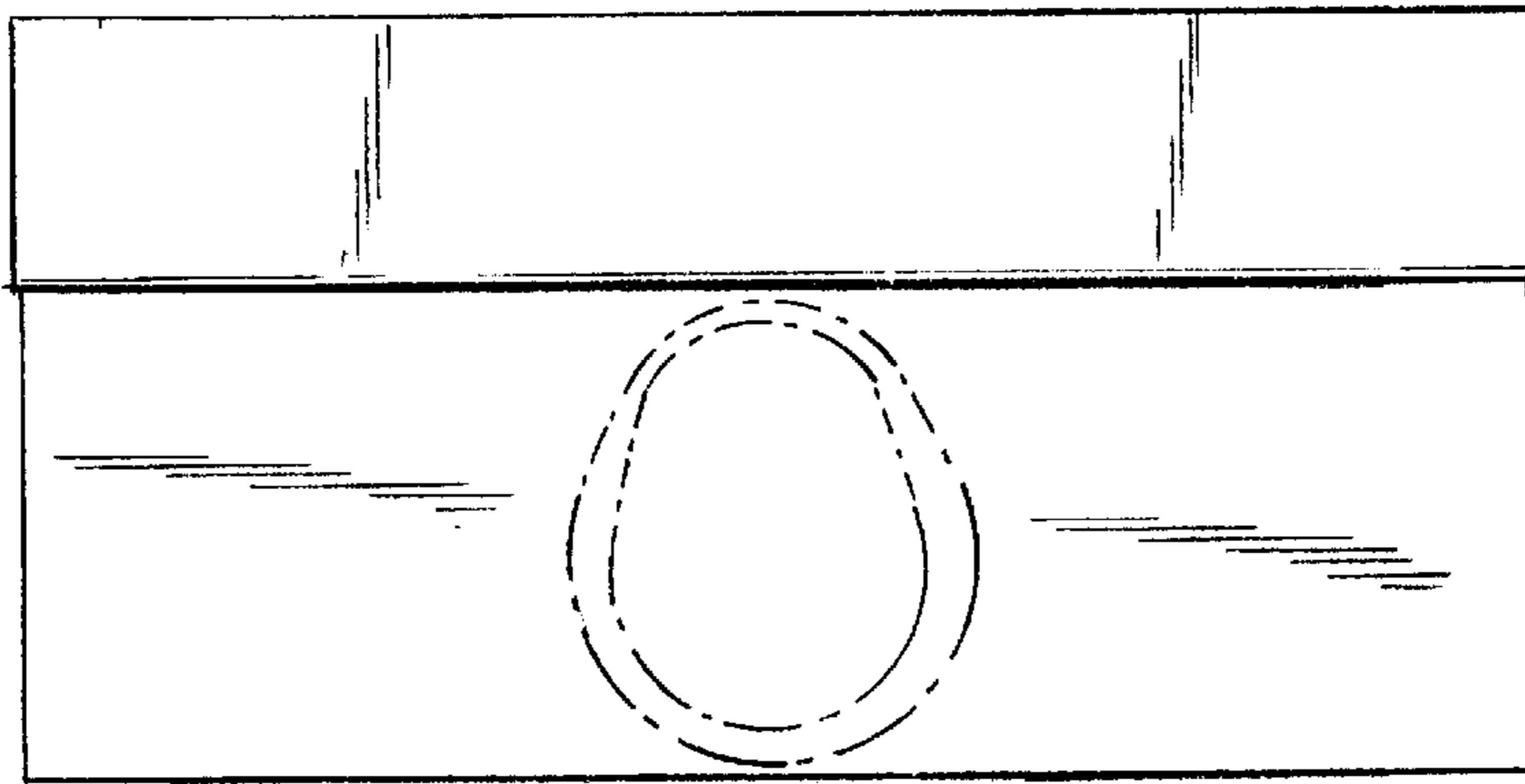


FIG. 2

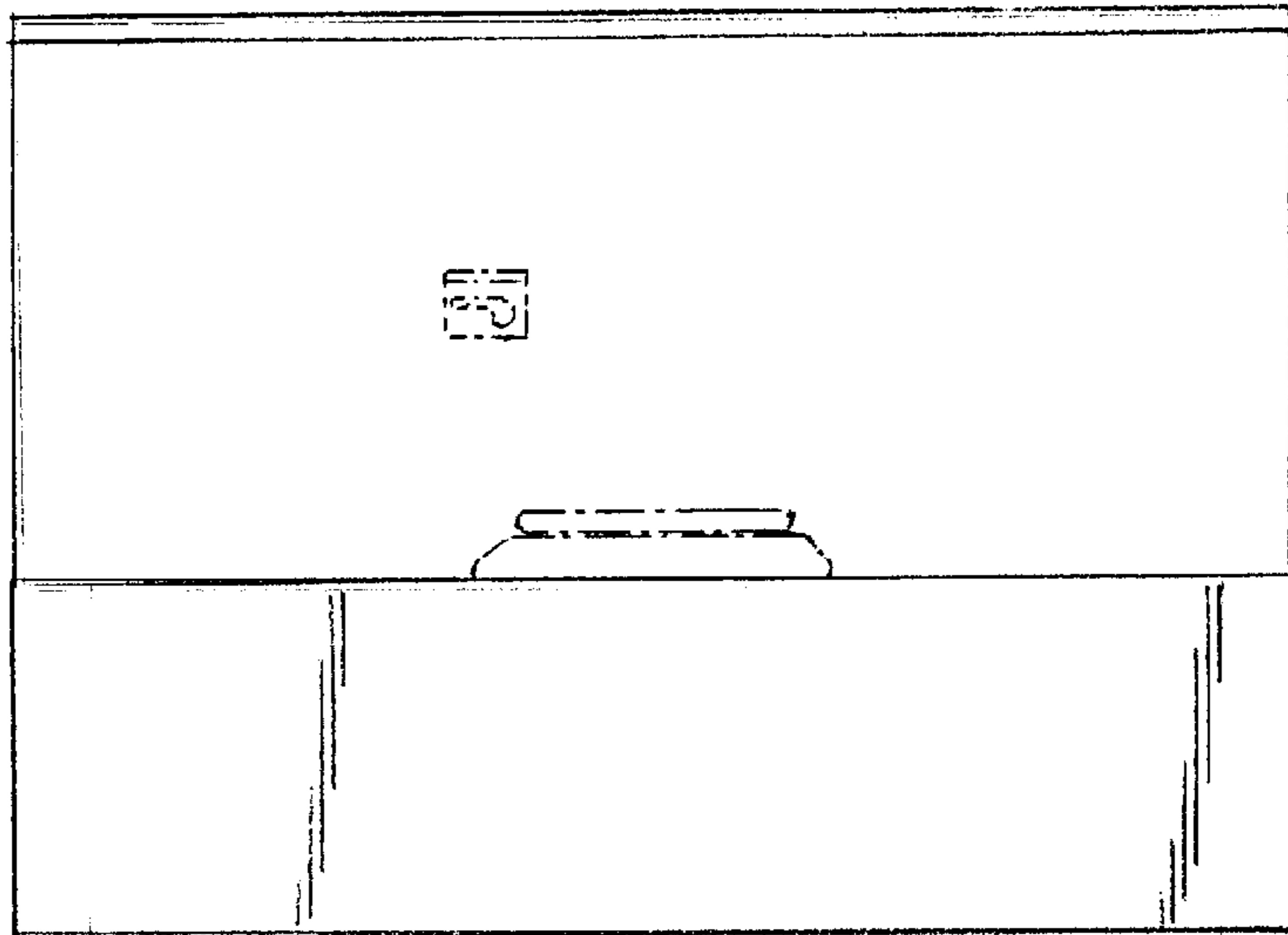


FIG. 3

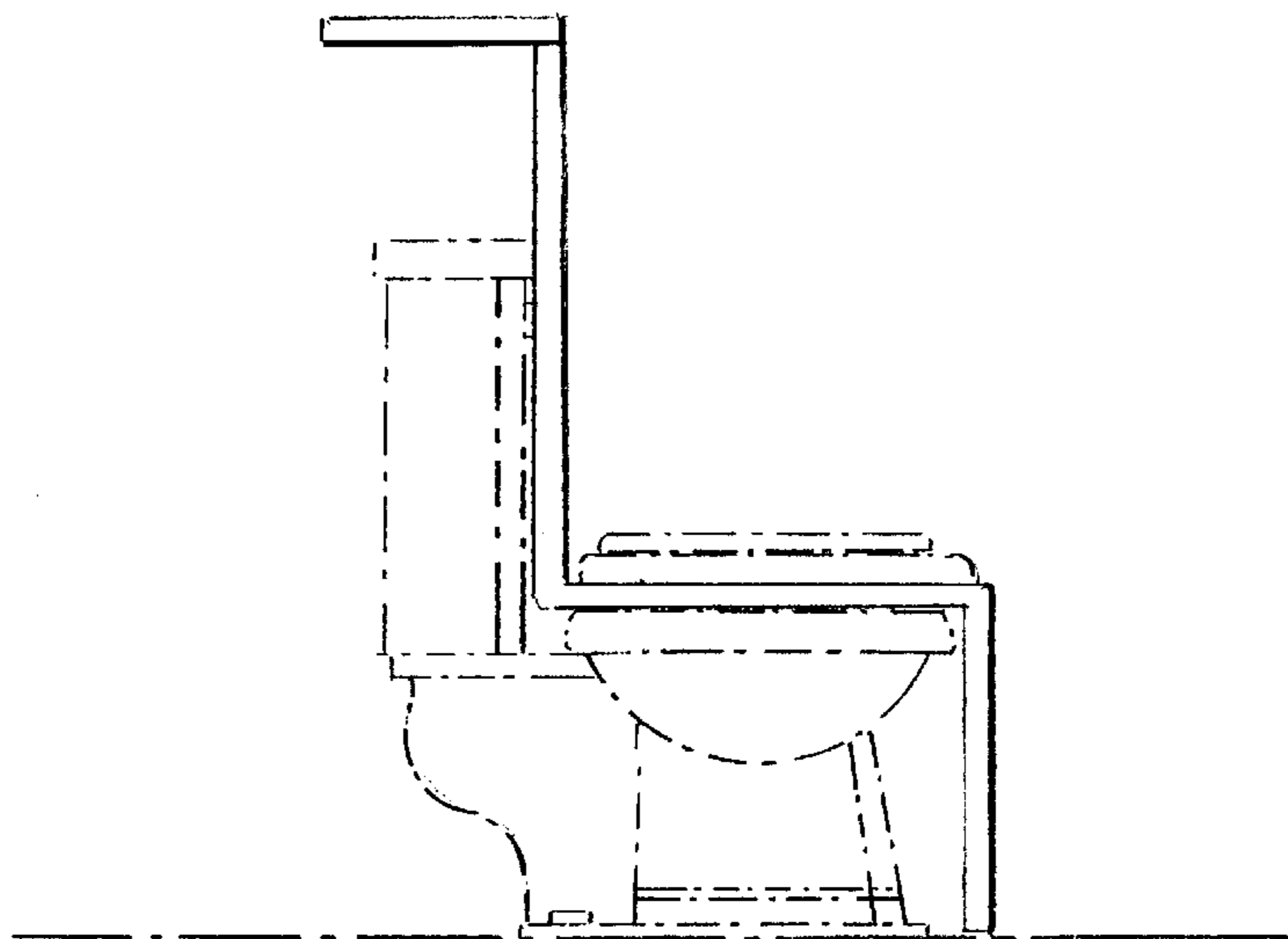


FIG. 4