



US00D454183S

(12) **United States Design Patent**
Yates et al.

(10) **Patent No.:** **US D454,183 S**

(45) **Date of Patent:** **** Mar. 5, 2002**

(54) **SINK-TYPE PARTS WASHING APPARATUS**

(75) Inventors: **James Patrick Yates**, Charleston, IL (US); **Brendan Alan Carey**; **John Abbott Richards**, both of Tucson, AZ (US)

(73) Assignee: **James P. Yates**, Charleston, IL (US)

(**) Term: **14 Years**

(21) Appl. No.: **29/126,778**

(22) Filed: **Jul. 24, 2000**

(51) **LOC (7) Cl.** **23-02**

(52) **U.S. Cl.** **D23/287; D23/286; D23/292**

(58) **Field of Search** D23/270-273,
D23/284-292, 293.1, 303, 308; 4/619, 621-627,
630-638, 640, 643-646, 650-654, 656,
658-661

(56) **References Cited**

U.S. PATENT DOCUMENTS

128,322 A * 6/1872 Nesbitt 4/619 X

D276,869 S * 12/1984 Doman D23/293.1 X

D442,679 S * 5/2001 Roberts D23/284

D443,682 S * 6/2001 Niven D23/293.1

D443,683 S * 6/2001 Freeman D23/293.1

* cited by examiner

Primary Examiner—Louis S. Zarfes

Assistant Examiner—Robert A. Delehanty

(74) *Attorney, Agent, or Firm*—Kenneth E. Darnell

(57) **CLAIM**

The ornamental design of a sink-type parts washing apparatus, as shown and described.

DESCRIPTION

FIG. 1 is a top plan view of a design of a sink-type parts washing apparatus;

FIG. 2 is a side elevational view thereof;

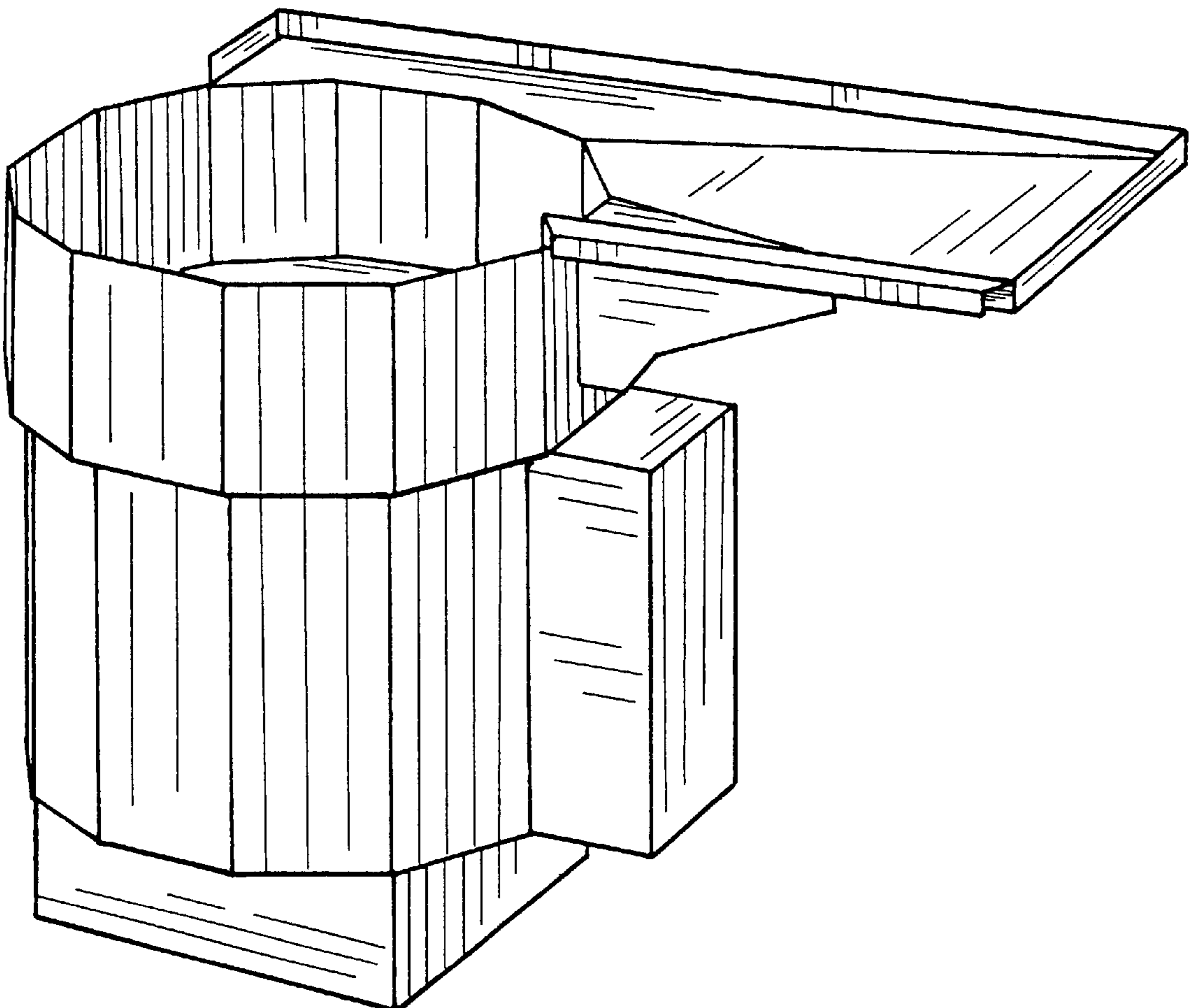
FIG. 3 is a front elevational view thereof;

FIG. 4 is a reverse side elevational view thereof;

FIG. 5 is a back elevational view thereof; and,

FIG. 6 is a top perspective view thereof.

1 Claim, 3 Drawing Sheets



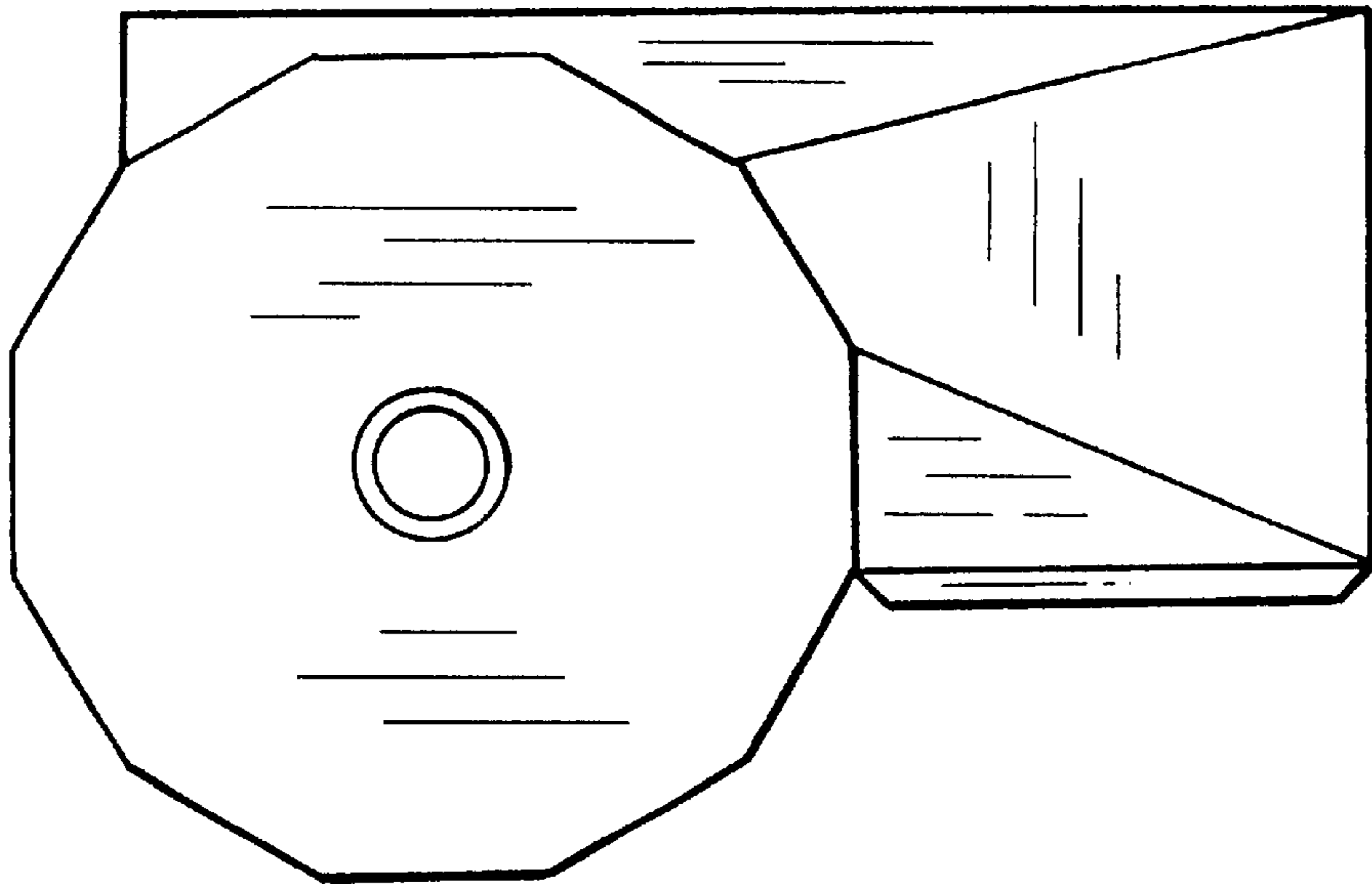


Fig. 1

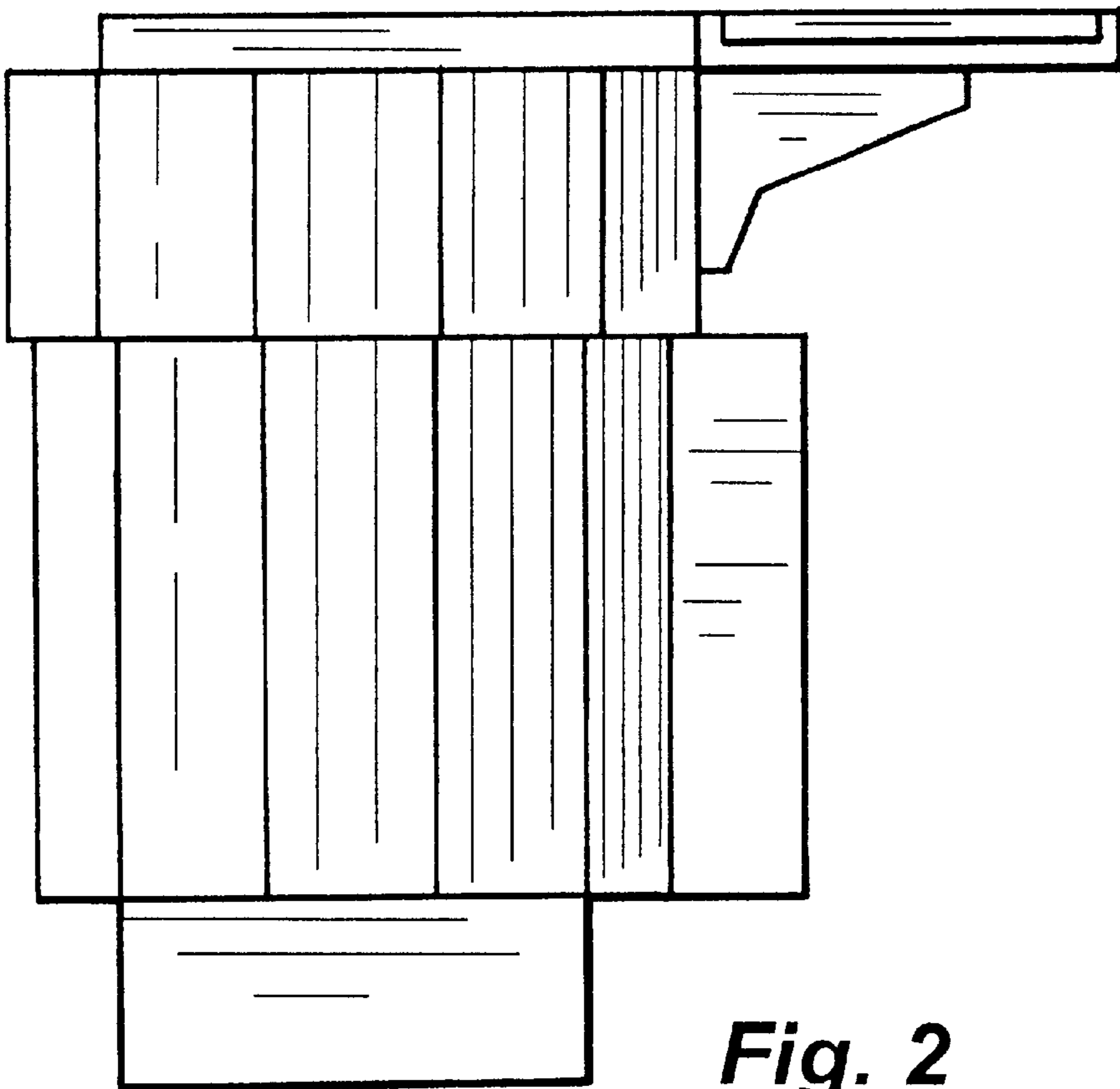


Fig. 2

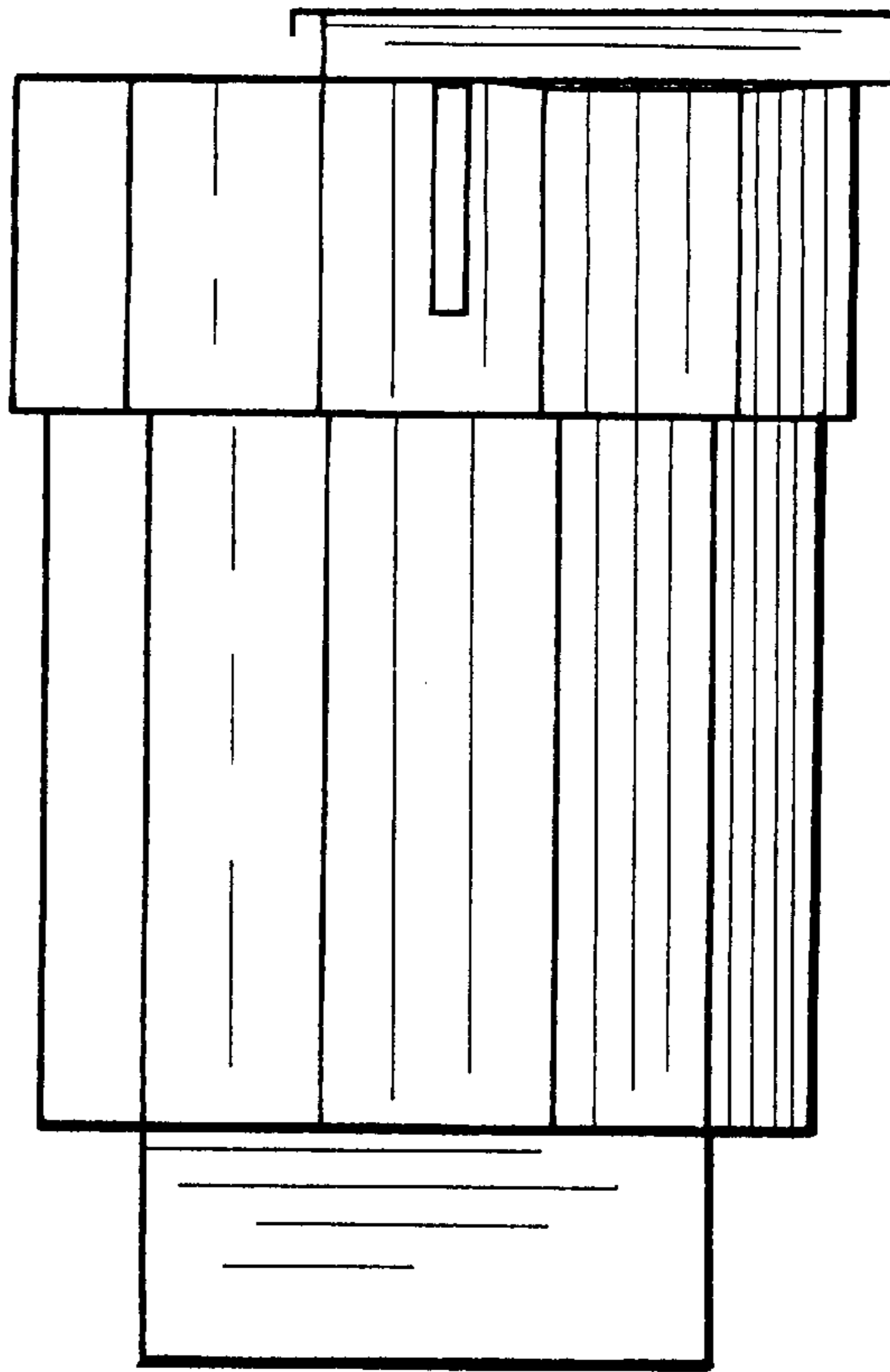


Fig. 3

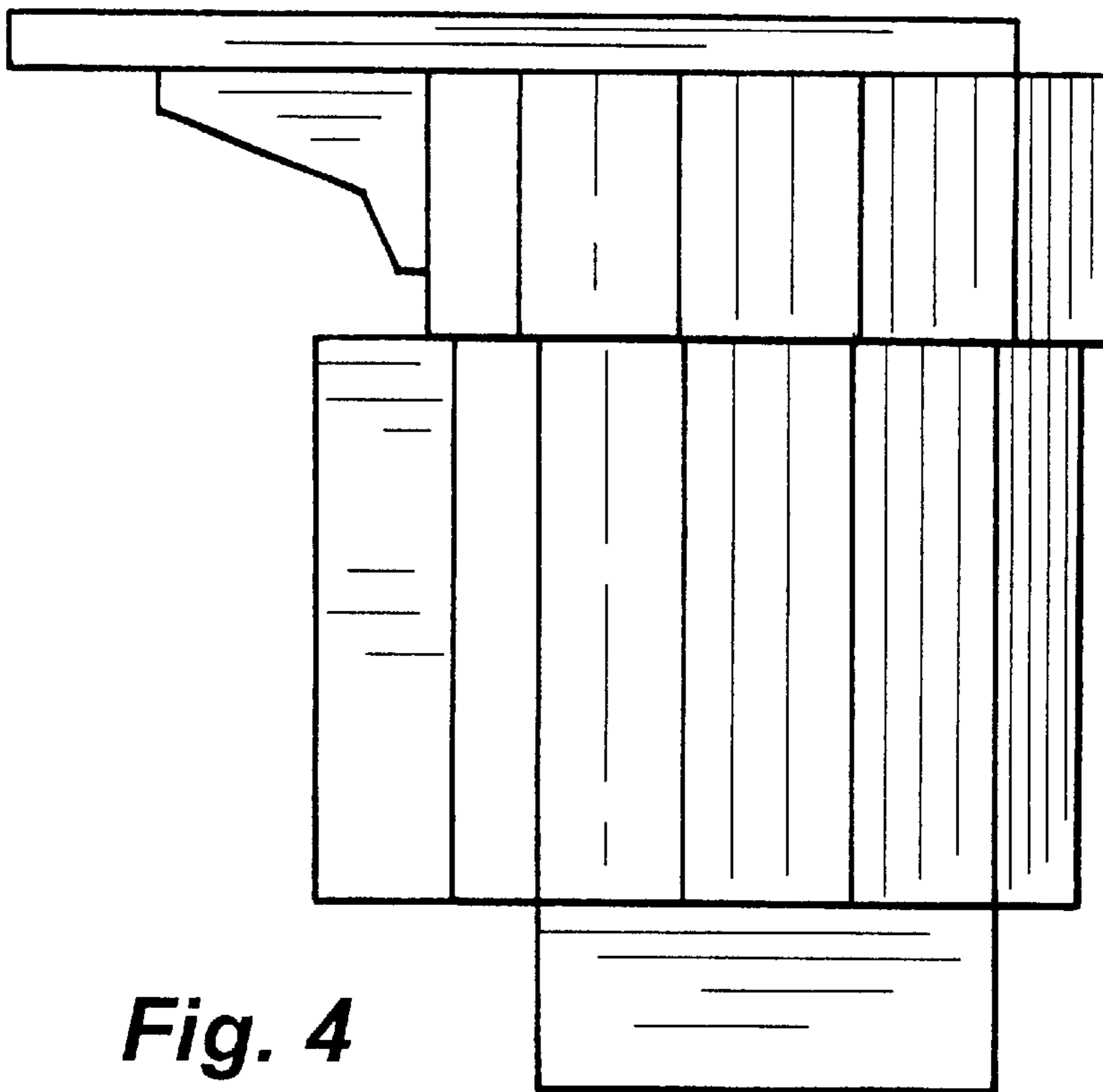


Fig. 4

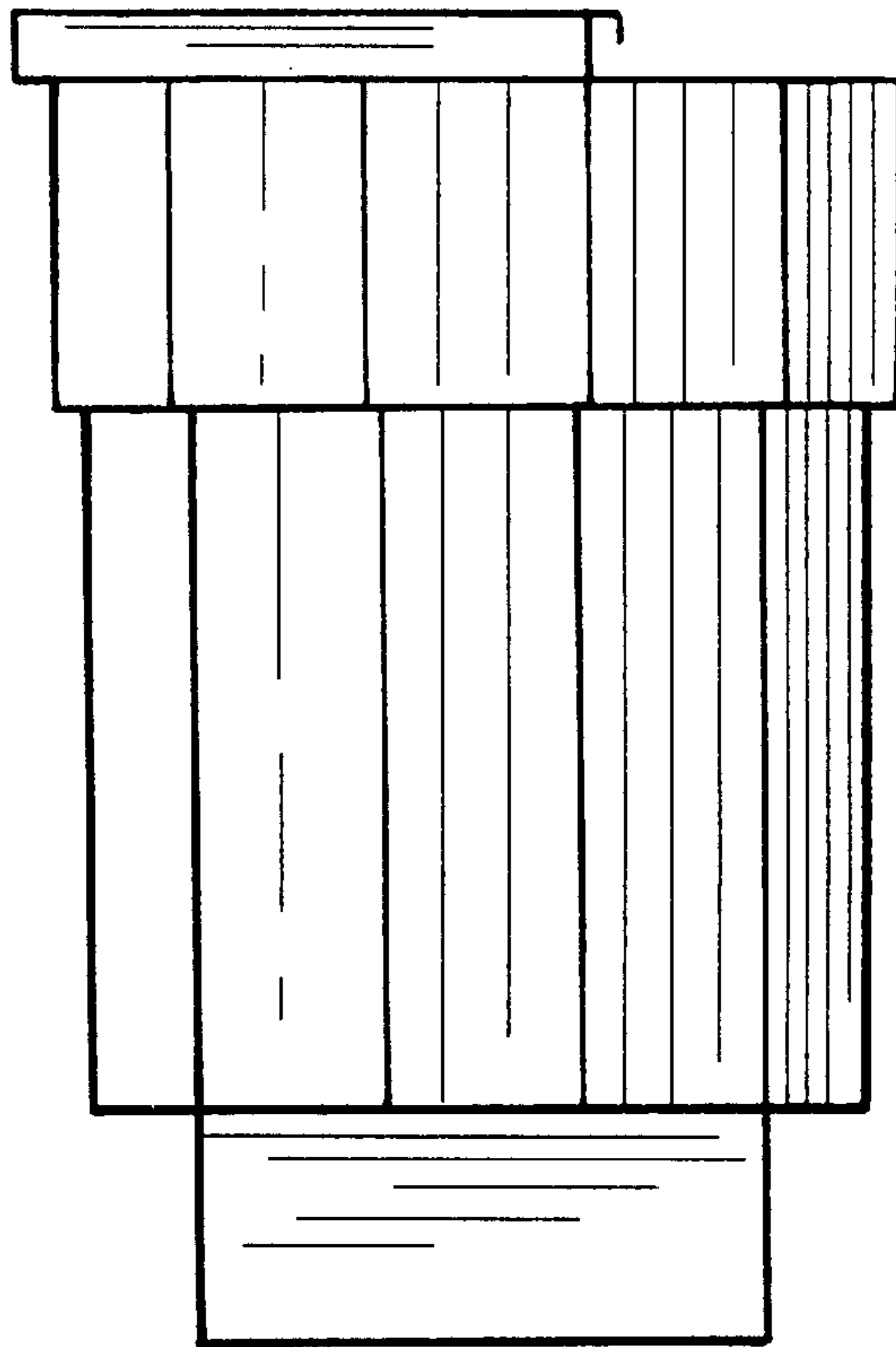


Fig. 5

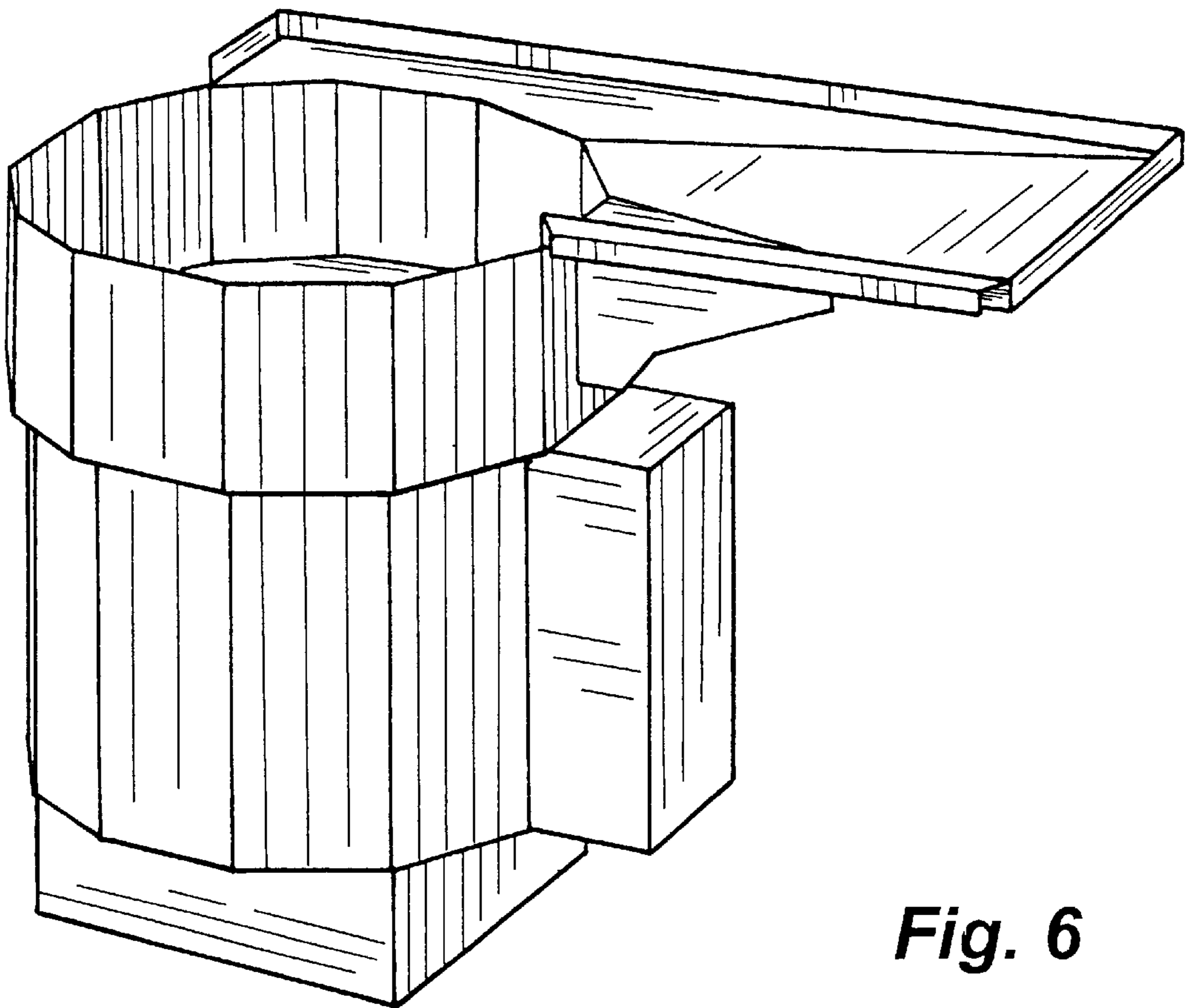


Fig. 6