



US00D454181S

(12) **United States Design Patent**
Bertoli

(10) **Patent No.:** **US D454,181 S**

(45) **Date of Patent:** **** Mar. 5, 2002**

(54) **BATHTUB**

(75) **Inventor:** **Franco Bertoli, Milan (IT)**

(73) **Assignee:** **American Standard International Inc., New York, NY (US)**

(**) **Term:** **14 Years**

(21) **Appl. No.:** **29/127,722**

(22) **Filed:** **Aug. 10, 2000**

(30) **Foreign Application Priority Data**

Feb. 11, 2000 (IT) RE2000003

(51) **LOC (7) Cl.** **23-02**

(52) **U.S. Cl.** **D23/277**

(58) **Field of Search** D23/270, 275-280.4,
D23/303-306; 4/538, 541.1-541.6, 545-548,
559, 584, 589, 594

(56) **References Cited**

U.S. PATENT DOCUMENTS

D323,025 S * 1/1992 Jacuzzi D23/280.1
D339,413 S * 9/1993 Dowse et al. D23/277

D395,698 S * 6/1998 Palacin D23/280.1
D400,979 S * 11/1998 D'Andrea et al. D23/277
D409,730 S * 5/1999 Jones D23/277

* cited by examiner

Primary Examiner—Ian Simmons
Assistant Examiner—Robert A. Delehanty

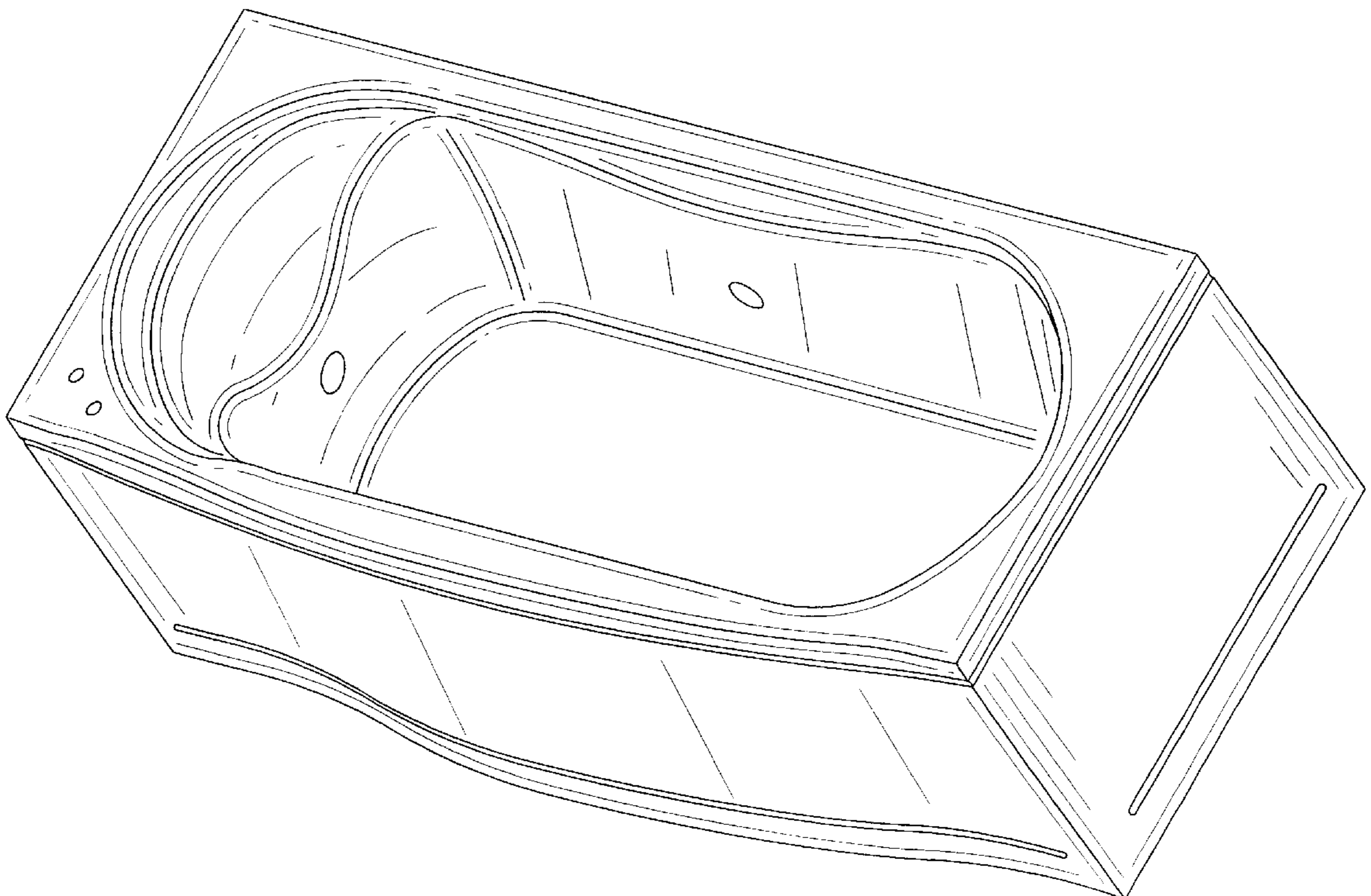
(57) **CLAIM**

The ornamental design for a bathtub, as shown and described.

DESCRIPTION

FIG. 1 is a top-front-right perspective view of a bathtub showing my new design;
FIG. 2 is a top-front perspective view;
FIG. 3 is a front elevational view;
FIG. 4 is a top plan view;
FIG. 5 is a right side elevational view;
FIG. 6 is a left side elevational view;
FIG. 7 is a longitudinal vertical cross-sectional view taken along line 7—7 of FIG. 8; and,
FIG. 8 is a transverse vertical cross-sectional view taken along line 8—8 of FIG. 7.

1 Claim, 7 Drawing Sheets



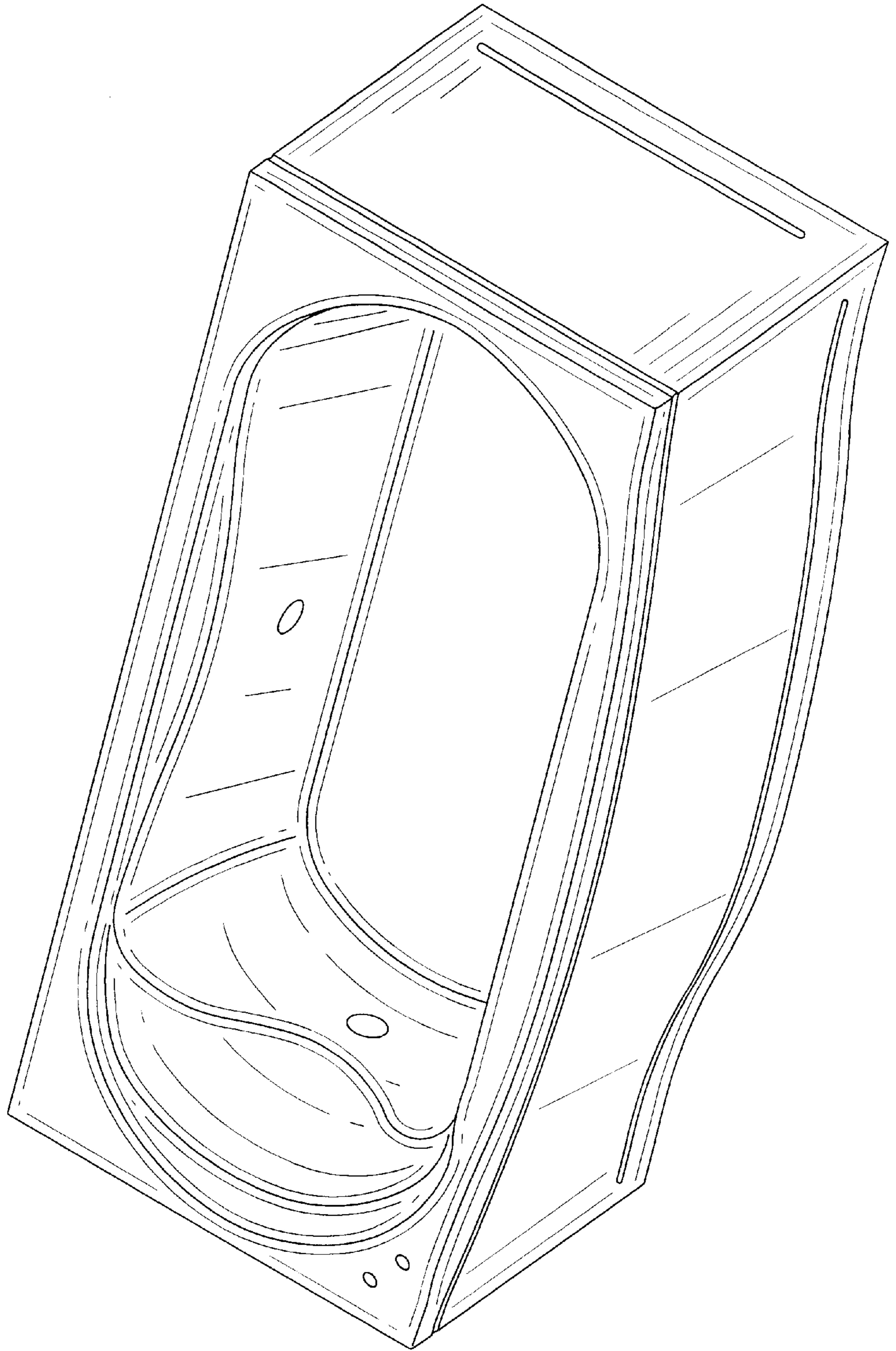


FIG. 1

FIG. 2

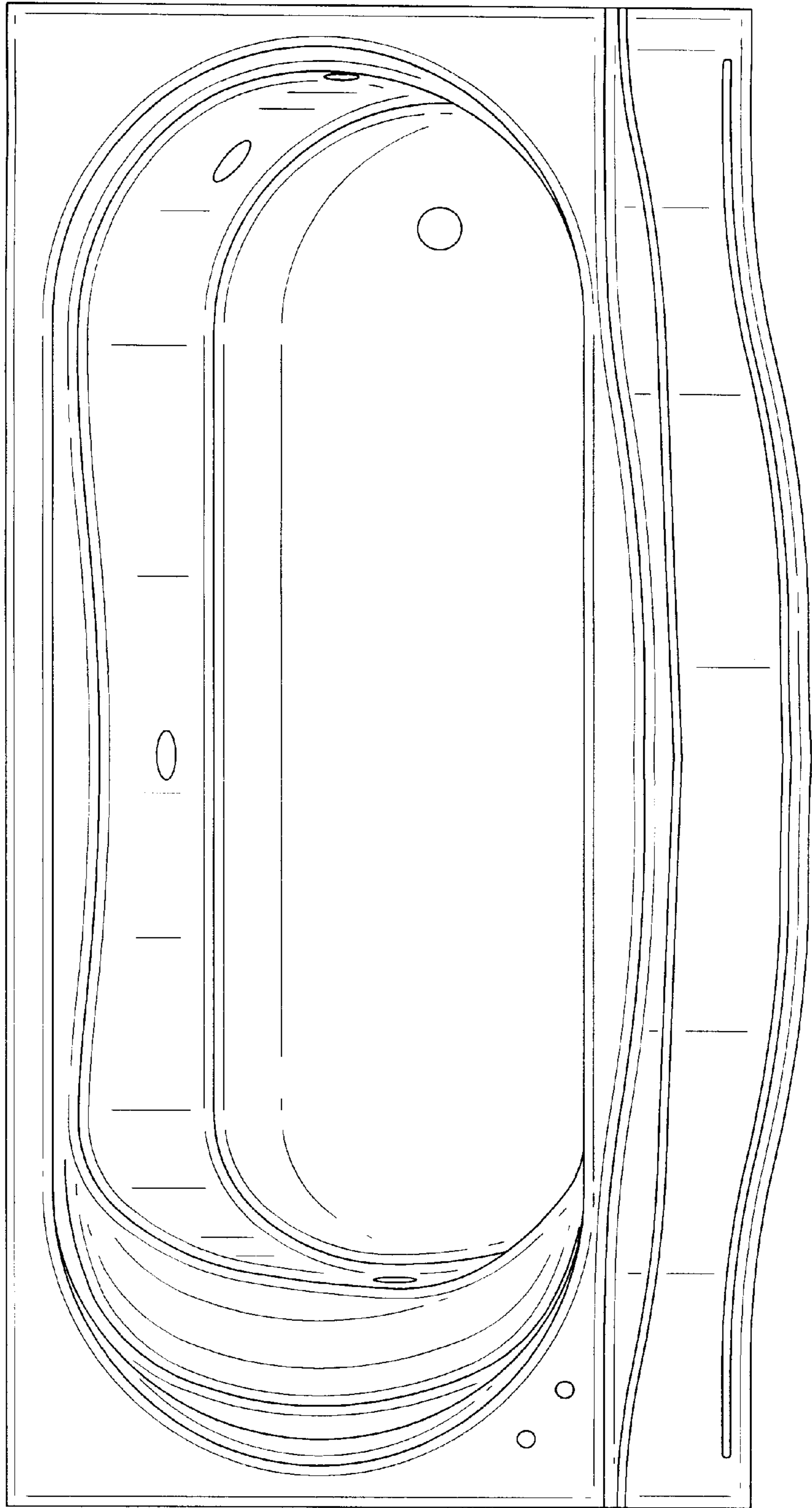


FIG. 3

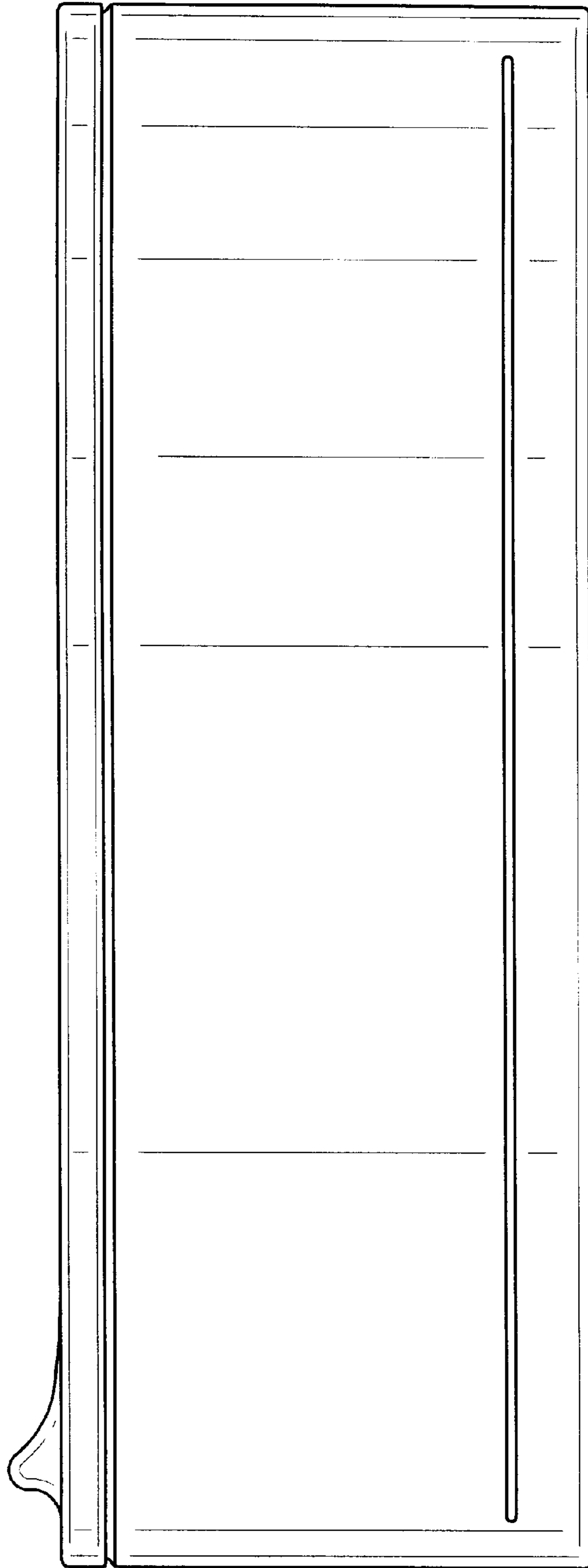


FIG. 4

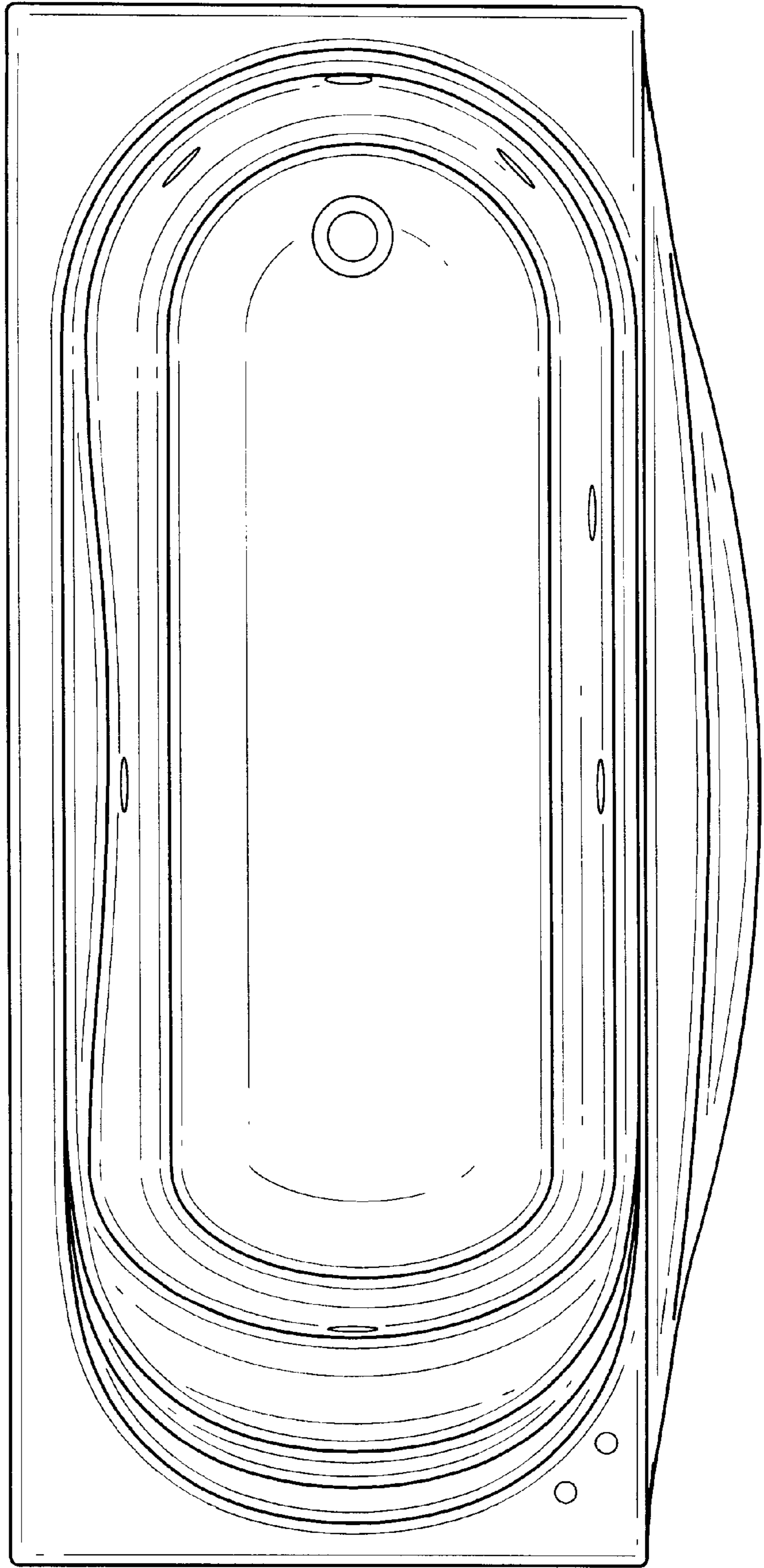


FIG. 6

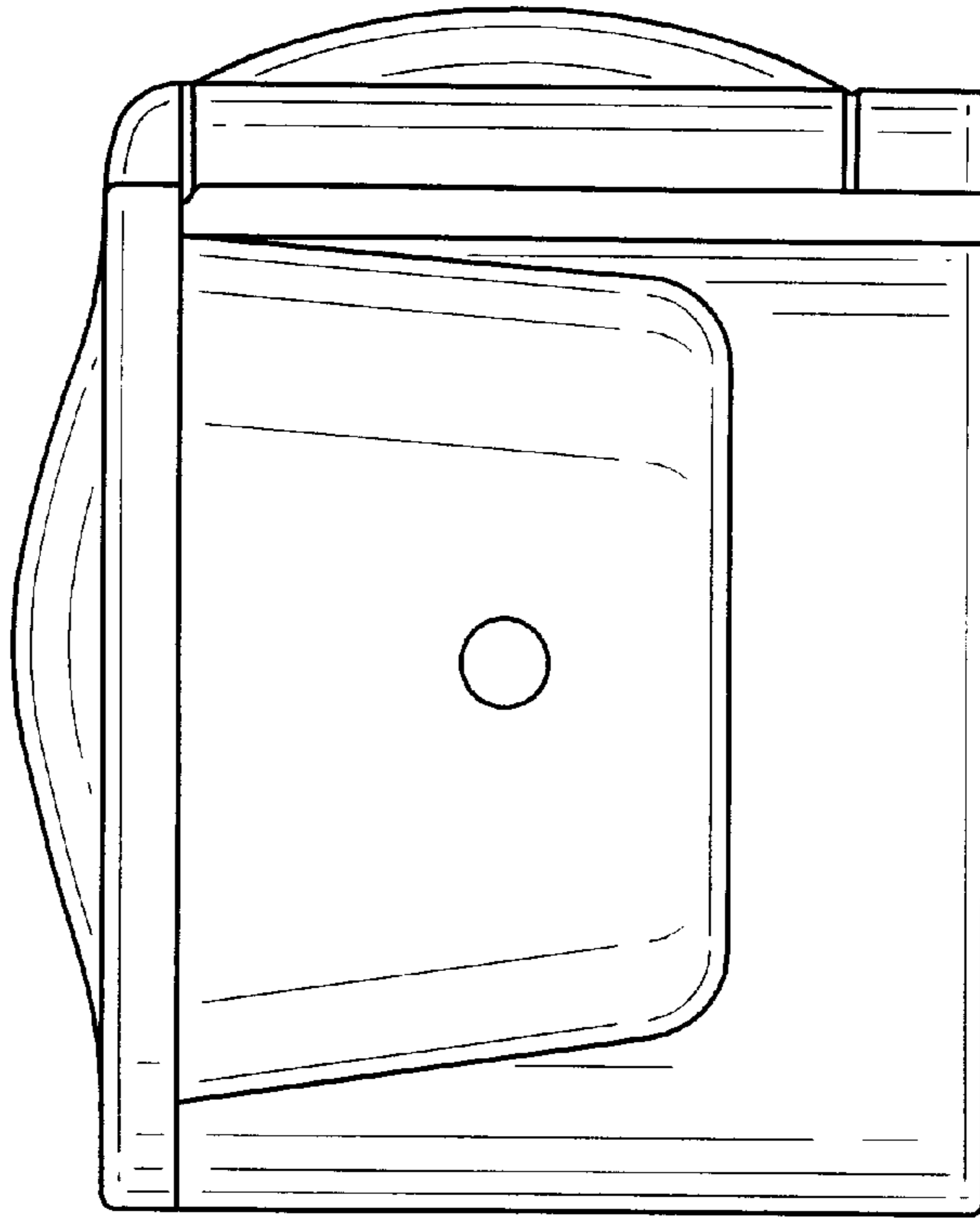


FIG. 5

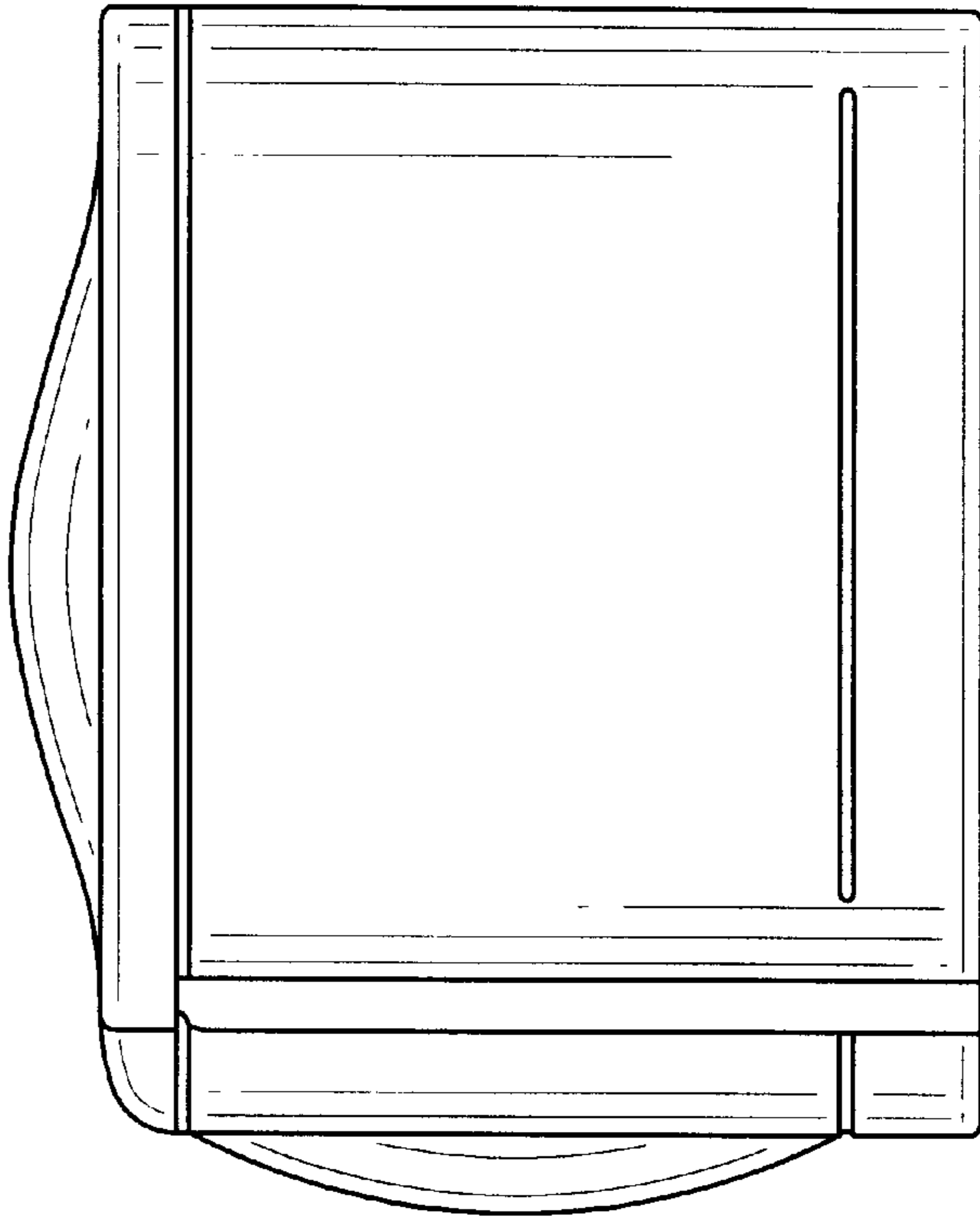


FIG. 7

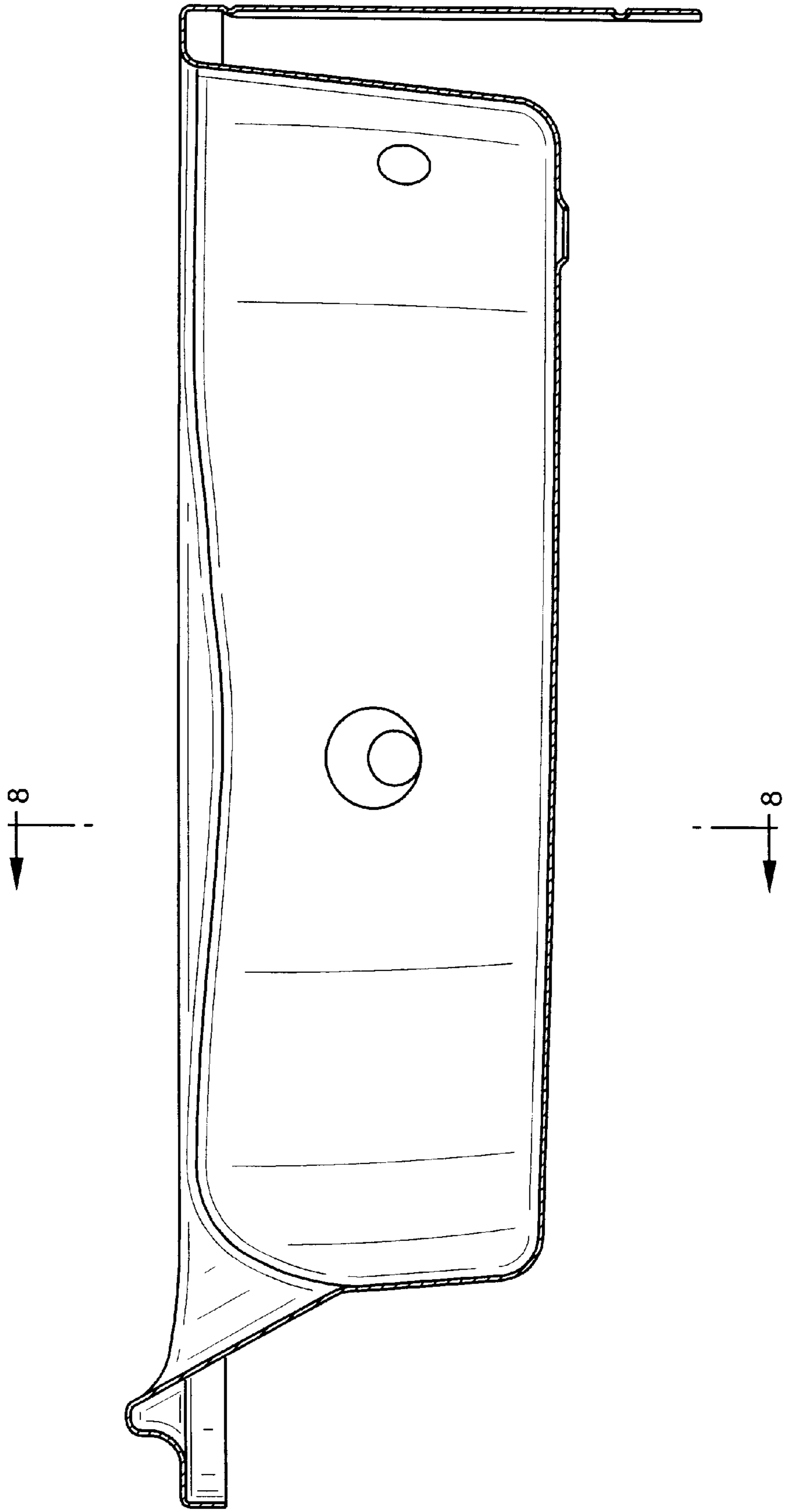


FIG. 8

