



US00D454180S

(12) **United States Design Patent**
Wessels

(10) **Patent No.:** **US D454,180 S**

(45) **Date of Patent:** **** Mar. 5, 2002**

(54) **RAIN GUTTER**

5,740,633 A * 4/1998 Champagne 52/11
5,911,659 A * 6/1999 Serano 52/12

(76) Inventor: **Ronald R Wessels**, 5062 Heather Glen
La., Concord, CA (US) 94521

* cited by examiner

(**) Term: **14 Years**

Primary Examiner—Robin V. Taylor

(74) *Attorney, Agent, or Firm*—Theodore J. Bielen, Jr.

(21) Appl. No.: **29/136,012**

(57) **CLAIM**

(22) Filed: **Jan. 23, 2001**

The ornamental design for a rain gutter, as shown and described.

(51) **LOC (7) Cl.** **23-01**

DESCRIPTION

(52) **U.S. Cl.** **D23/267; D25/119**

(58) **Field of Search** **D23/267; D25/119;**
52/11, 12, 302.3

FIG. 1 is a top, left, side perspective view showing my new design;

FIG. 2 is a left, side elevational view, thereof;

FIG. 3 is a front elevational view, thereof;

FIG. 4 is a top plan view, thereof;

FIG. 5 is a right, side elevational view, thereof;

FIG. 6 is a rear, elevational view, thereof; and,

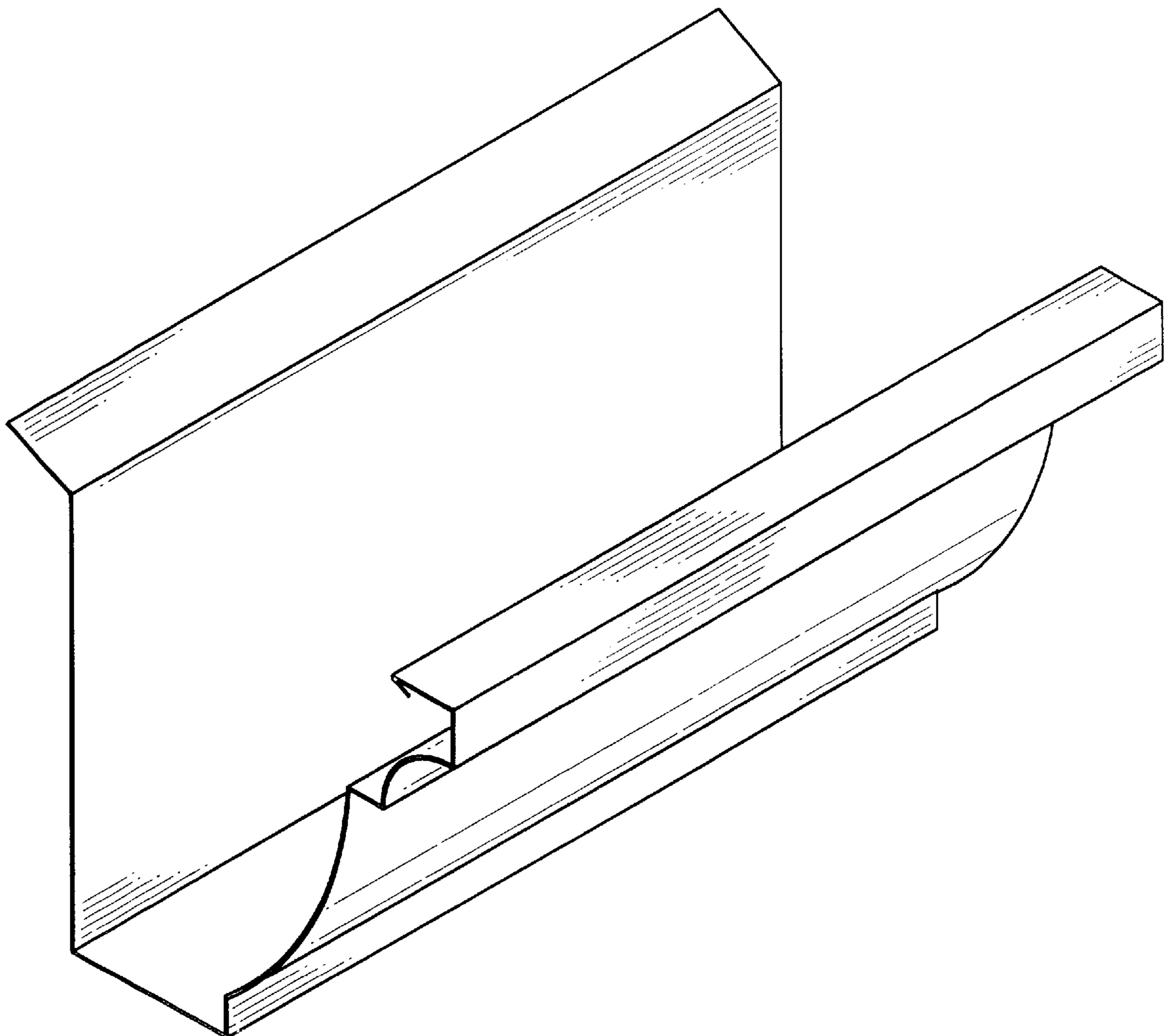
FIG. 7 is a bottom plan view, thereof.

(56) **References Cited**

U.S. PATENT DOCUMENTS

D217,247 S	*	4/1970	Brown	D23/267
D241,104 S	*	8/1976	Copeland	D25/119
4,467,570 A	*	8/1984	Kriegel	52/12
D345,498 S	*	3/1994	Fraser et al.	D25/119
5,634,299 A	*	6/1997	Gaston	52/12

1 Claim, 3 Drawing Sheets



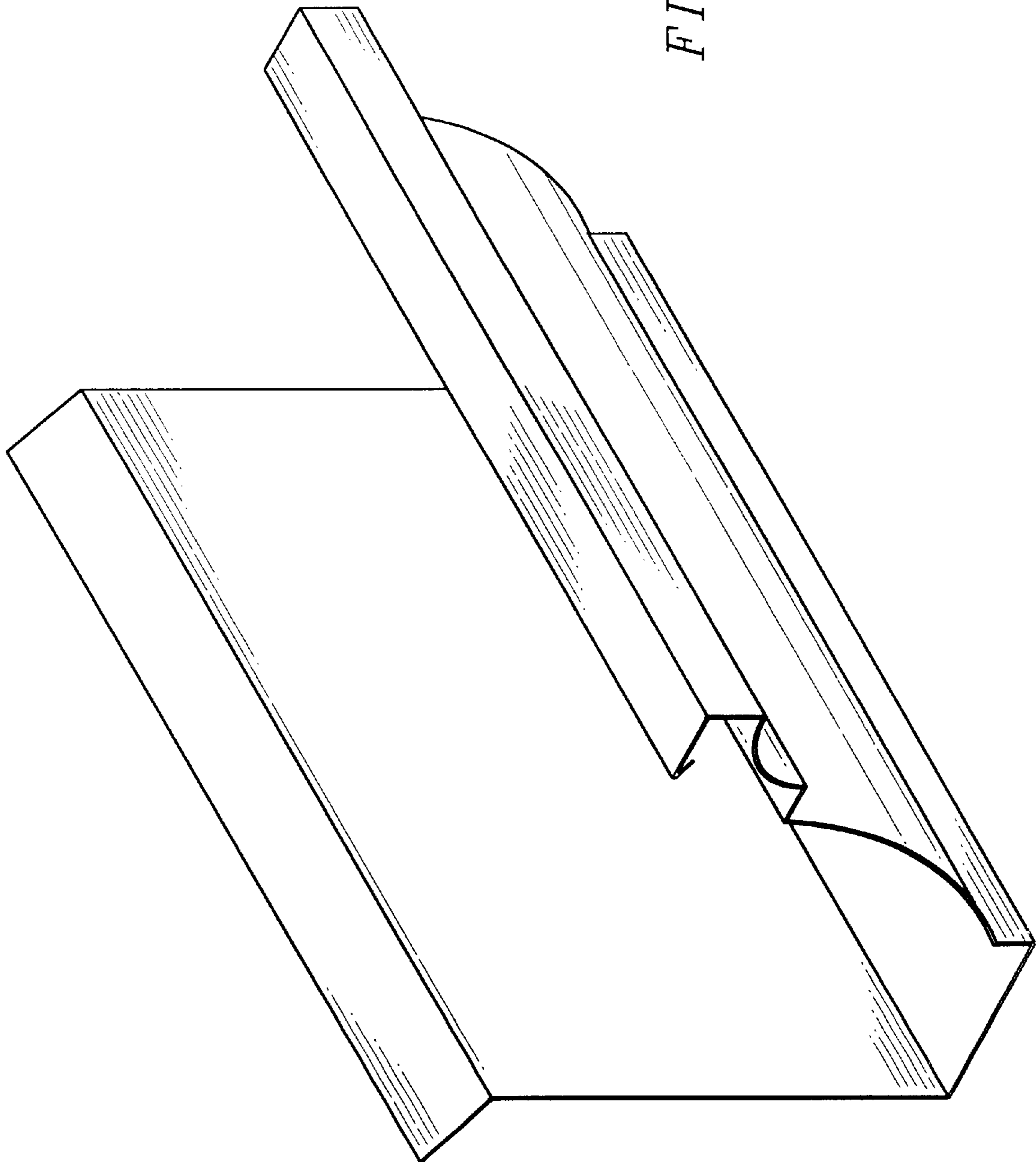


FIG. 1

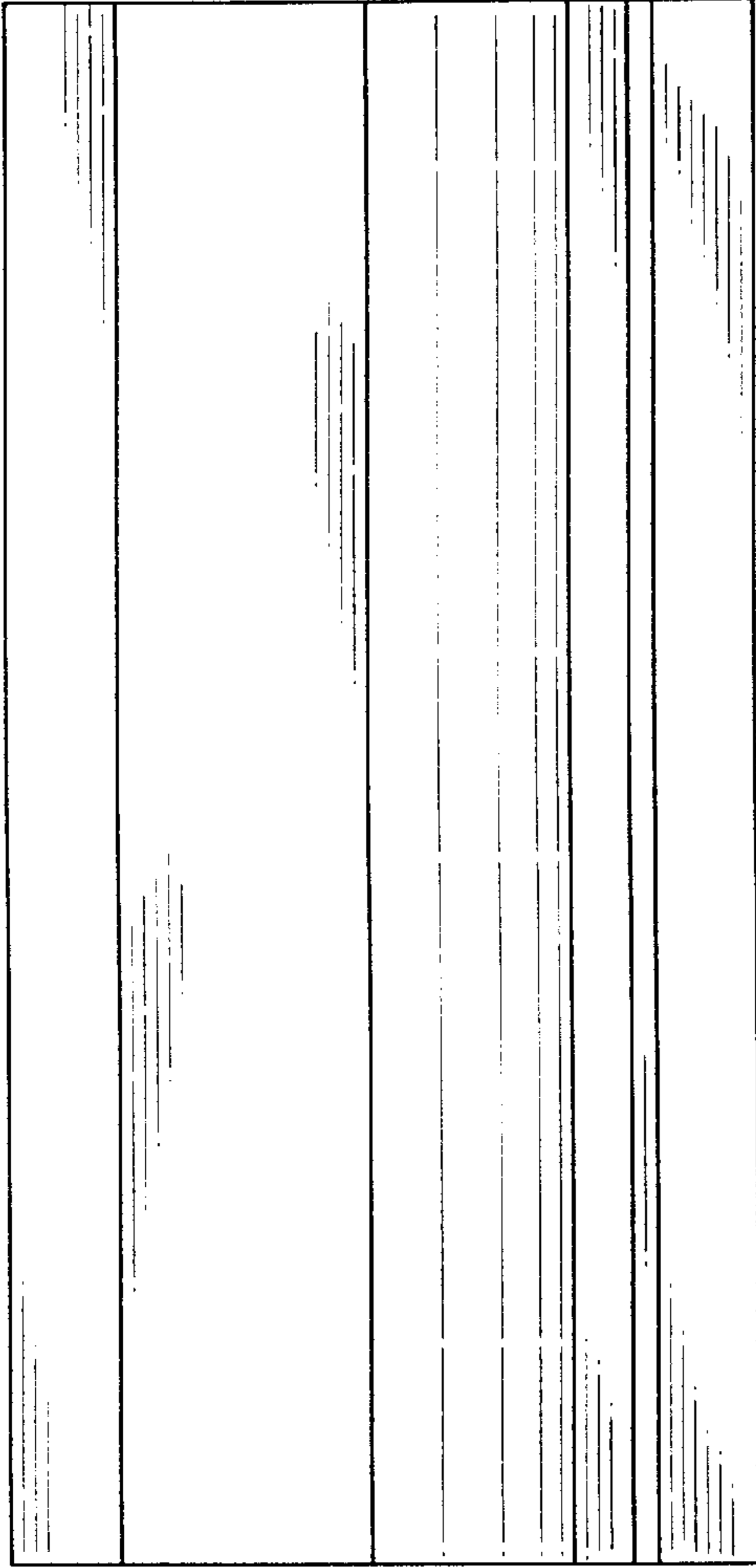


FIG. 4

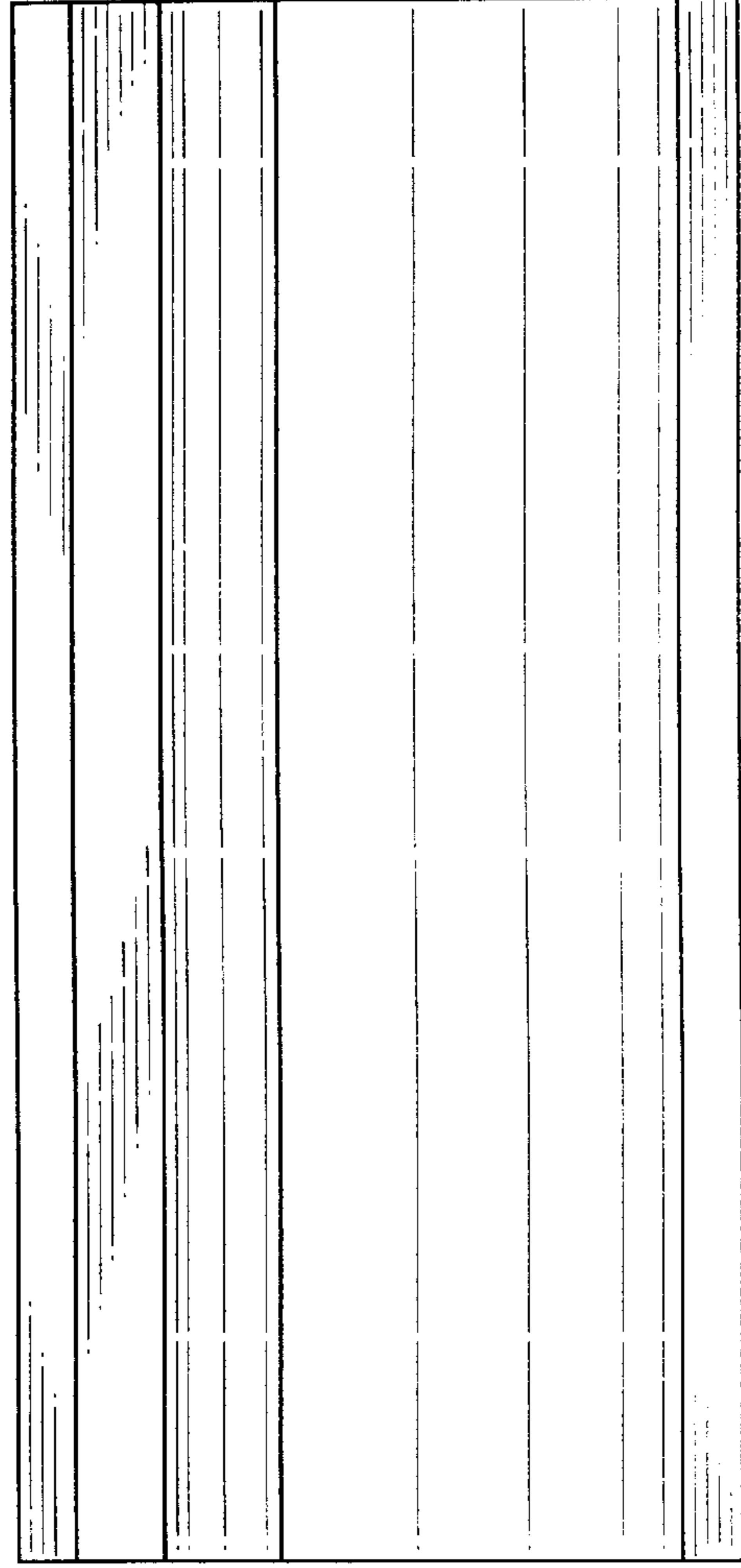


FIG. 3

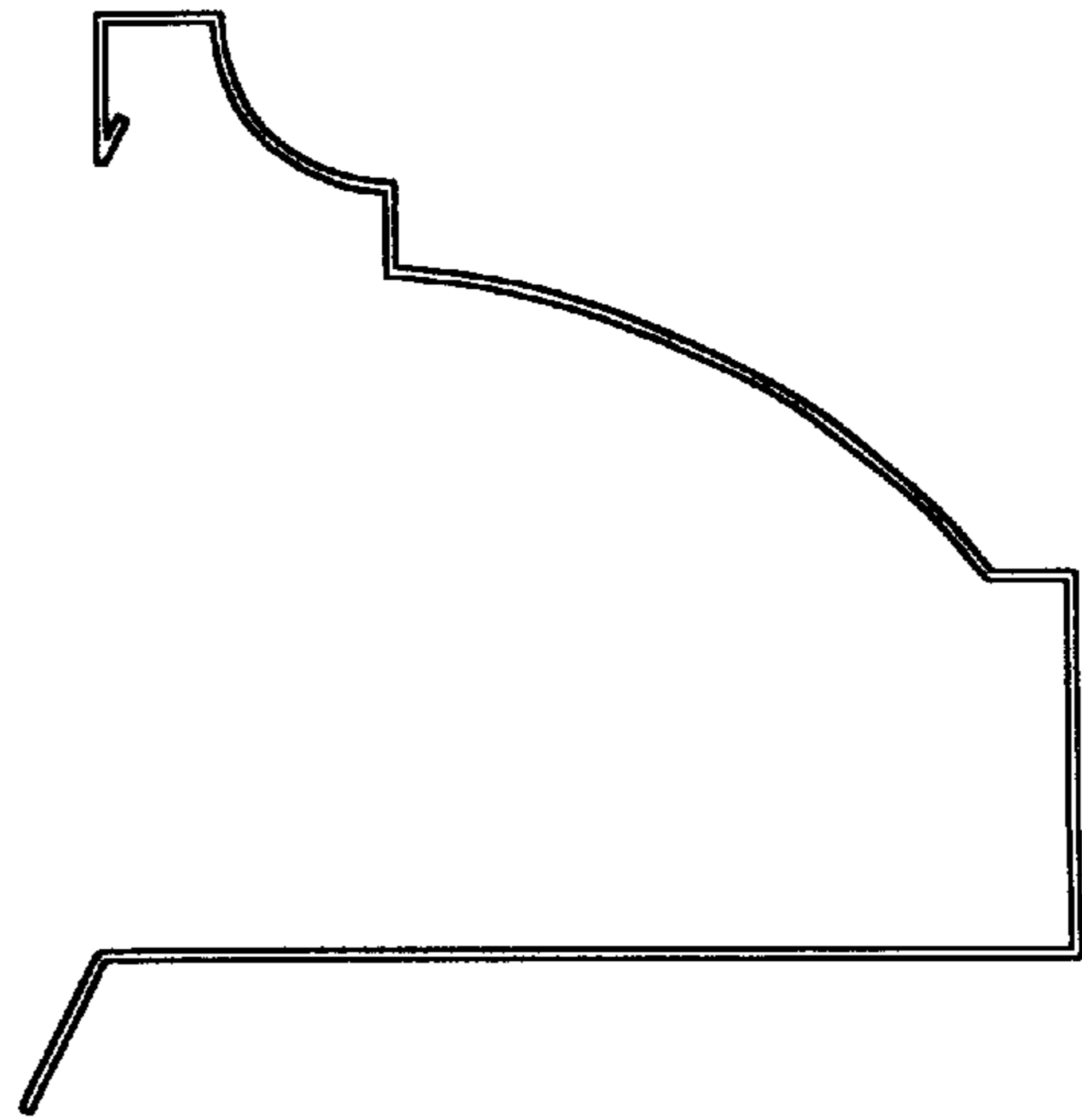


FIG. 2

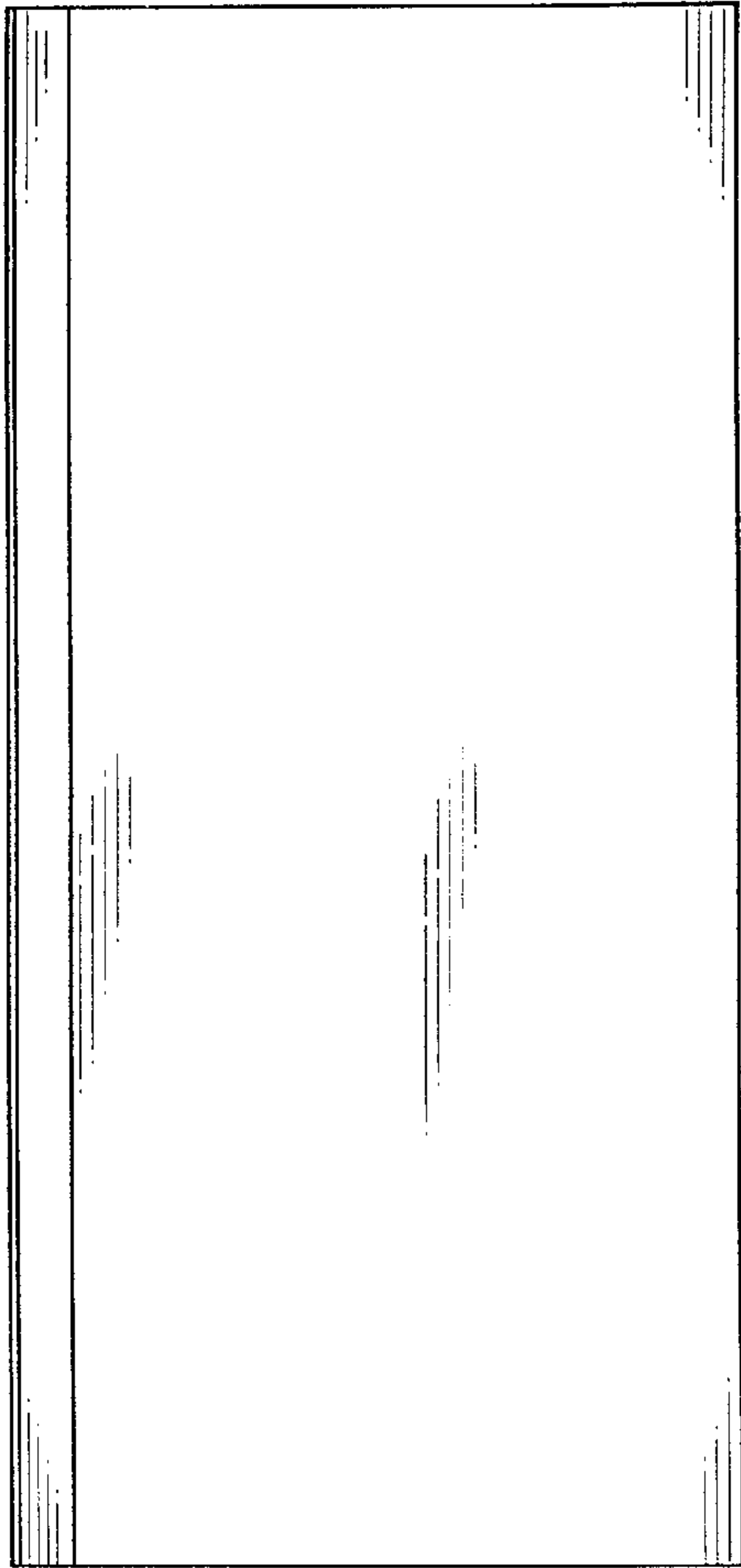


FIG. 6

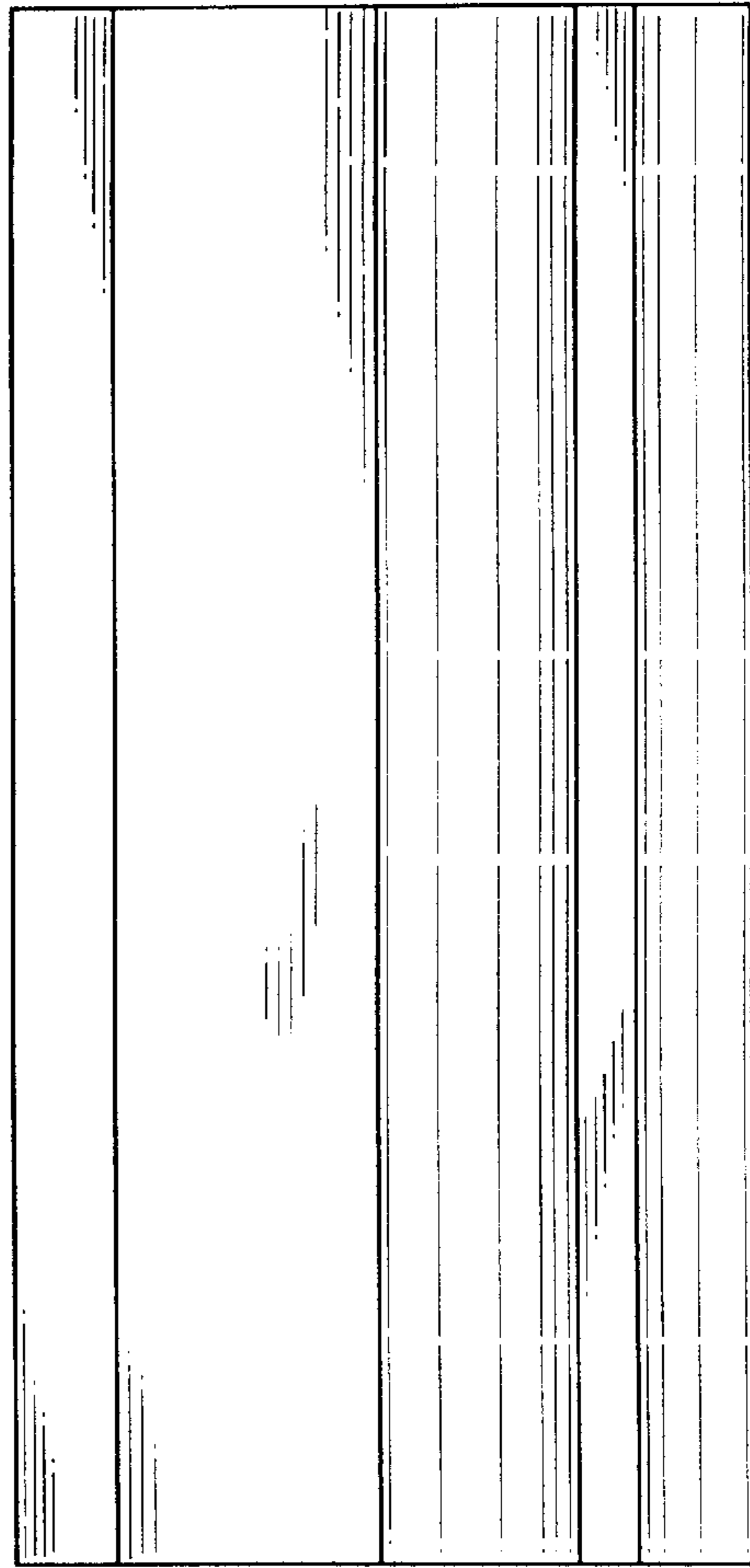


FIG. 7

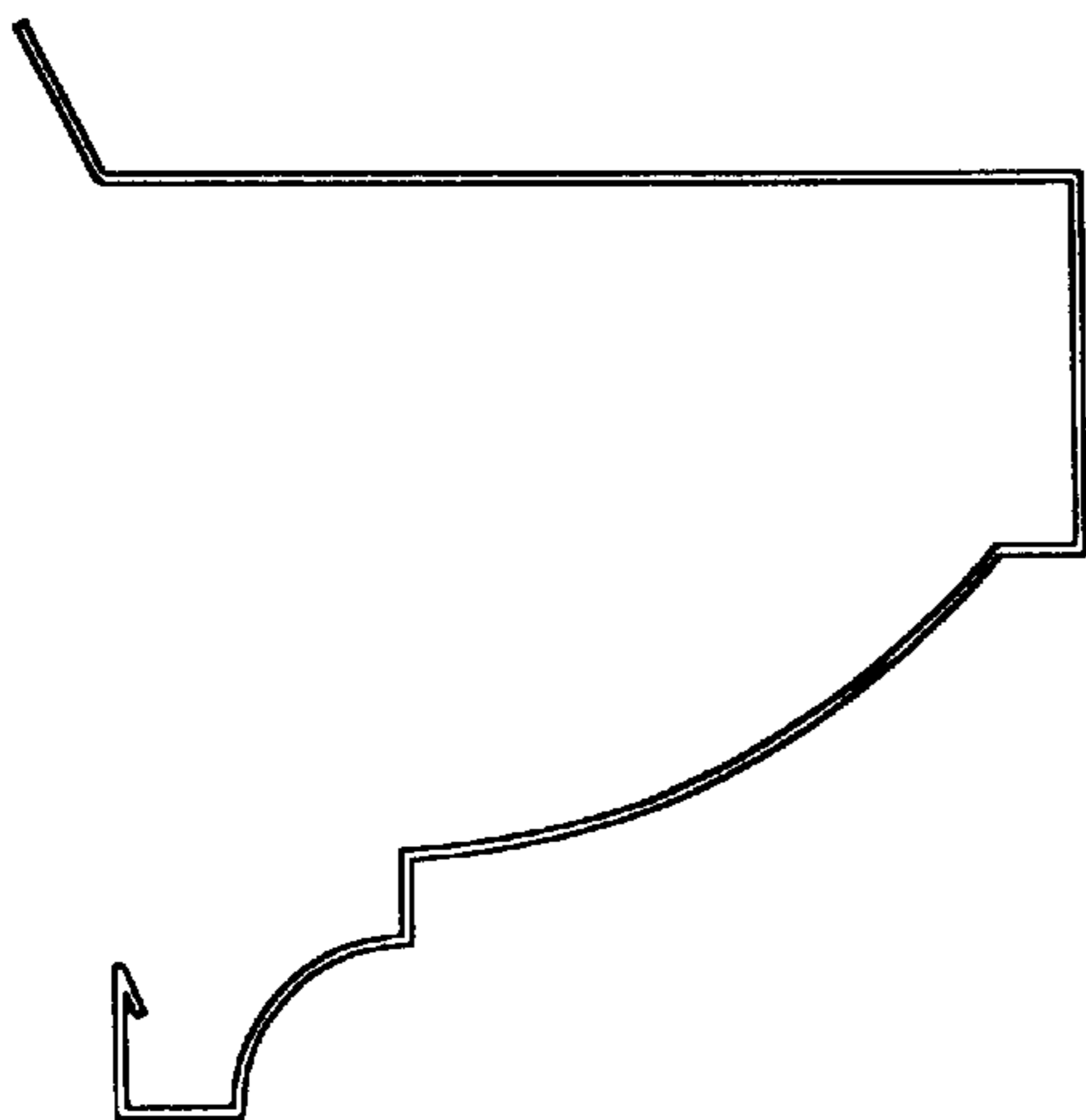


FIG. 5