

US00D454177S

(12) **United States Design Patent**
Tracy

(10) **Patent No.:**

US D454,177 S

(45) **Date of Patent:**

**** Mar. 5, 2002**

(54) **SINK BASKET STRAINER**

(75) Inventor: **Martin Tracy, Whitevale (CA)**

(73) Assignee: **1053729 Ontario Inc. (CA)**

(**) Term: **14 Years**

(21) Appl. No.: **29/139,675**

(22) Filed: **Apr. 5, 2001**

(51) **LOC (7) Cl.** **23-01**

(52) **U.S. Cl.** **D23/261**

(58) **Field of Search** D23/259, 260-262;
4/287, 286, 290-293

(56) **References Cited**

U.S. PATENT DOCUMENTS

3,010,120	A	*	11/1961	Young	4/287
3,711,874	A	*	1/1973	Gajer	4/287
3,800,339	A	*	4/1974	Bergin	4/287
3,982,289	A		9/1976	Robbins		
4,134,162	A		1/1979	Sharland		

D255,705	S	7/1980	Adam
D278,459	S	4/1985	Cook
5,418,983	A	5/1995	Garguillo et al.
5,535,455	A	7/1996	Liu
6,108,828	A	8/2000	Cheng

* cited by examiner

Primary Examiner—Robin V. Taylor

(74) *Attorney, Agent, or Firm*—Merek & Voorhees

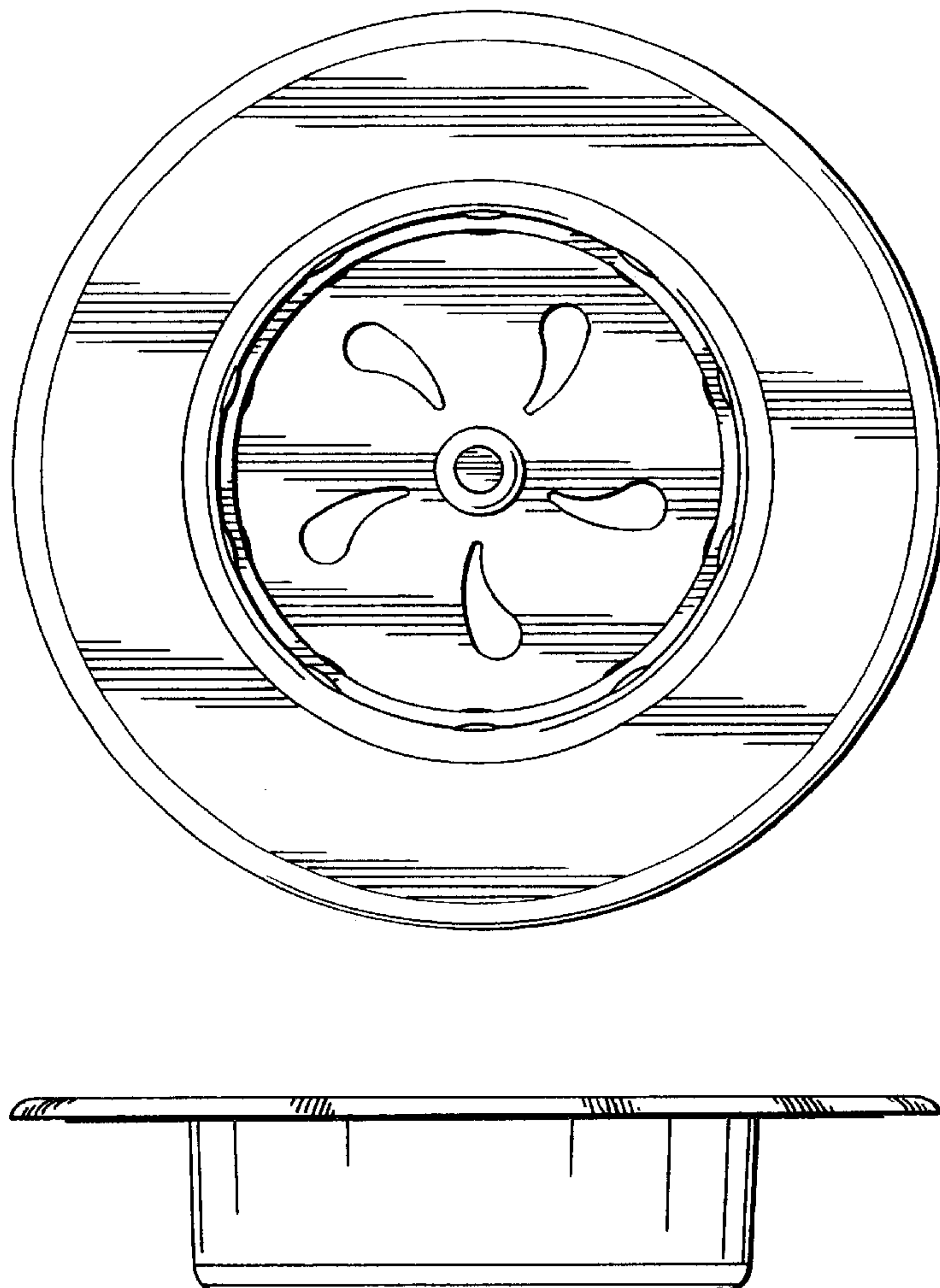
(57) **CLAIM**

The ornamental design for a sink basket strainer, as shown and described.

DESCRIPTION

FIG. 1 is a top plan view of the sink basket strainer showing my new design;
FIG. 2 is a side elevational view thereof;
FIG. 3 is an upper side perspective view thereof,
FIG. 4 is a bottom view thereof; and,
FIG. 5 is a top plan view of the sink basket strainer wherein the plug portion is in a closed configuration.

1 Claim, 3 Drawing Sheets



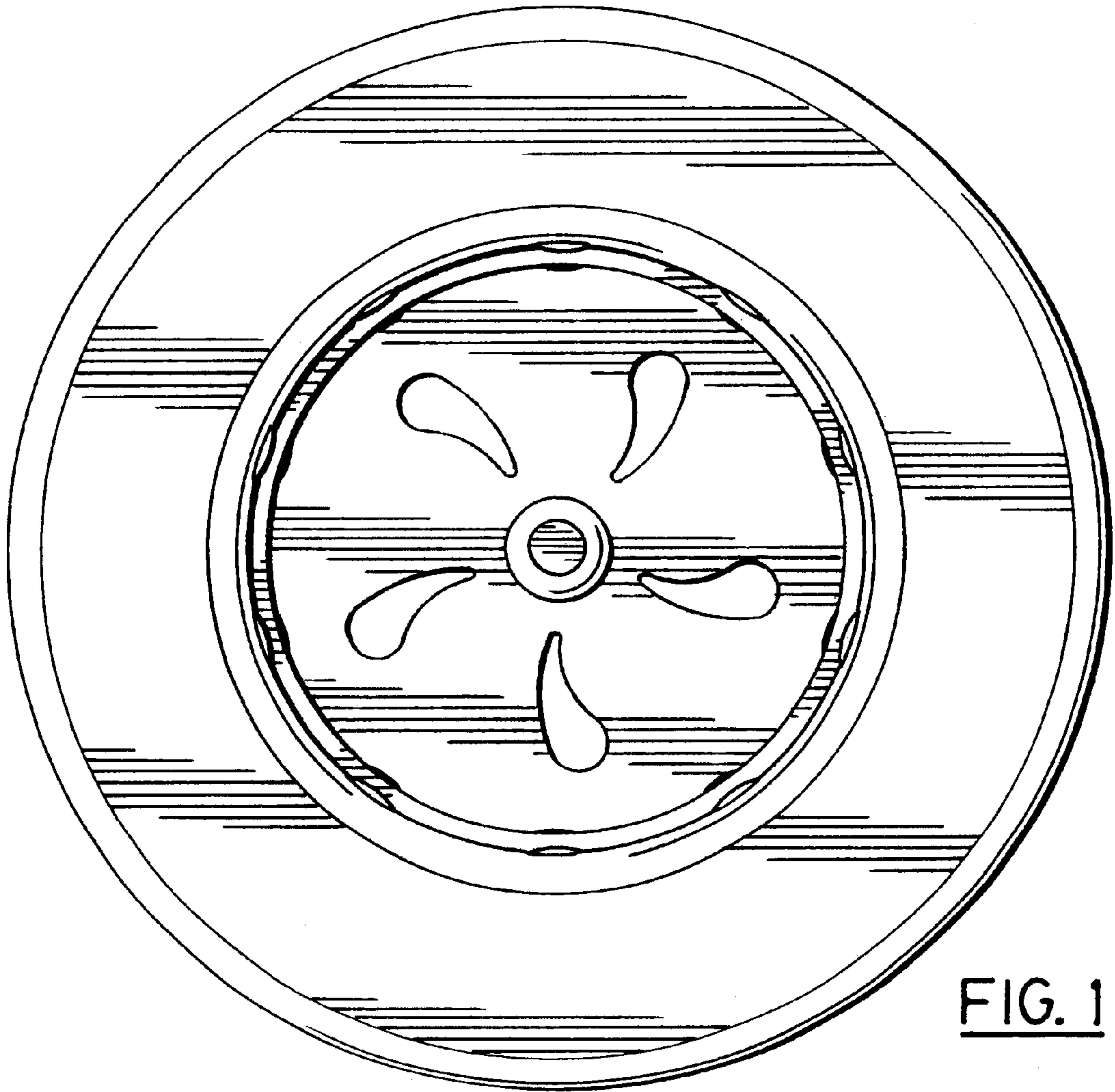


FIG. 1

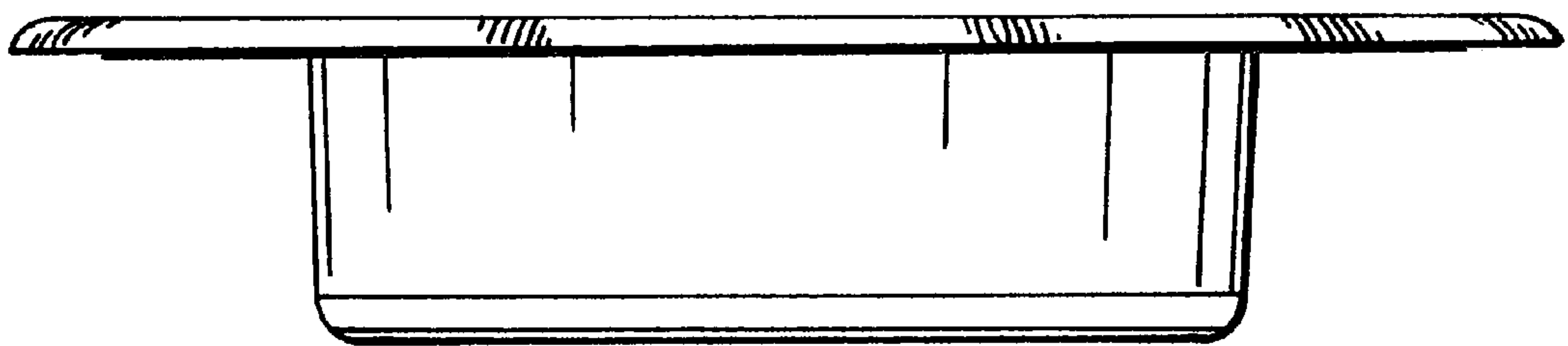


FIG. 2

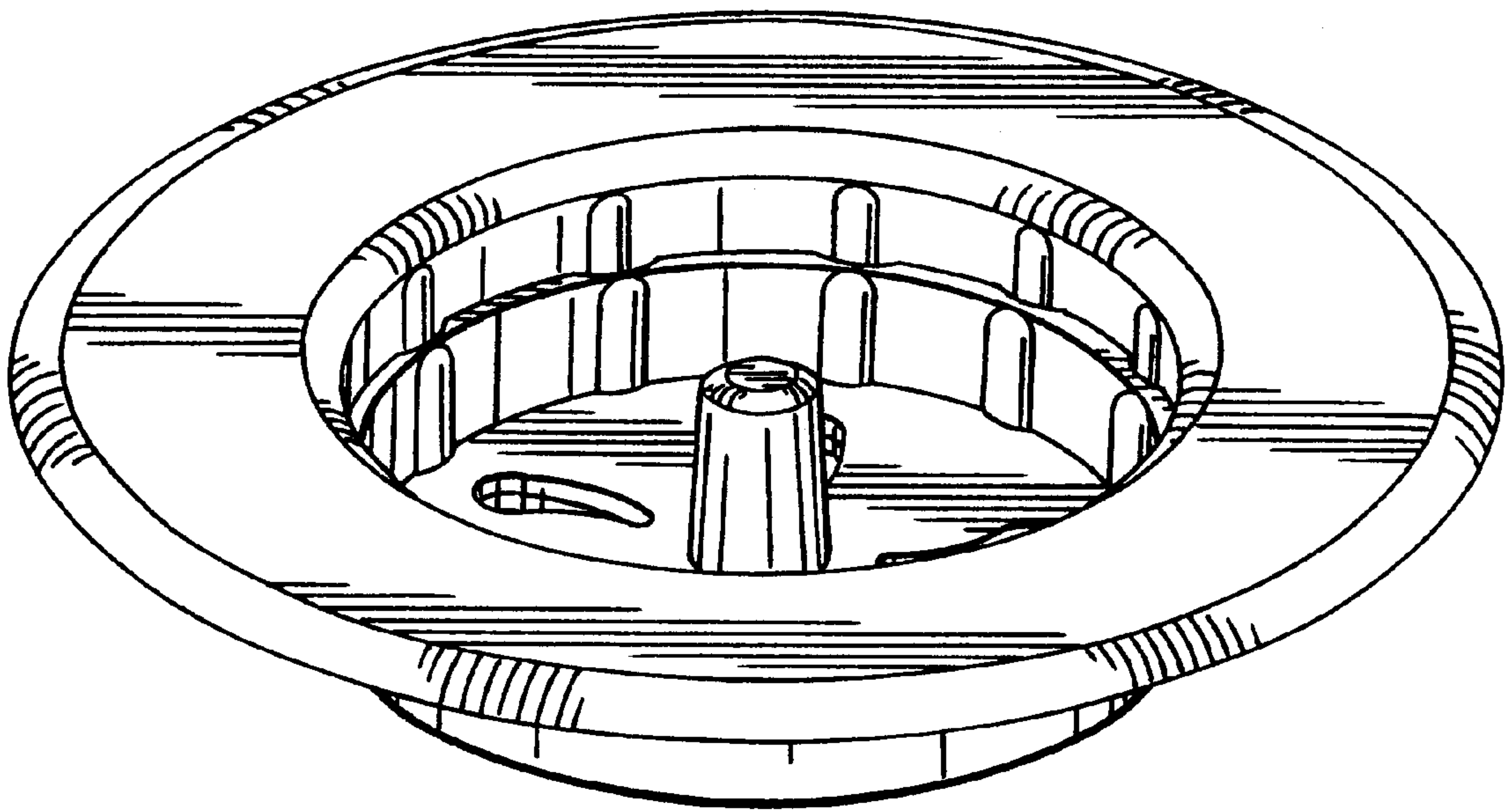


FIG. 3

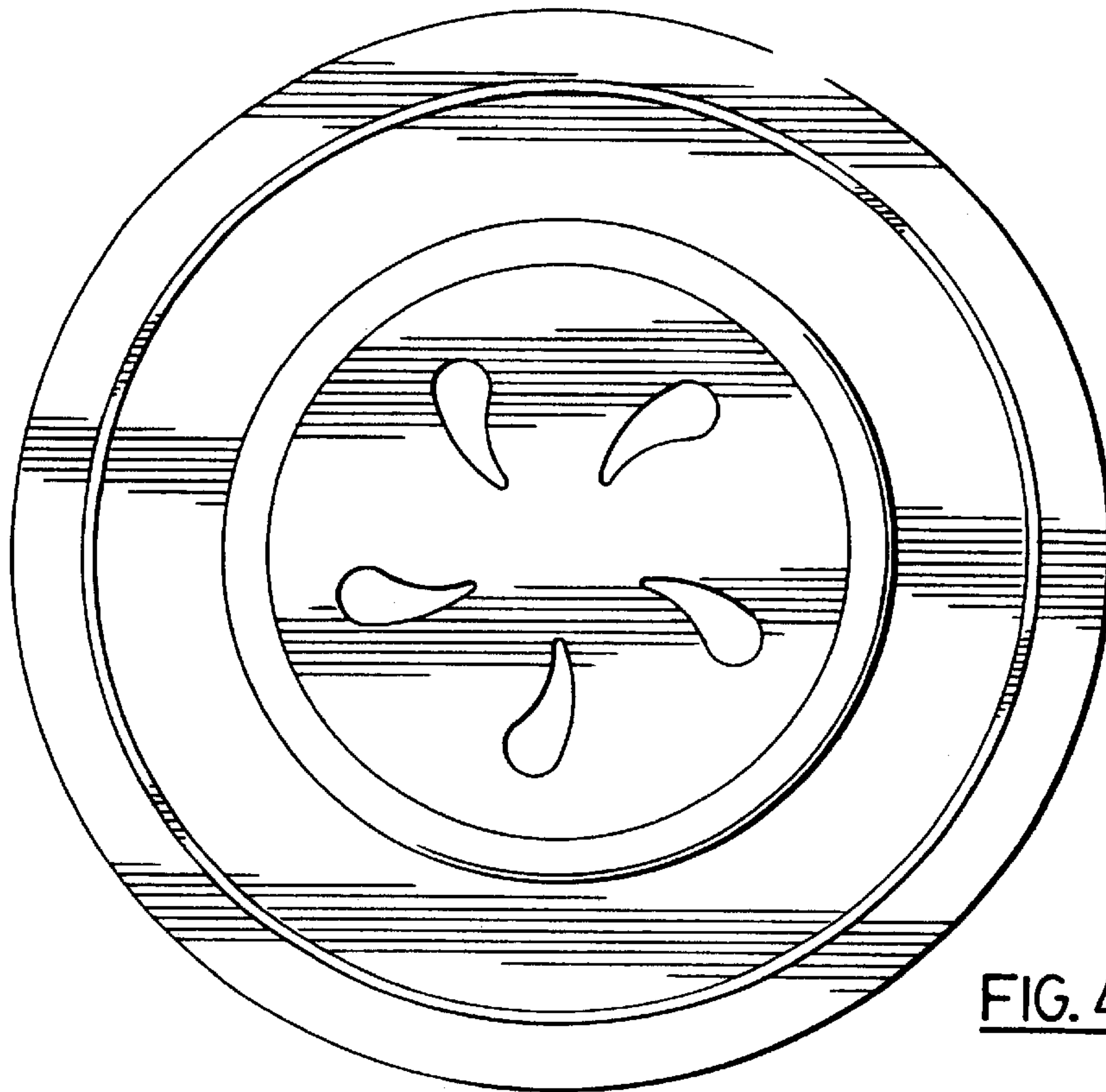


FIG. 4

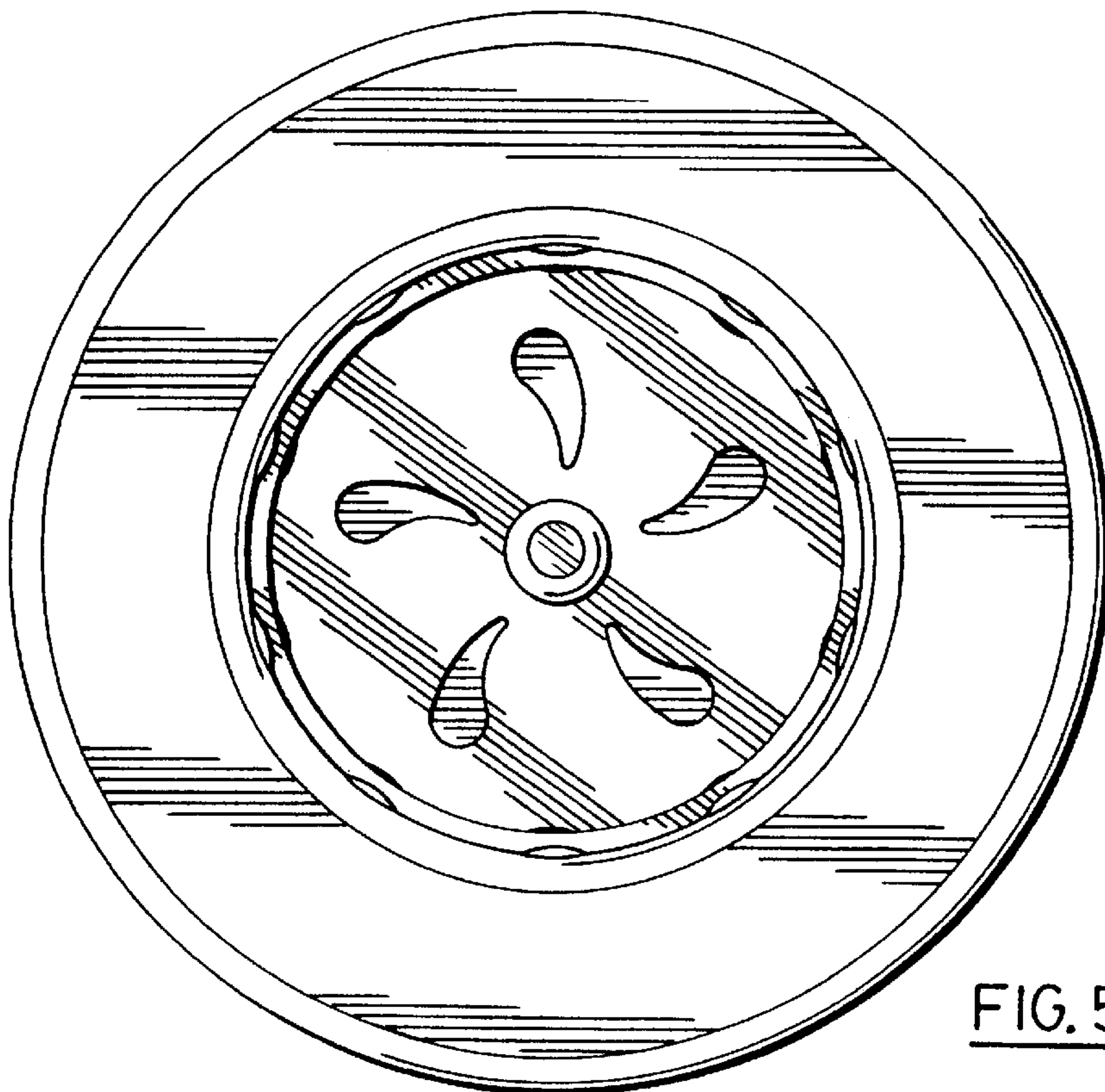


FIG. 5