



US00D454176S

(12) **United States Design Patent**
Lord

(10) **Patent No.:** **US D454,176 S**

(45) **Date of Patent:** **** Mar. 5, 2002**

(54) **TEMPERATURE CONTROL HANDLE FOR SHOWER**

D321,468 S * 11/1991 Reid D8/352

* cited by examiner

(75) Inventor: **Judd A. Lord**, Carmel, IN (US)

Primary Examiner—Louis S. Zarfes

Assistant Examiner—Gregory Andoll

(73) Assignee: **Masco Corporation of Indiana**, Indianapolis, IN (US)

(74) *Attorney, Agent, or Firm*—Myron B. Kapustij; Lloyd D. Doigan

(**) Term: **14 Years**

(57) **CLAIM**

(21) Appl. No.: **29/136,767**

The ornamental design for a temperature control handle for shower, as shown and described.

(22) Filed: **Feb. 7, 2001**

DESCRIPTION

(51) **LOC (7) Cl.** **23-01**

(52) **U.S. Cl.** **D23/254; D23/249; D23/250**

(58) **Field of Search** D23/238–243, D23/249–254; D8/300–312, 350–353, DIG. 2; 4/675–678; 16/110 R; 137/801

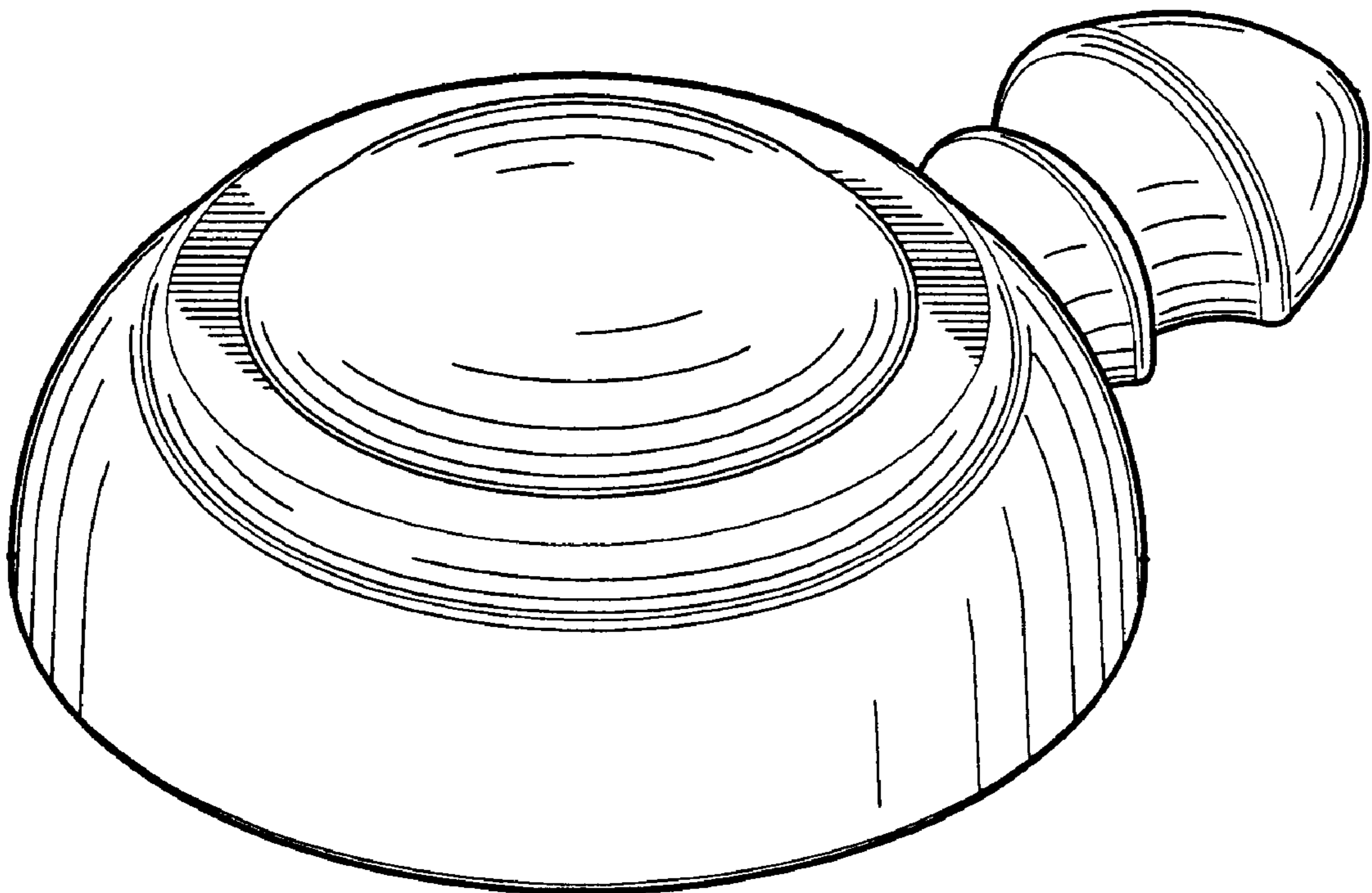
FIG. 1 is a front left perspective view of the temperature control handle for shower showing my new design; FIG. 2 is a front right perspective view thereof; FIG. 3 is a top elevational view thereof; FIG. 4 is a right side elevational view thereof; FIG. 5 is a left side elevational view thereof; FIG. 6 is a front plan view thereof, the rear being a mirror image; and, FIG. 7 is a bottom elevational view thereof.

(56) **References Cited**

U.S. PATENT DOCUMENTS

- D80,664 S * 3/1930 Moore et al. D8/307
- D193,756 S * 10/1962 Parker D23/254
- D263,989 S * 4/1982 Fleischmann et al. D23/254

1 Claim, 4 Drawing Sheets



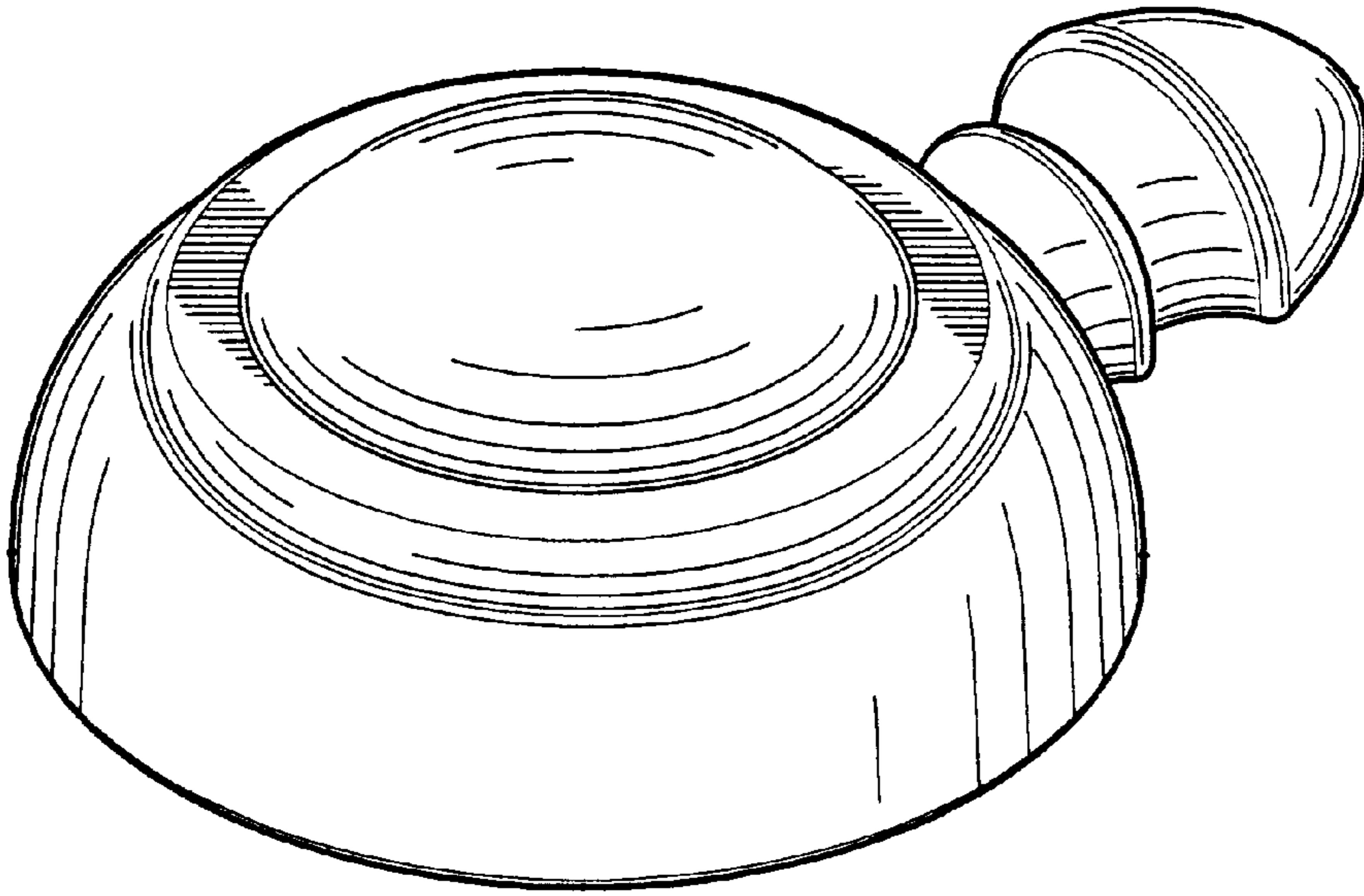


Figure - 1

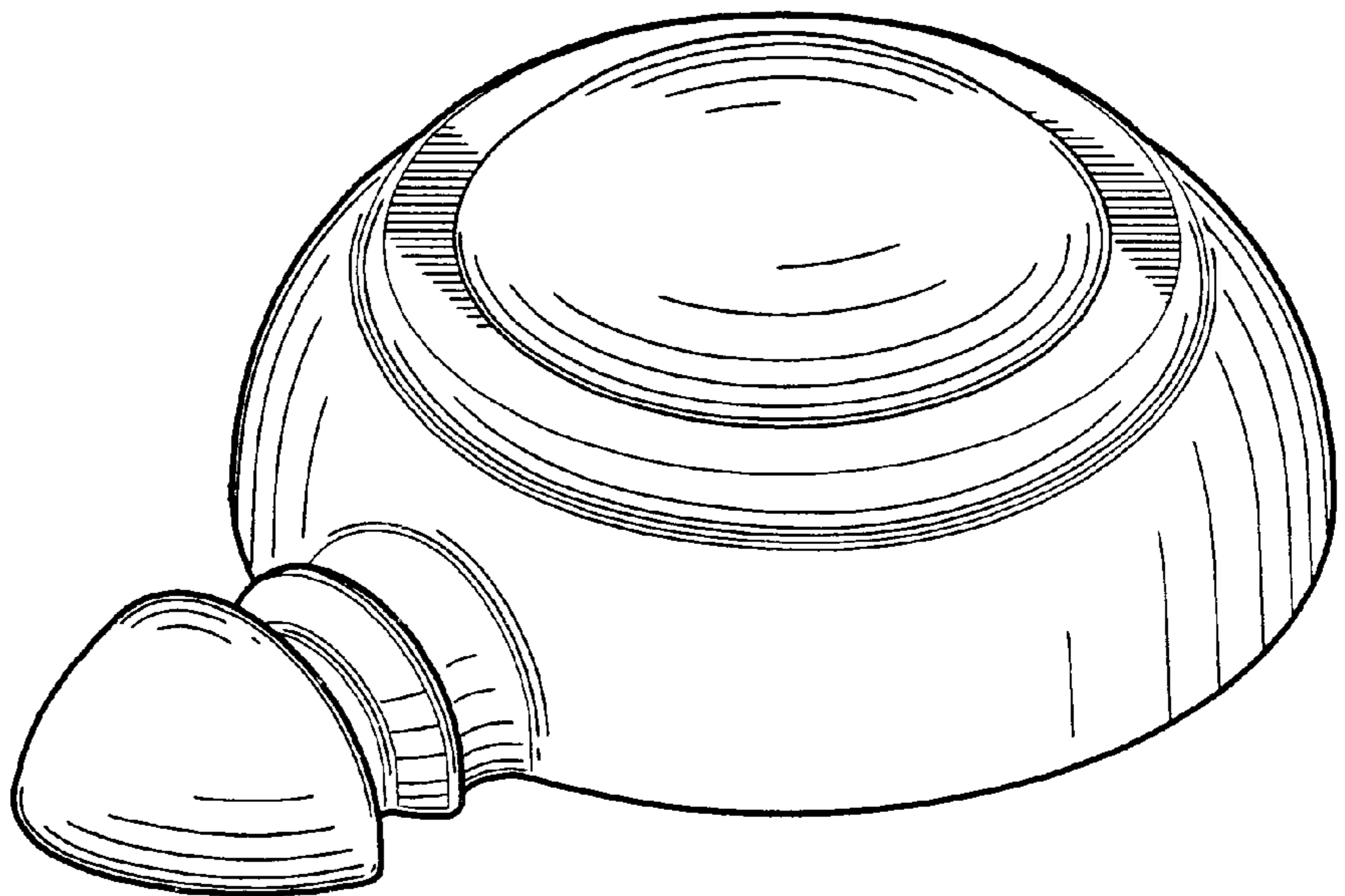


Figure - 2

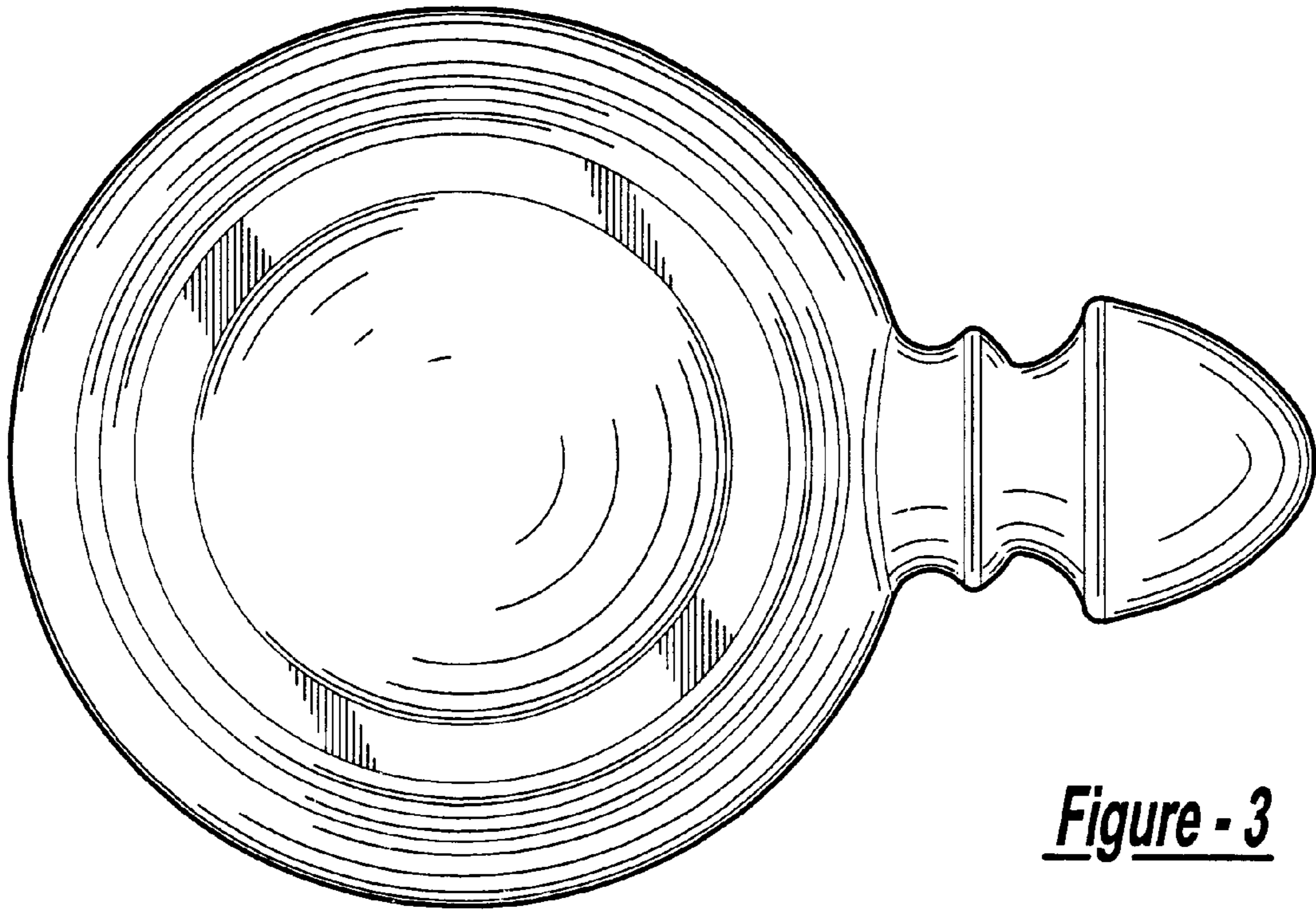


Figure - 3

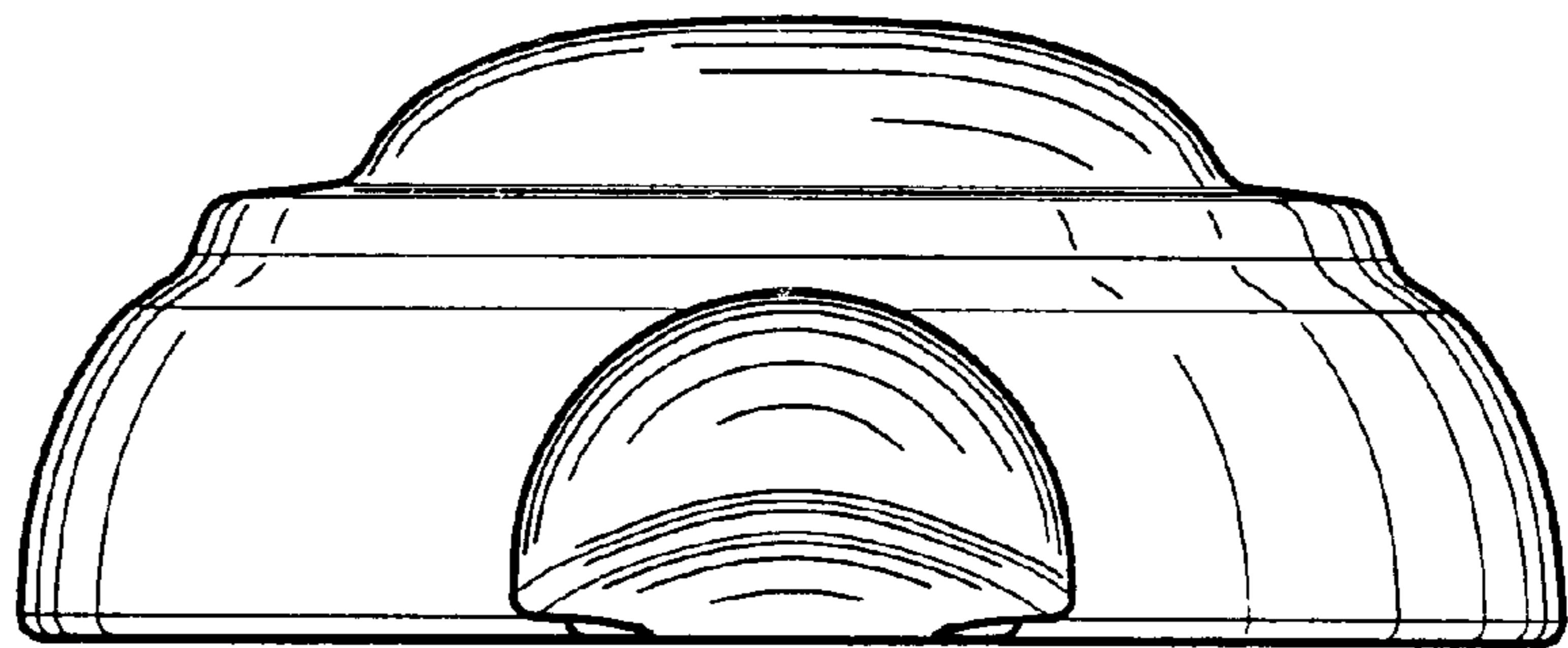


Figure - 4

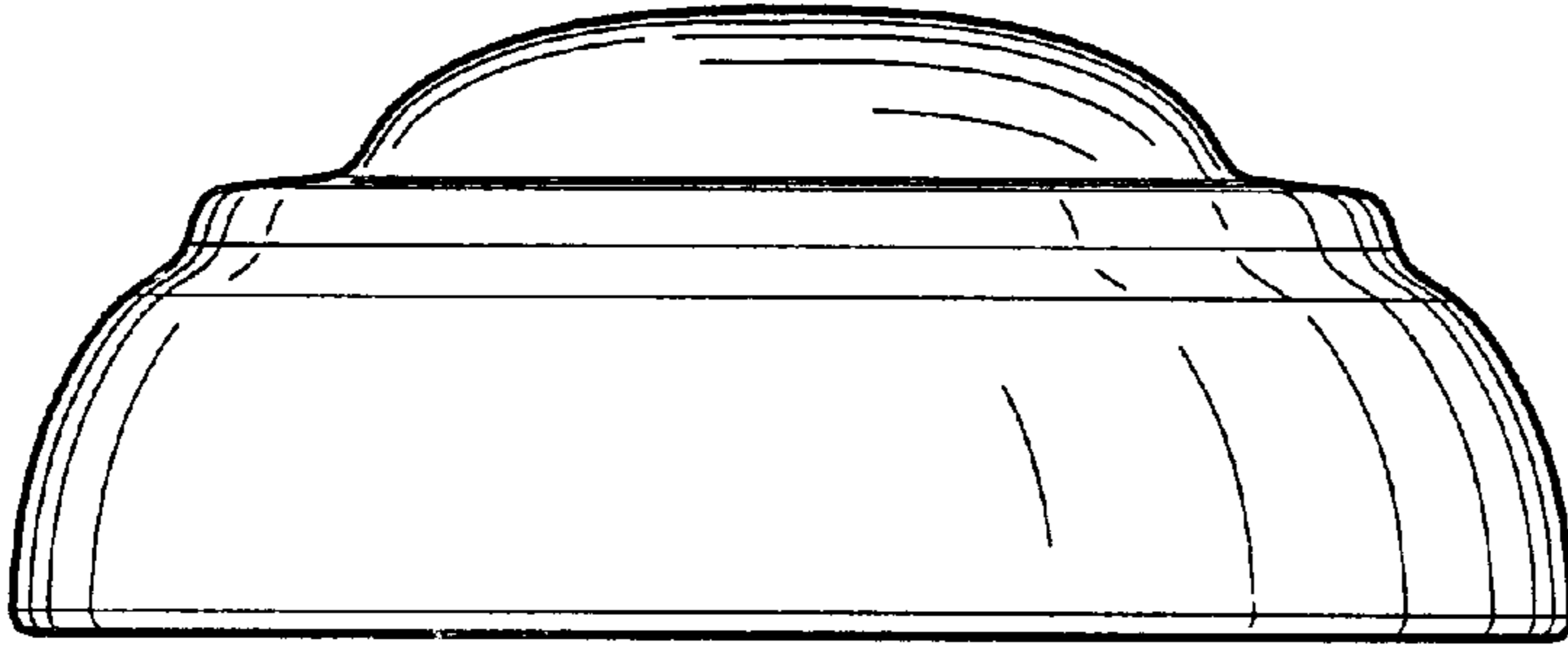


Figure - 5

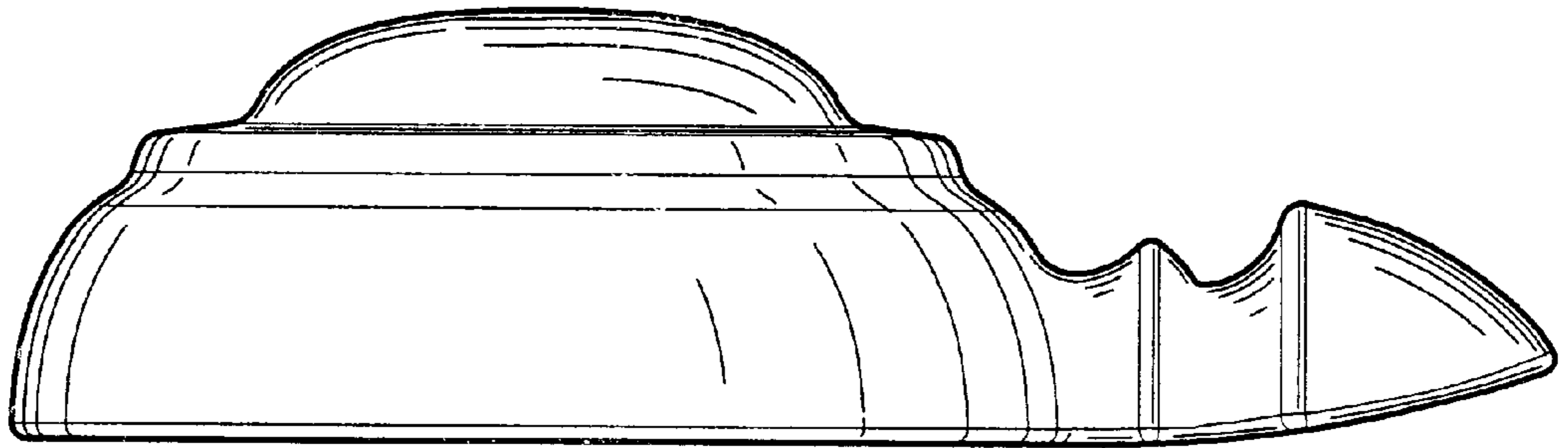


Figure - 6

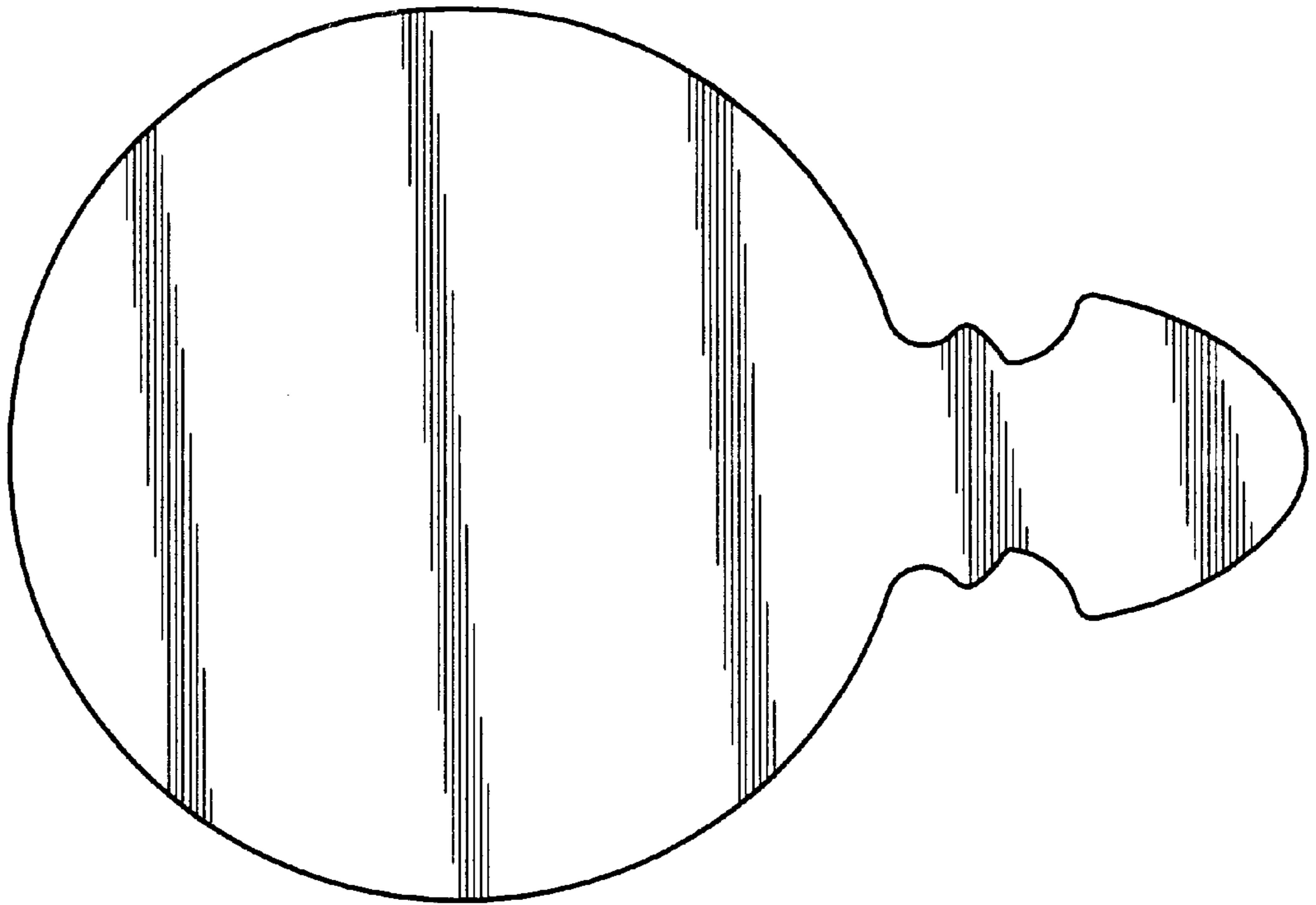


Figure - 7