



US00D454174S

(12) **United States Design Patent**
Taylor

(10) **Patent No.:** **US D454,174 S**

(45) **Date of Patent:** **** *Mar. 5, 2002**

(54) **BODY SPRAY**

(75) **Inventor:** **Curtis Taylor**, Moreland Hills, OH
(US)

(73) **Assignee:** **Alsons Corporation**, Hillsdale, MI
(US)

(*) **Notice:** This patent is subject to a terminal disclaimer.

(**) **Term:** **14 Years**

(21) **Appl. No.:** **29/130,635**

(22) **Filed:** **Oct. 5, 2000**

(51) **LOC (7) Cl.** **23-01**

(52) **U.S. Cl.** **D23/229**

(58) **Field of Search** D23/213, 214,
D23/223, 229-230; 239/394, 462, 459

(56) **References Cited**

U.S. PATENT DOCUMENTS

D231,928 S * 6/1974 Nelson D23/213
D261,417 S * 10/1981 Klose D23/229

D334,046 S * 3/1993 Klose D23/213
D351,212 S * 10/1994 Warshawsky D23/213
D427,661 S * 7/2000 Haverstraw et al. D23/229
D436,394 S * 1/2001 Fleischmann D23/213

* cited by examiner

Primary Examiner—Robin V. Taylor

(74) *Attorney, Agent, or Firm*—Myron B. Kapustij; Lloyd D. Doigan

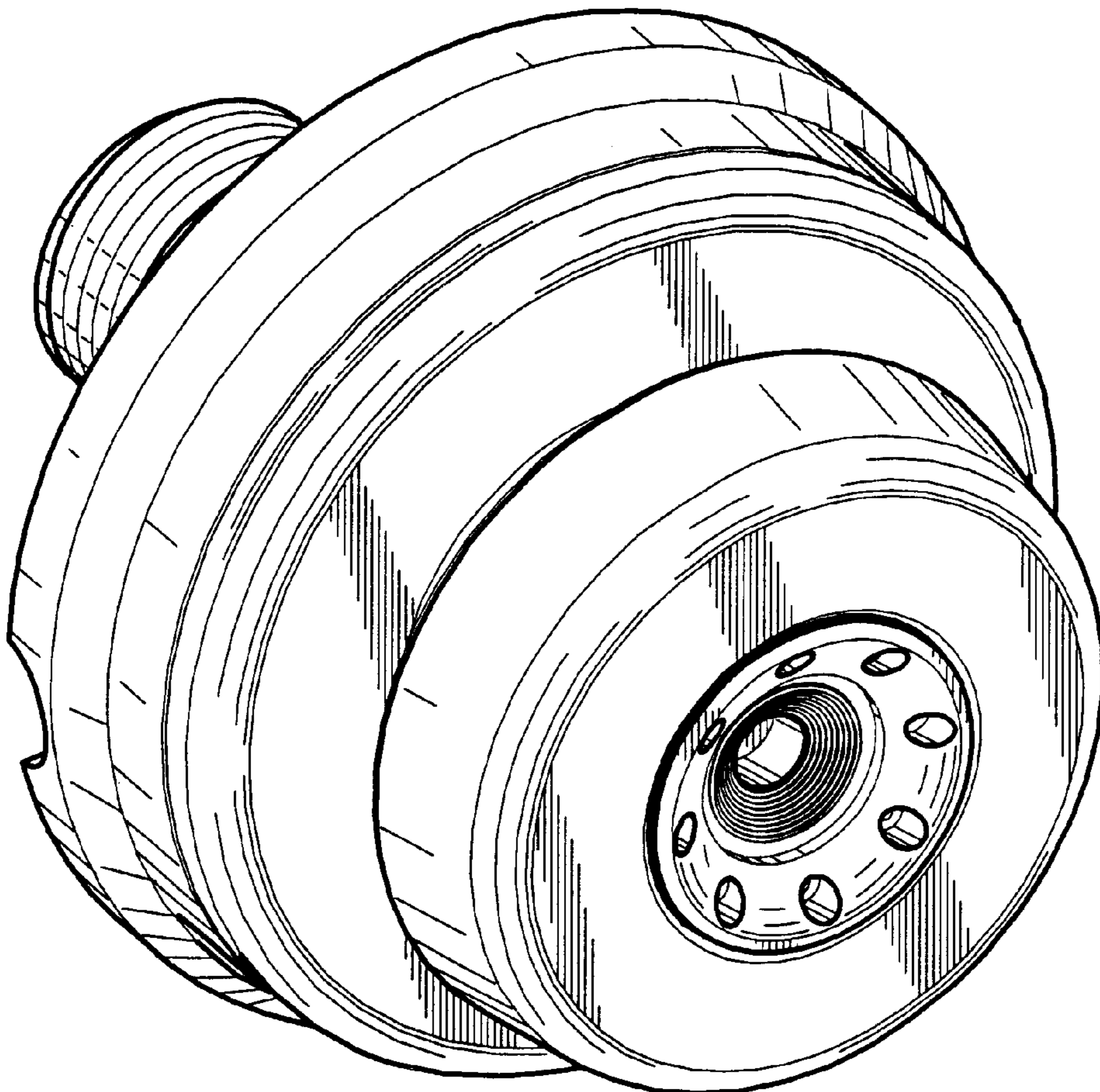
(57) **CLAIM**

The ornamental design for a body spray, as shown and described.

DESCRIPTION

FIG. 1 is a front perspective view of the body spray showing my new design;
FIG. 2 is a rear elevational view thereof;
FIG. 3 is a front elevational view thereof;
FIG. 4 is a bottom plan view thereof;
FIG. 5 is a left side elevational view thereof;
FIG. 6 is a right side elevational view thereof; and,
FIG. 7 is a top plan view thereof.

1 Claim, 4 Drawing Sheets



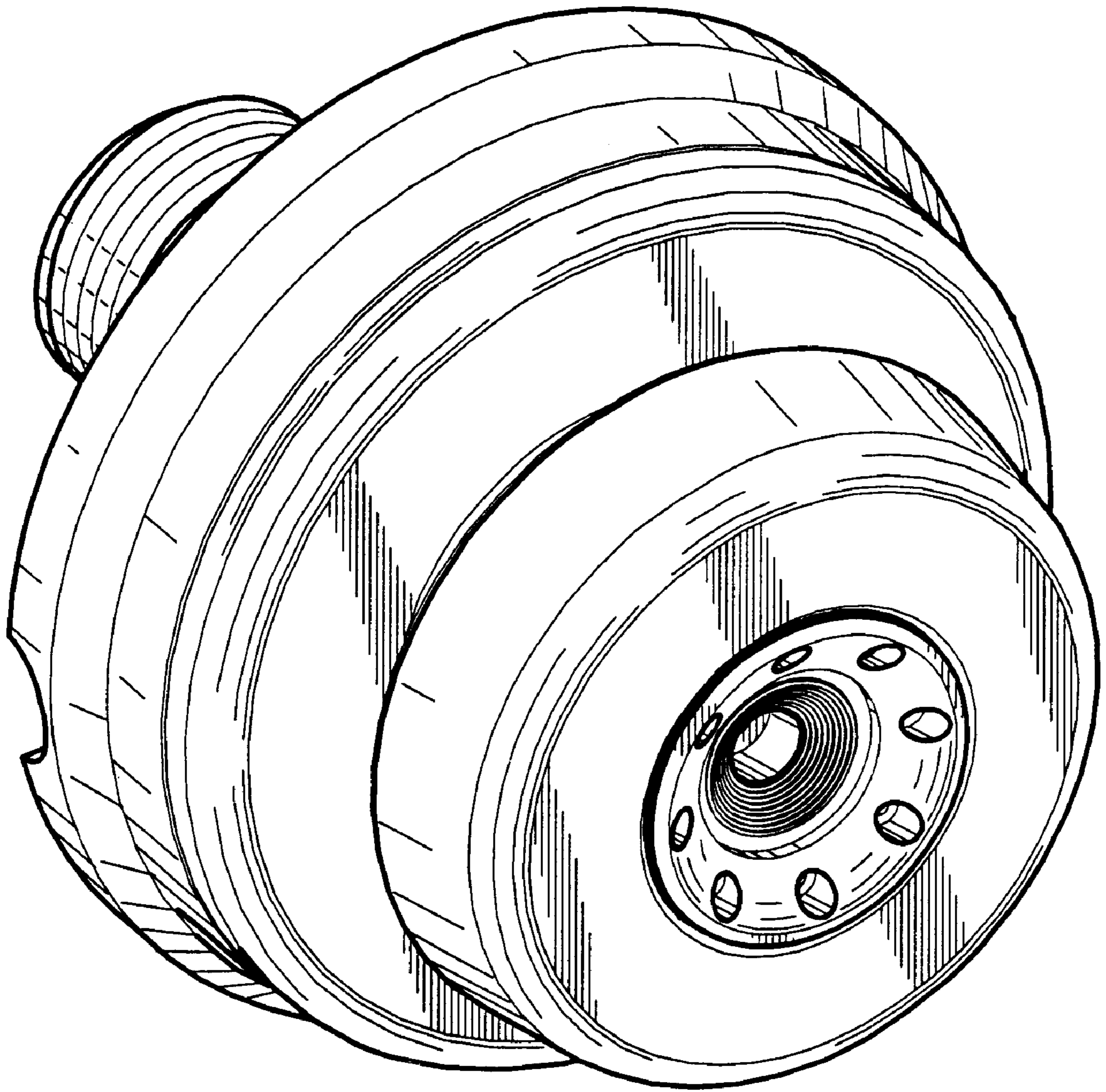


Figure - 1

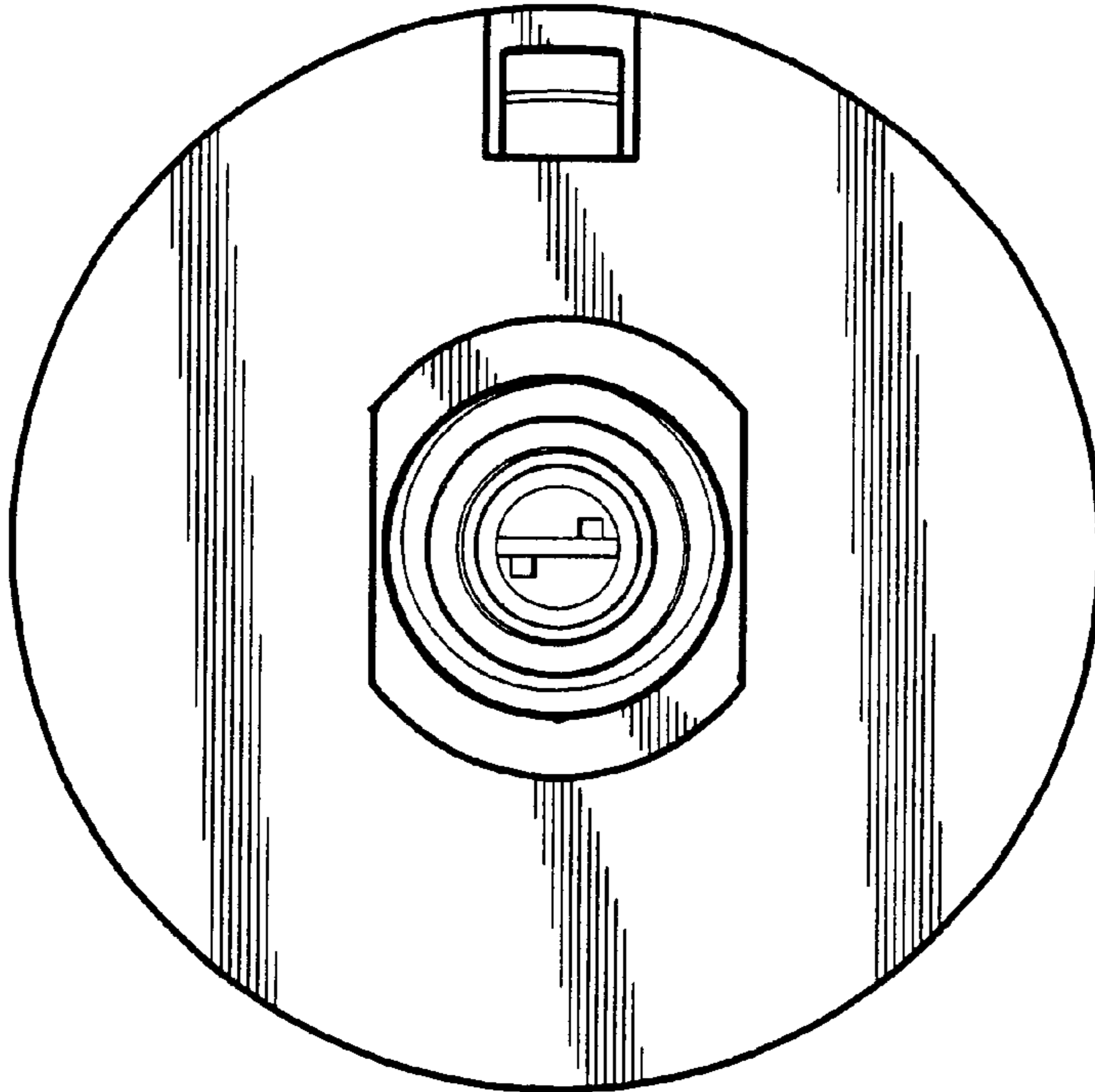


Figure - 2

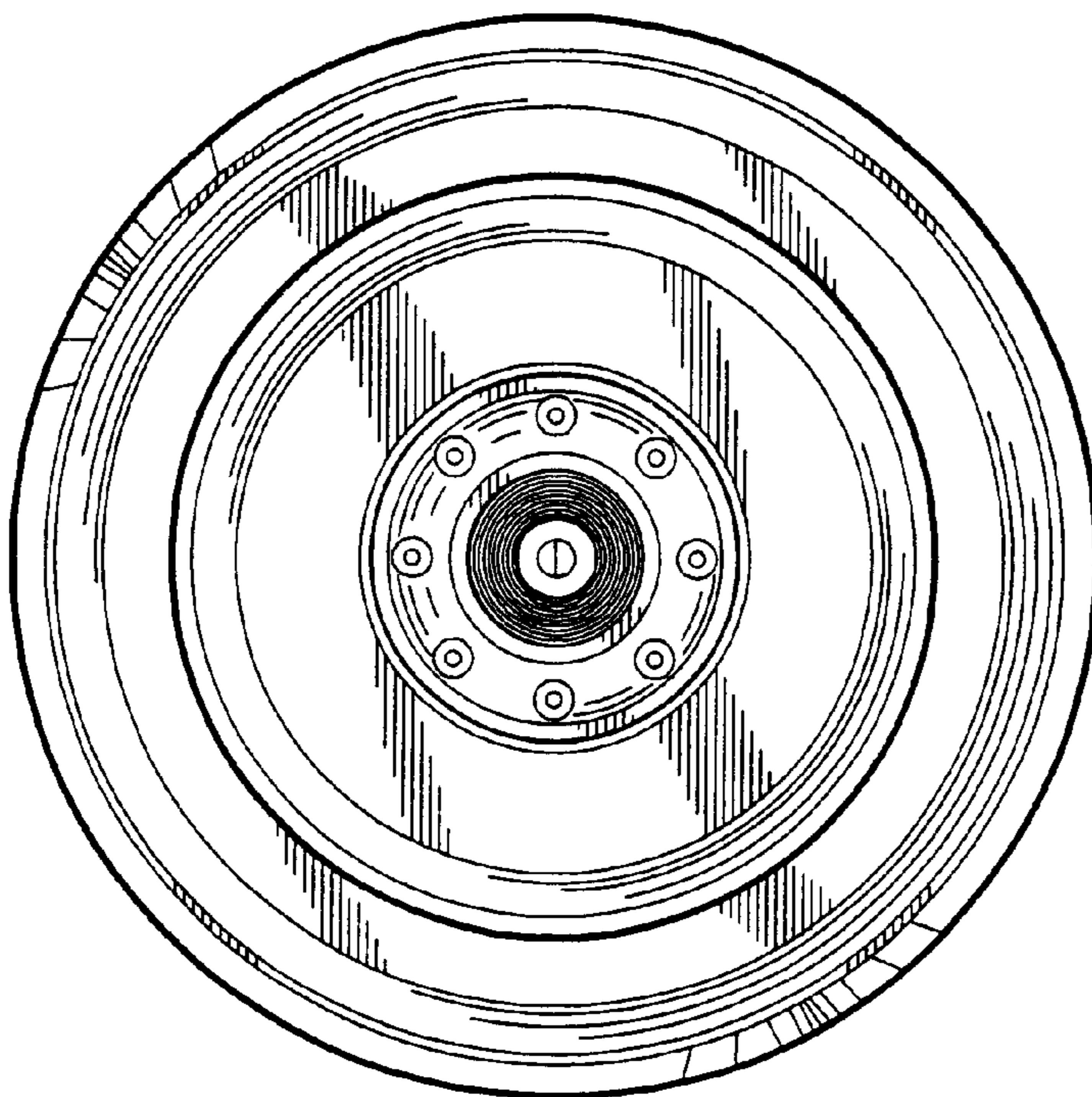


Figure - 3

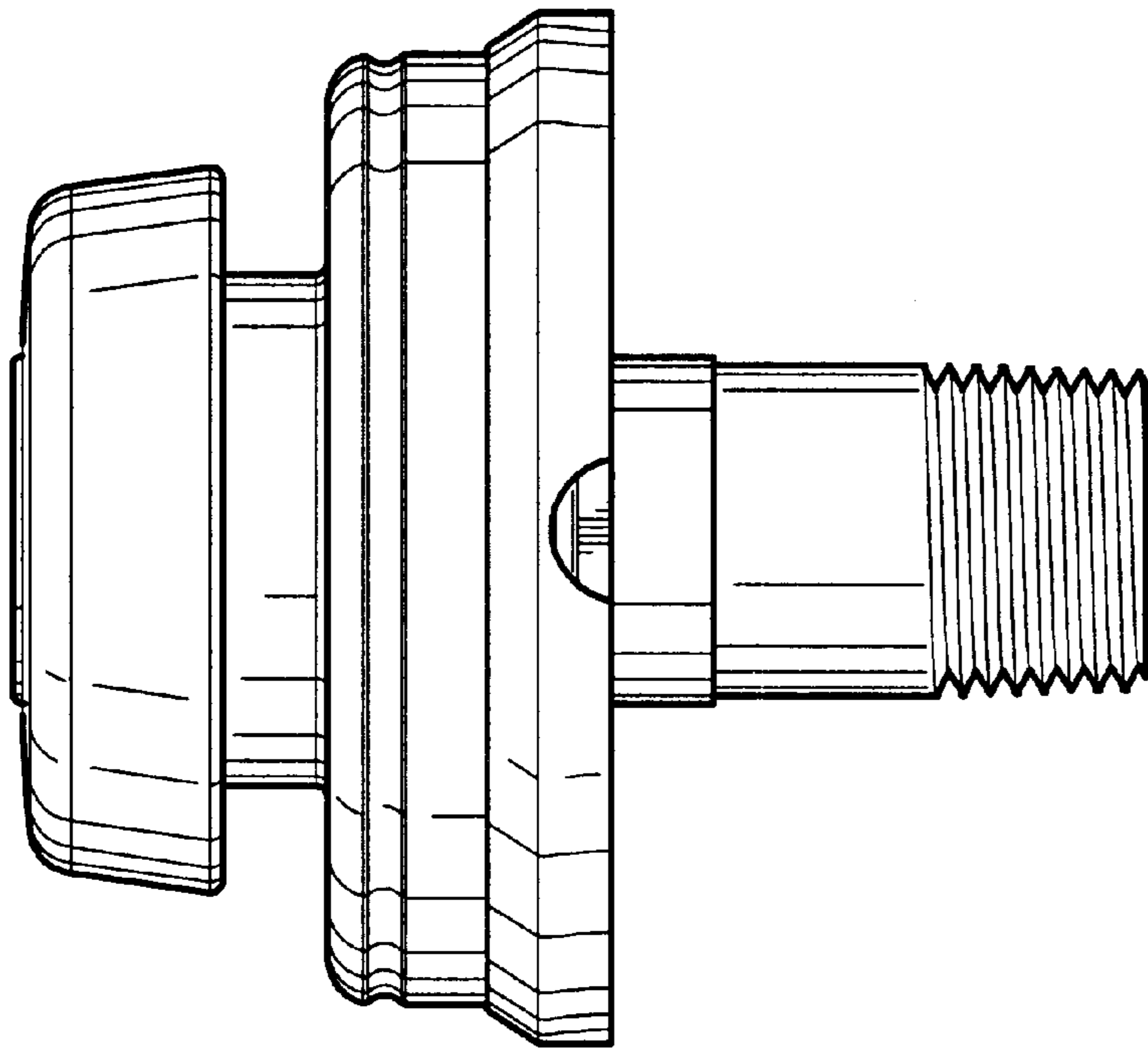


Figure - 4

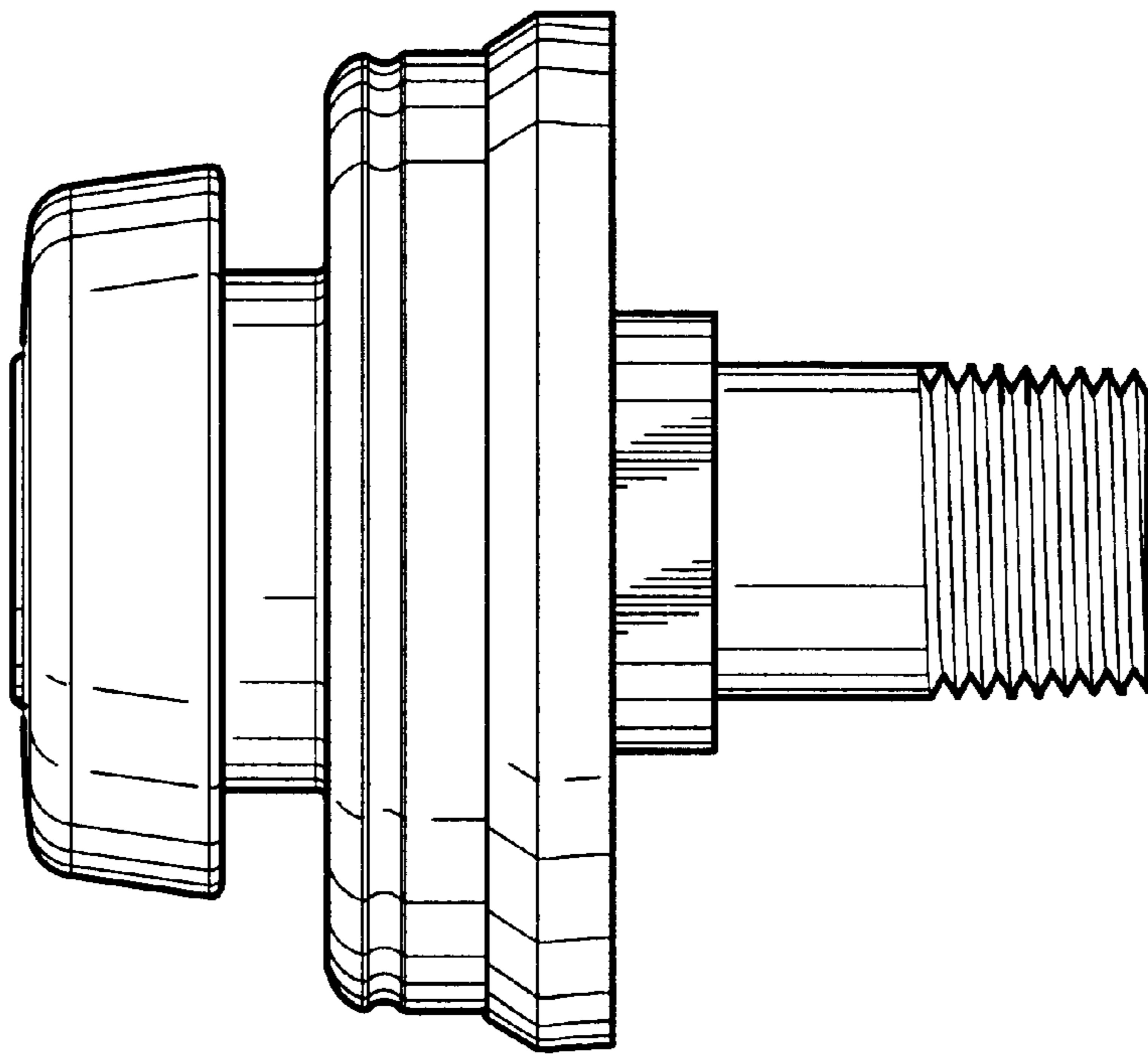


Figure - 5

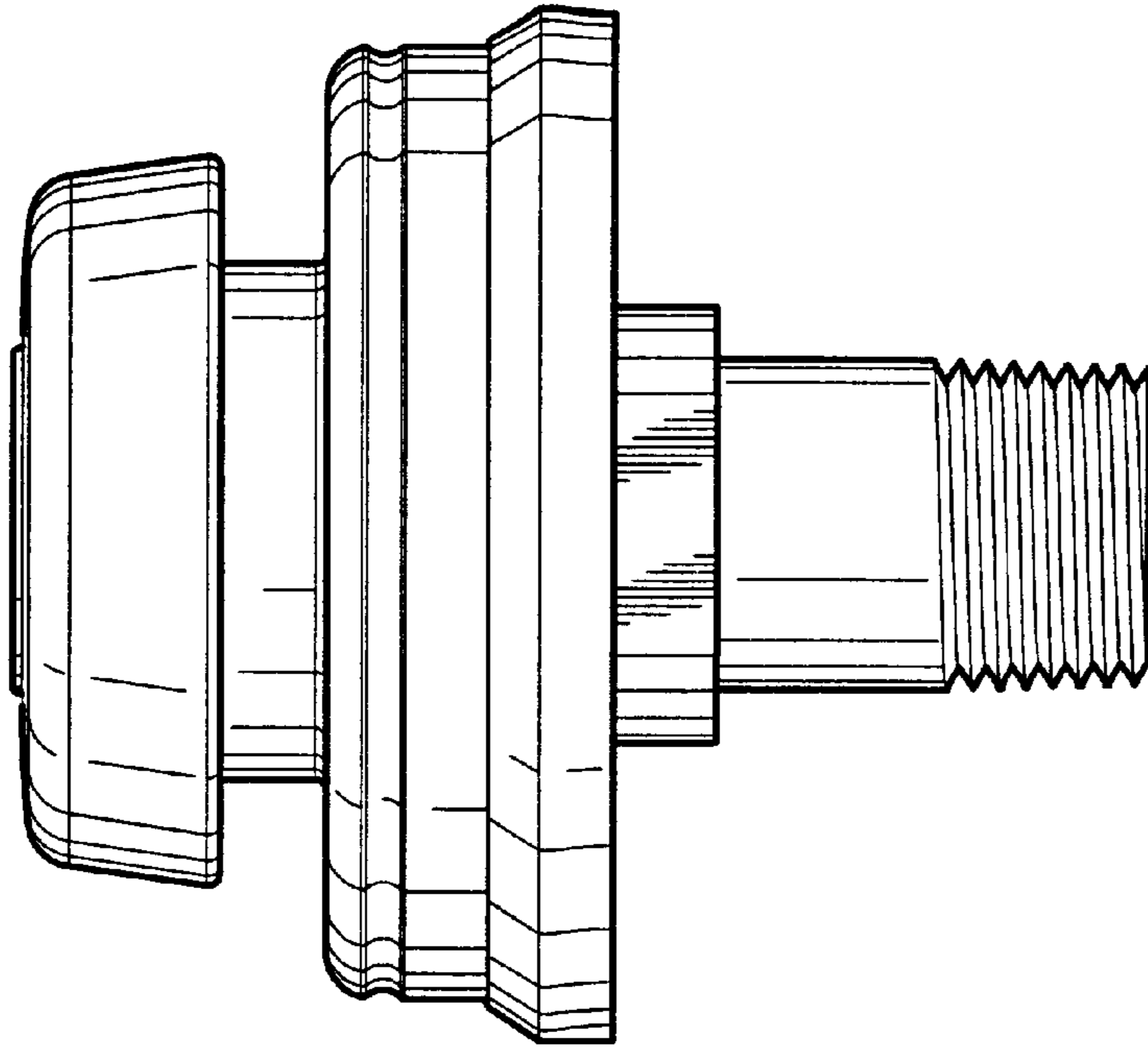


Figure - 6

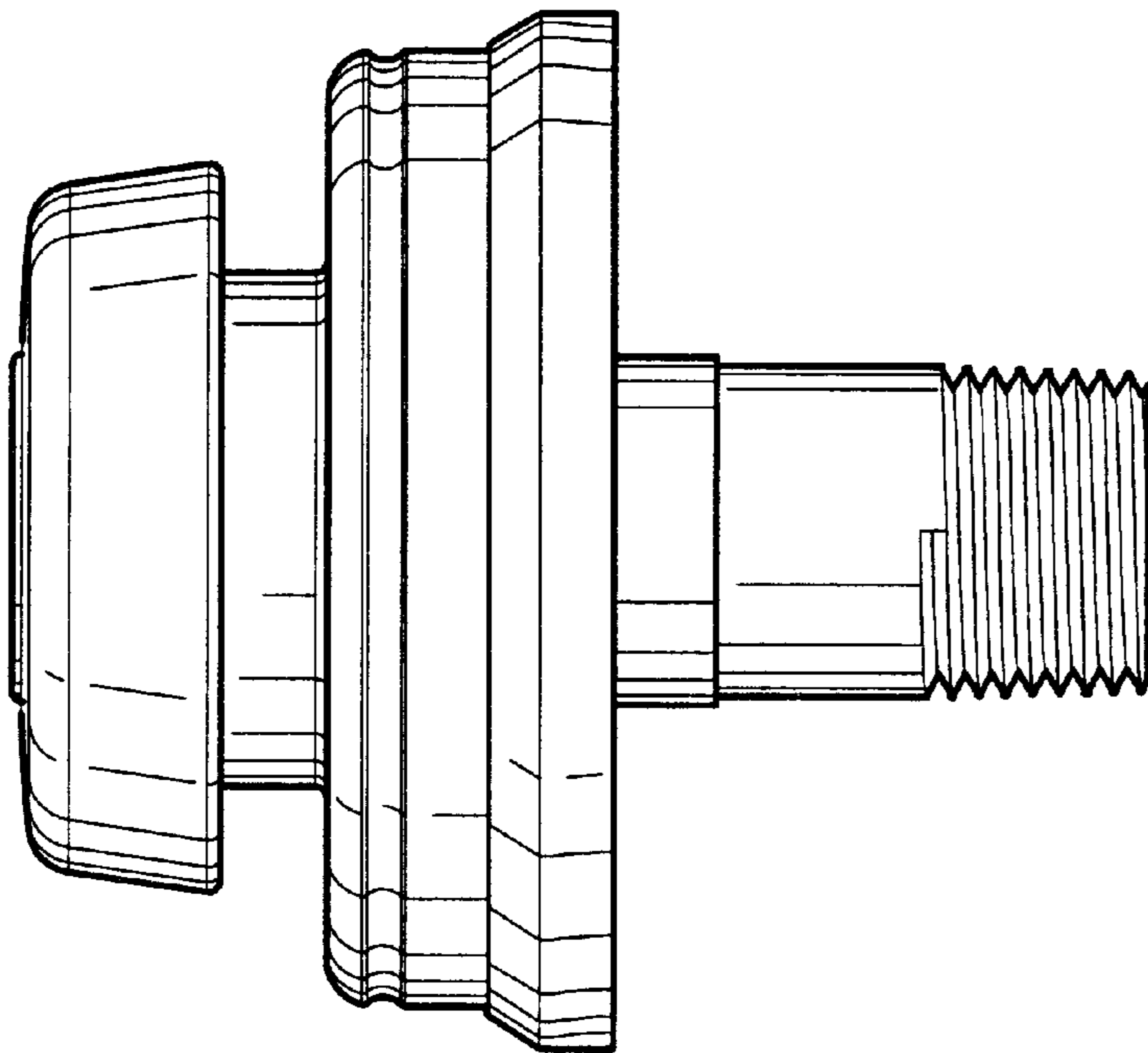


Figure - 7