



US00D454168S

(12) **United States Design Patent**
Ish, III et al.

(10) **Patent No.:** **US D454,168 S**

(45) **Date of Patent:** **** Mar. 5, 2002**

(54) **EXERCISE APPARATUS**

D390,287 S * 2/1998 Hsieh et al. D21/676
D444,518 S * 7/2001 Webber D21/694

(75) Inventors: **A. Buell Ish, III**, Redmond; **Shan Eugene Gaw**, Bellevue, both of WA (US)

* cited by examiner

Primary Examiner—Philip S. Hyder

(73) Assignee: **Vectra Fitness, Inc.**, Redmond, WA (US)

(74) *Attorney, Agent, or Firm*—Dorsey & Whitney LLP

(**) Term: **14 Years**

(57) **CLAIM**

The ornamental design for an exercise apparatus, as shown and described.

(21) Appl. No.: **29/136,903**

DESCRIPTION

(22) Filed: **Feb. 9, 2001**

(51) **LOC (7) Cl.** **21-02**

(52) **U.S. Cl.** **D21/694**

(58) **Field of Search** D21/662, 673,
D21/675, 676, 694; 482/93, 94, 97, 133,
135, 138, 148

FIG. 1 is a front isometric view of an exercise apparatus showing our new design in a representative operating environment.

FIG. 2 is a front isometric view of an exercise apparatus showing our new design in isolation.

FIG. 3 is a front elevational view thereof.

FIG. 4 is a rear elevational view thereof.

FIG. 5 is a right side elevational view thereof.

FIG. 6 is a left side elevational view thereof.

FIG. 7 is a top plan view thereof; and,

FIG. 8 is a bottom plan view thereof.

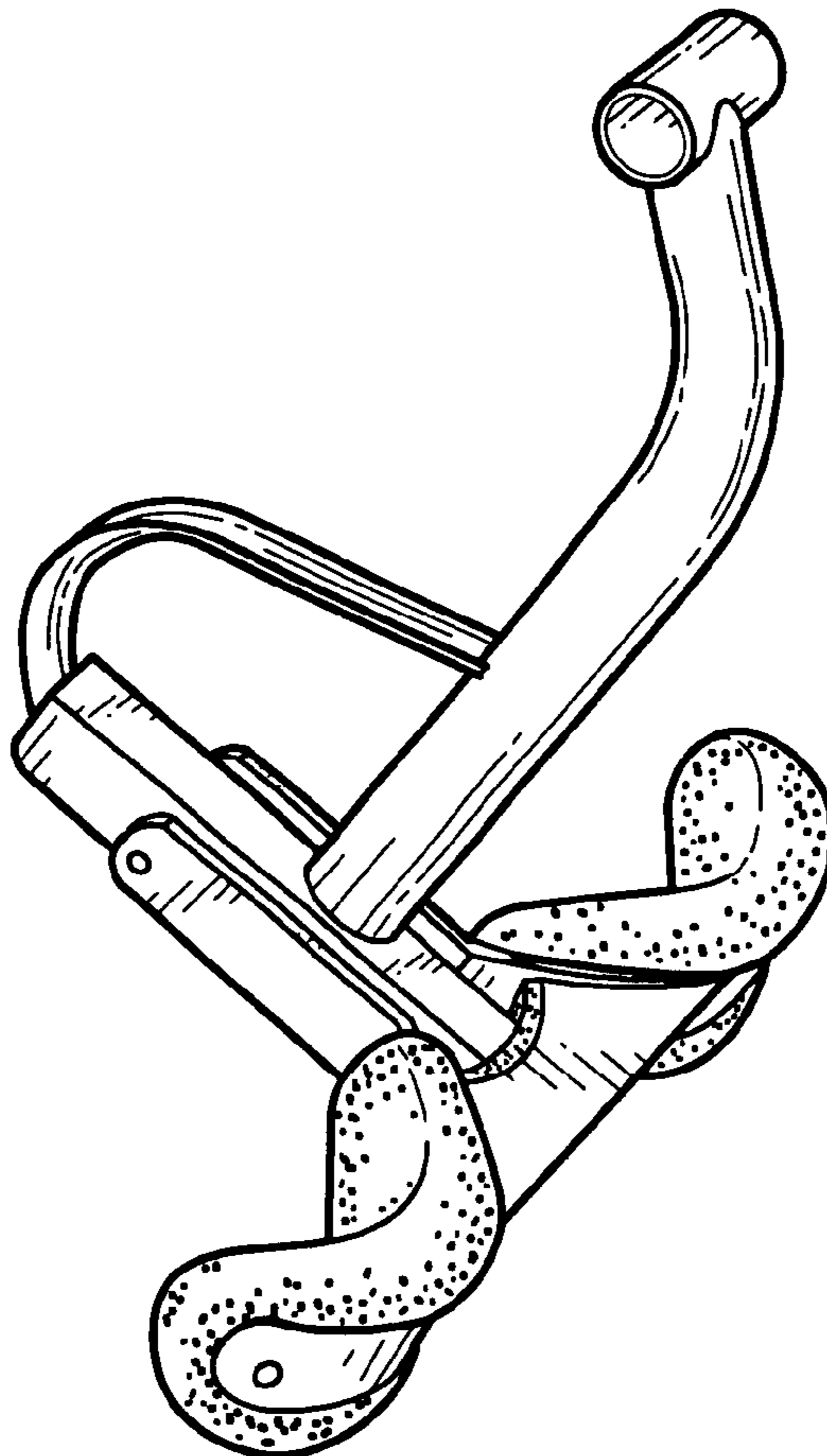
The broken line showing of representative operating environment in FIG. 1 is for illustrative purposes only and forms no part of the claimed design.

(56) **References Cited**

U.S. PATENT DOCUMENTS

4,746,114 A	*	5/1988	Grider	482/100
D303,696 S	*	9/1989	Carlson et al.	D21/676
5,395,295 A	*	3/1995	Ish, III	482/100
D366,917 S	*	2/1996	Clem	D21/690
D384,116 S	*	9/1997	Brefka et al.	D21/676
D384,117 S	*	9/1997	Piaget et al.	D21/676

1 Claim, 5 Drawing Sheets



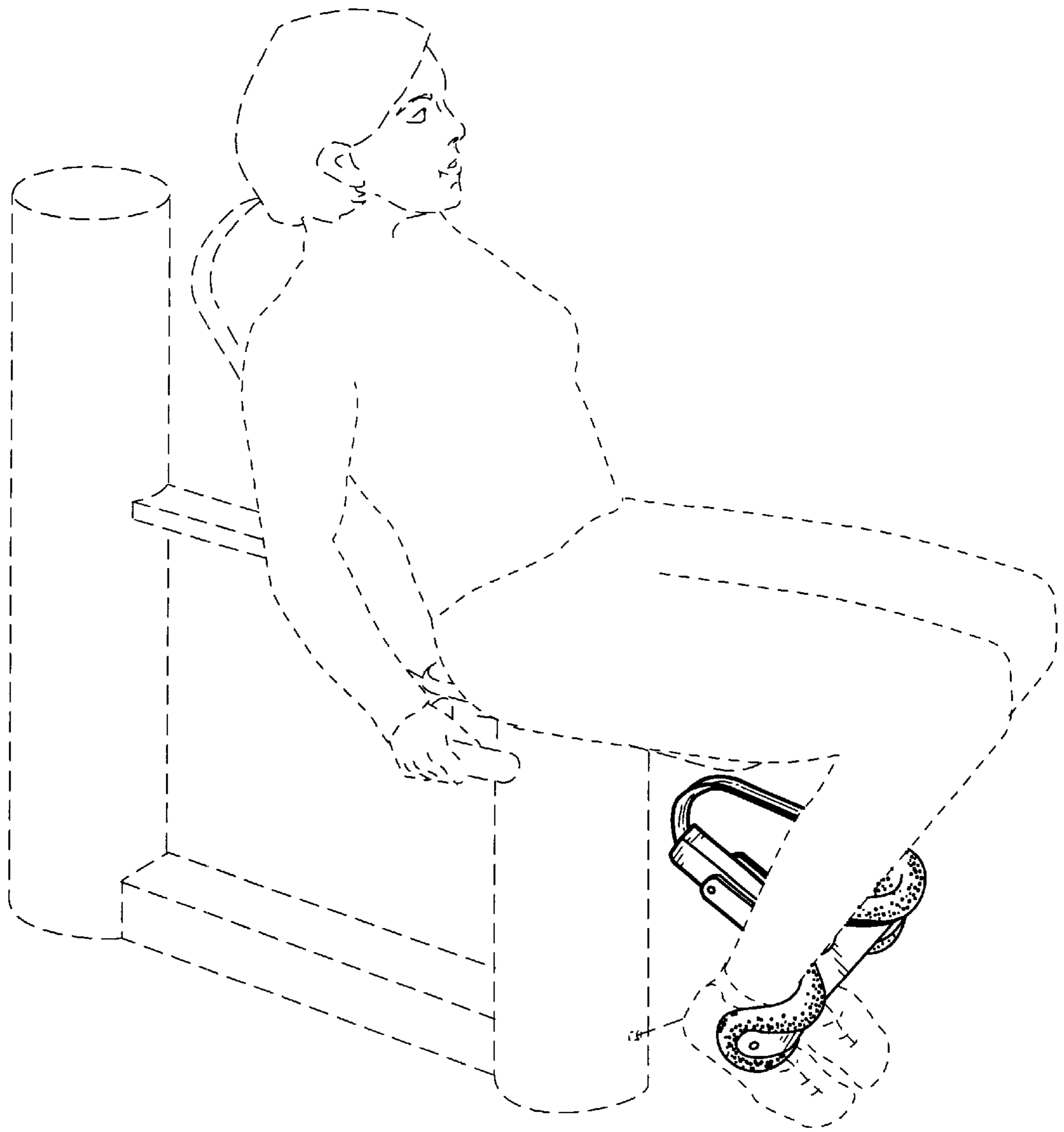


FIG.1

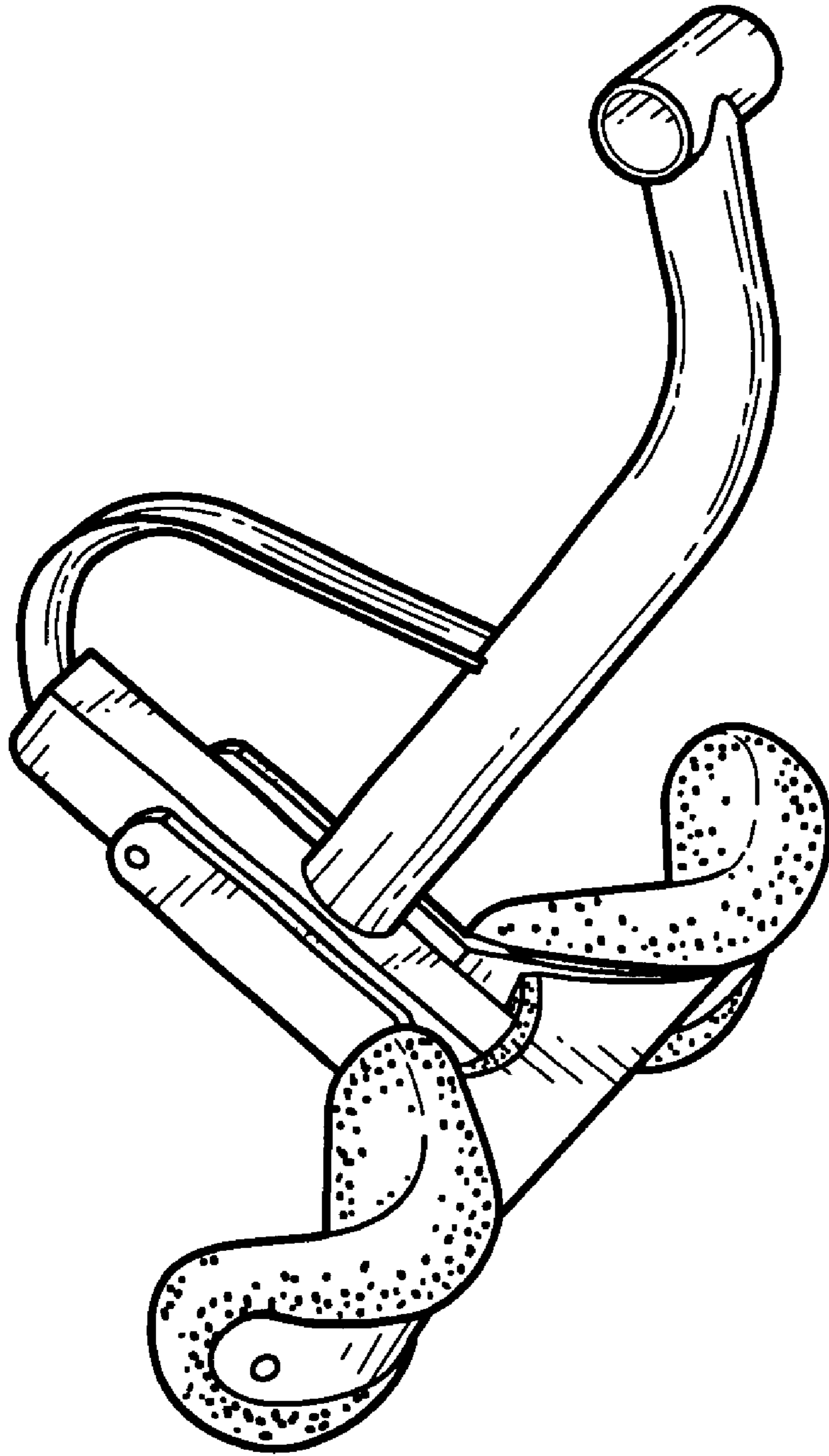


FIG.2

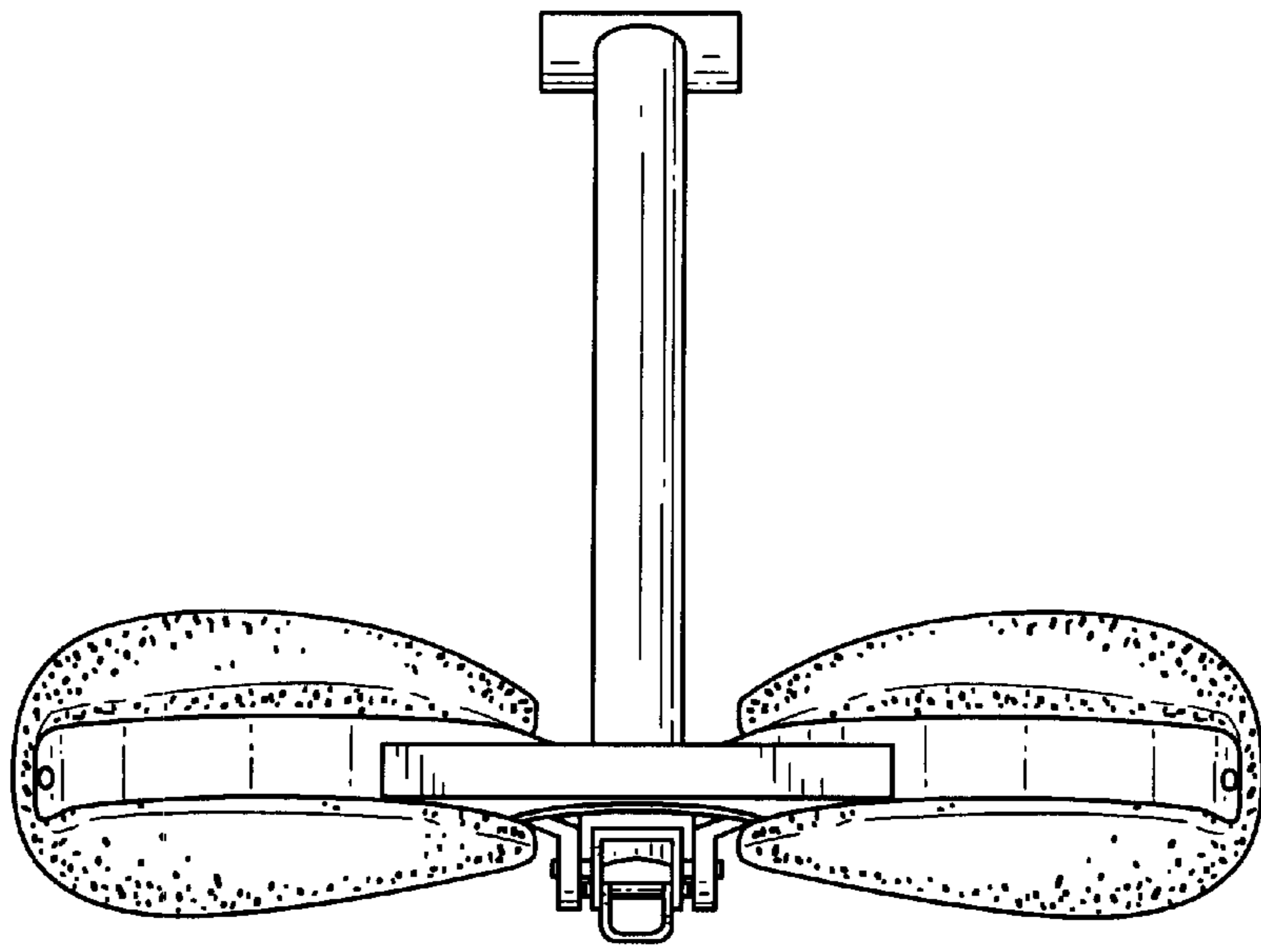


FIG. 3

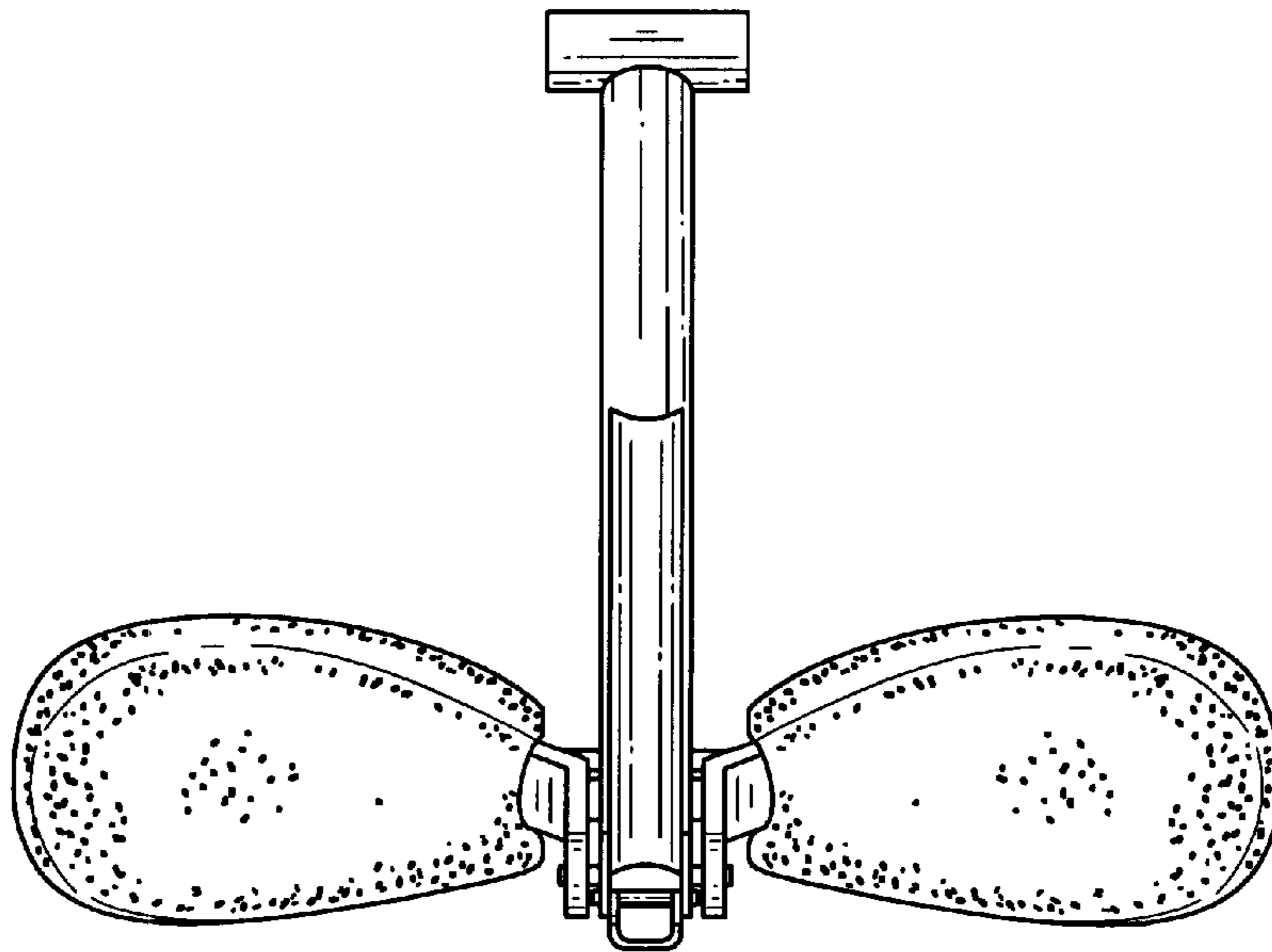


FIG. 4

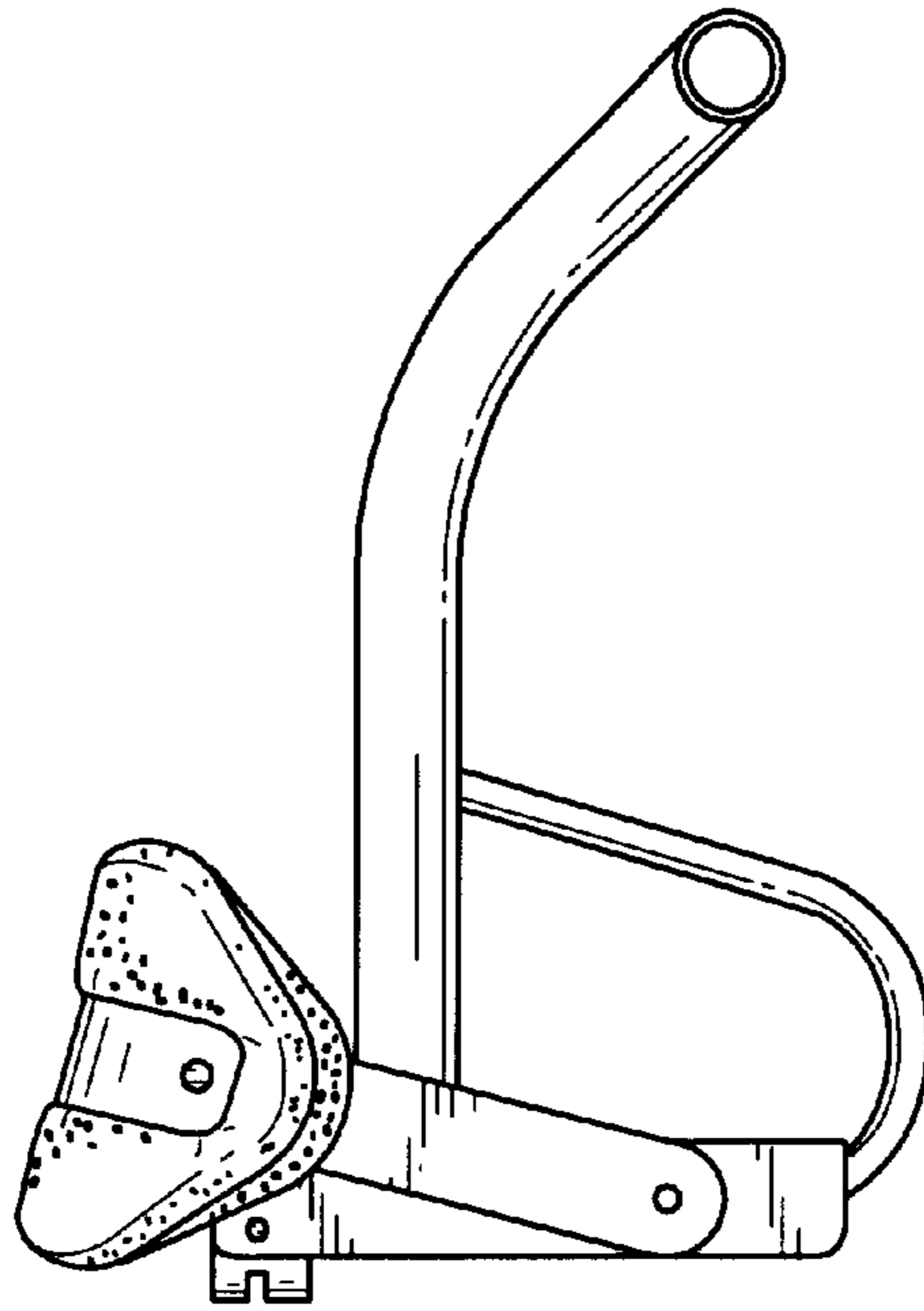


FIG. 5

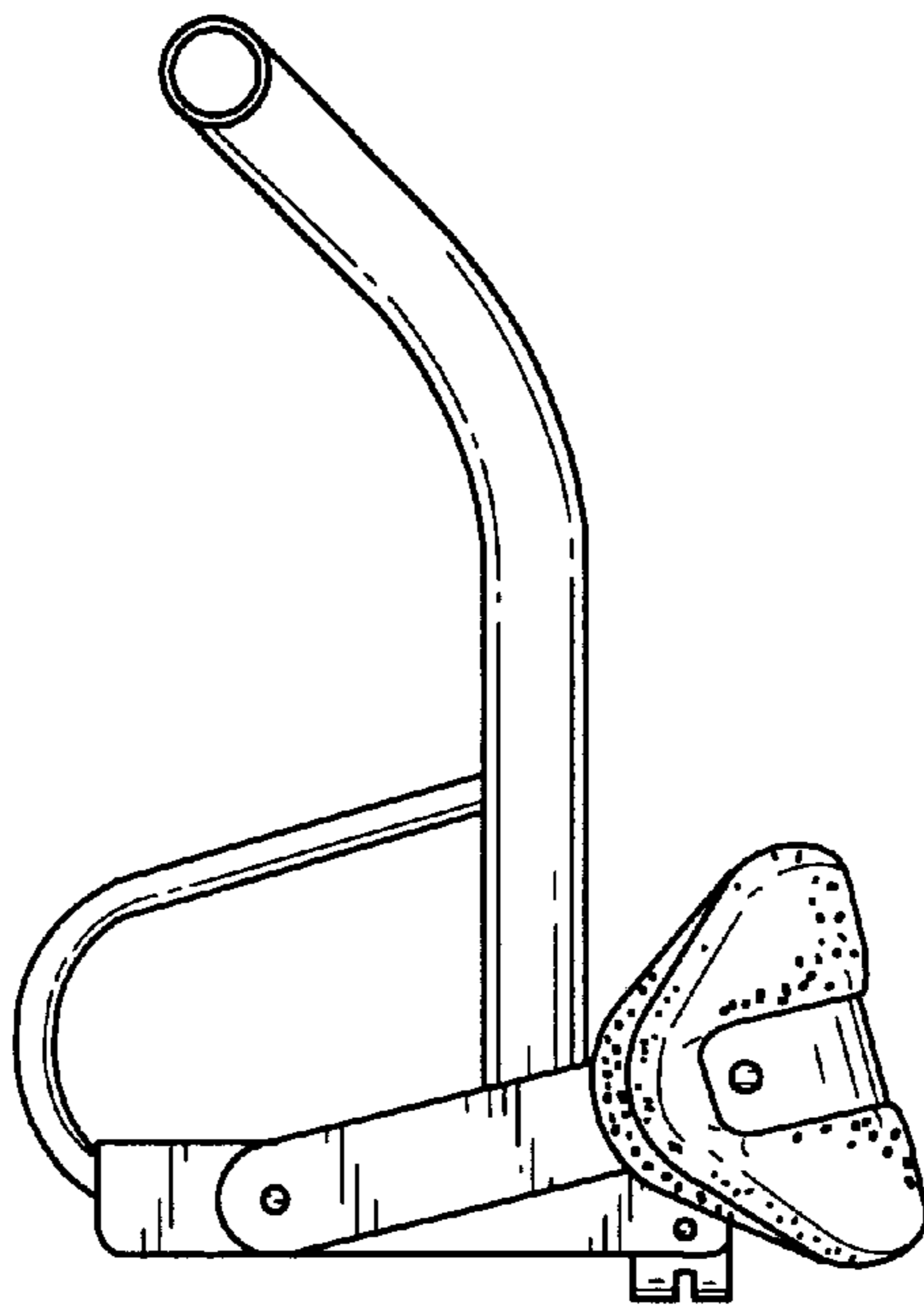


FIG. 6

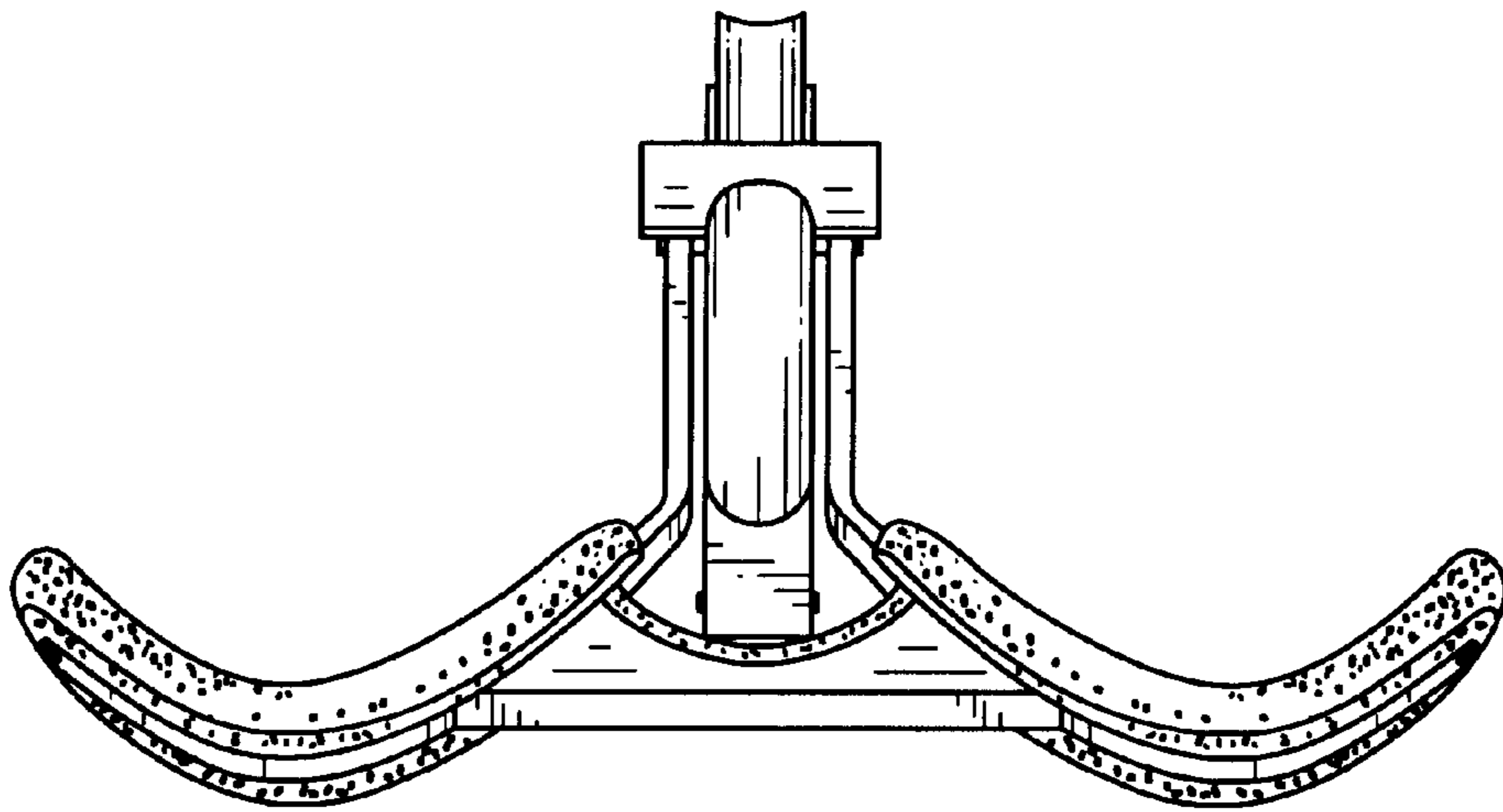


FIG. 7

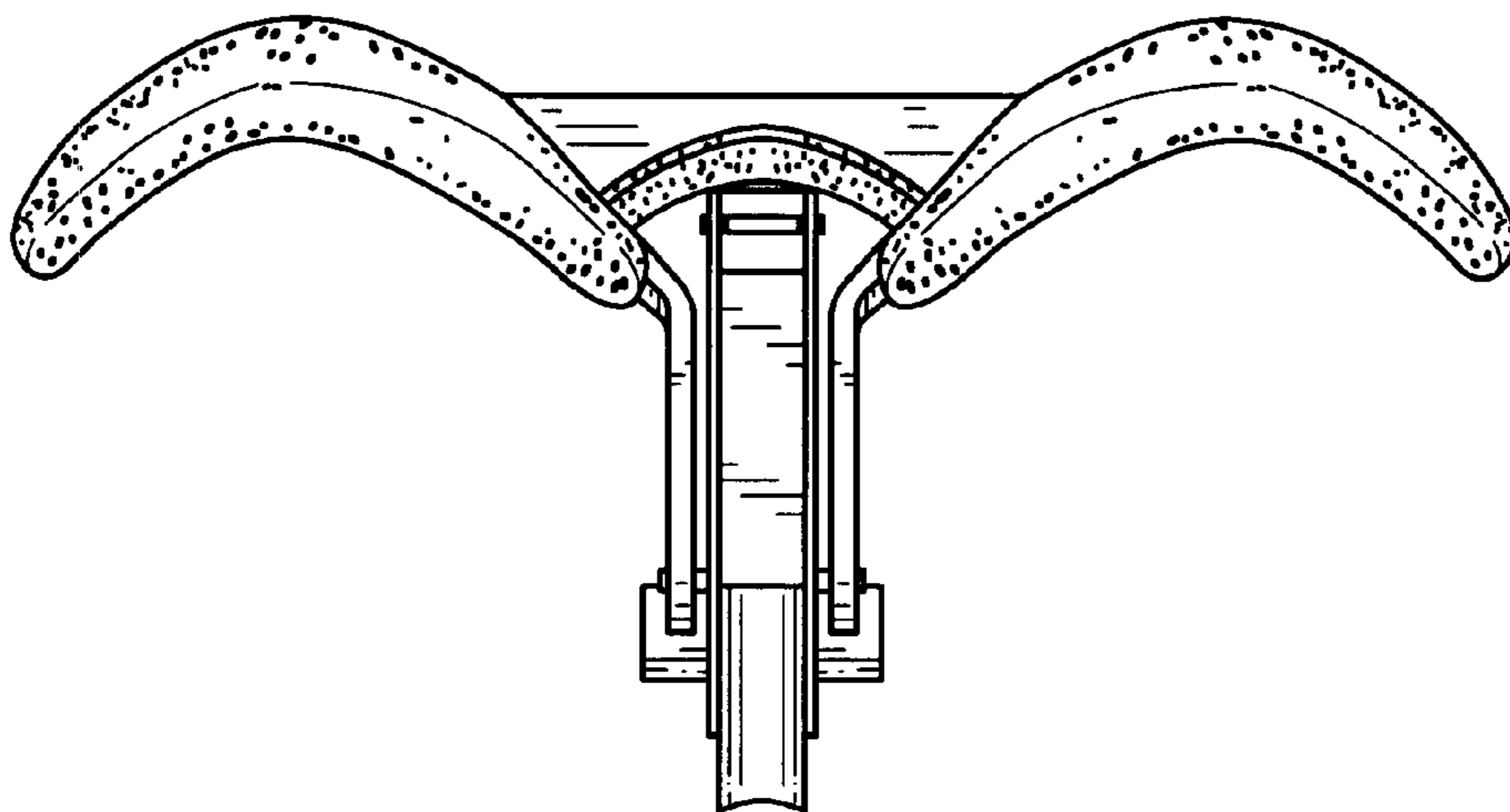


FIG. 8