



US00D454163S

(12) **United States Design Patent**
Nagel

(10) **Patent No.:** **US D454,163 S**

(45) **Date of Patent:** **** Mar. 5, 2002**

(54) **LABEL HOLDER**

(75) **Inventor:** **Thomas O. Nagel**, Blairstown, NJ (US)

(73) **Assignee:** **Trion Industries, Inc.**, Wilkes-Barre, PA (US)

(**) **Term:** **14 Years**

(21) **Appl. No.:** **29/126,753**

(22) **Filed:** **Jul. 21, 2000**

(51) **LOC (7) Cl.** **20-02**

(52) **U.S. Cl.** **D20/43**

(58) **Field of Search** D20/10, 39, 40,
D20/42, 43, 44; 40/1, 1.5, 1.6, 642.02,
643, 644, 649, 650, 653, 658, 661.06, 662

(56) **References Cited**

U.S. PATENT DOCUMENTS

D296,569 S	*	7/1988	Vela	D20/43
D422,643 S	*	4/2000	Goslin et al.	D20/43
D425,566 S	*	5/2000	Mueller et al.	D20/43
D426,584 S	*	6/2000	Czalkiewicz	D20/43
D443,311 S	*	6/2001	Wildrick	D20/43

* cited by examiner

Primary Examiner—Marcus A. Jackson

(74) *Attorney, Agent, or Firm*—Schweitzer Cornman Gross & Bondell LLP

(57) **CLAIM**

The ornamental design for a label holder, as shown and described.

DESCRIPTION

FIG. 1 is a front and bottom perspective view of a first embodiment of the label holder of the invention.

FIG. 2 is a rear and top perspective view thereof.

FIG. 3 is a front and bottom perspective view of a second embodiment of the label holder of the invention.

FIG. 4 is a back and top perspective view of the label holder of FIG. 3.

FIG. 5 is a front and bottom perspective view of a third embodiment of the label holder of the invention.

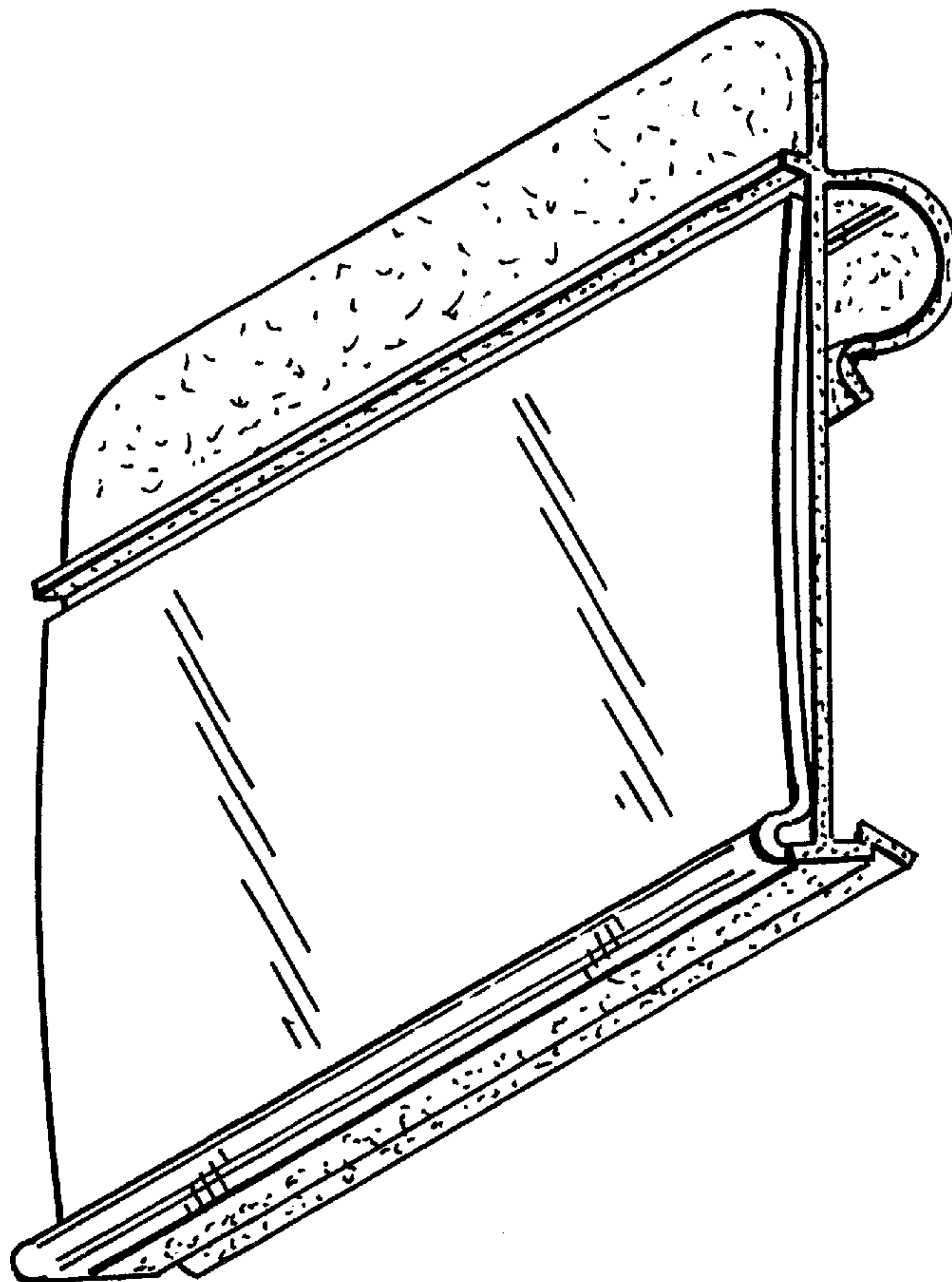
FIG. 6 is a back and top perspective view of the label holder of FIG. 5.

FIG. 7 is a front and bottom perspective view of a fourth embodiment of the label holder of the invention; and,

FIG. 8 is a back and top perspective view of the label holder of FIG. 7.

In all views, the stippling indicates color, but not a particular color.

1 Claim, 8 Drawing Sheets



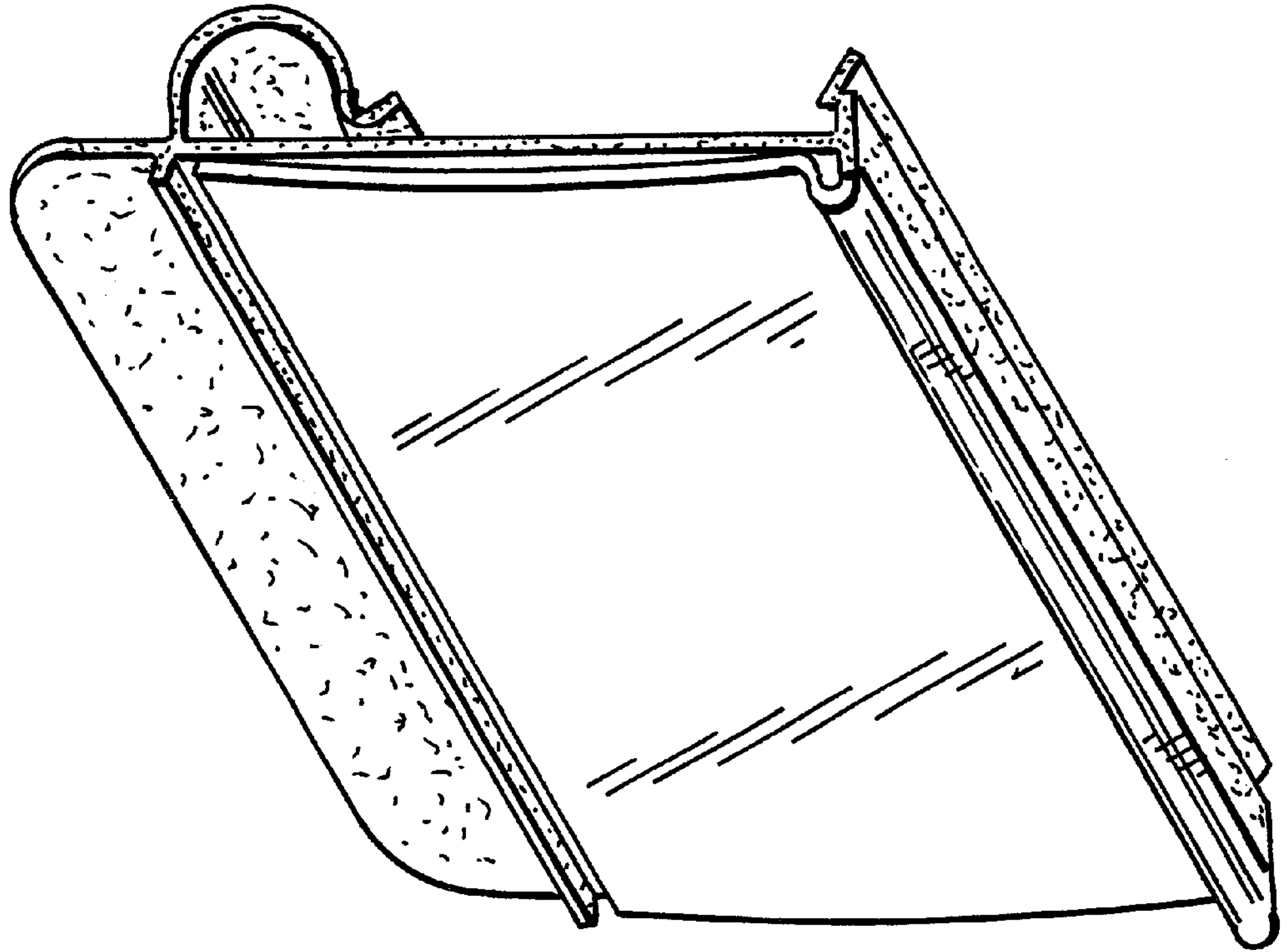


FIG. 1

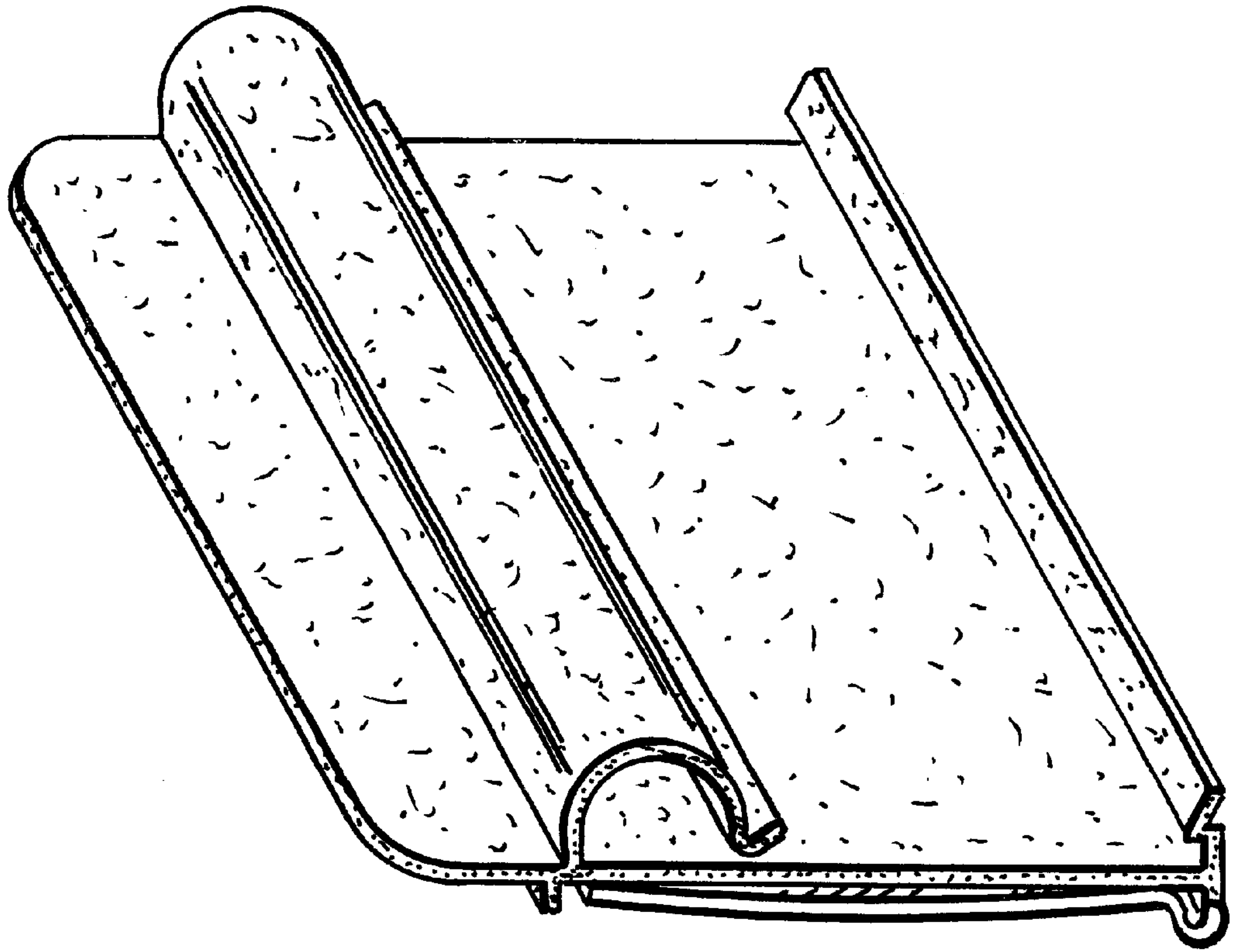


FIG. 2

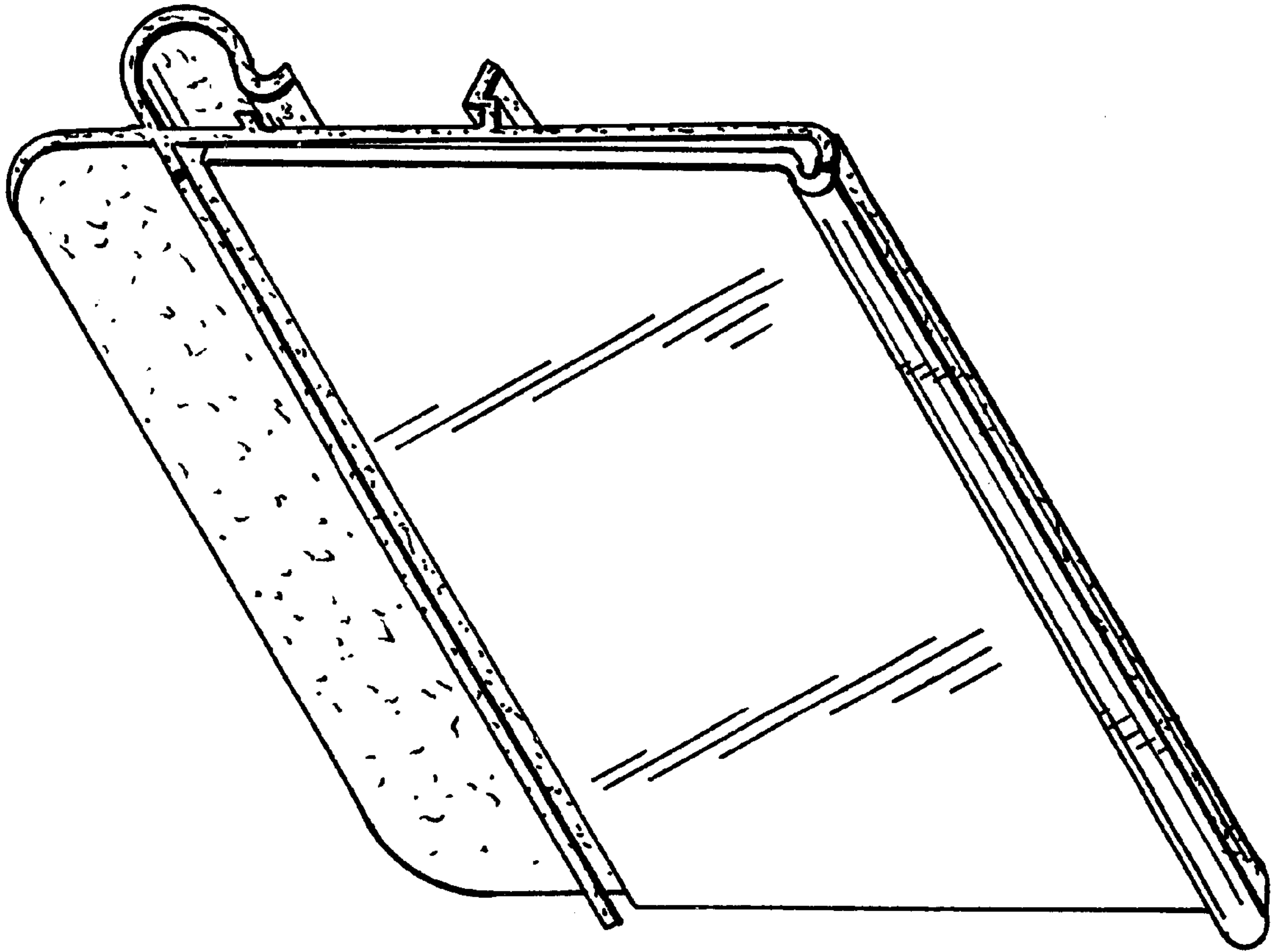


FIG. 3

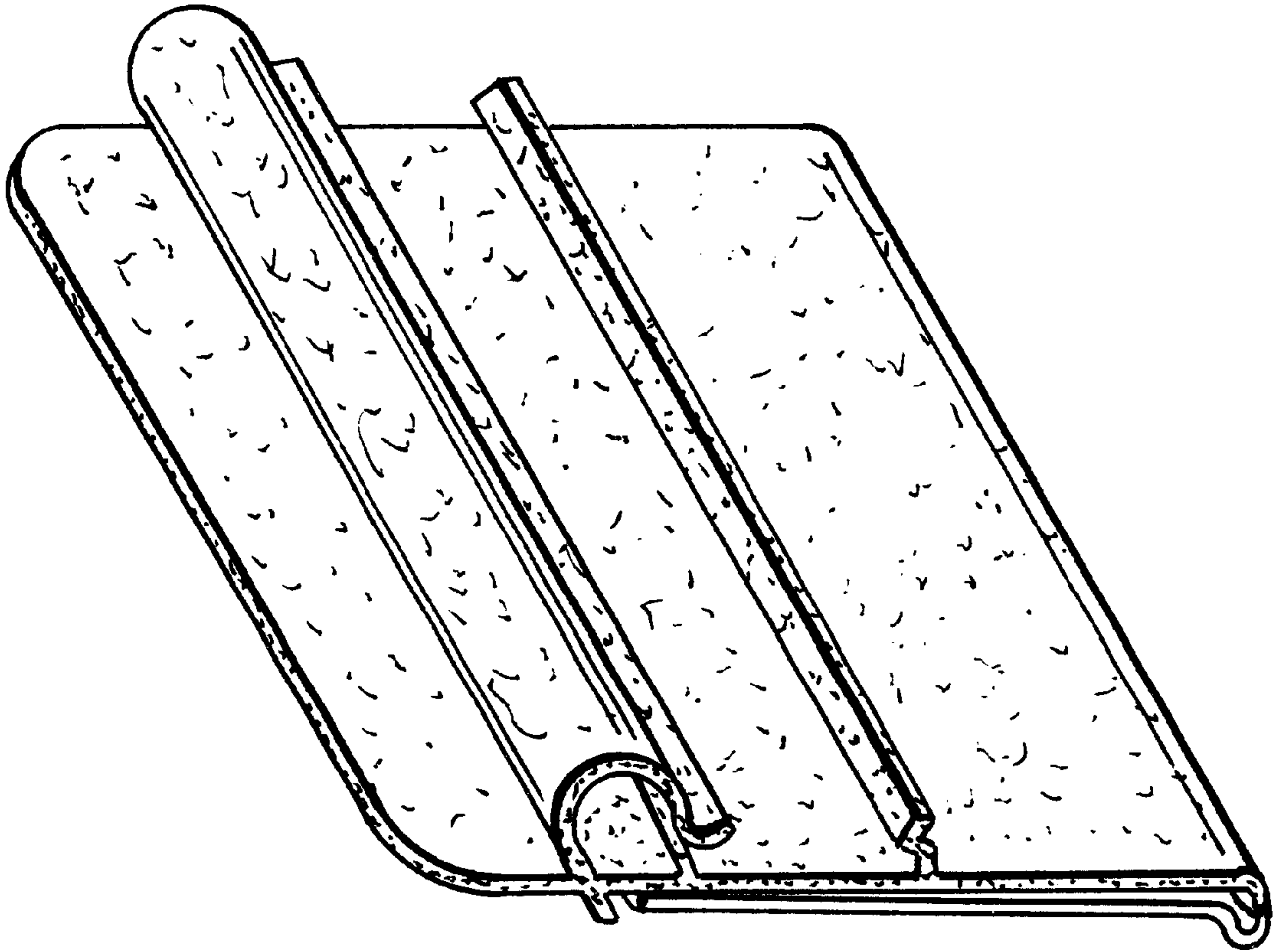


FIG. 4

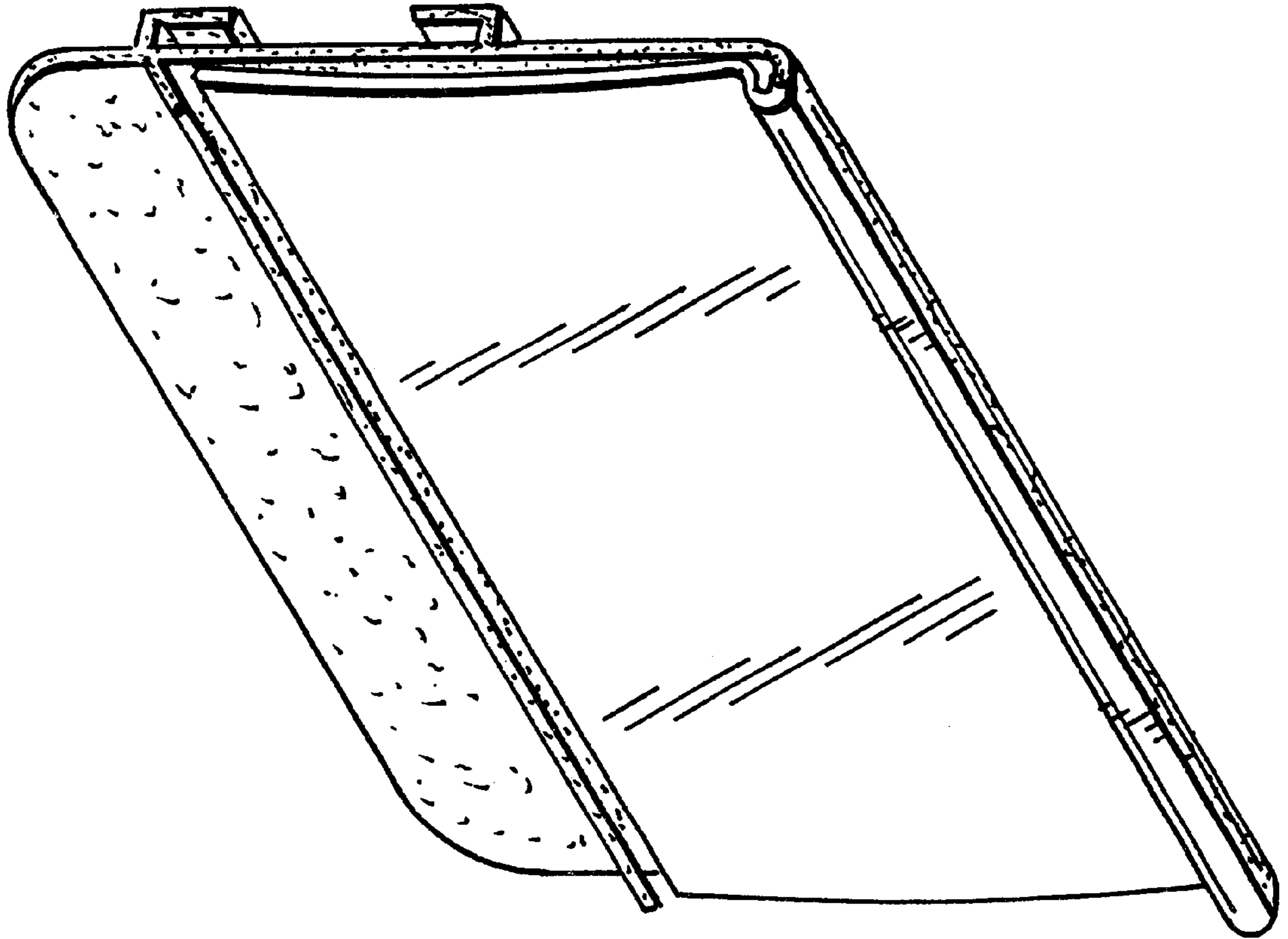


FIG. 5

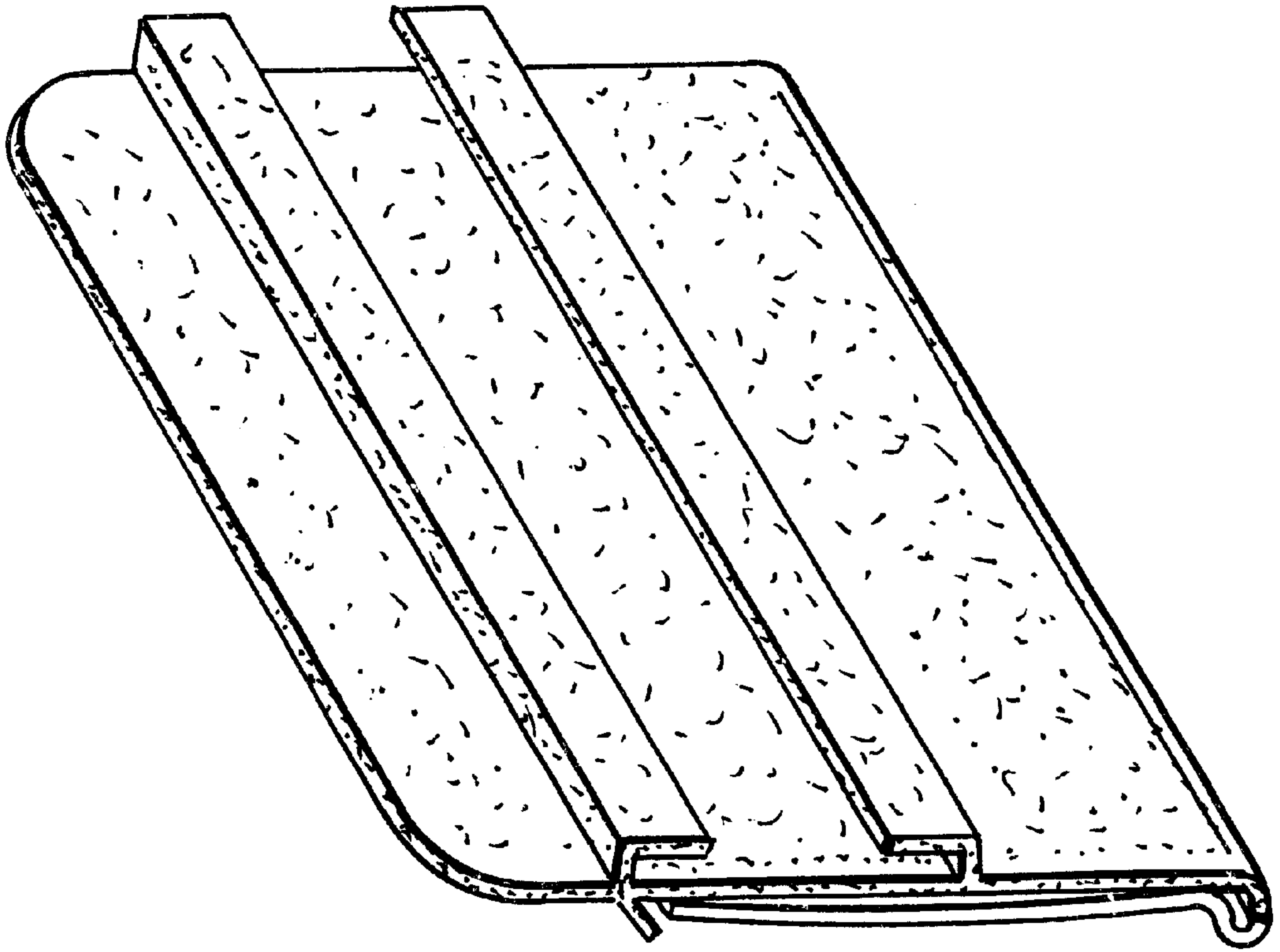


FIG. 6

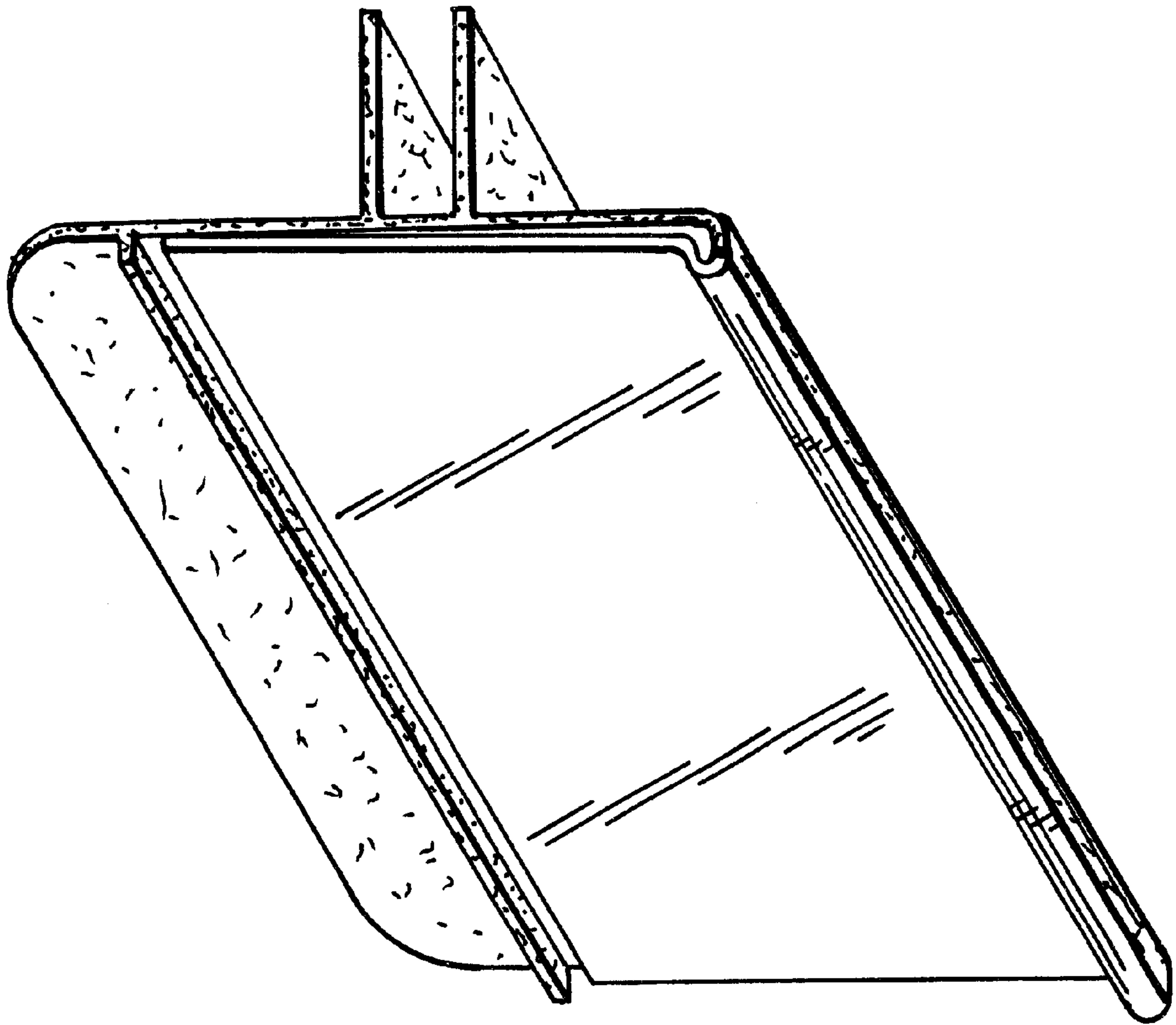


FIG. 7

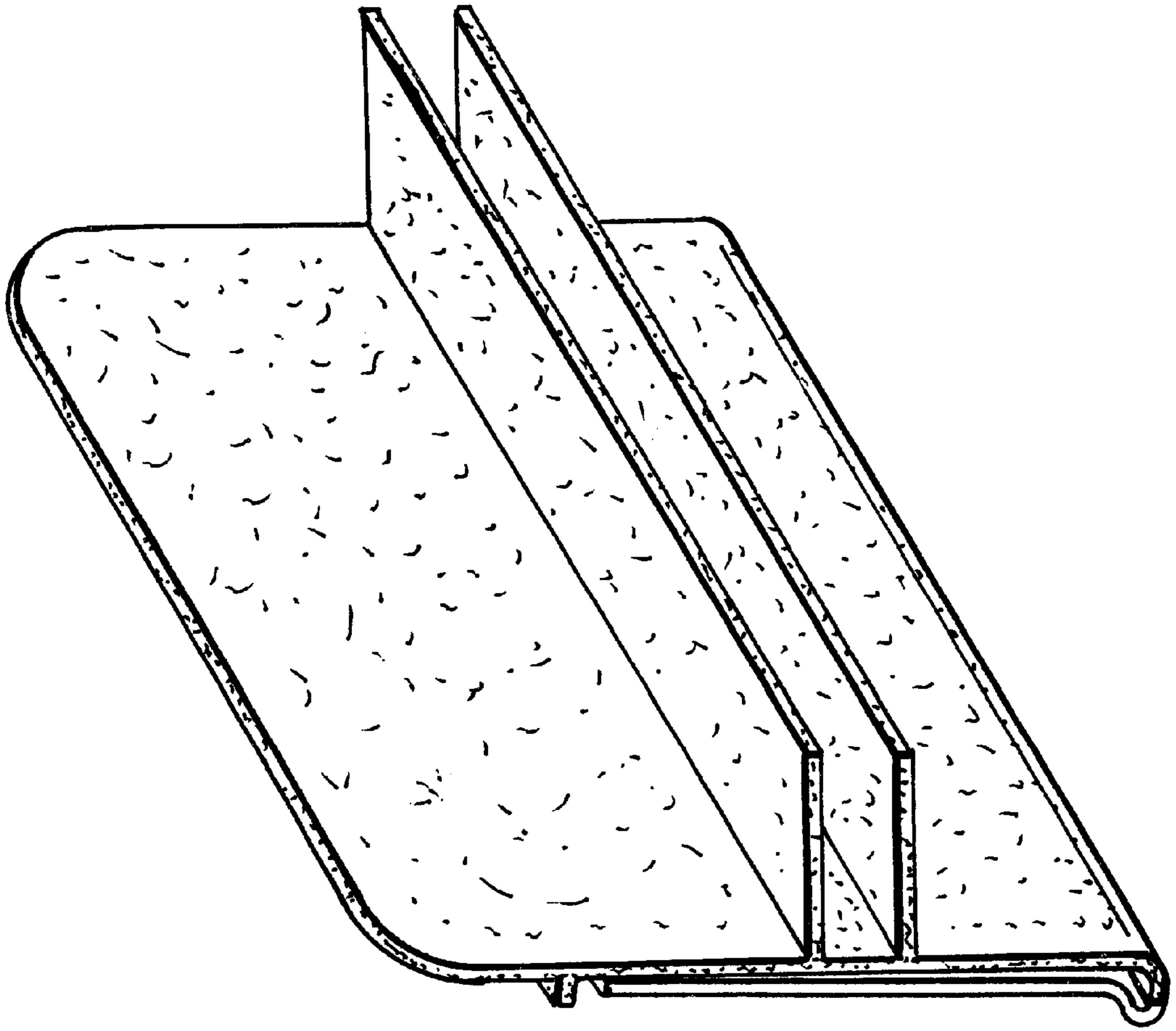


FIG. 8