



US00D454147S

(12) **United States Design Patent**
Hollington et al.

(10) **Patent No.:** **US D454,147 S**

(45) **Date of Patent:** **** Mar. 5, 2002**

(54) **CAMERA WITH FLIP-UP FLASH**

D433,047 S * 10/2000 Reber D16/209
D437,867 S * 2/2001 Hollington et al. D16/211

(75) Inventors: **Geoff Hollington; Richard Arnott;**
David Townsend-Elliott, all of London
(GB); **Francis R. Skop**, Rochester, NY
(US)

* cited by examiner

Primary Examiner—Adir Aronovich

(74) *Attorney, Agent, or Firm*—Roland R. Schindler, II

(73) Assignee: **Eastman Kodak Company**, Rochester,
NY (US)

(57) **CLAIM**

(**) Term: **14 Years**

The ornamental design for a camera with flip-up flash, as shown and described.

(21) Appl. No.: **29/141,256**

DESCRIPTION

(22) Filed: **May 2, 2001**

FIG. 1 is a front, top, right-side, perspective view of a camera with a flip-up flash according to our new design, showing the flash flipped down;

(51) **LOC (7) Cl.** **16-01**

(52) **U.S. Cl.** **D16/211; D16/209**

(58) **Field of Search** **D16/200–205,**
D16/208, 209, 211, 218; 396/176–178,
348–350, 448, 535, 536–541

FIG. 2 is a rear, bottom, left-side perspective view thereof;

FIG. 3 is a front elevation view thereof;

FIG. 4 is a rear elevation view thereof;

FIG. 5 is a top plan view thereof;

FIG. 6 is a bottom plan view thereof;

FIG. 7 is a right-side elevation view thereof;

FIG. 8 is a left-side elevation view thereof;

FIG. 9 is a front, top, right-side perspective view thereof, showing the flash flipped up; and,

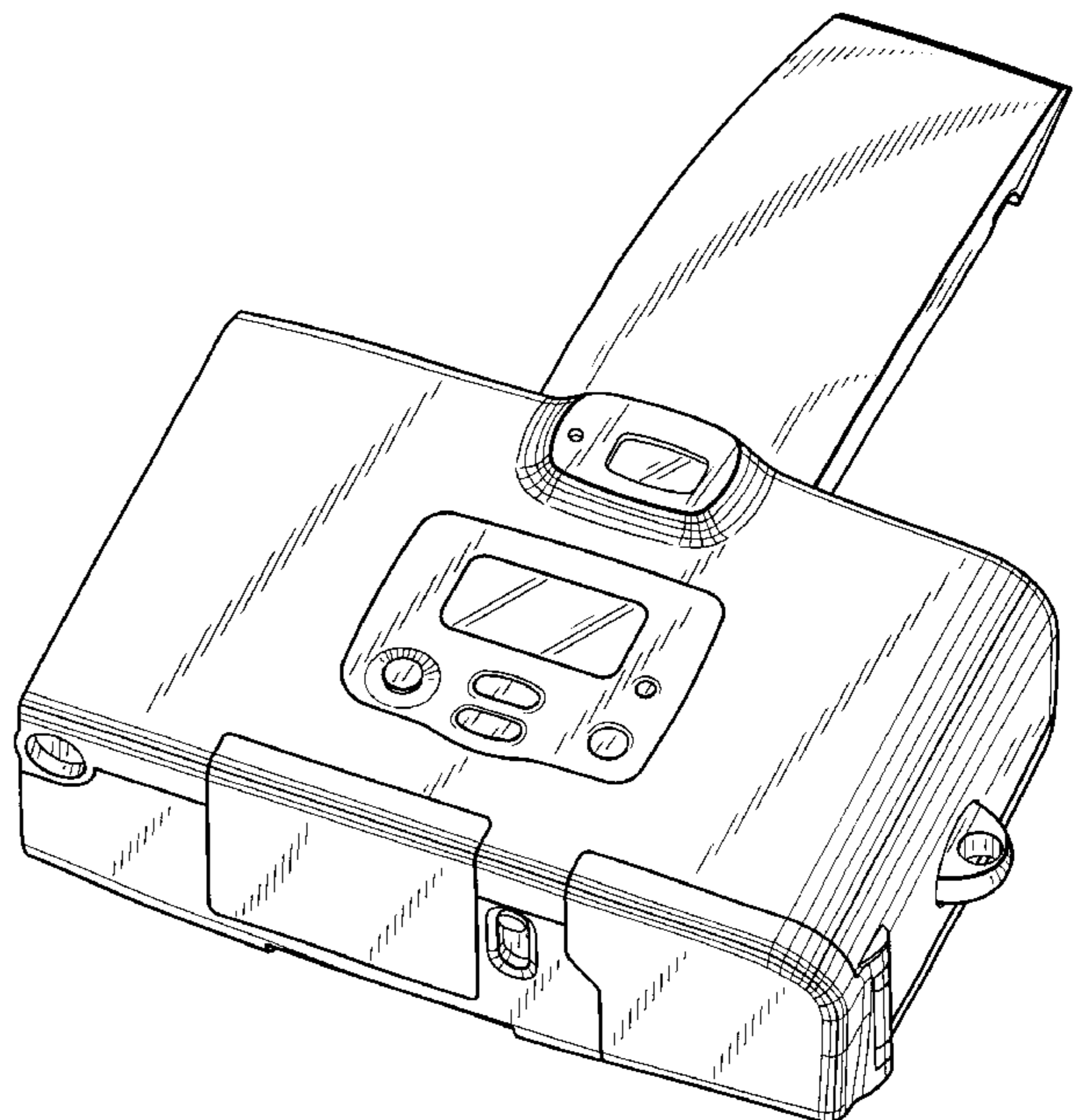
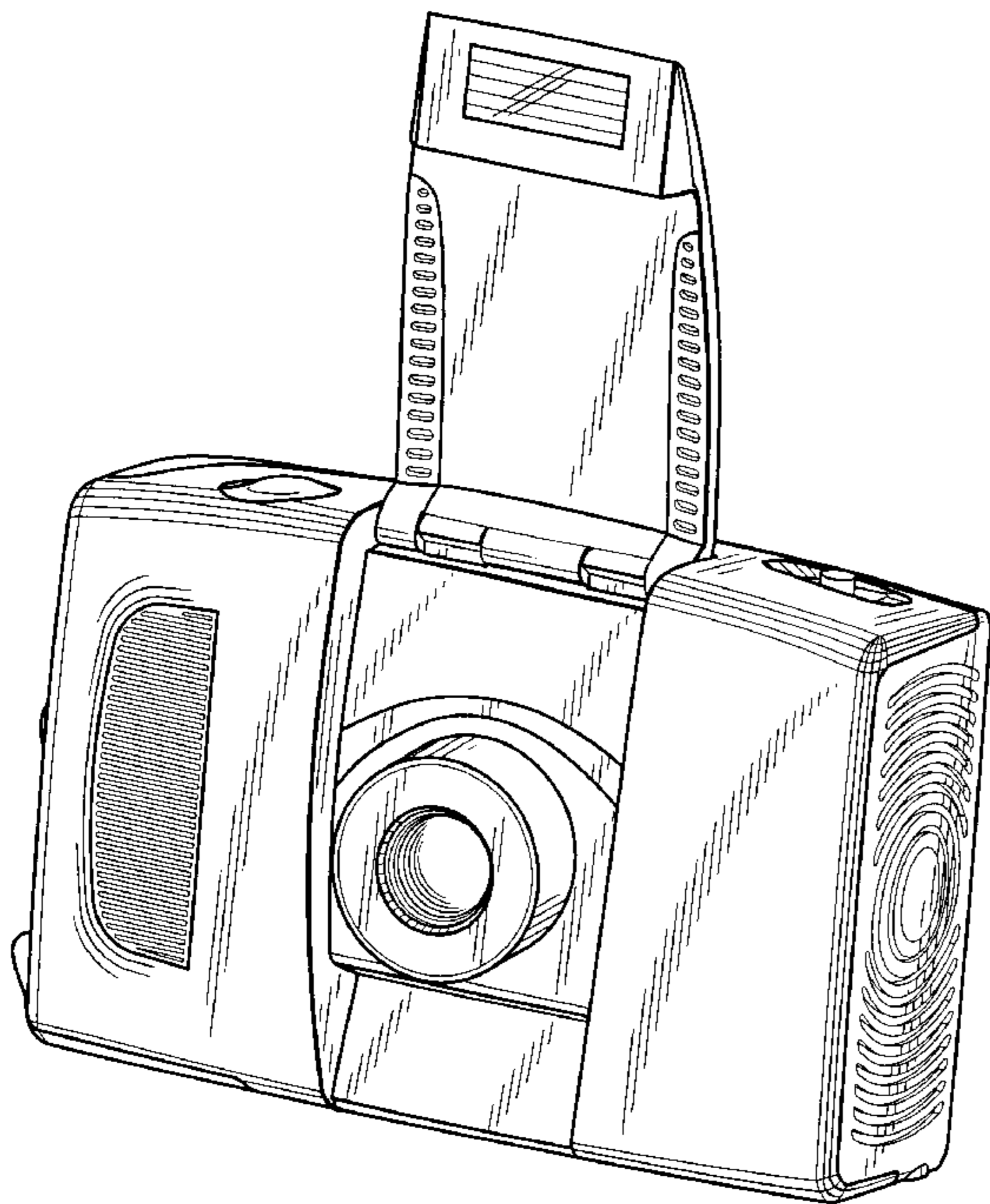
FIG. 10 is a rear, bottom, left-side perspective view thereof, showing the flash flipped up.

(56) **References Cited**

U.S. PATENT DOCUMENTS

4,996,548 A * 2/1991 Schappler et al. 396/178
D327,899 S * 7/1992 Goldstein et al. D16/209
D358,831 S * 5/1995 Kozu D16/209
5,485,234 A * 1/1996 Stephenson, III 396/178
D413,614 S * 9/1999 Eng et al. D16/209

1 Claim, 5 Drawing Sheets



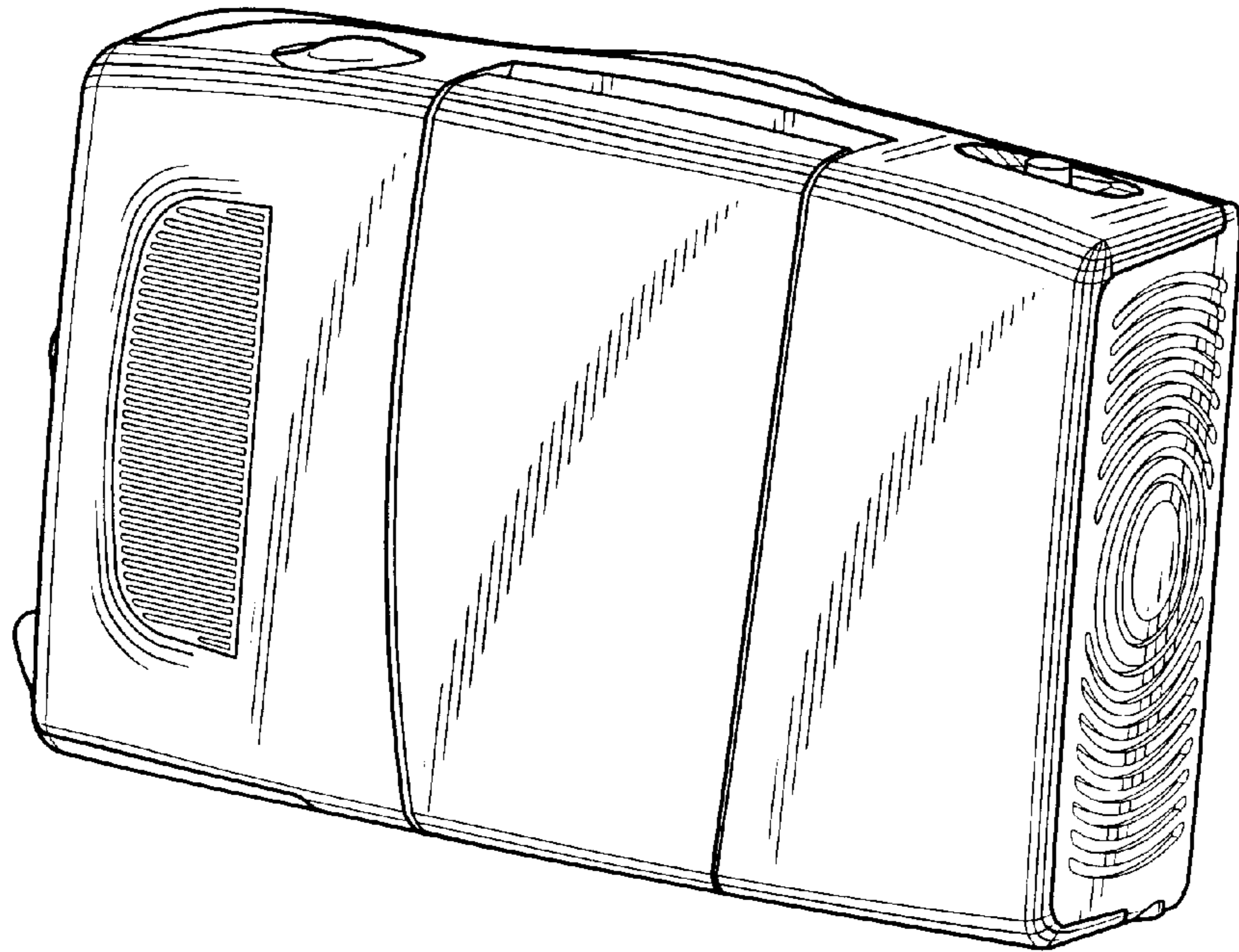


FIG. 1

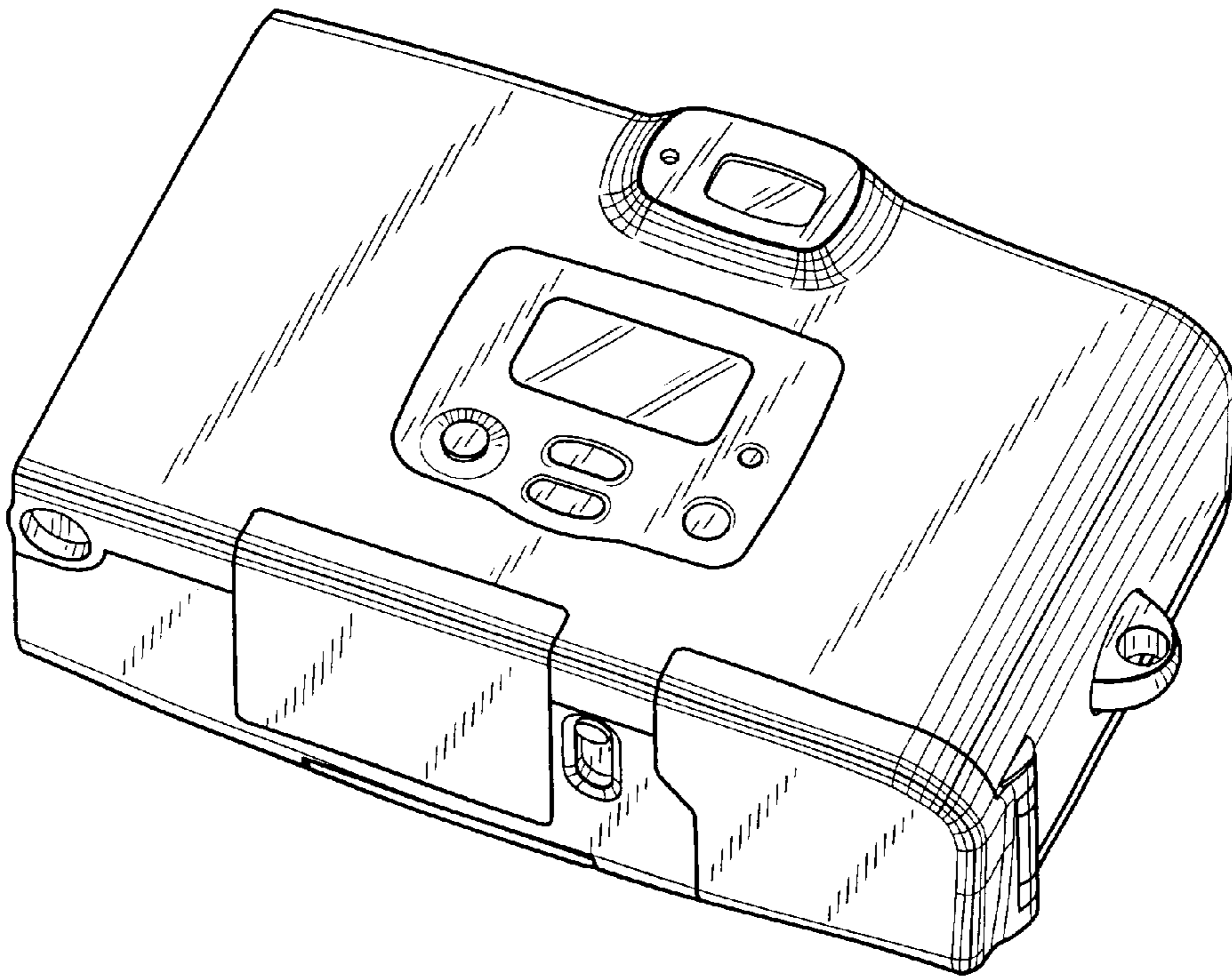


FIG. 2

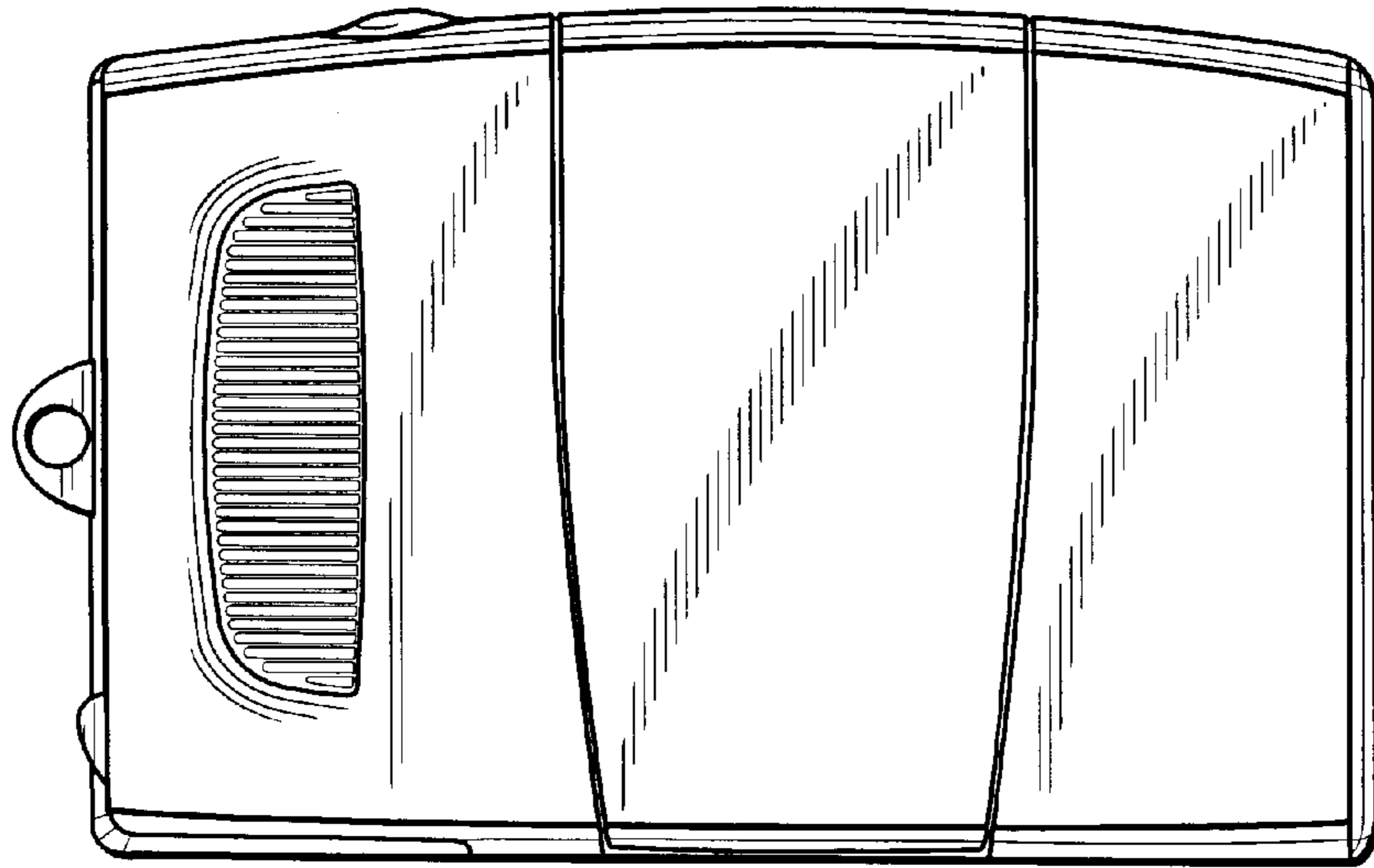


FIG. 3

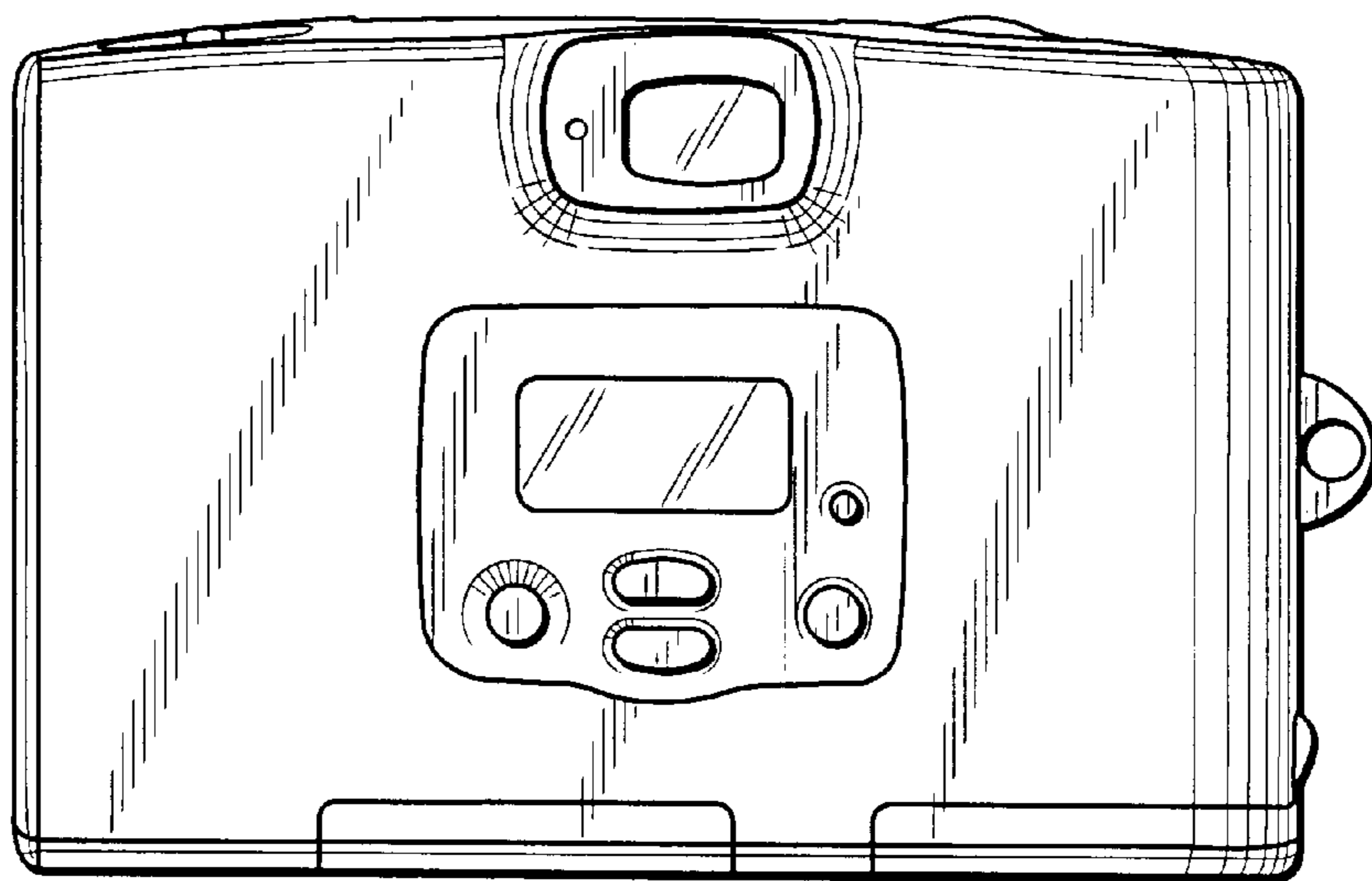


FIG. 4

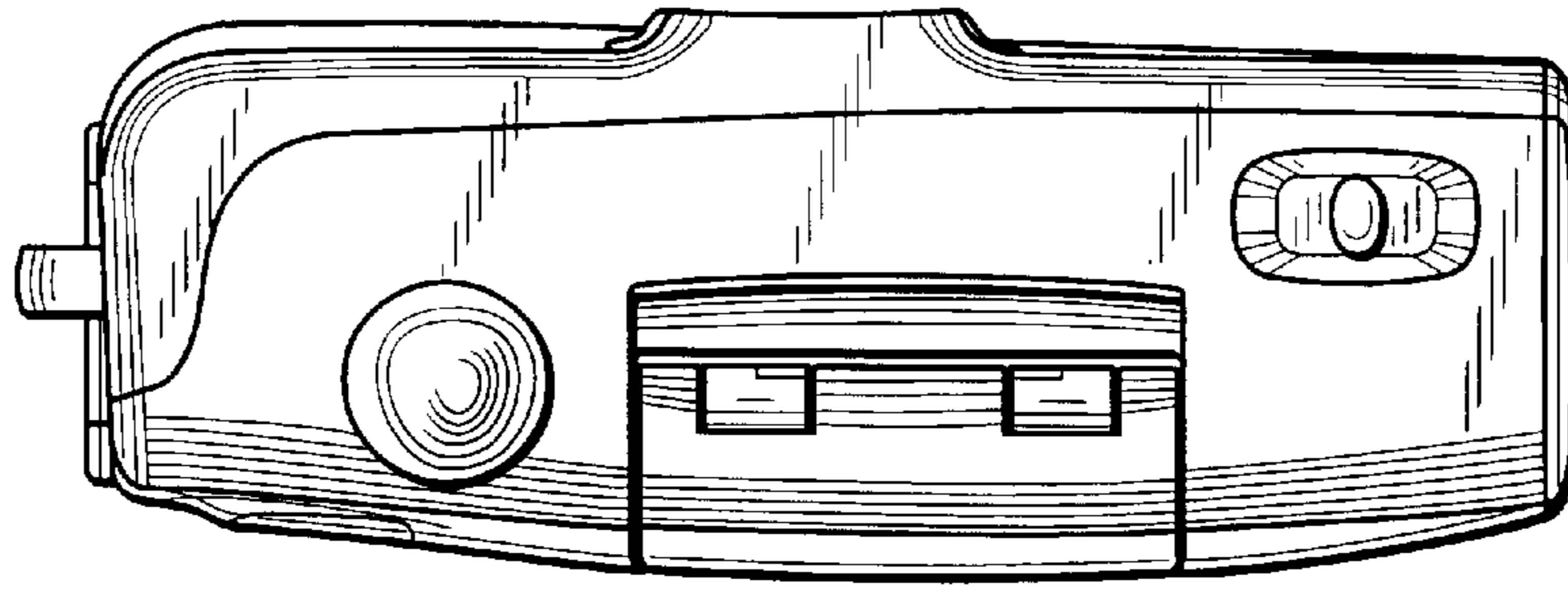


FIG. 5

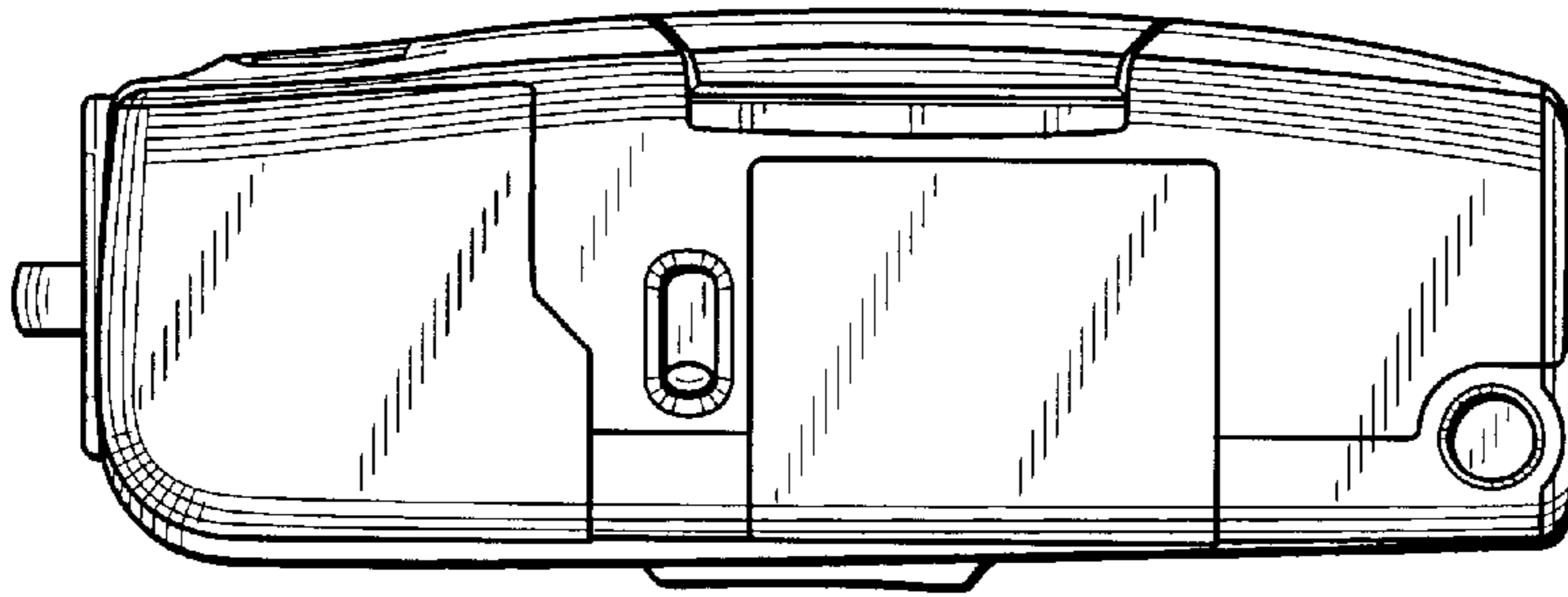


FIG. 6

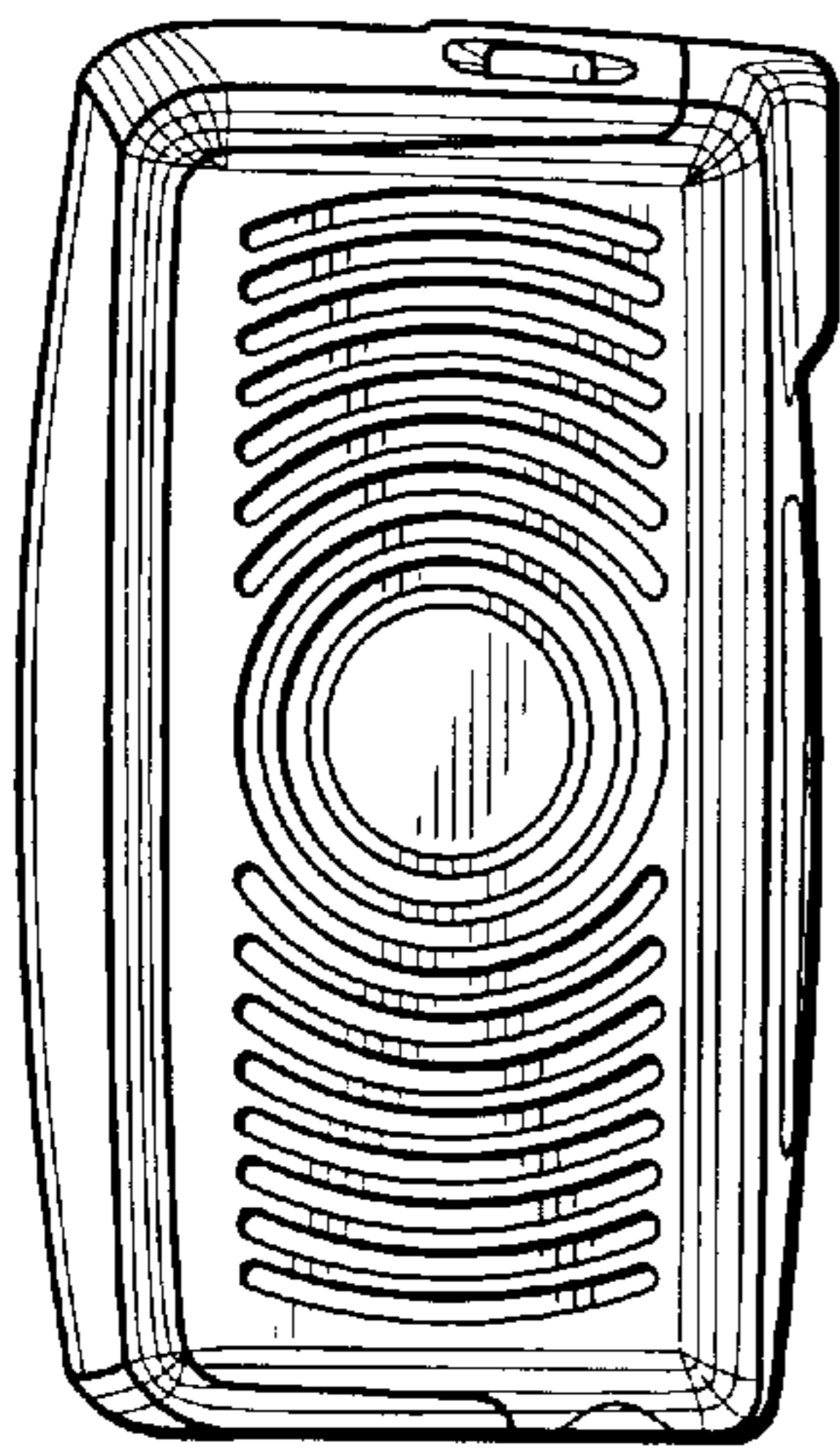


FIG. 7

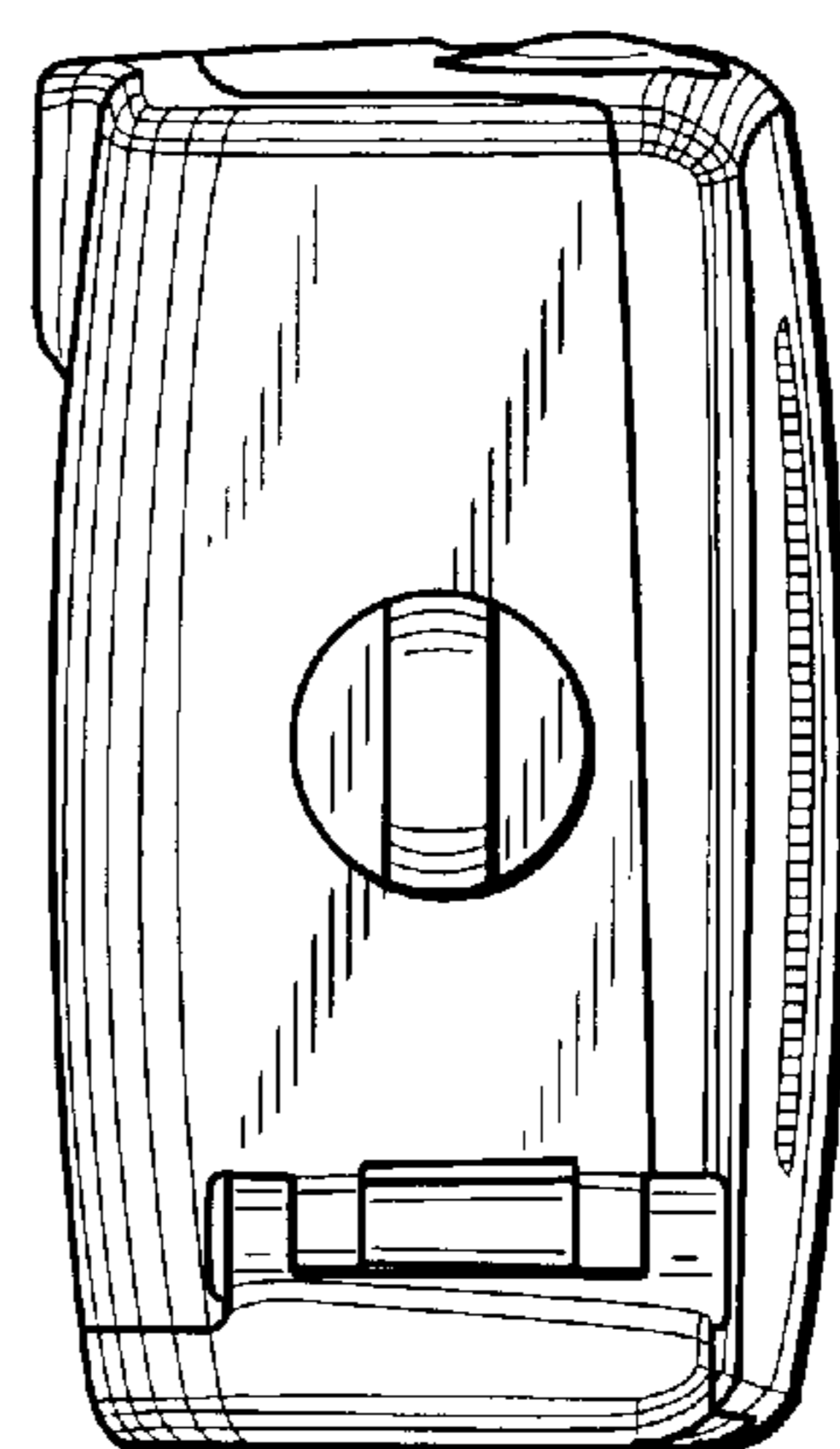


FIG. 8

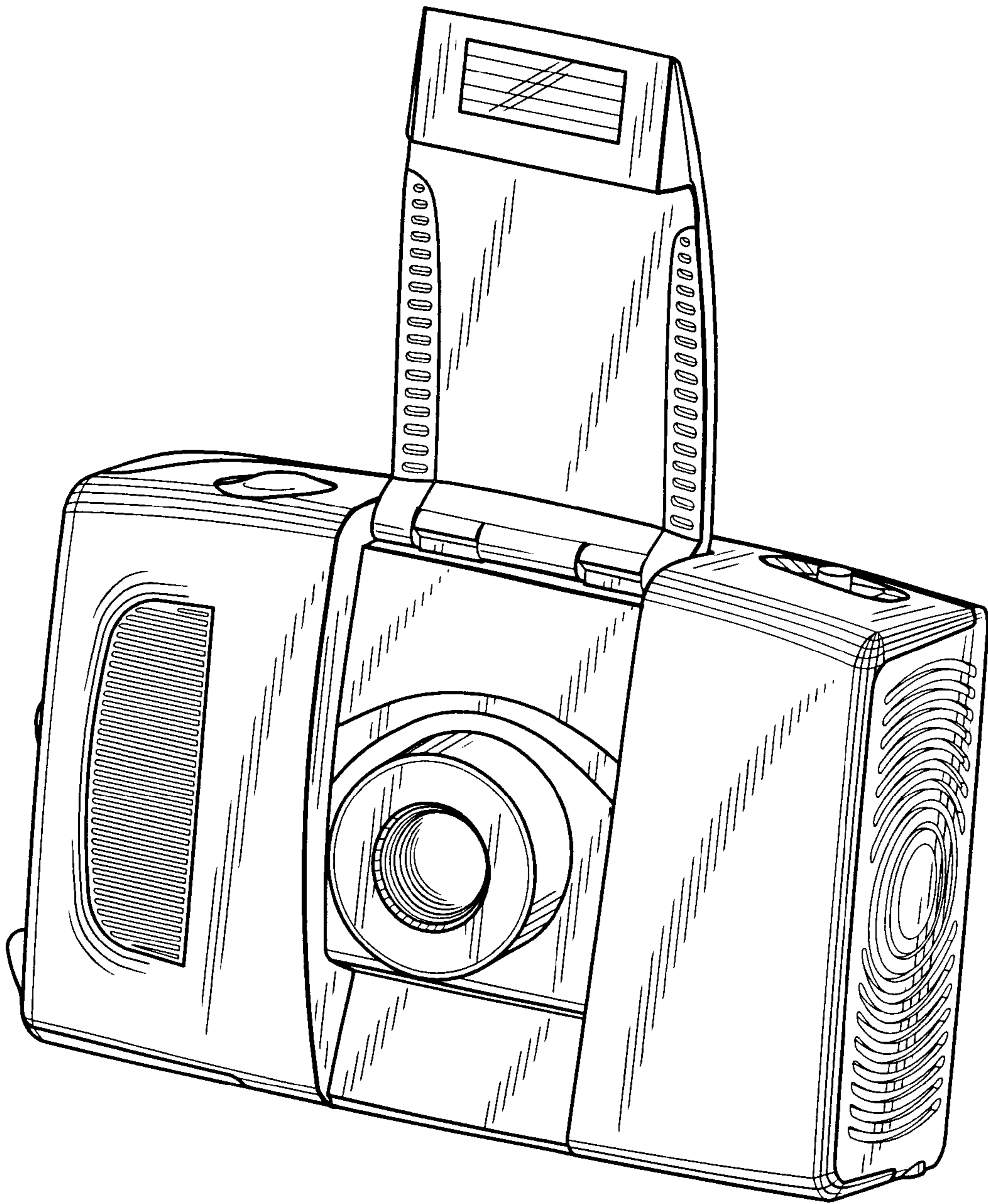


FIG. 9

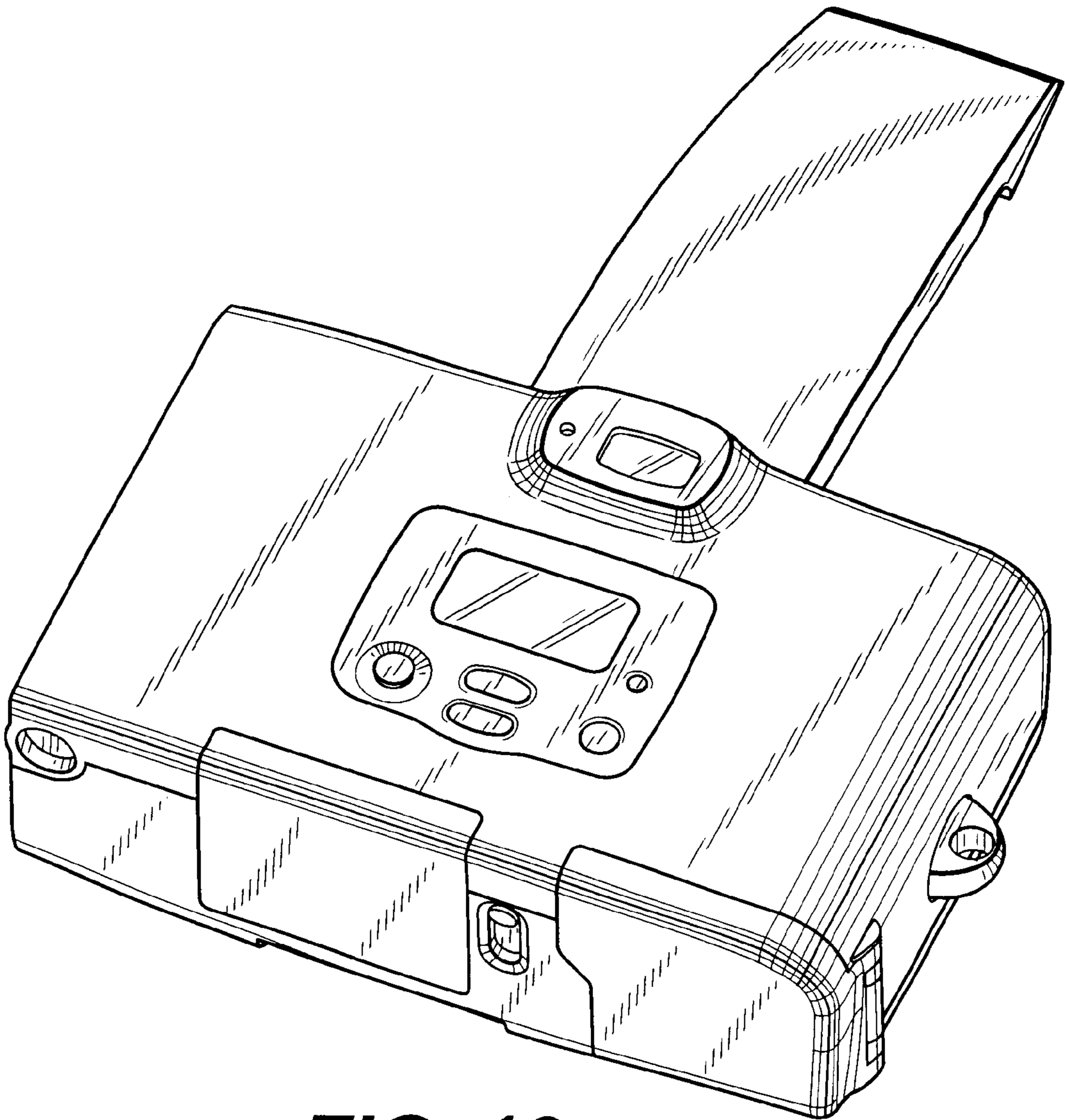


FIG. 10