



US00D454146S

(12) **United States Design Patent**
Mori

(10) **Patent No.:** **US D454,146 S**

(45) **Date of Patent:** **** Mar. 5, 2002**

(54) **DIGITAL STILL CAMERA**

(75) **Inventor:** **Masakazu Mori, Ehime (JP)**

(73) **Assignee:** **Matsushita Electric Industrial Co., Ltd., Osaka (JP)**

(**) **Term:** **14 Years**

(21) **Appl. No.:** **29/141,581**

(22) **Filed:** **May 8, 2001**

(30) **Foreign Application Priority Data**

Nov. 13, 2000 (JP) 2000-032314

(51) **LOC (7) Cl.** **16-01**

(52) **U.S. Cl.** **D16/202; D16/211**

(58) **Field of Search** **D16/200-205, D16/208, 211, 212, 218; 348/373-376; 358/906, 909.1; 396/535-541**

(56) **References Cited**

U.S. PATENT DOCUMENTS

D355,921 S * 2/1995 Crouch et al. D16/202
D386,505 S * 11/1997 Maeyama D16/202

D396,869 S * 8/1998 Yamakawa et al. D16/202
D432,151 S * 10/2000 Kawashima D16/202
D433,431 S * 11/2000 Uehara et al. D16/202
D439,921 S * 4/2001 Brickus et al. D16/211

* cited by examiner

Primary Examiner—Adir Aronovich

(74) *Attorney, Agent, or Firm*—Christensen O'Connor Johnson Kindness PLLC

(57) **CLAIM**

The ornamental design for a digital still camera, as shown and described.

DESCRIPTION

FIG. 1 is a perspective view of the top, front and right side of a digital still camera showing my new design;
FIG. 2 is a front view thereof;
FIG. 3 is a rear view thereof;
FIG. 4 is a top plan view thereof;
FIG. 5 is a bottom view thereof;
FIG. 6 is a left side view thereof; and,
FIG. 7 is a right side view thereof.

1 Claim, 4 Drawing Sheets

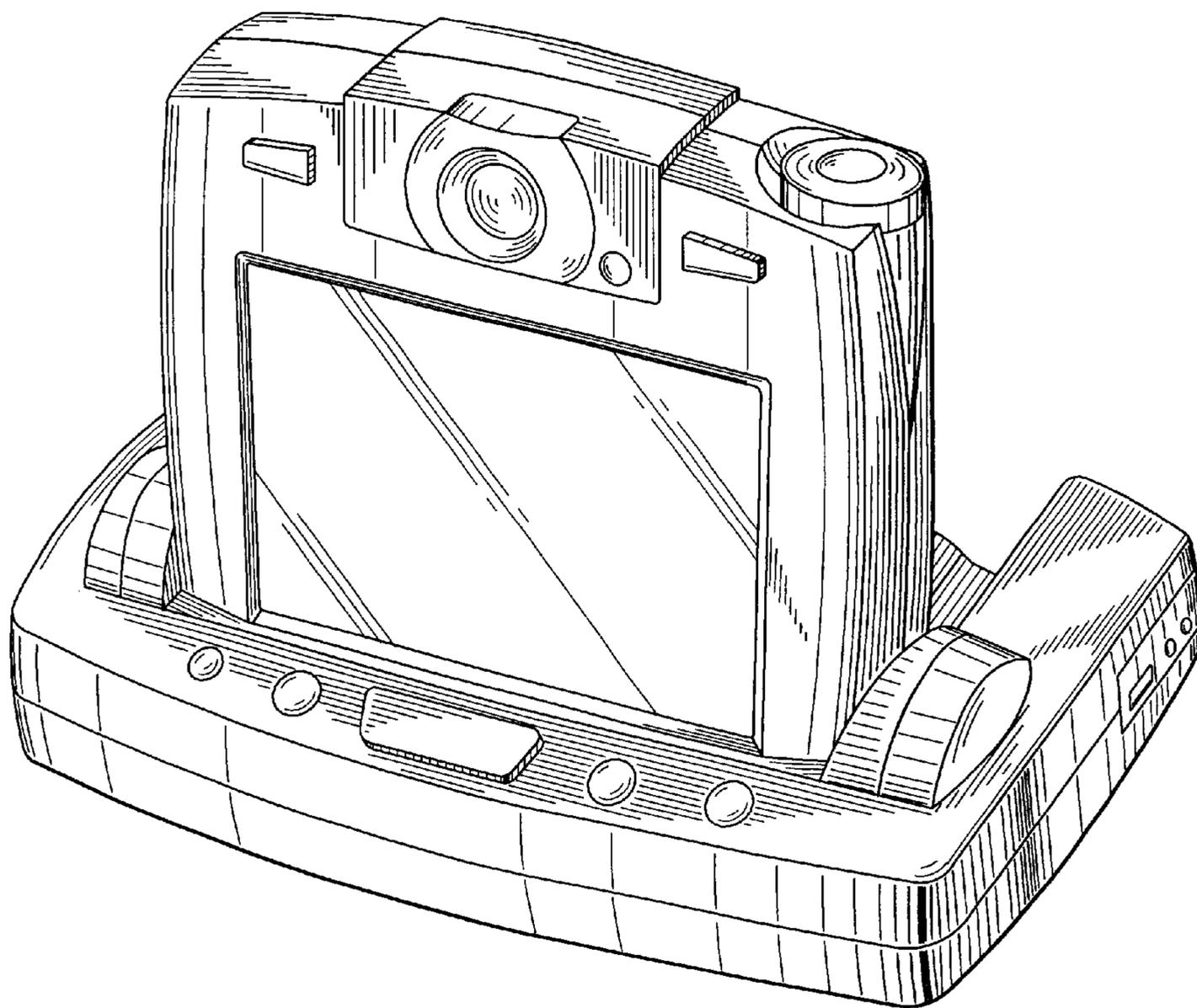


Fig. 1

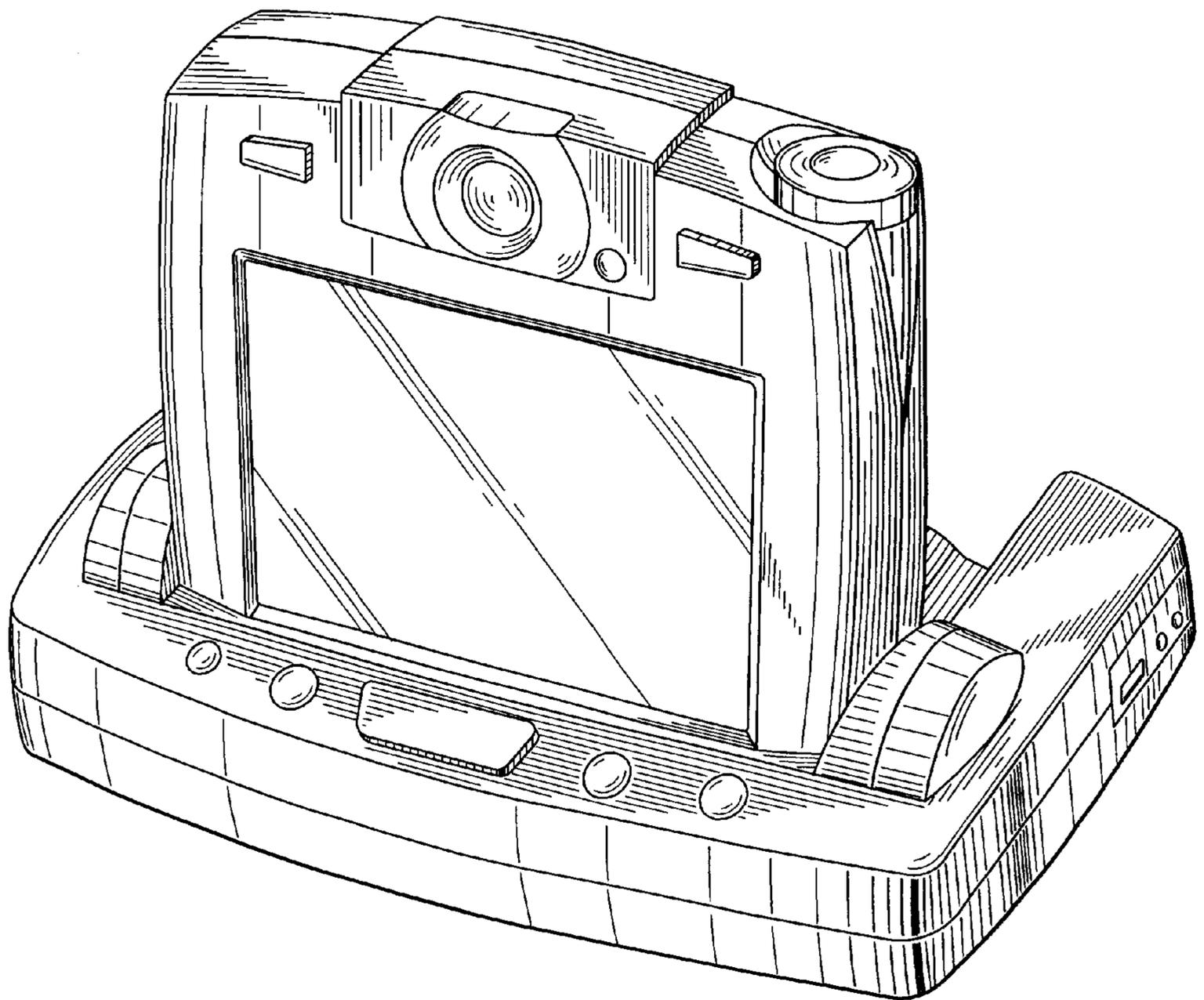


Fig. 2

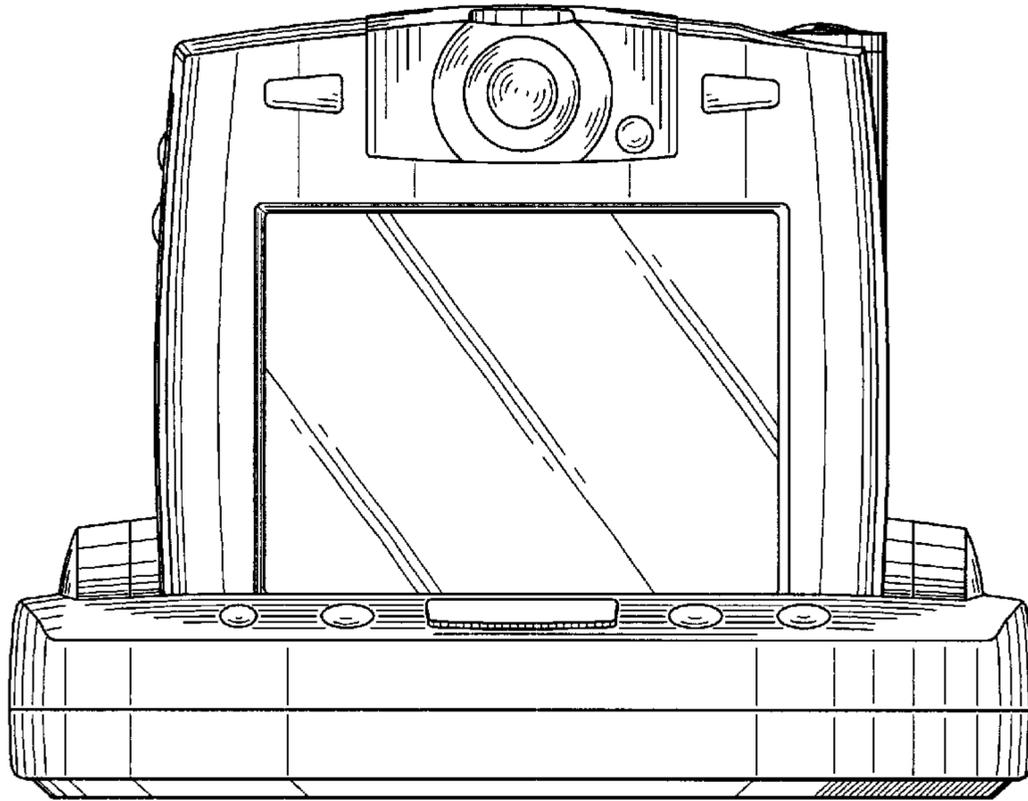


Fig. 3

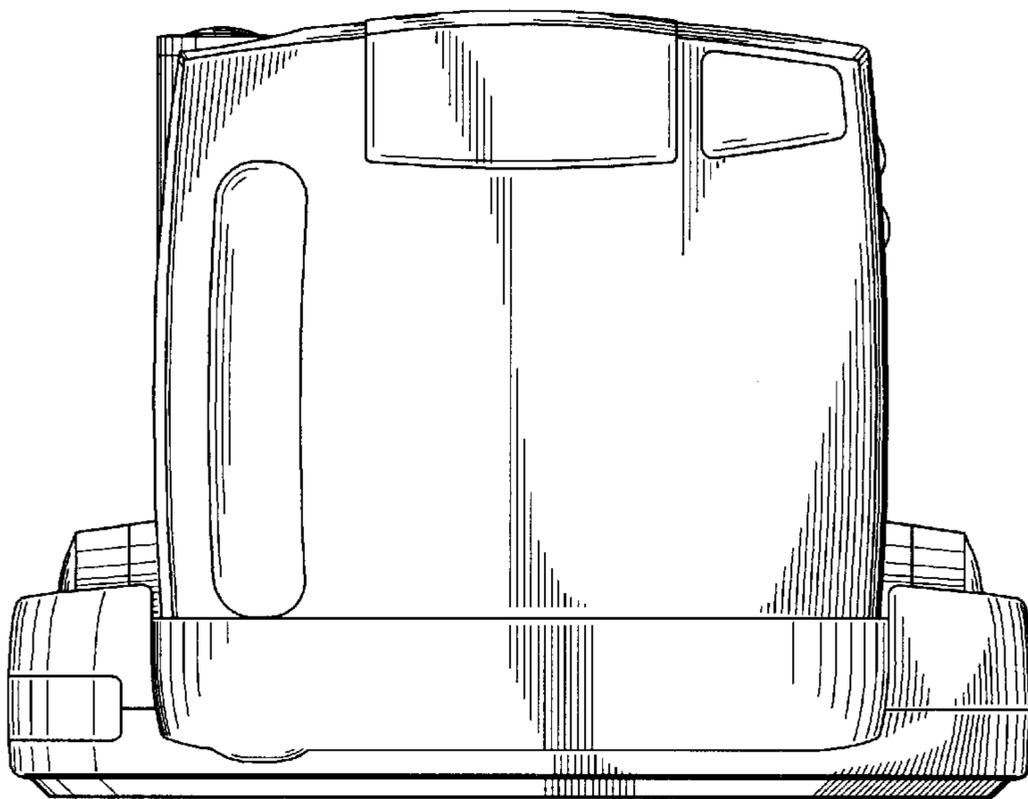


Fig. 4

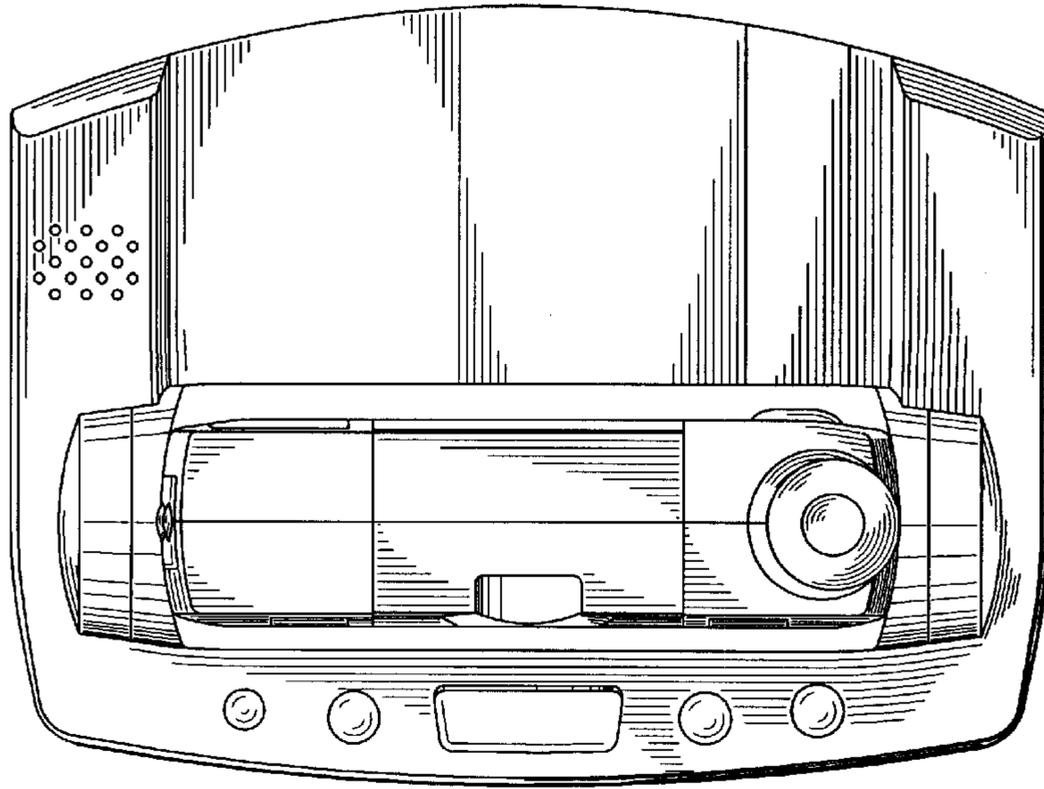


Fig. 5

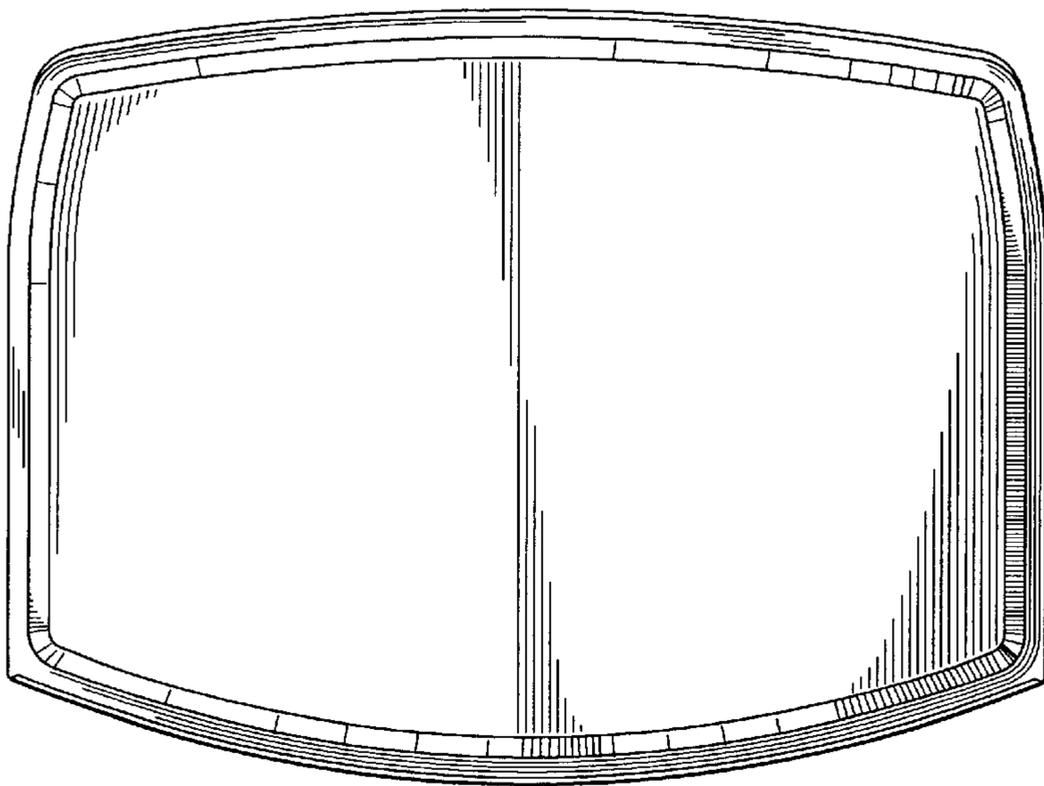


Fig. 6

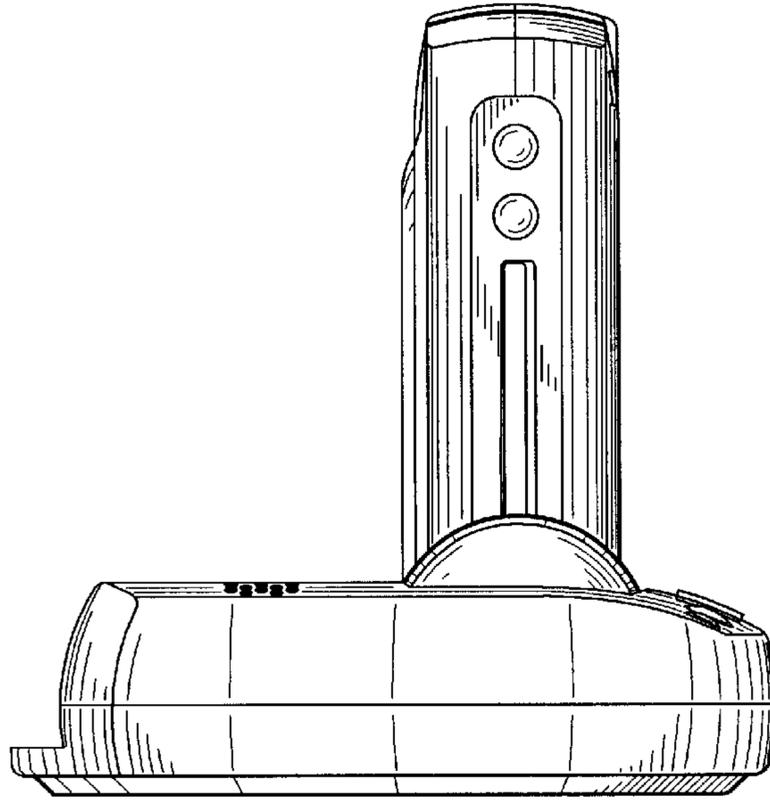
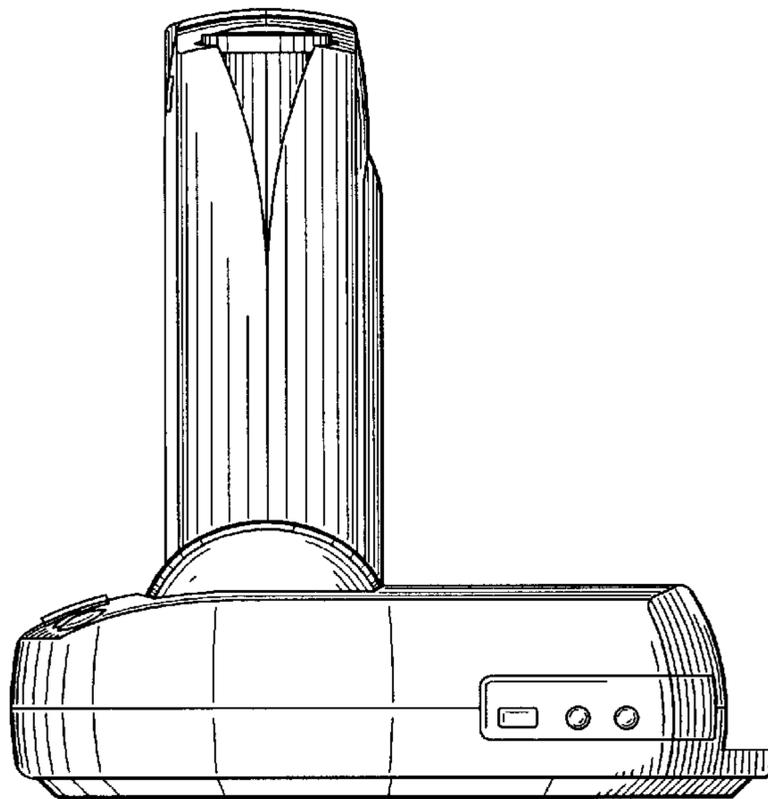


Fig. 7



UNITED STATES PATENT AND TRADEMARK OFFICE
CERTIFICATE OF CORRECTION

PATENT NO. : Des 454,146 S
DATED : March 5, 2002
INVENTOR(S) : M. Mori

Page 1 of 1

It is certified that error appears in the above-identified patent and that said Letters Patent is hereby corrected as shown below:

Title page,

Item [56], **References Cited**, OTHER PUBLICATIONS, insert in appropriate order:

-- OTHER PUBLICATIONS

Catalogue of SHARP's "VN-EZ5" issued in Mar.
2000. --

Signed and Sealed this

Eighteenth Day of June, 2002

Attest:



Attesting Officer

JAMES E. ROGAN
Director of the United States Patent and Trademark Office