



US00D454145S

(12) **United States Design Patent**
Huang

(10) **Patent No.:** **US D454,145 S**

(45) **Date of Patent:** **** Mar. 5, 2002**

(54) **LENS FOR CAMERA CONTROL MONITOR**

(76) **Inventor:** **Chun-Ru Huang**, P.O. Box No.6-57,
Chung-Ho City, Taipei Hsien 235 (TW)

(**) **Term:** **14 Years**

(21) **Appl. No.:** **29/143,757**

(22) **Filed:** **Jun. 20, 2001**

(51) **LOC (7) Cl.** **16-06**

(52) **U.S. Cl.** **D16/134**

(58) **Field of Search** D16/130, 131,
D16/134, 136; 359/811, 815, 819, 826,
827, 703, 704, 823, 696, 699; 348/357,
358, 375; 352/140; 362/253, 285, 396,
430

(56) **References Cited**

U.S. PATENT DOCUMENTS

D119,256 S * 3/1940 Darling D16/134 X
D183,254 S * 7/1958 Gebele D16/134
3,347,985 A * 10/1967 Barr et al. 352/140

D223,215 S * 3/1972 Takata D16/134
4,236,794 A * 12/1980 Gordon 352/140
D286,644 S * 11/1986 Burr D16/134
D303,268 S * 9/1989 Yamamoto D16/134
D338,028 S * 8/1993 Takahashi D16/134
D447,159 S * 8/2001 Yoneda D16/131

* cited by examiner

Primary Examiner—Paula A. Mortimer

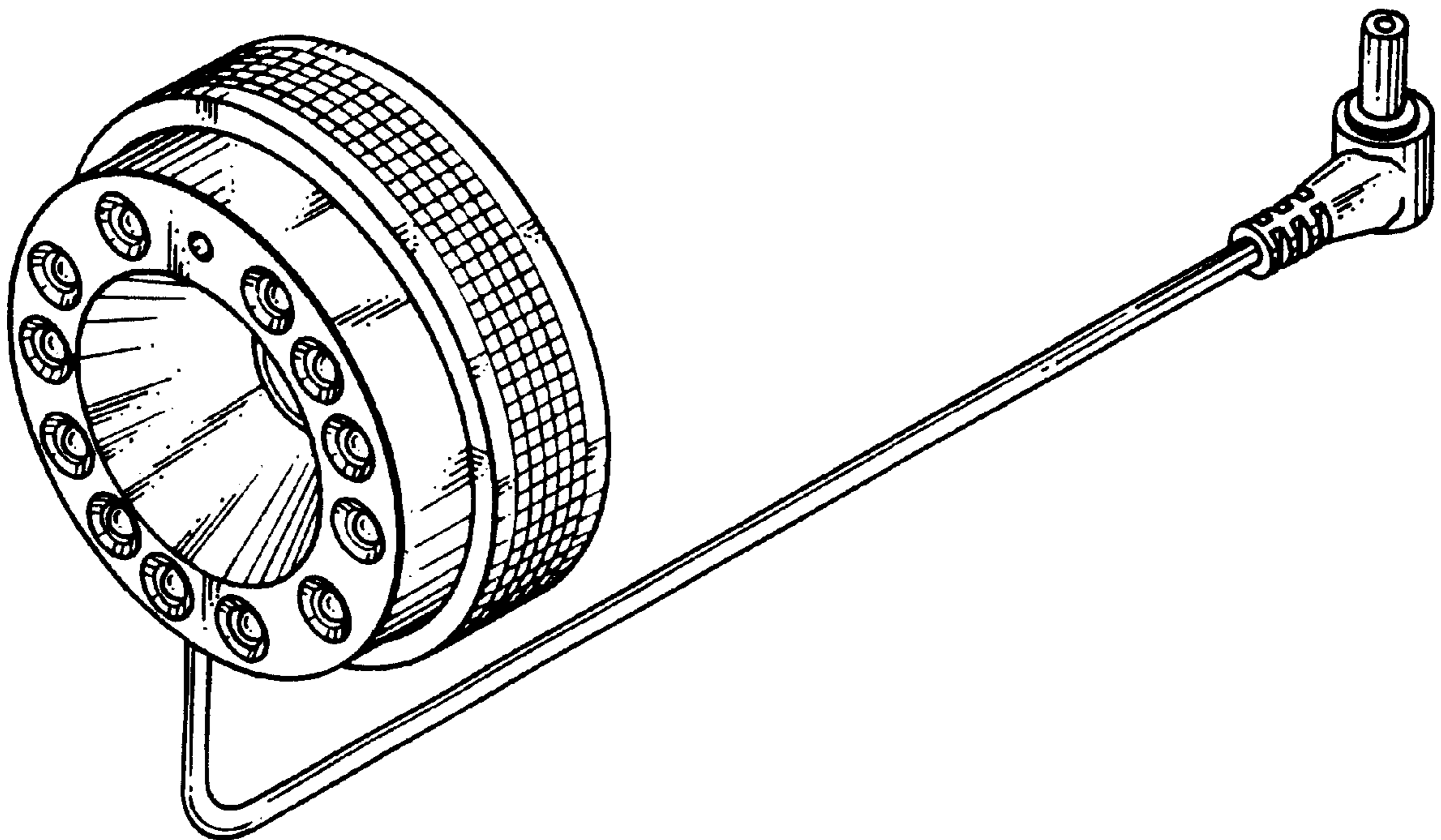
(57) **CLAIM**

The ornamental design for a lens for camera control monitor,
as shown and described.

DESCRIPTION

FIG. 1 is a perspective view thereof;
FIG. 2 is a front view thereof;
FIG. 3 is a back view thereof;
FIG. 4 is a right side view thereof;
FIG. 5 is a left side view thereof;
FIG. 6 is a top view thereof; and,
FIG. 7 is a bottom view thereof.

1 Claim, 4 Drawing Sheets



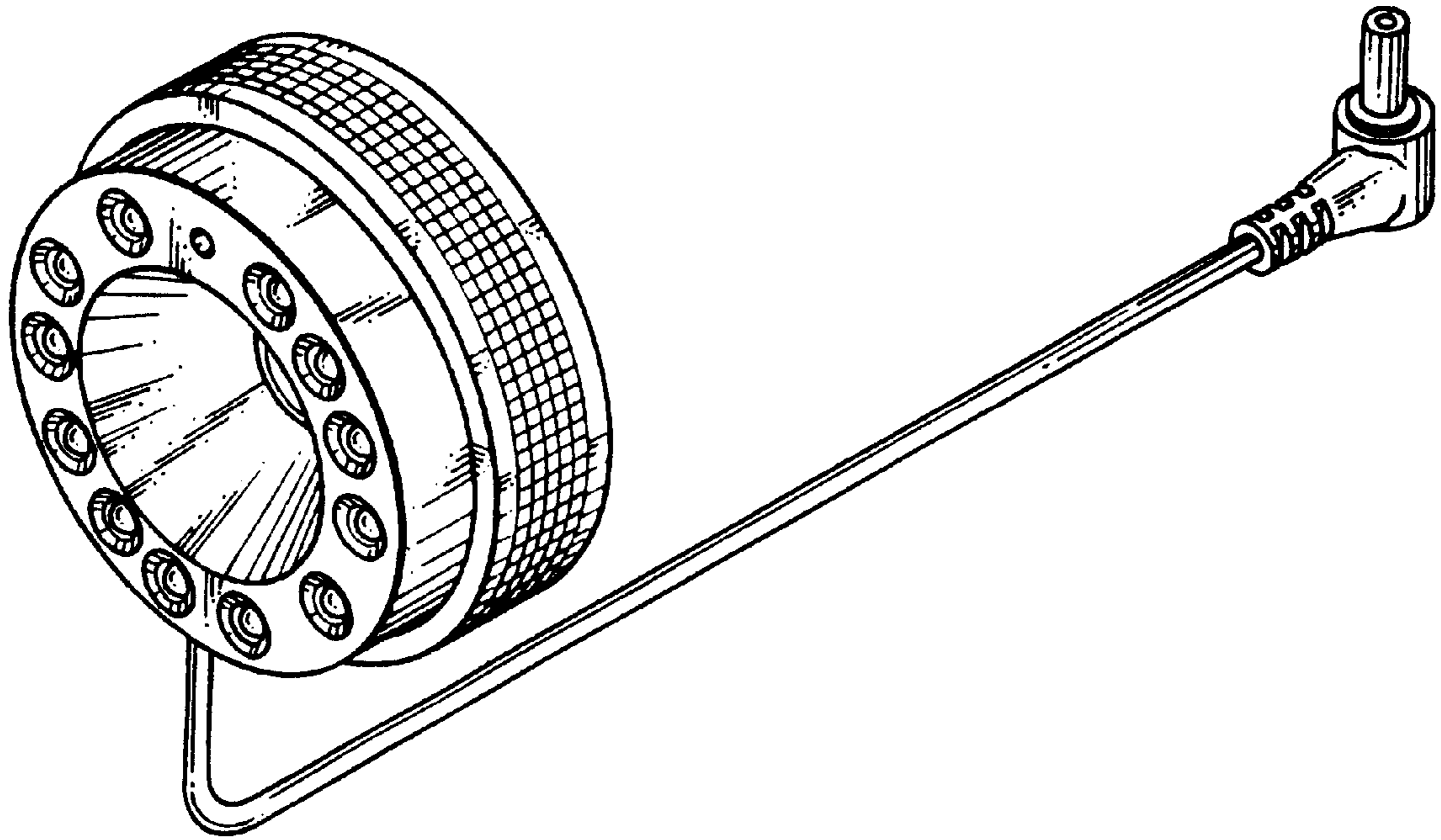


FIG. 1

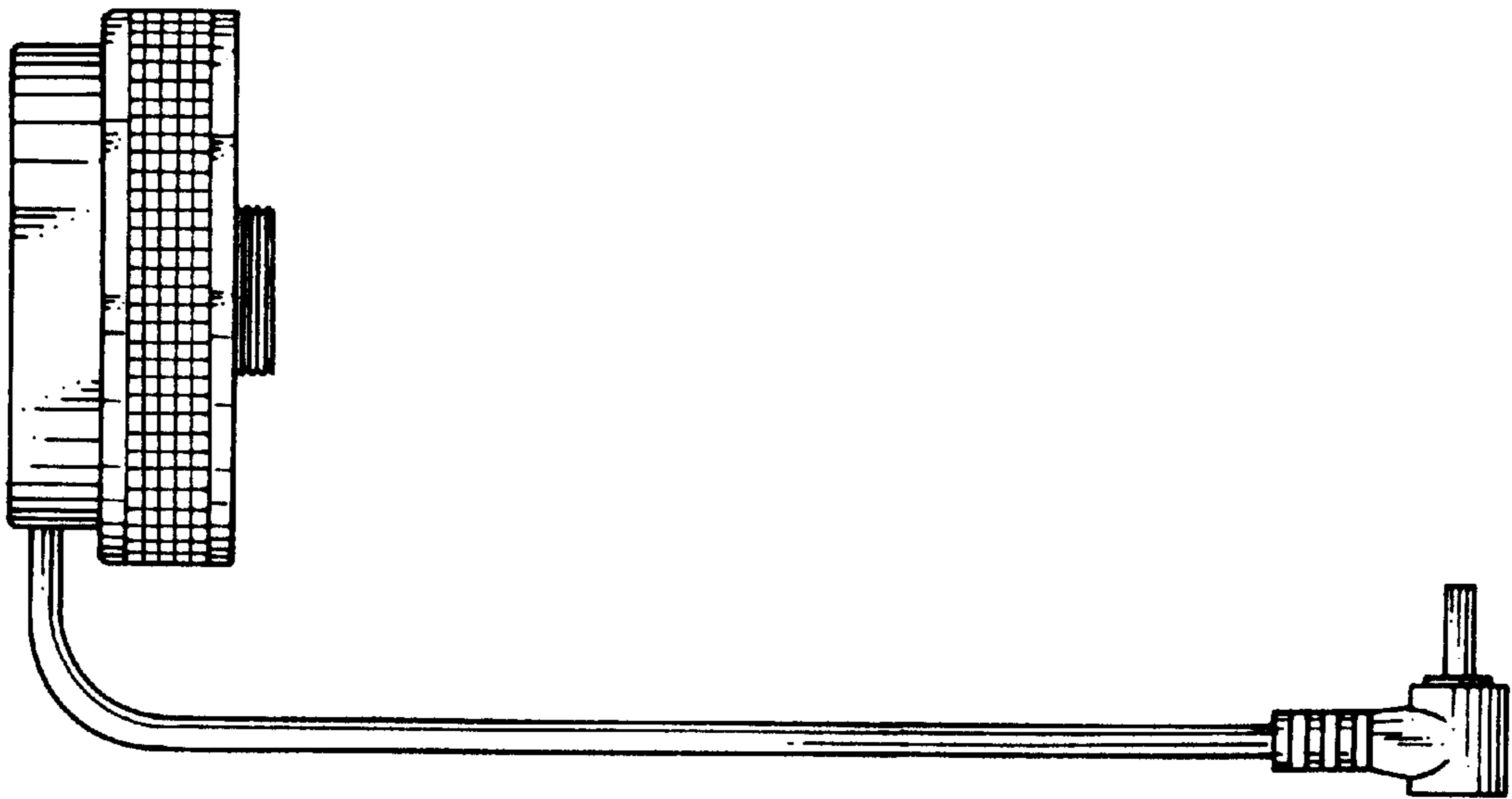


FIG. 2

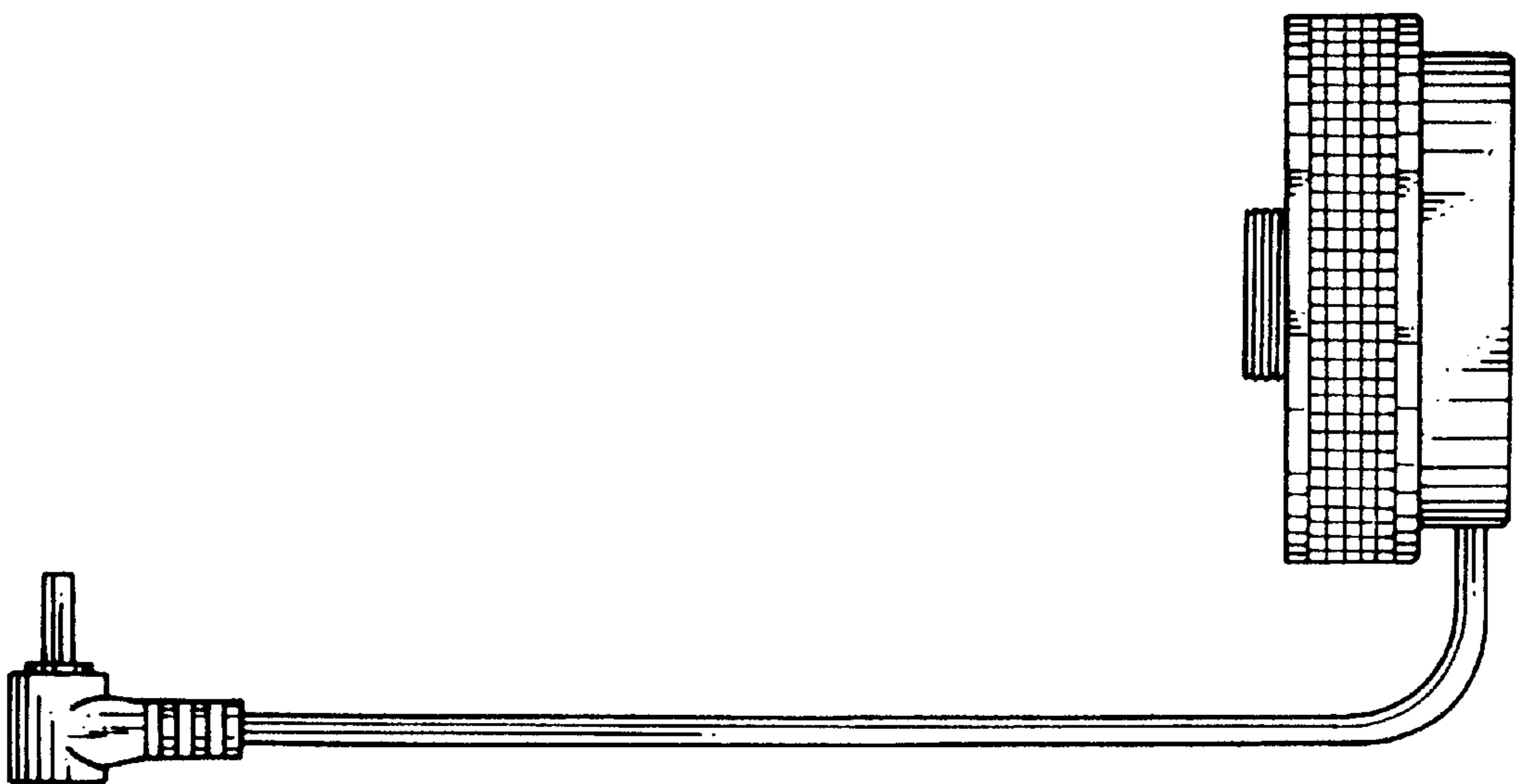


FIG. 3

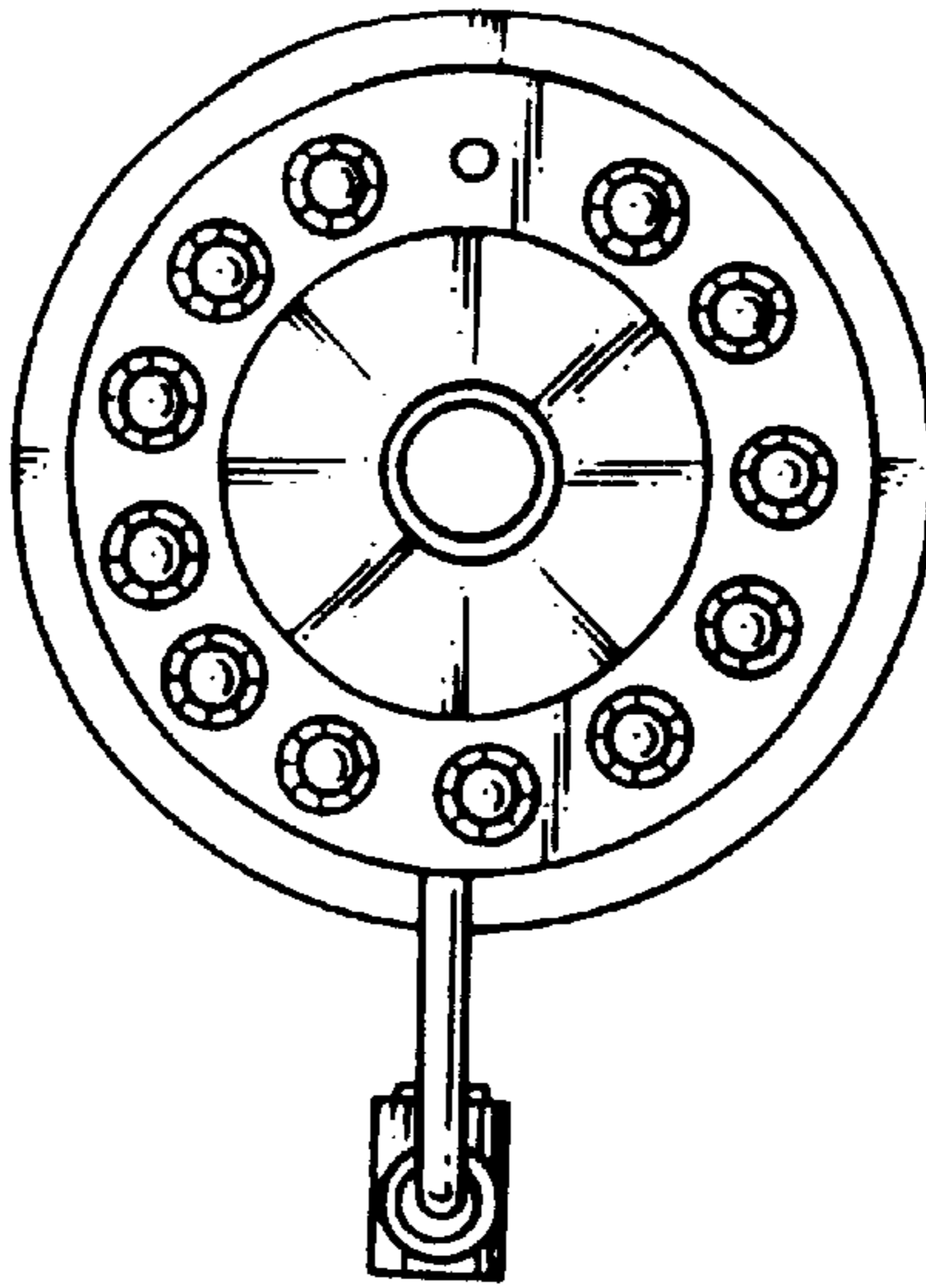


FIG. 4

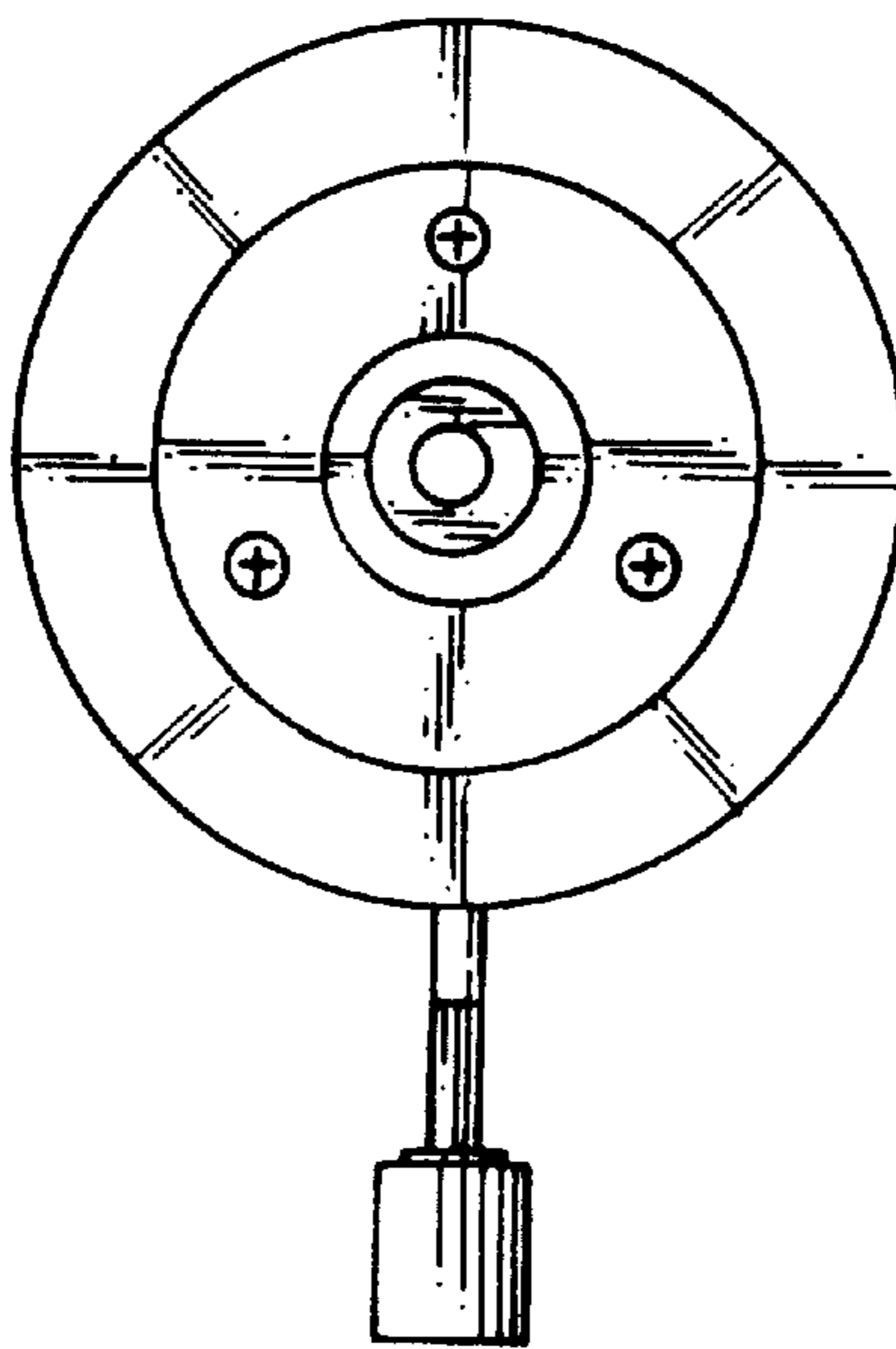


FIG. 5

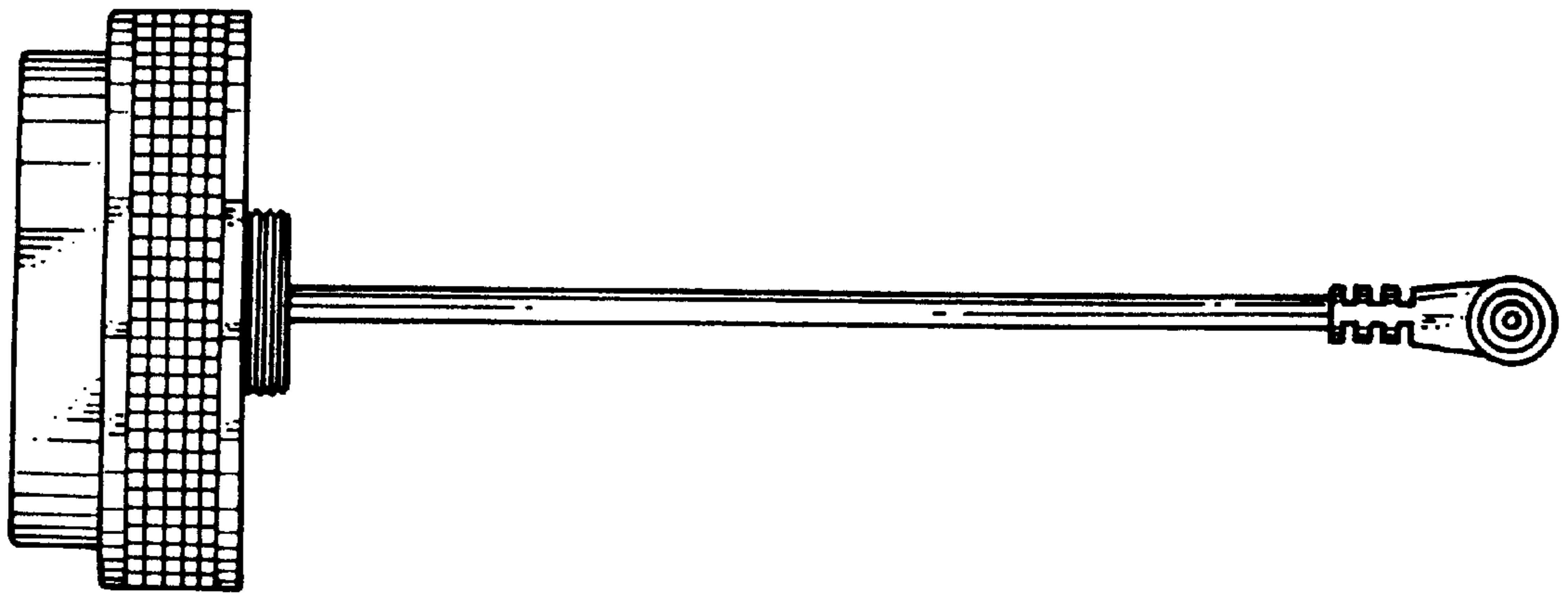


FIG. 6

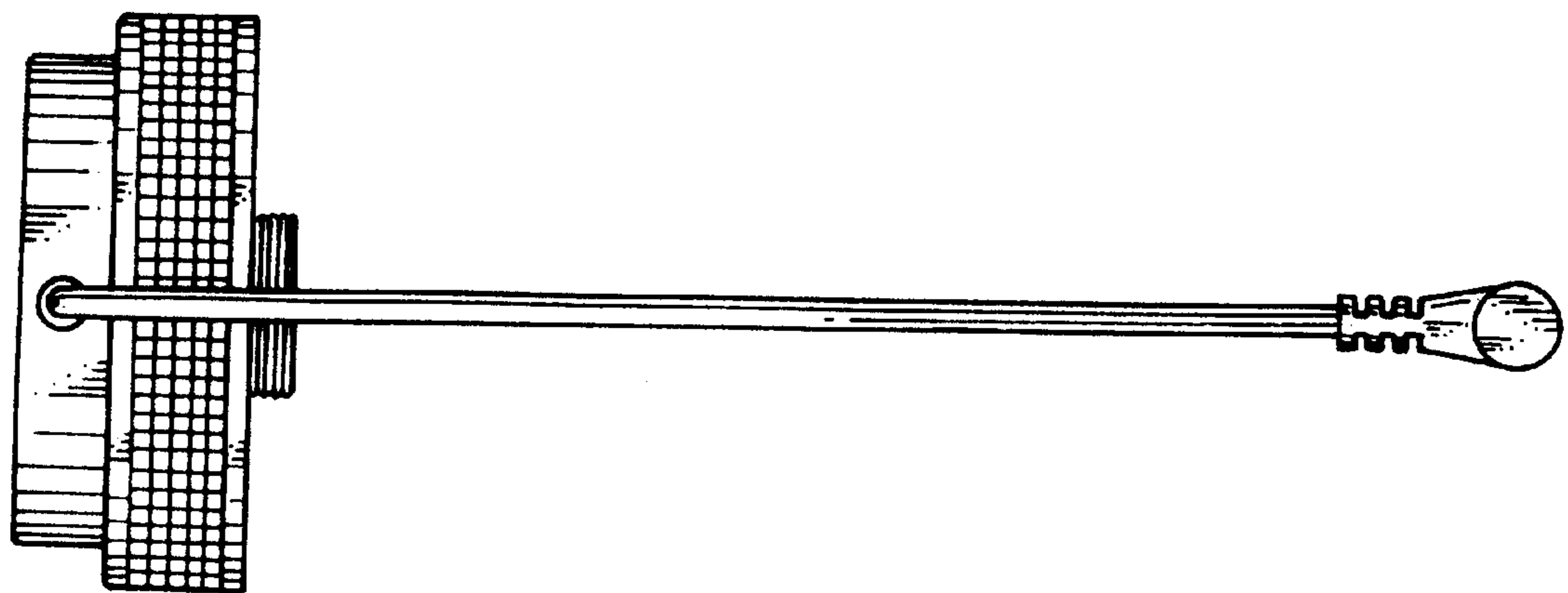


FIG. 7